



US00D781630S

(12) **United States Design Patent**  
**Finucane**

(10) **Patent No.:** **US D781,630 S**

(45) **Date of Patent:** **\*\* Mar. 21, 2017**

(54) **TABLE**

(71) Applicant: **ABLE TABLE LTD.**, Athboy, County Meath (IE)

(72) Inventor: **Martin Finucane**, Athboy (IE)

(73) Assignee: **Able Table LTD.**, Athboy, County Meath (IE)

(\*\*) Term: **14 Years**

(21) Appl. No.: **29/524,893**

(22) Filed: **Apr. 24, 2015**

(30) **Foreign Application Priority Data**

Apr. 17, 2015 (EM) ..... 002683805-0001

(51) **LOC (10) Cl.** ..... **06-06**

(52) **U.S. Cl.**  
USPC ..... **D6/707.22**

(58) **Field of Classification Search**  
USPC ..... D6/685, 686, 688, 692, 696, 697, 702,  
D6/707, 707.1, 707.2, 707.22; D21/397  
CPC ..... A47B 7/00; A47B 9/00; A47B 2009/006;  
A47B 13/00; A47B 13/003; A47B 13/08;  
A47B 13/088

See application file for complete search history.

(56) **References Cited**

U.S. PATENT DOCUMENTS

D256,413 S *	8/1980	Barnes	.....	D6/688
D513,948 S *	1/2006	Martin	.....	D7/600.4
D568,945 S *	5/2008	Painter	.....	D21/397
D612,636 S *	3/2010	Auberger	.....	D6/696
D651,028 S *	12/2011	Grimaldi	.....	D6/707.2

\* cited by examiner

*Primary Examiner* — Mary Ann Calabrese

(74) *Attorney, Agent, or Firm* — Warner Norcross & Judd LLP

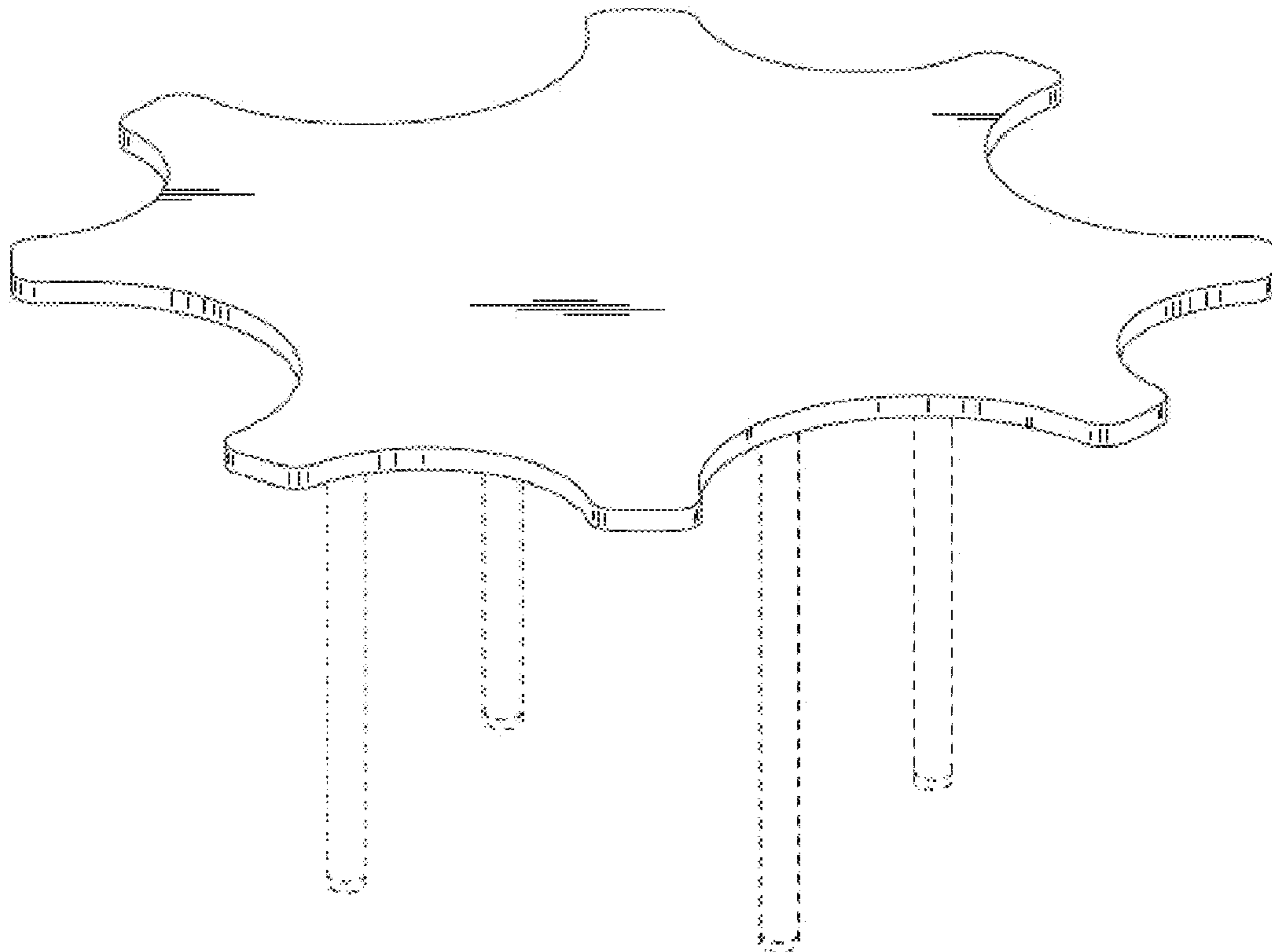
(57) **CLAIM**

The ornamental design for a table, as shown and described.

**DESCRIPTION**

FIG. 1 is a perspective view of a table;  
FIG. 2 is a top plan view thereof;  
FIG. 3 is a bottom plan view thereof; and,  
FIG. 4 is a right side elevation view thereof, which is identical to the left side elevation view thereof.  
The broken lines represent portions of the structure that forms no part of the claim.

**1 Claim, 4 Drawing Sheets**



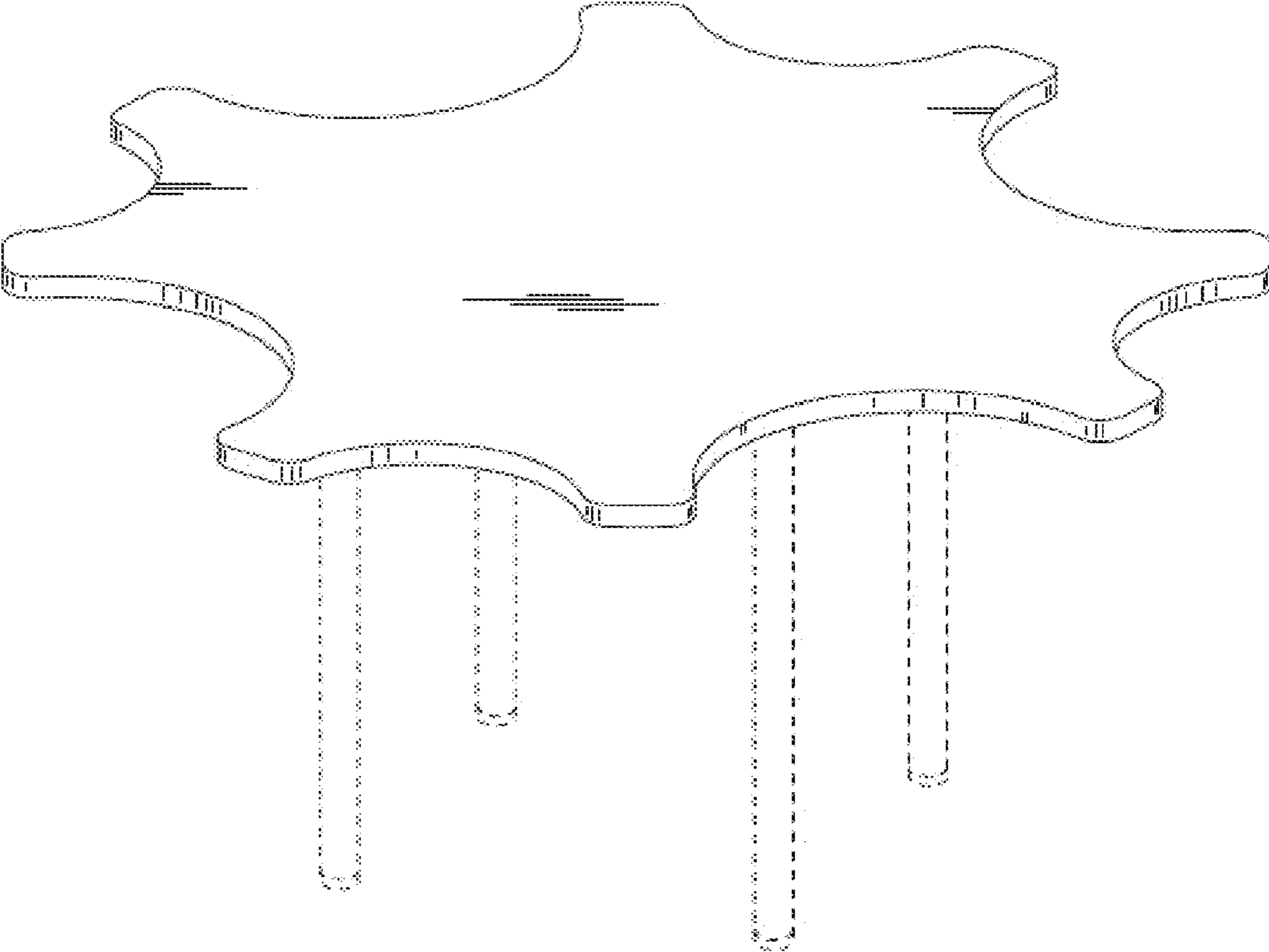


FIG. 1

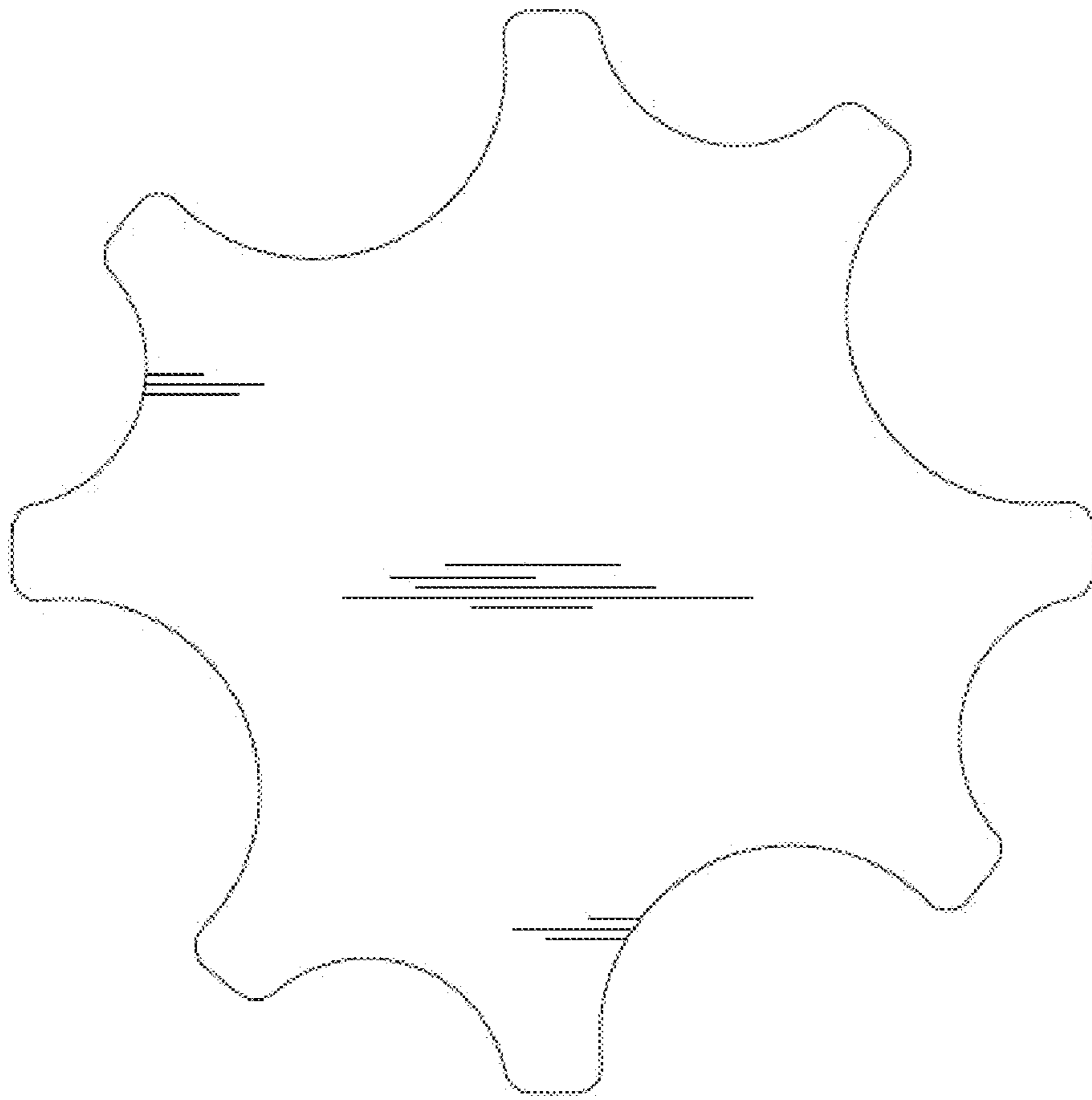


FIG. 2

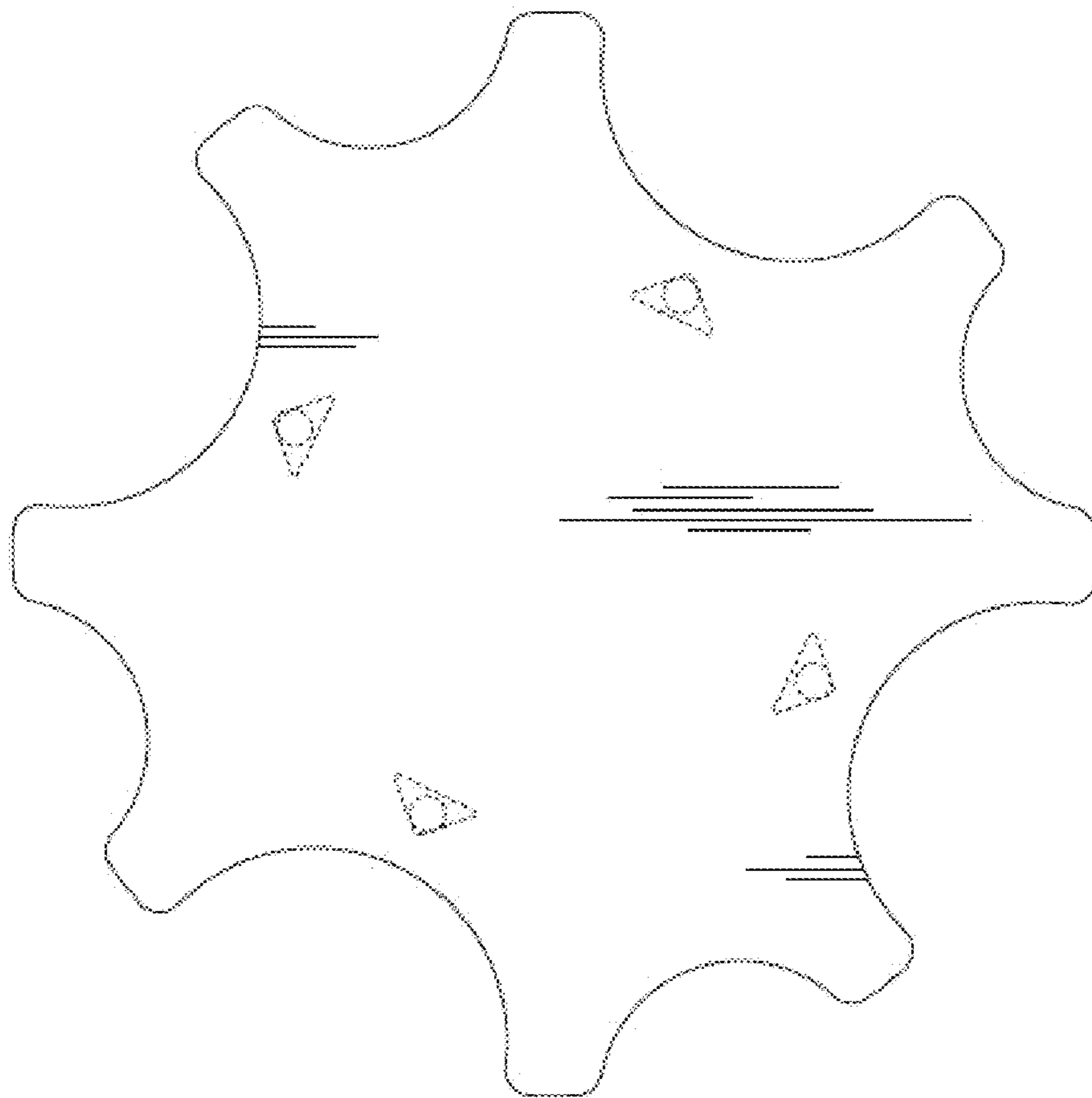


FIG. 3

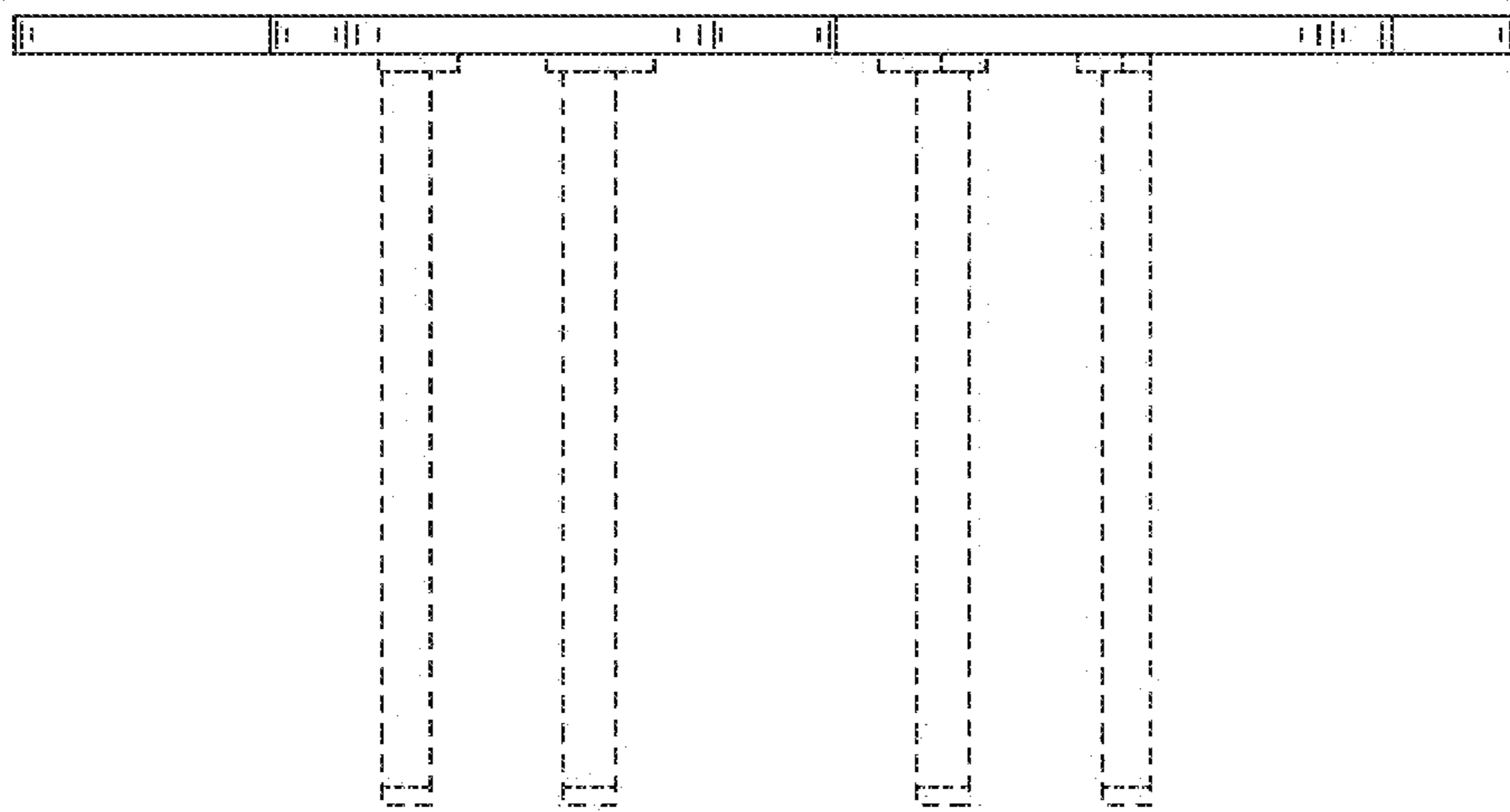


FIG. 4