



US00D781627S

(12) **United States Design Patent**  
**Culdice**

(10) **Patent No.:** **US D781,627 S**

(45) **Date of Patent:** **\*\* Mar. 21, 2017**

(54) **RING FOR FURNITURE EMBEDDED CAVITY**

(71) Applicant: **Collin Culdice**, Lakeside, MT (US)

(72) Inventor: **Collin Culdice**, Lakeside, MT (US)

(73) Assignee: **Blue Snow Montana, Inc.**, Seattle, WA (US)

(\*\*) Term: **15 Years**

(21) Appl. No.: **29/539,190**

(22) Filed: **Sep. 11, 2015**

(51) **LOC (10) Cl.** ..... **06-01**

(52) **U.S. Cl.**  
USPC ..... **D6/702**

(58) **Field of Classification Search**  
USPC ..... D6/336, 620, 653.16, 653.23, 654.16, D6/654.23, 655.16, 655.23, 656.19, 702; D9/418, 428, 529, 711, 719; D12/419; D21/392, 397; D23/260, 262  
CPC ..... F16L 27/1136; F16L 25/01; E05B 65/44  
See application file for complete search history.

(56) **References Cited**

U.S. PATENT DOCUMENTS

- 3,229,939 A \* 1/1966 Hubbard ..... F21V 17/168  
174/138 G
- 3,753,205 A \* 8/1973 Tuger ..... F16L 25/01  
174/78
- 3,797,285 A \* 3/1974 Jung ..... E05B 65/44  
70/127
- D244,259 S \* 5/1977 Bergstein ..... D30/101
- D285,044 S \* 8/1986 Mockett ..... D8/349
- 4,648,602 A \* 3/1987 Maroney ..... A63F 9/0402  
273/146
- D296,725 S \* 7/1988 Iacovelli ..... D12/419

- D306,797 S \* 3/1990 Charet ..... D12/419
- D306,937 S \* 4/1990 Iacovelli ..... D12/419
- 5,281,878 A \* 1/1994 Schaeffer ..... H02K 7/14  
310/87
- D375,818 S \* 11/1996 Fischer ..... D30/130
- D400,787 S \* 11/1998 Keener ..... D9/504
- D452,620 S \* 1/2002 Wang ..... D6/653.19

(Continued)

*Primary Examiner* — Darlington Ly

*Assistant Examiner* — Daniel J Domino

(74) *Attorney, Agent, or Firm* — Dunlap Bennett & Ludwig PLLC

(57) **CLAIM**

The ornamental design for a ring for furniture embedded cavity, as shown and described.

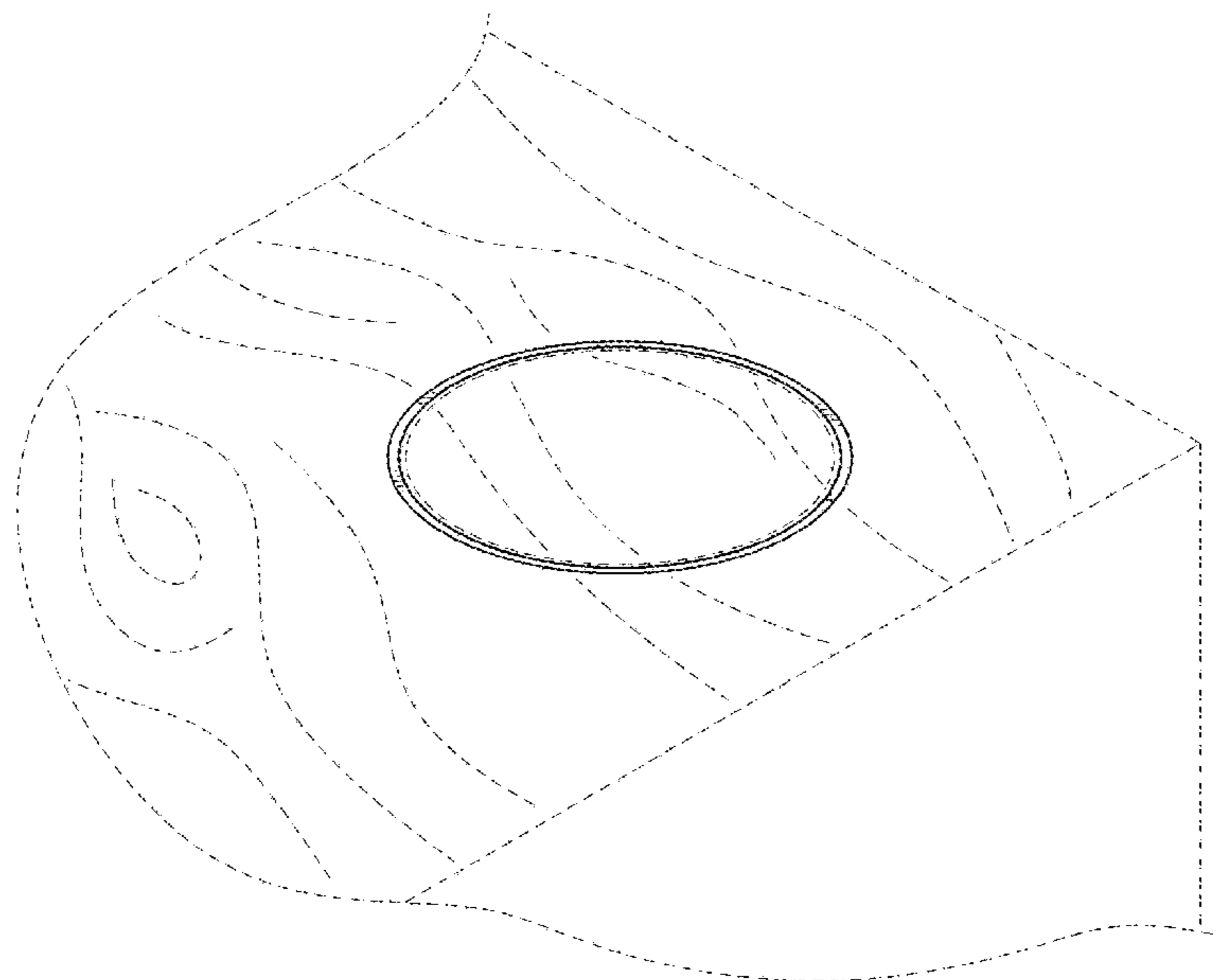
**DESCRIPTION**

FIG. 1 is a front perspective view of a ring for furniture embedded cavity, shown in use;  
 FIG. 2 is an exploded front perspective view thereof;  
 FIG. 3 is an exploded bottom perspective view thereof;  
 FIG. 4 is a front perspective view thereof;  
 FIG. 5 is a front elevational view thereof, the rear, left, and right sides being mirror images thereof;  
 FIG. 6 is a top plan view thereof; and,  
 FIG. 7 is a bottom plan view thereof.

The broken lines shown on the surface of the ring cap illustrate portions of the article, whereas the broken lines showing a furniture surface illustrate environment. None of the broken lines form part of the claimed design.

The cutaway symbols in the drawings indicate a symbolic break in the length of the ring for furniture embedded cavity. The portion of the ring for furniture embedded cavity shown between the cutaway lines in the drawings form no part of the claimed design.

**1 Claim, 4 Drawing Sheets**



(56)

**References Cited**

U.S. PATENT DOCUMENTS

D468,636 S \* 1/2003 Weinstein ..... D9/418  
6,694,566 B1 \* 2/2004 Mockett ..... A47B 21/06  
108/50.02  
6,976,434 B2 \* 12/2005 Roig ..... A47B 25/00  
108/25  
D536,394 S \* 2/2007 Meoli ..... D21/397  
D580,191 S \* 11/2008 Vieira ..... D6/620  
D604,776 S \* 11/2009 Denoual ..... D21/372  
D637,659 S \* 5/2011 Barnwell ..... D21/397  
D651,519 S \* 1/2012 Gibson ..... D9/428  
D651,919 S \* 1/2012 Lai ..... D9/711  
D731,030 S \* 6/2015 Tyler ..... D23/260  
D740,373 S \* 10/2015 Martin ..... D21/397  
D747,618 S \* 1/2016 Berkowitz ..... D6/707.2  
D750,481 S \* 3/2016 Rapparini ..... D9/428  
D763,363 S \* 8/2016 Rottier ..... D21/397  
2007/0095701 A1 \* 5/2007 Montanari ..... B65D 83/04  
206/445

\* cited by examiner

FIG. 1

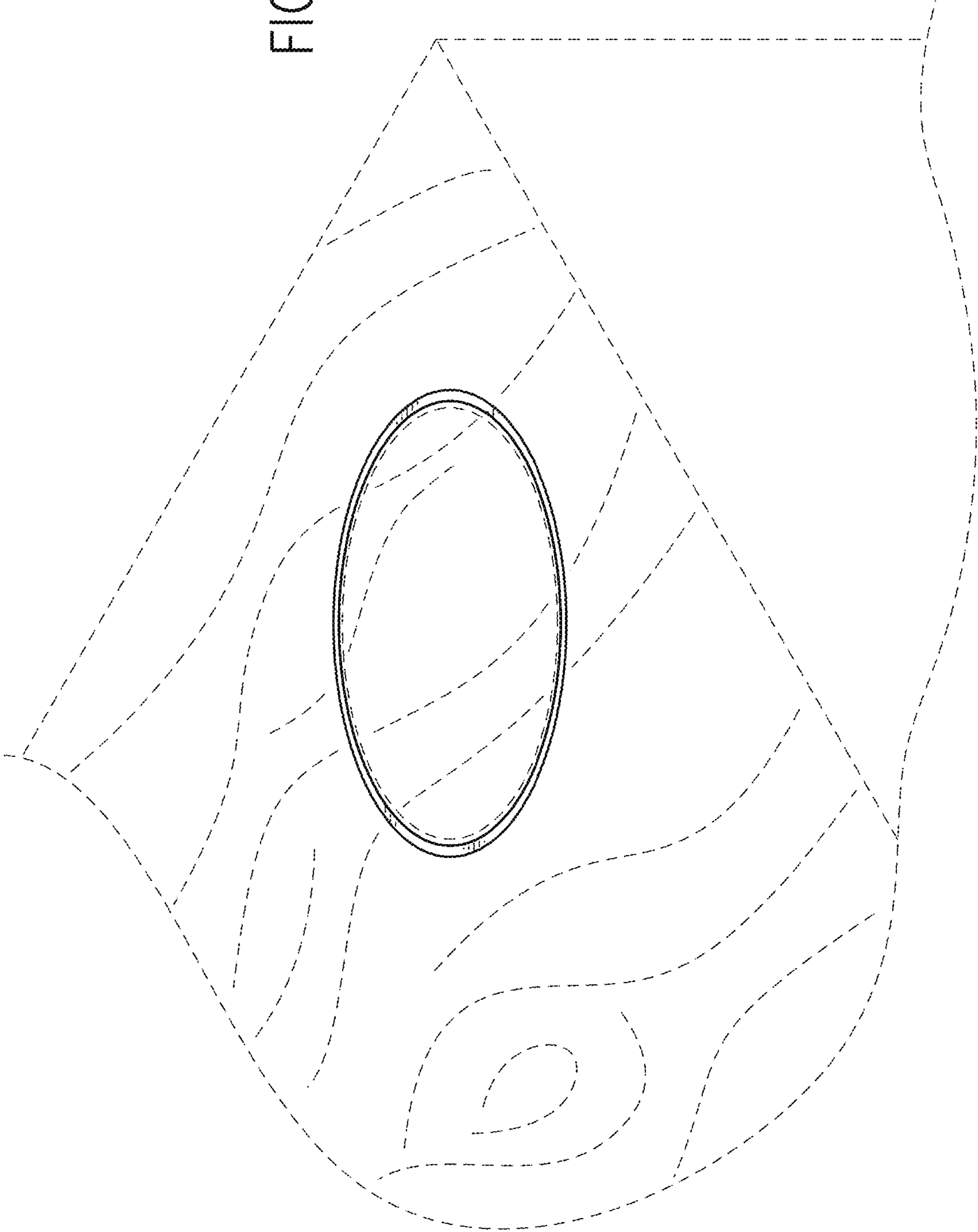


FIG. 2

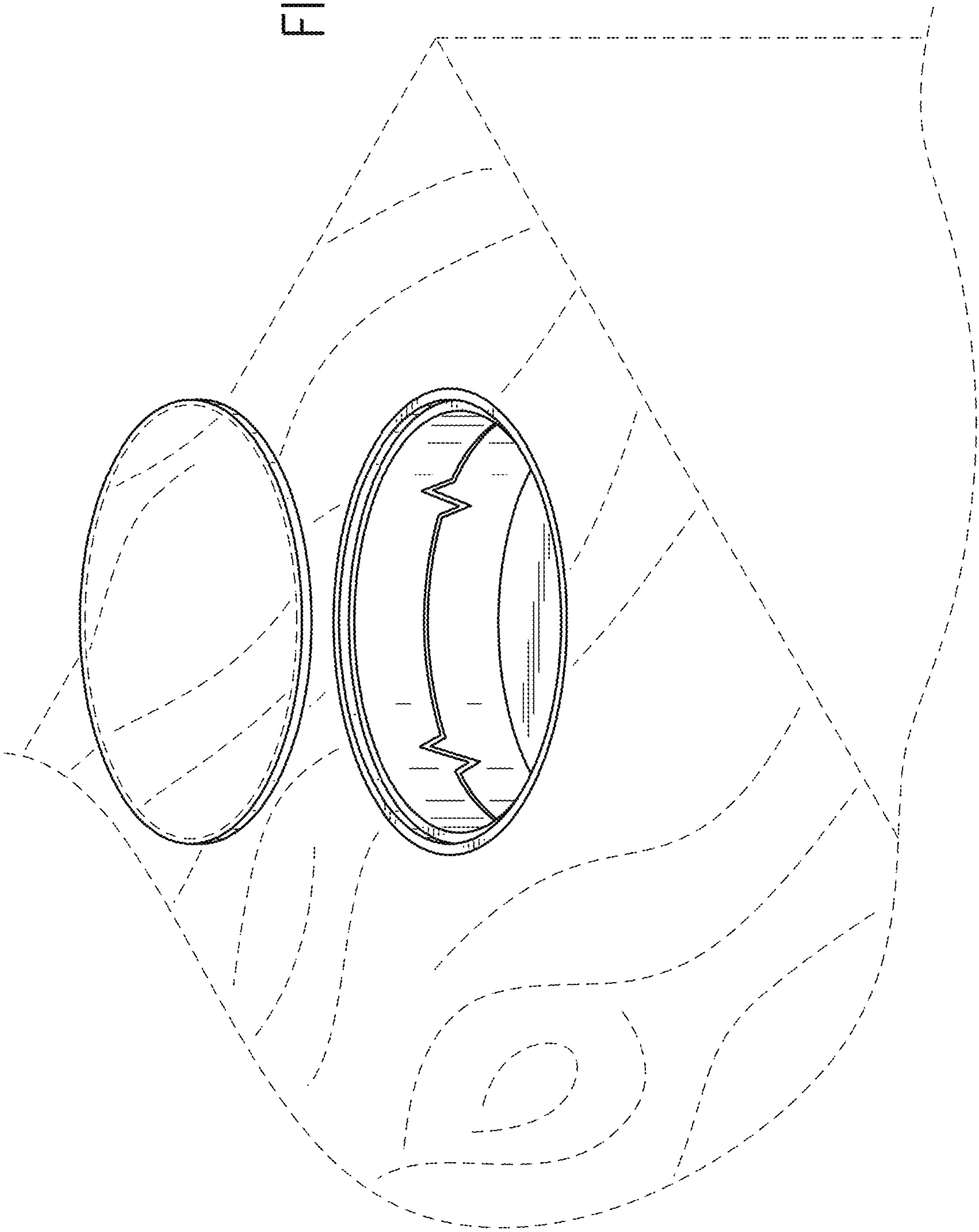


FIG. 4

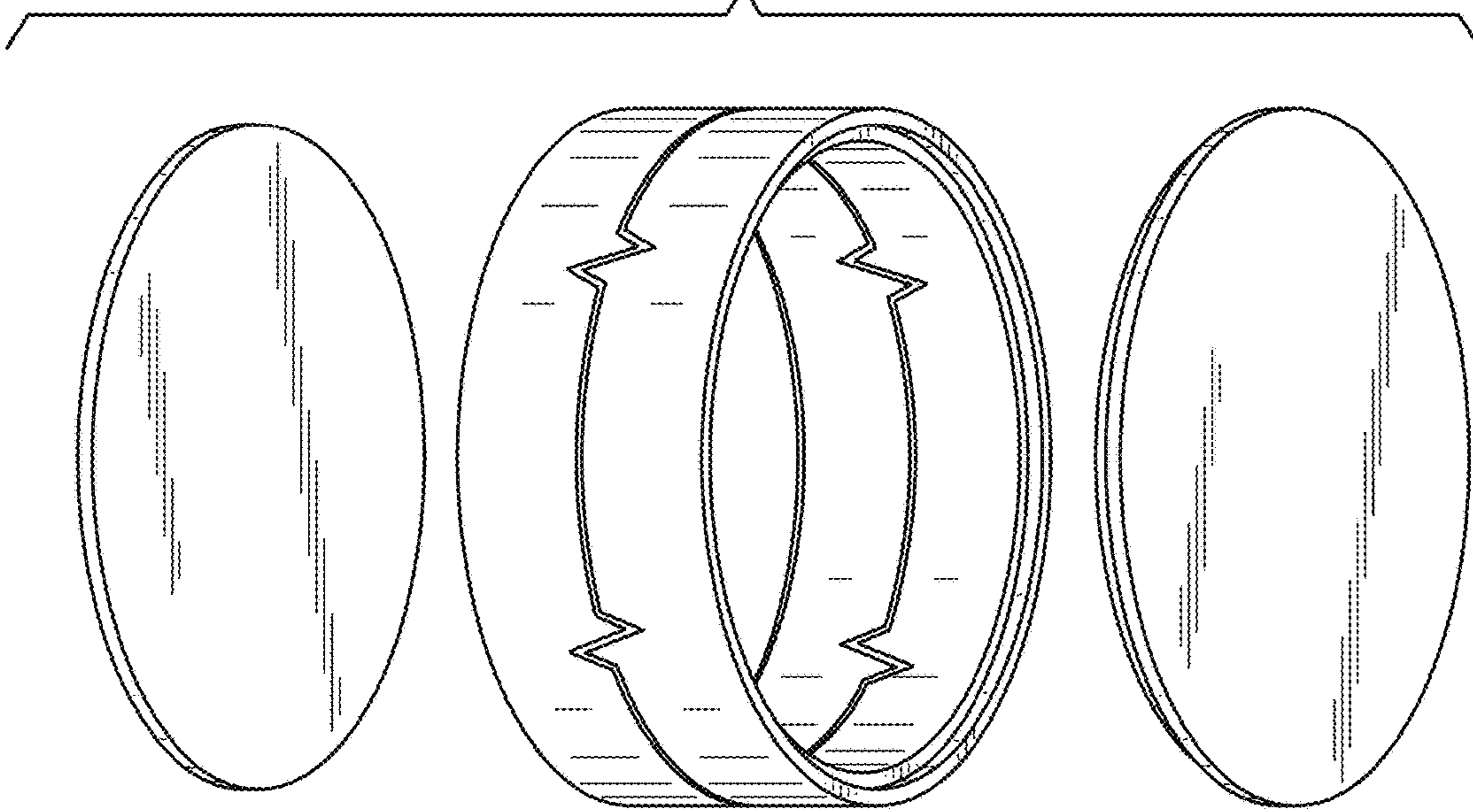


FIG. 3

