



US00D781626S

(12) **United States Design Patent**
Moll

(10) **Patent No.:** **US D781,626 S**
(45) **Date of Patent:** **** Mar. 21, 2017**

(54) **OFFICE TABLE TOP**

- (71) Applicant: **moll Funktionsmobel GmbH**,
Gruibingen (DE)
- (72) Inventor: **Martin Moll**, Bad Boll (DE)
- (73) Assignee: **MOLL FUNKTIONSMOBEL**
GMBH, Gruibingen (DE)
- (**) Term: **15 Years**
- (21) Appl. No.: **29/530,327**
- (22) Filed: **Jun. 16, 2015**
- (30) **Foreign Application Priority Data**

Dec. 19, 2014 (WO) 861445901

(51) **LOC (10) Cl.** **06-04**

(52) **U.S. Cl.**
USPC **D6/691**

(58) **Field of Classification Search**
USPC D6/691, 691.1, 685, 689, 692.4, 688.13,
D6/656.13, 675

(Continued)

(56) **References Cited**

U.S. PATENT DOCUMENTS

D406,709 S * 3/1999 Zarker, Jr. D6/691.1
D501,103 S * 1/2005 Ashby D6/691

(Continued)

Primary Examiner — Robin V Webster

Assistant Examiner — James Thorn, Sr.

(74) *Attorney, Agent, or Firm* — Hoffman & Baron, LLP

(57) **CLAIM**

The ornamental design for an office table top, as shown and described.

DESCRIPTION

FIG. 1 is a top front perspective view of an office table top showing my new design, the dashed lines showing the table legs being for illustrative purposes only and forming no part of the claimed design;

FIG. 2 is a front plan view thereof;

FIG. 3 is a back plan view thereof;

FIG. 4 is a right side plan view thereof;

FIG. 5 is a left side plan view thereof;

FIG. 6 is a top plan view thereof;

FIG. 7 is a bottom plan view thereof;

FIG. 8 is a top perspective view of an alternative embodiment of an office table showing my new design, the dashed lines showing the table legs being for illustrative purposes only and forming no part of the claimed design;

FIG. 9 is a front plan view thereof;

FIG. 10 is a back plan view thereof;

FIG. 11 is a right side plan view thereof;

FIG. 12 is a left side plan view thereof;

FIG. 13 is a top plan view thereof;

FIG. 14 is a bottom plan view thereof;

FIG. 15 is a top perspective view of another alternative embodiment of an office table showing my new design, the dashed lines showing the table legs being for illustrative purposes only and forming no part of the claimed design;

FIG. 16 is a front plan view thereof;

FIG. 17 is a back plan view thereof;

FIG. 18 is a right side plan view thereof;

FIG. 19 is a left side plan view thereof;

FIG. 20 is a top plan view thereof;

FIG. 21 is a bottom plan view thereof;

FIG. 22 is a top perspective view of still another alternative embodiment of an office table showing my new design, the dashed lines showing the table legs being for illustrative purposes only and forming no part of the claimed design;

FIG. 23 is a front plan view thereof;

FIG. 24 is a back plan view thereof;

FIG. 25 is a right side plan view thereof;

FIG. 26 is a left side plan view thereof;

FIG. 27 is a top plan view thereof;

FIG. 28 is a bottom plan view thereof;

FIG. 29 is a top perspective view of still yet another alternative embodiment of an office table showing my new design, the solid shading being used to show contrasting surfaces unlimited by colors, and the dashed lines showing the table legs being for illustrative purposes only and forming no part of the claimed design;

FIG. 30 is a front plan view thereof;

FIG. 31 is a back plan view thereof;

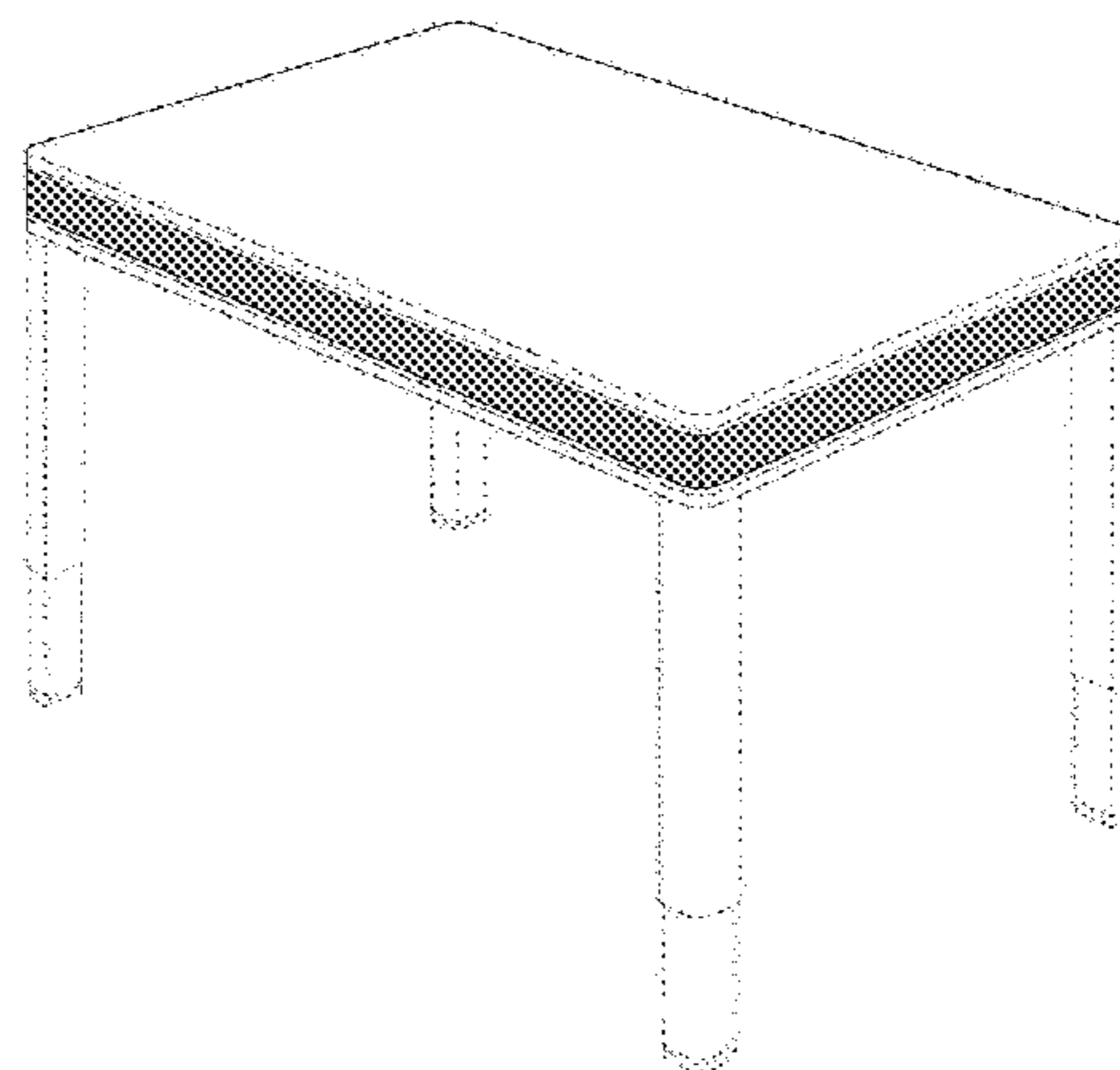
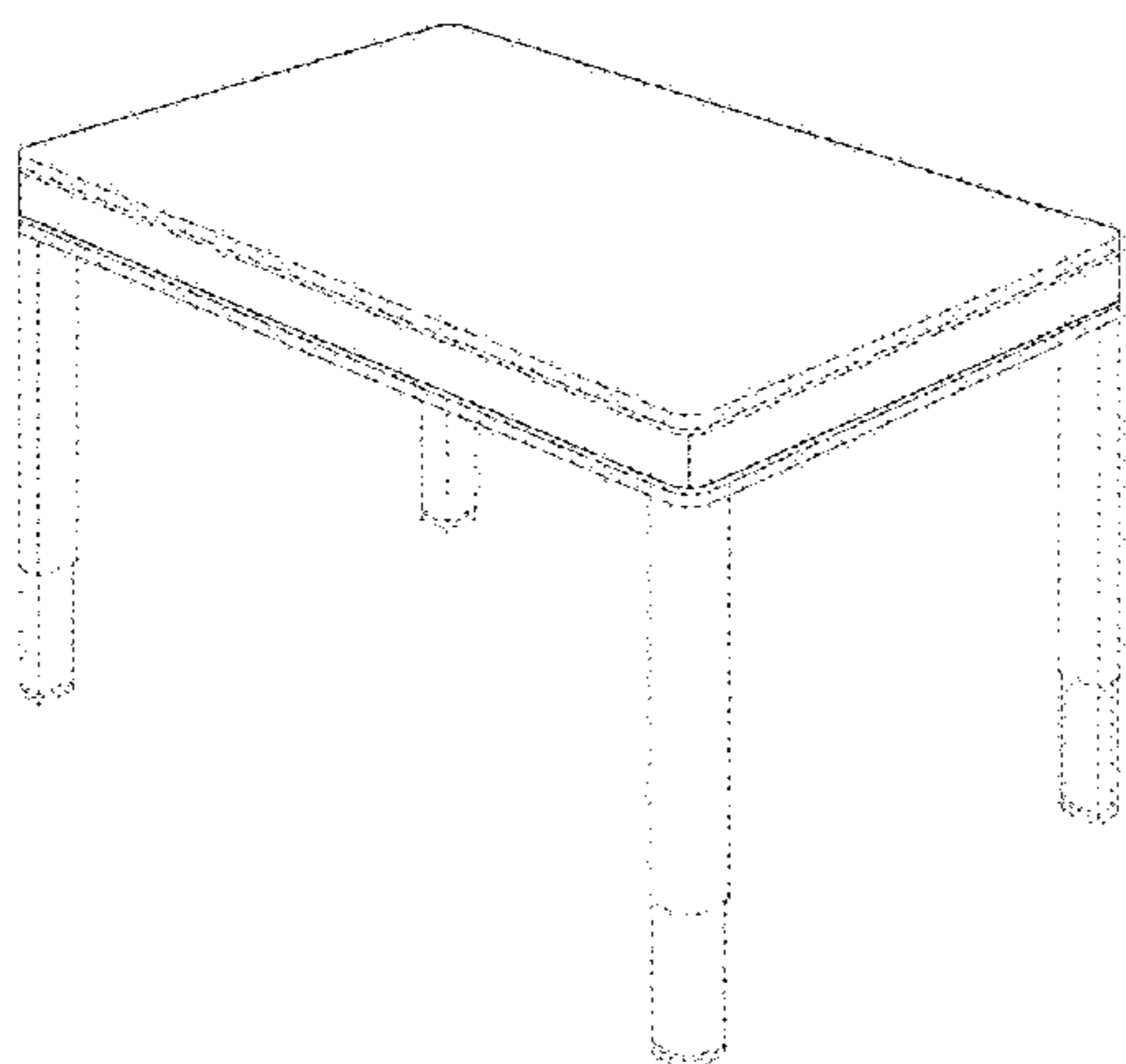
FIG. 32 is a right side plan view thereof;

FIG. 33 is a left side plan view thereof;

FIG. 34 is a top plan view thereof; and,

FIG. 35 is a bottom plan view thereof.

1 Claim, 35 Drawing Sheets



(58) **Field of Classification Search**

CPC A47B 3/02; A47B 3/00; A47B 3/0818;
A47B 3/087; A47B 2200/001; A47B
2200/11; A47B 13/02; A47B 13/04; A47B
13/06; A47B 7/00; A47B 91/005; A47B
17/00; A47B 17/003; A47B 2097/006

See application file for complete search history.

(56) **References Cited**

U.S. PATENT DOCUMENTS

D504,035 S * 4/2005 Sun D6/691
D515,841 S * 2/2006 Hsu D6/691.6
D565,329 S * 4/2008 Domack D6/691.1
D613,968 S * 4/2010 Lambert D6/689
D666,845 S * 9/2012 Lievore D6/691
D717,572 S * 11/2014 Morrison D6/647
D723,840 S * 3/2015 Scharer D6/656.13
D732,852 S * 6/2015 Park D6/656
D737,610 S * 9/2015 Kitada D6/691.9
D742,146 S * 11/2015 Lin D6/691
D750,402 S * 3/2016 Lin D6/691
D758,113 S * 6/2016 Domingo D6/691
D767,923 S * 10/2016 Cochran D6/691
2013/0055929 A1 * 3/2013 Peery A47B 7/02
108/91
2014/0208992 A1 * 7/2014 Cai A47B 3/0912
108/168

* cited by examiner

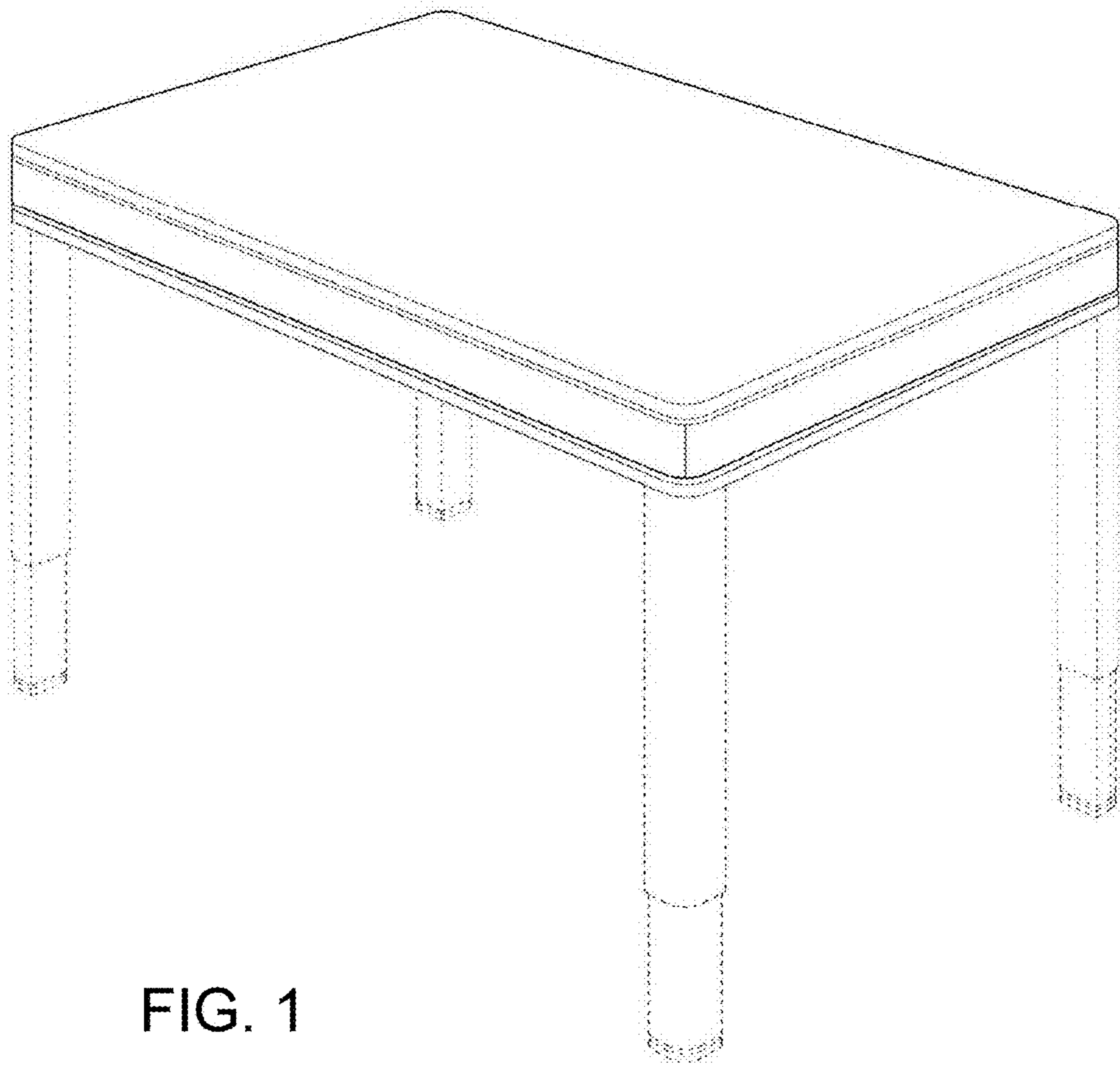


FIG. 1

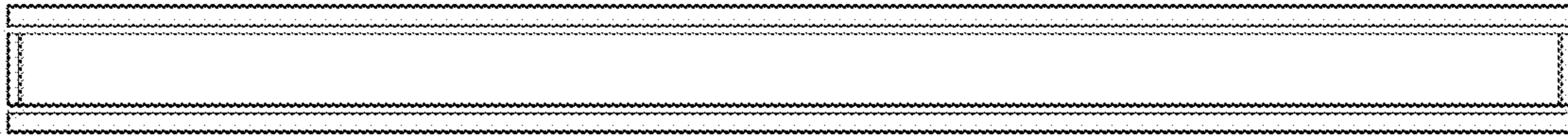


FIG. 2

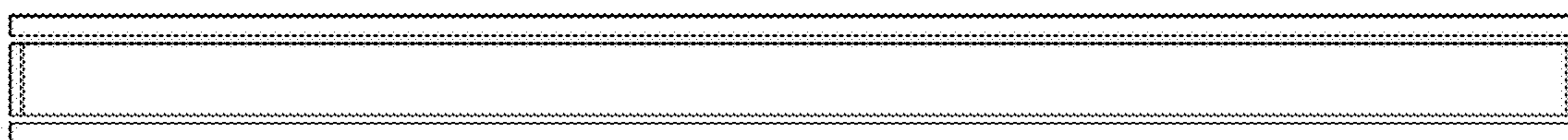


FIG. 3

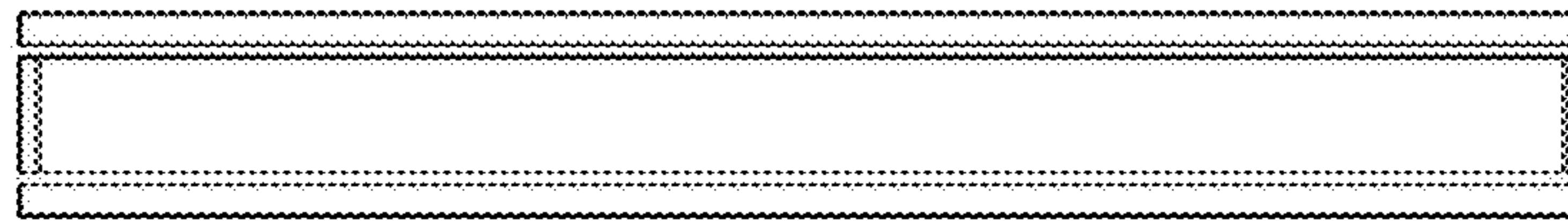


FIG. 4

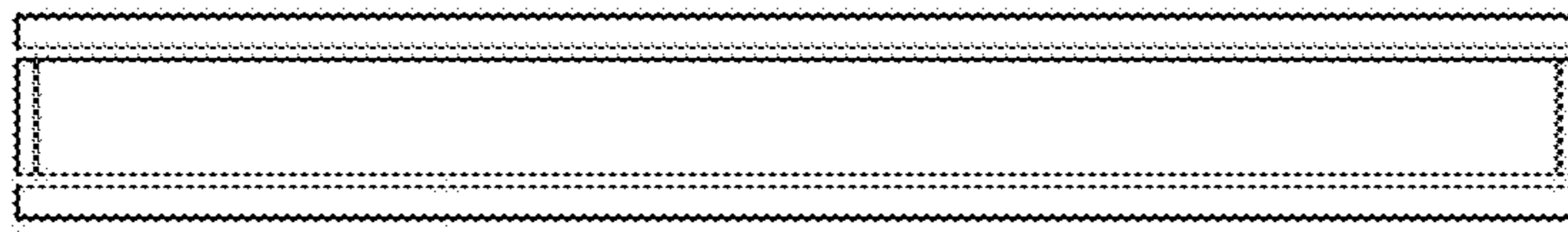


FIG. 5

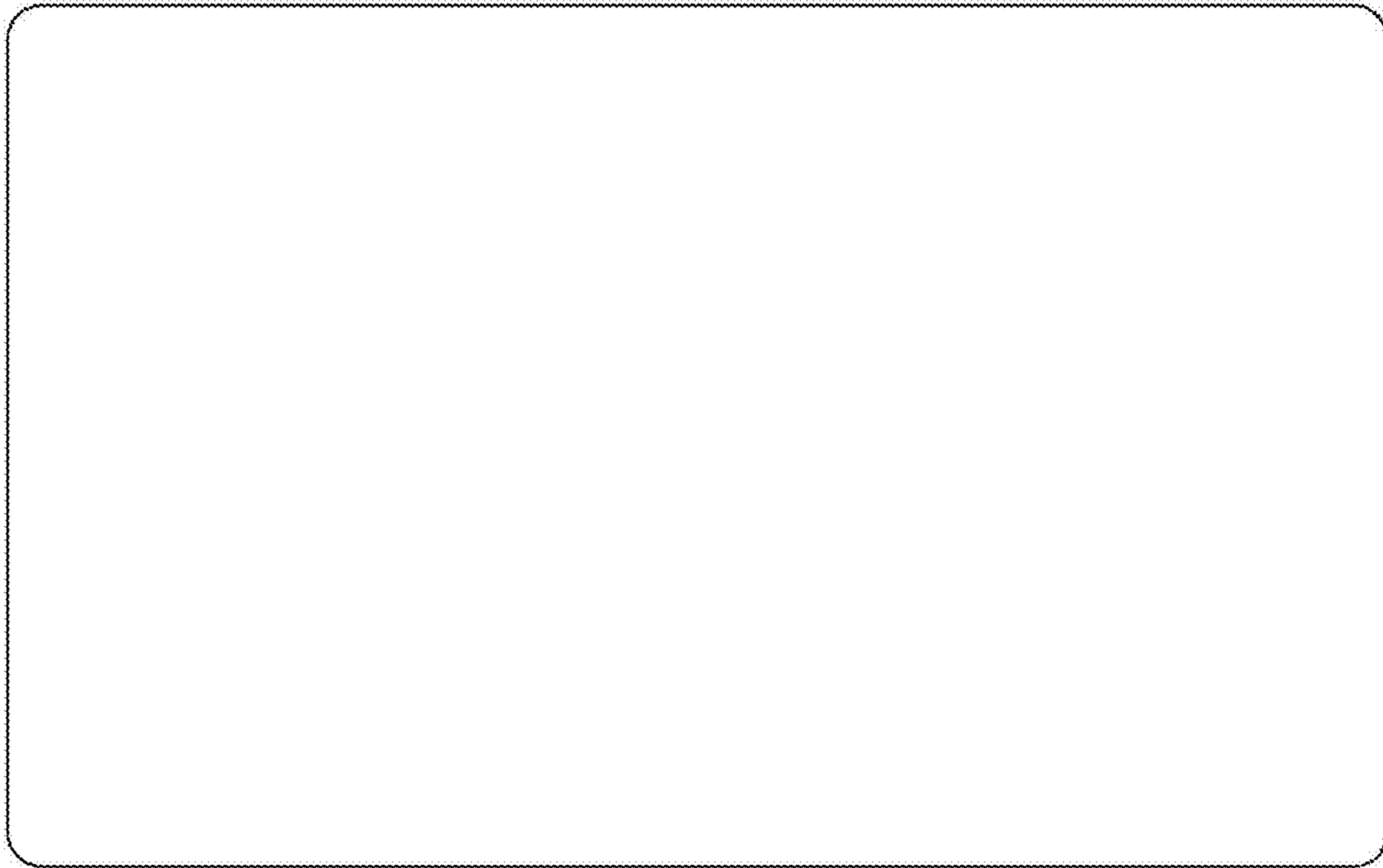


FIG. 6

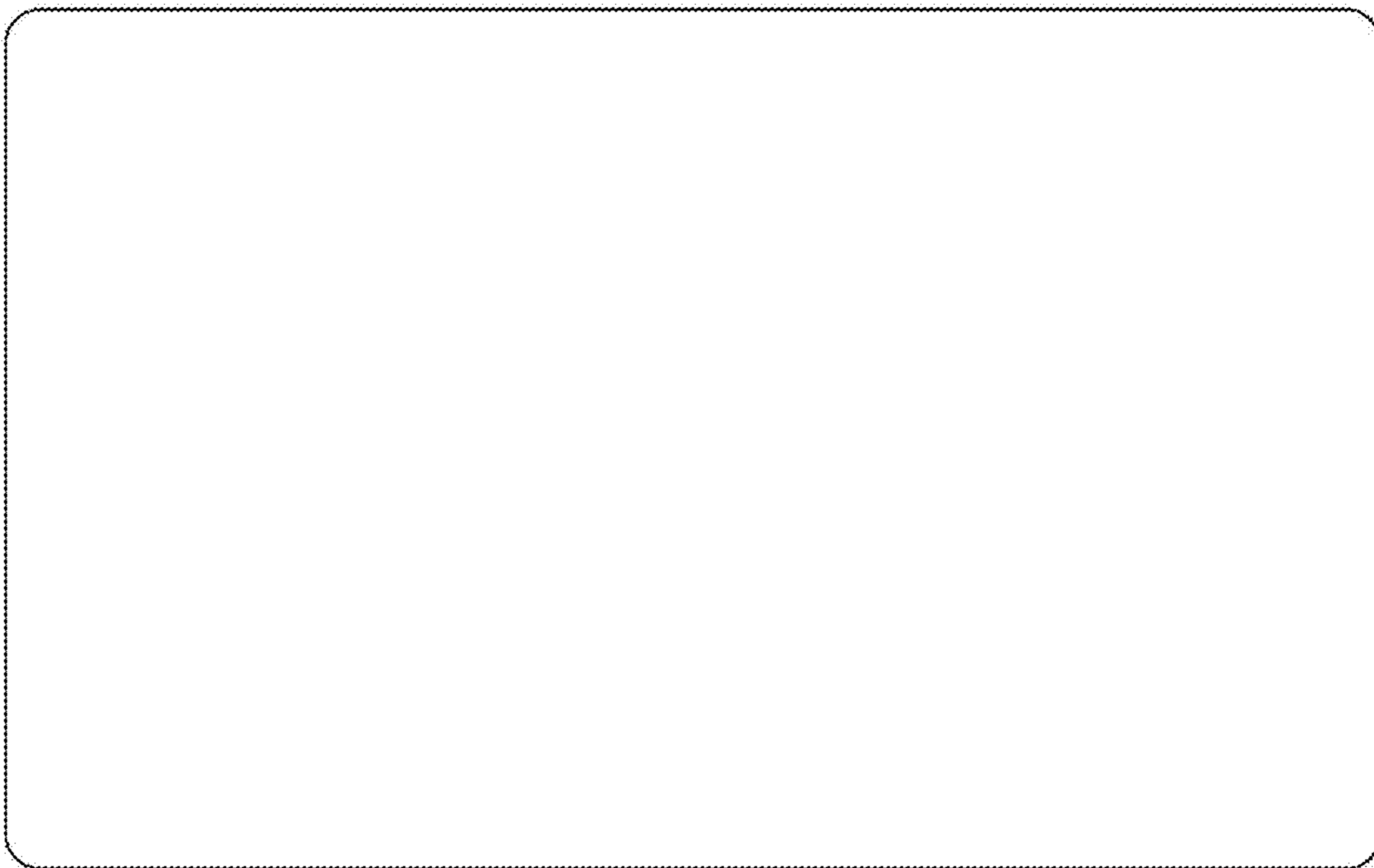


FIG. 7

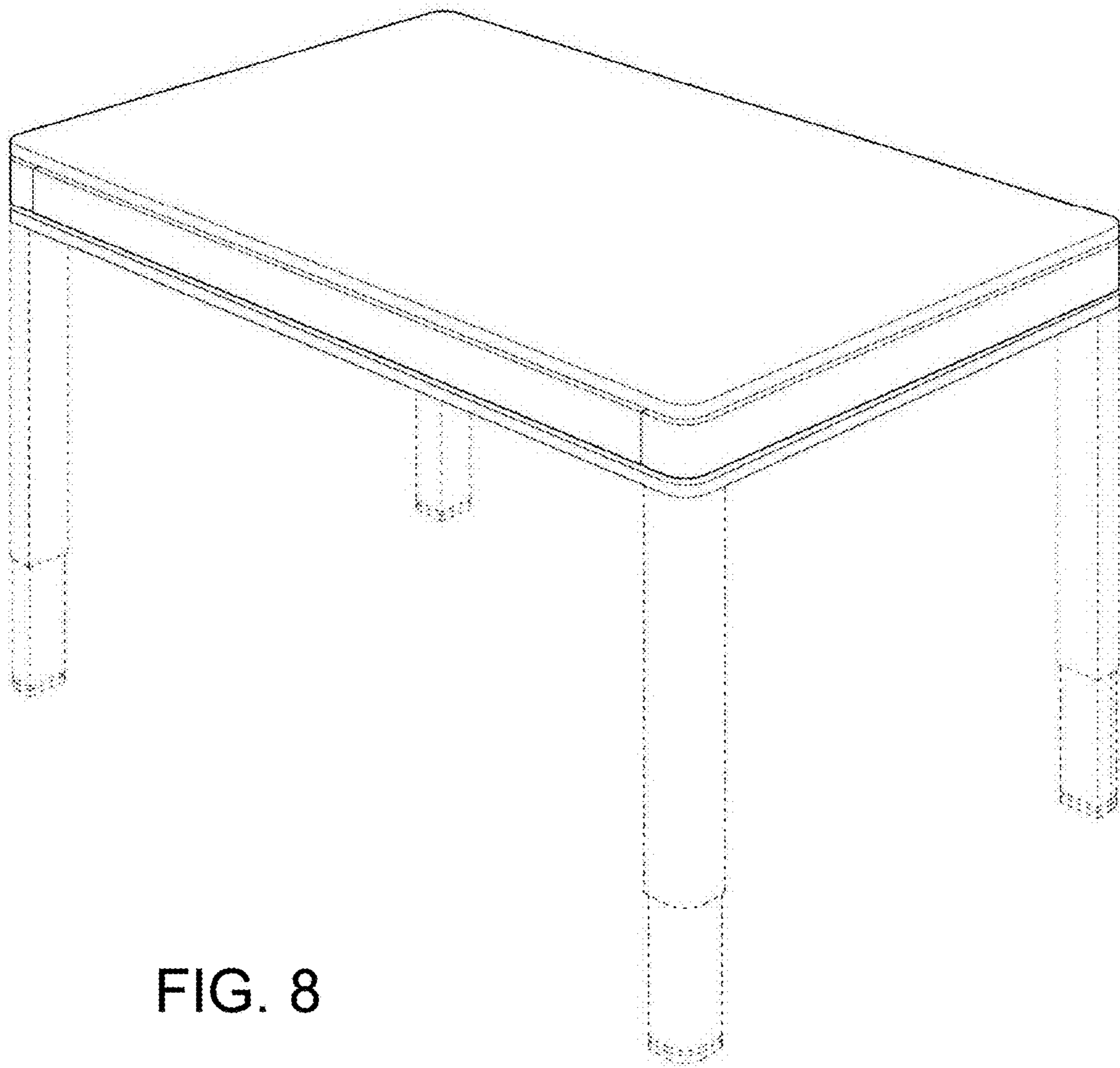


FIG. 8

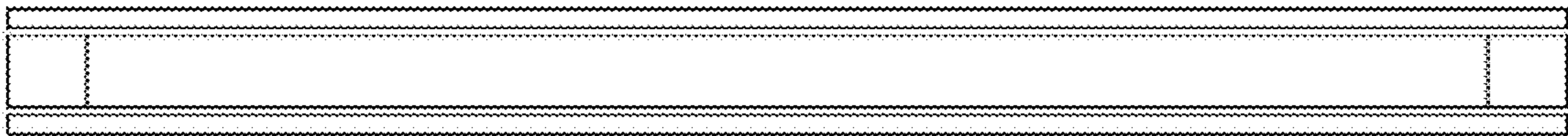


FIG. 9

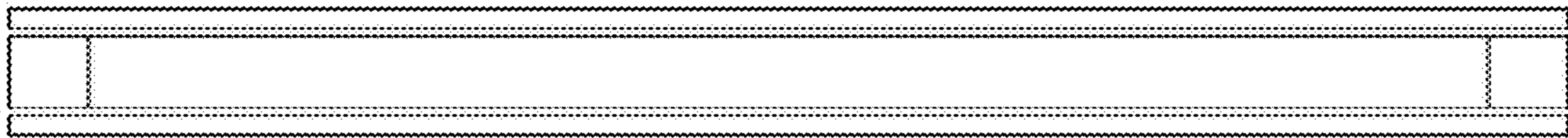


FIG. 10

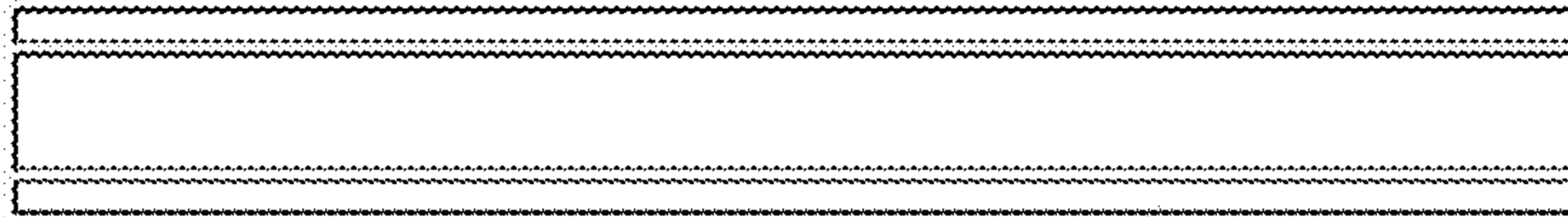


FIG. 11



FIG. 12

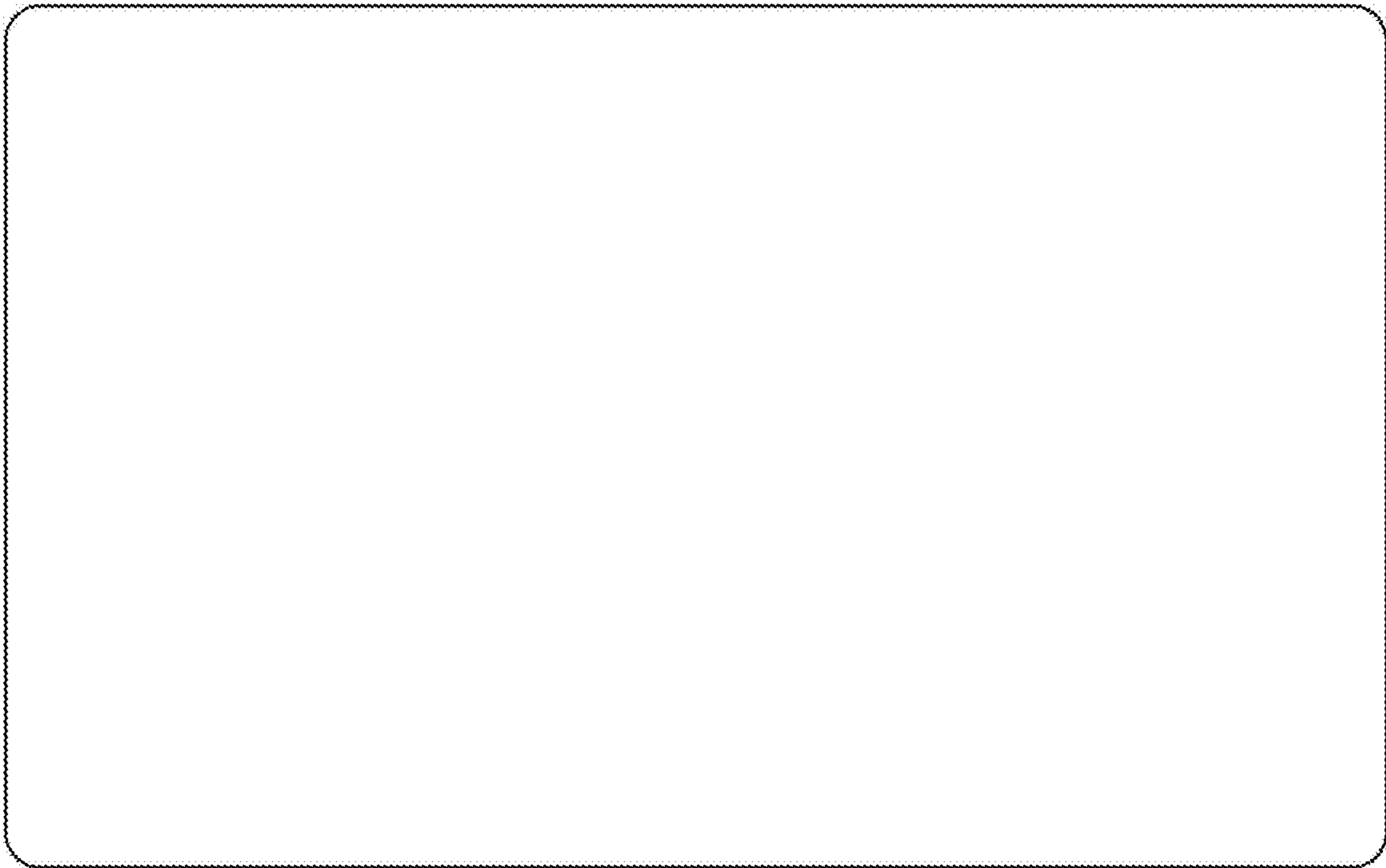


FIG. 13



FIG. 14

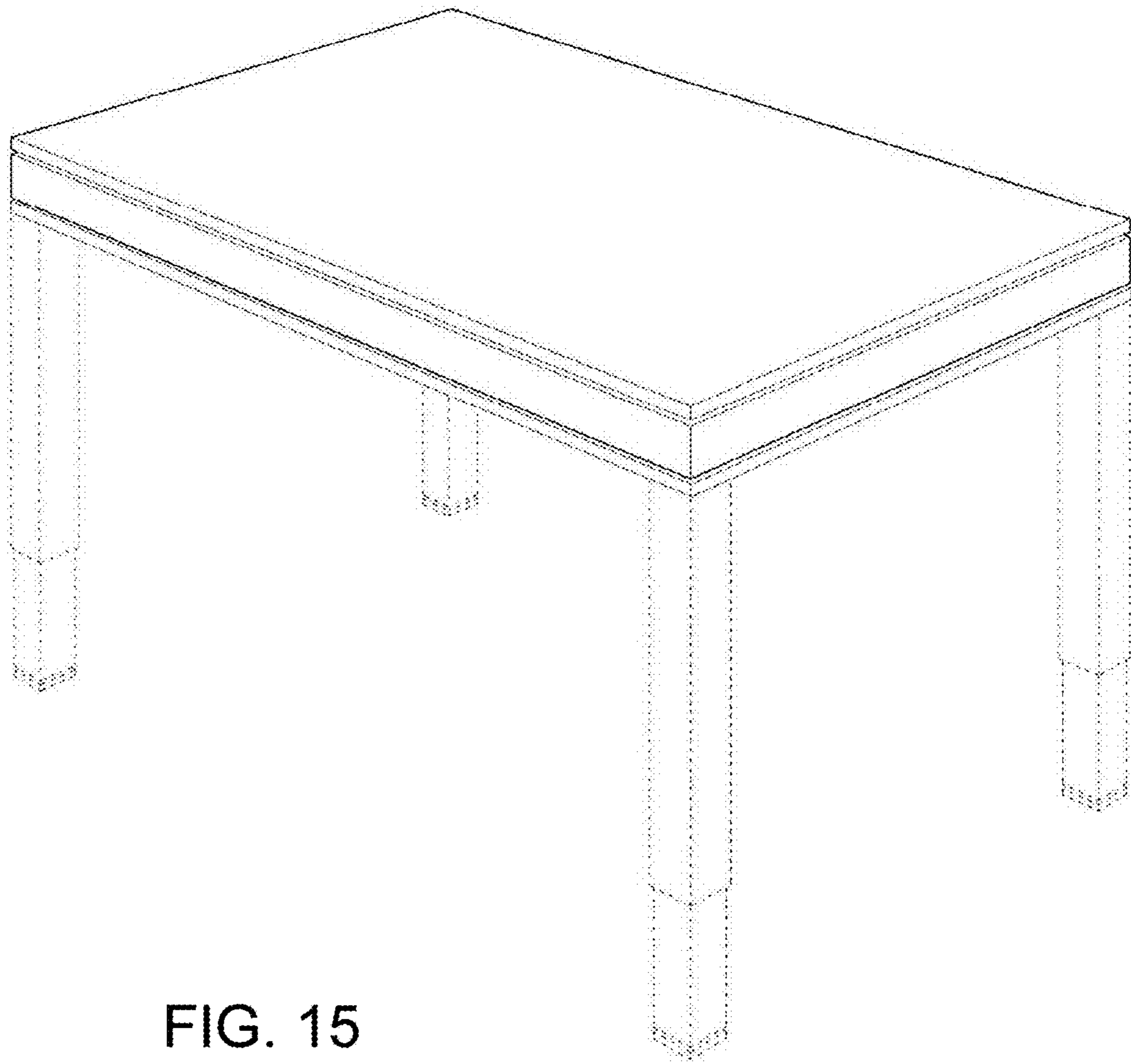


FIG. 15

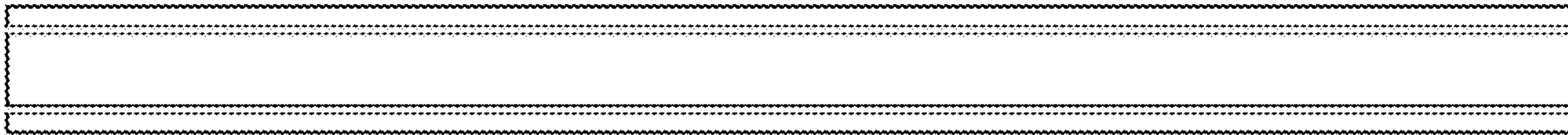


FIG. 16

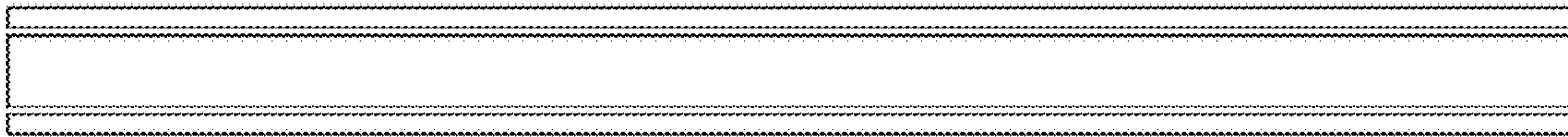


FIG. 17

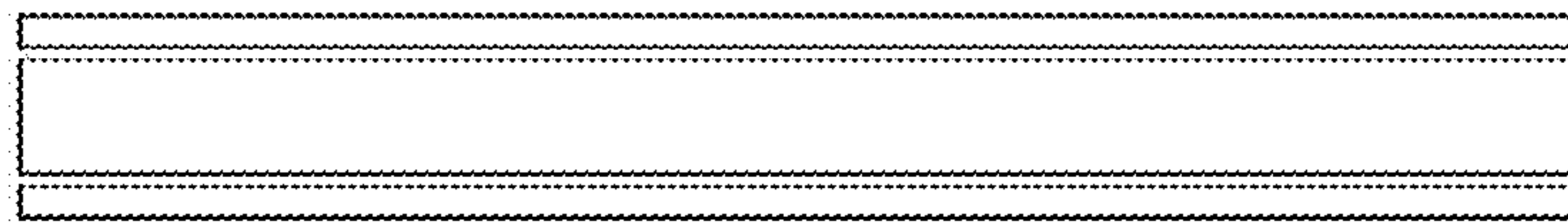


FIG. 18

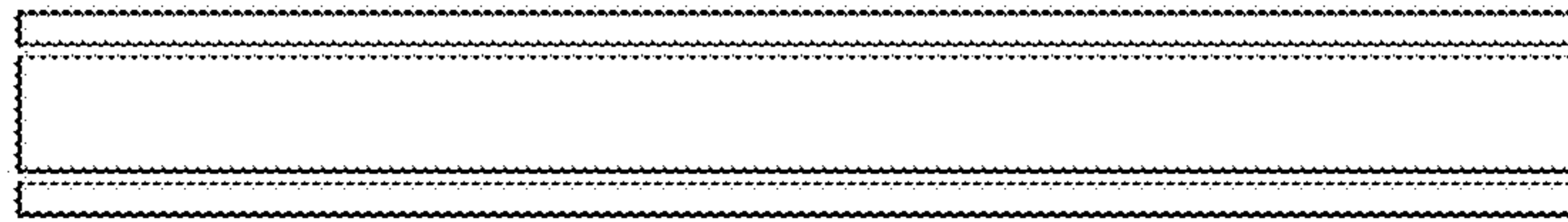


FIG. 19

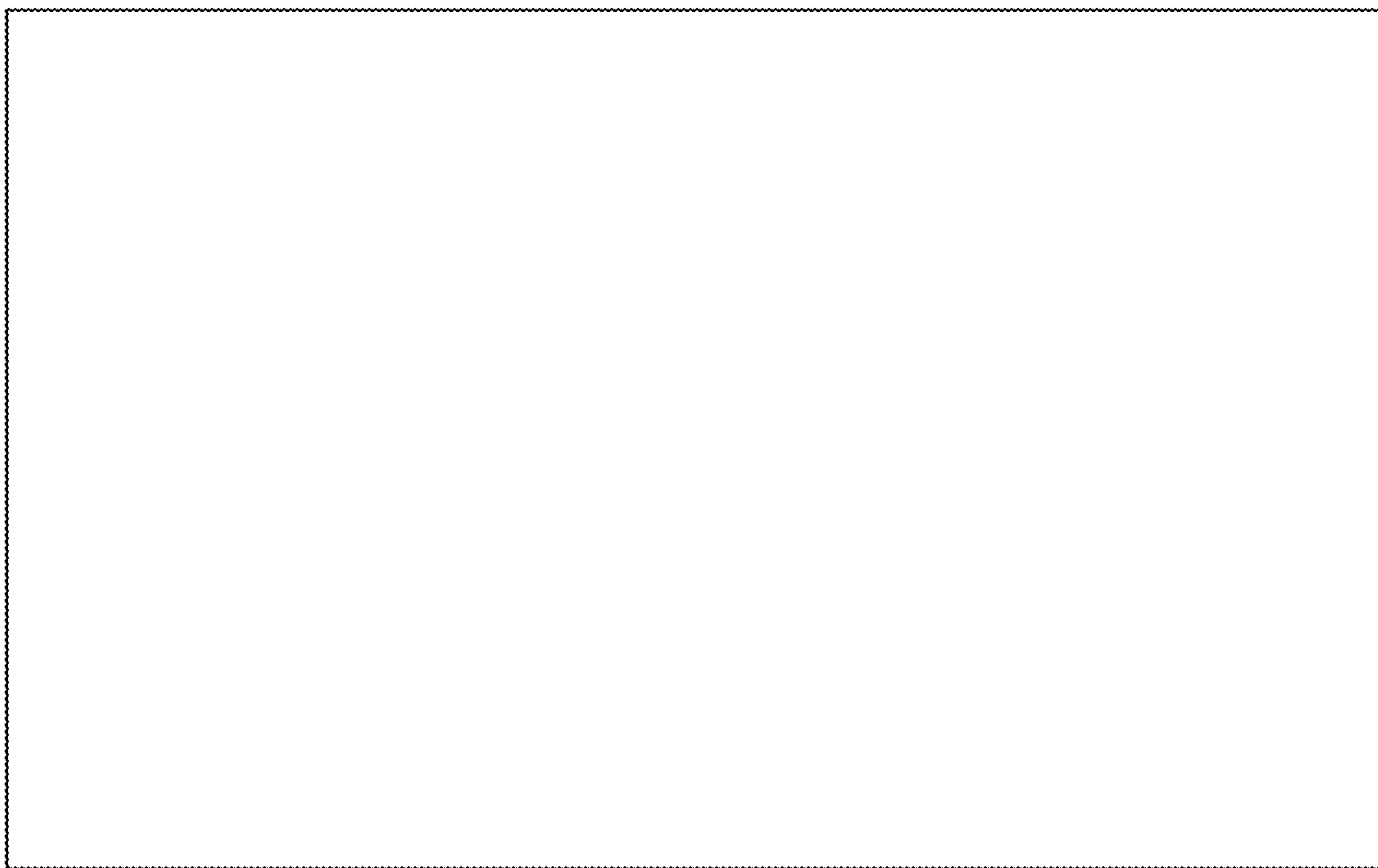


FIG. 20

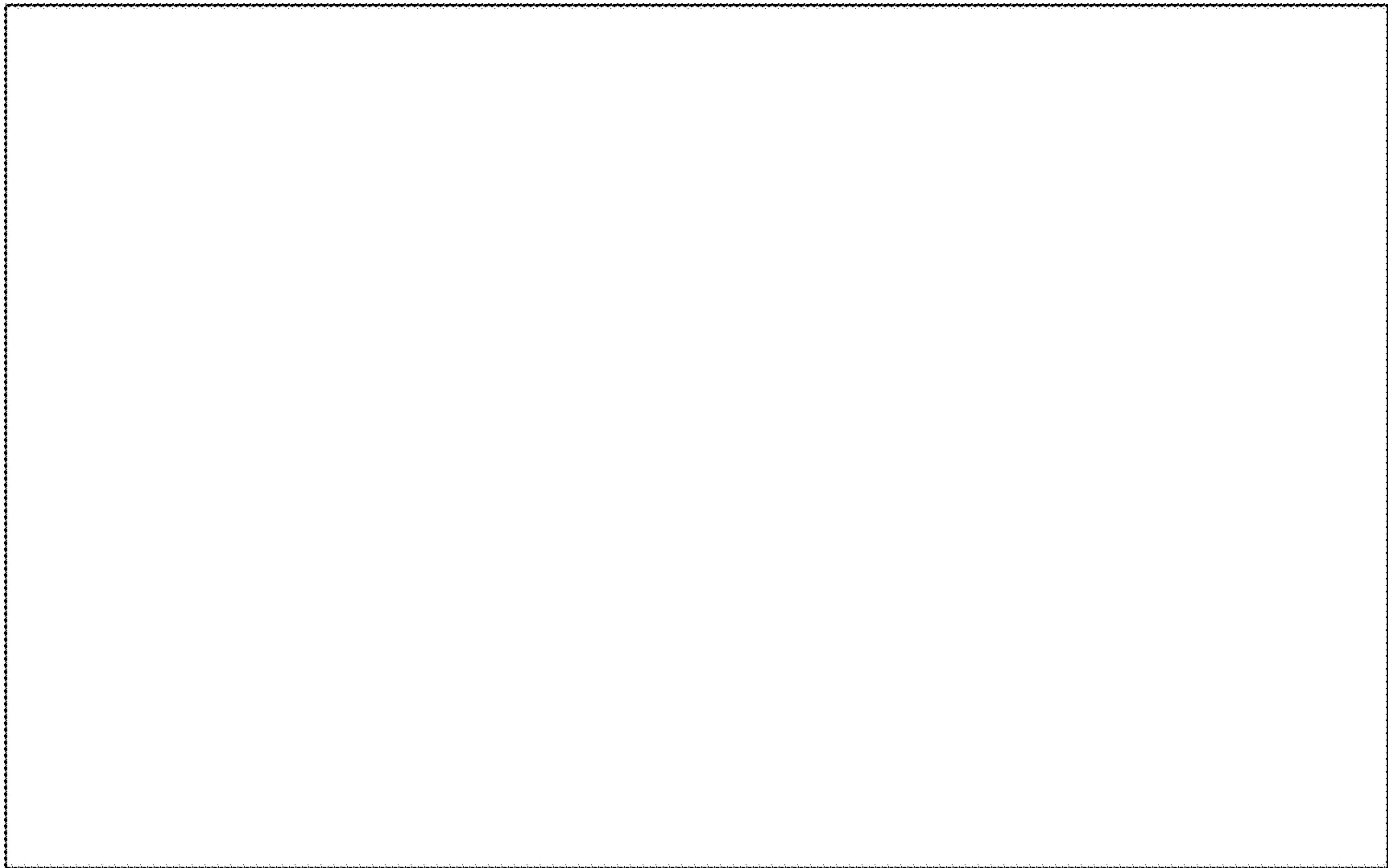


FIG. 21

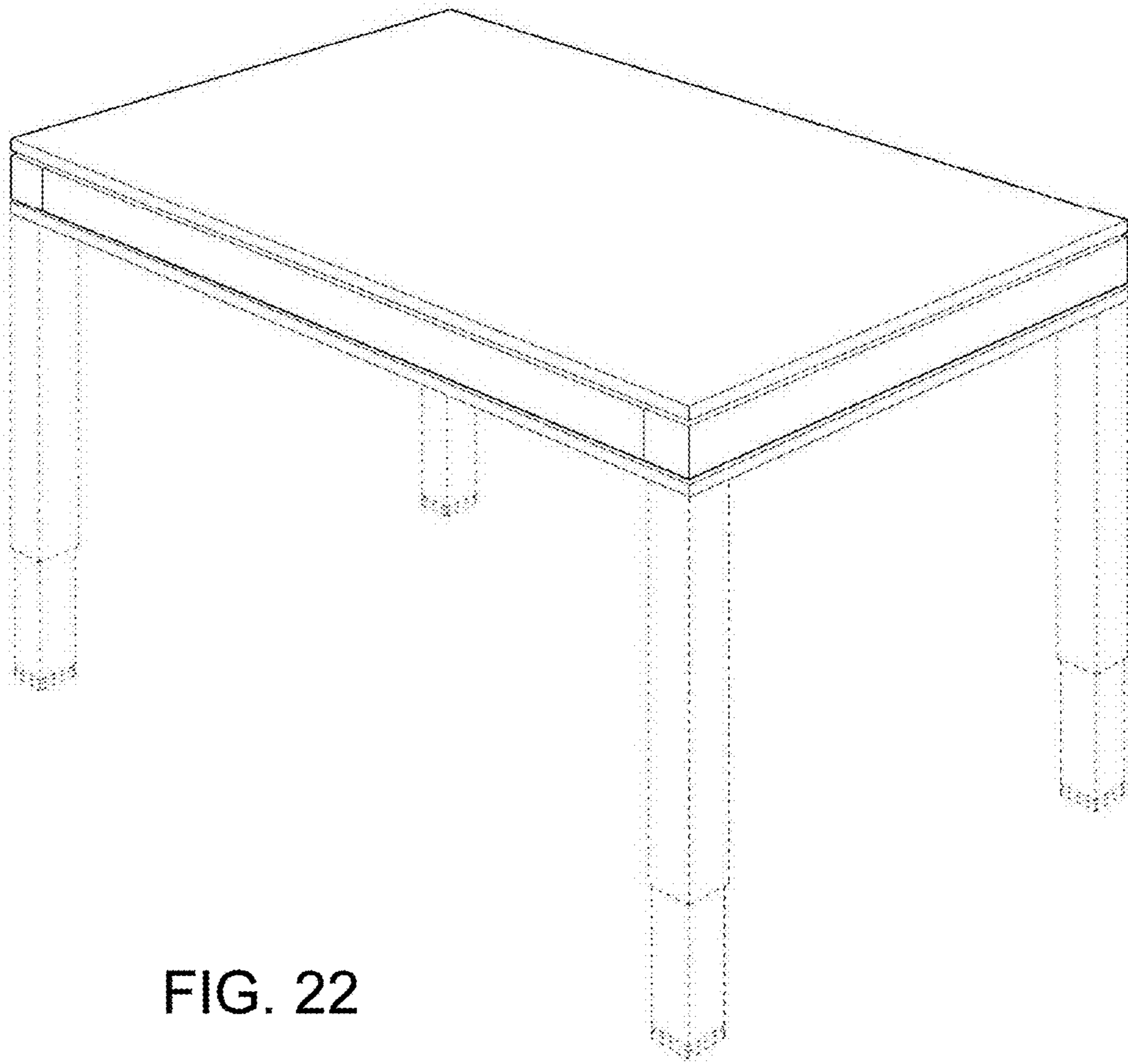


FIG. 22



FIG. 23

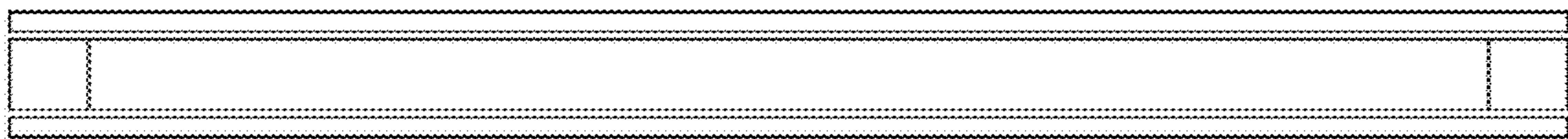


FIG. 24

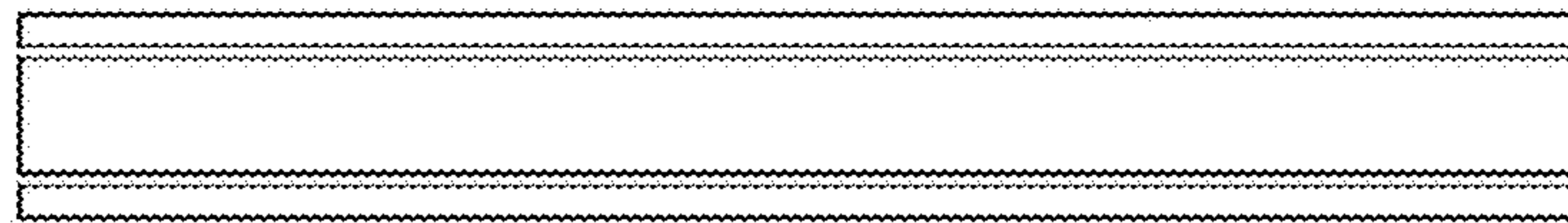


FIG. 25

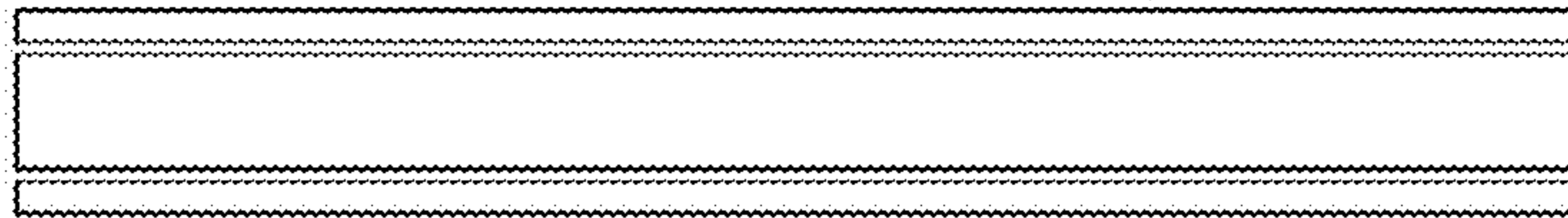


FIG. 26

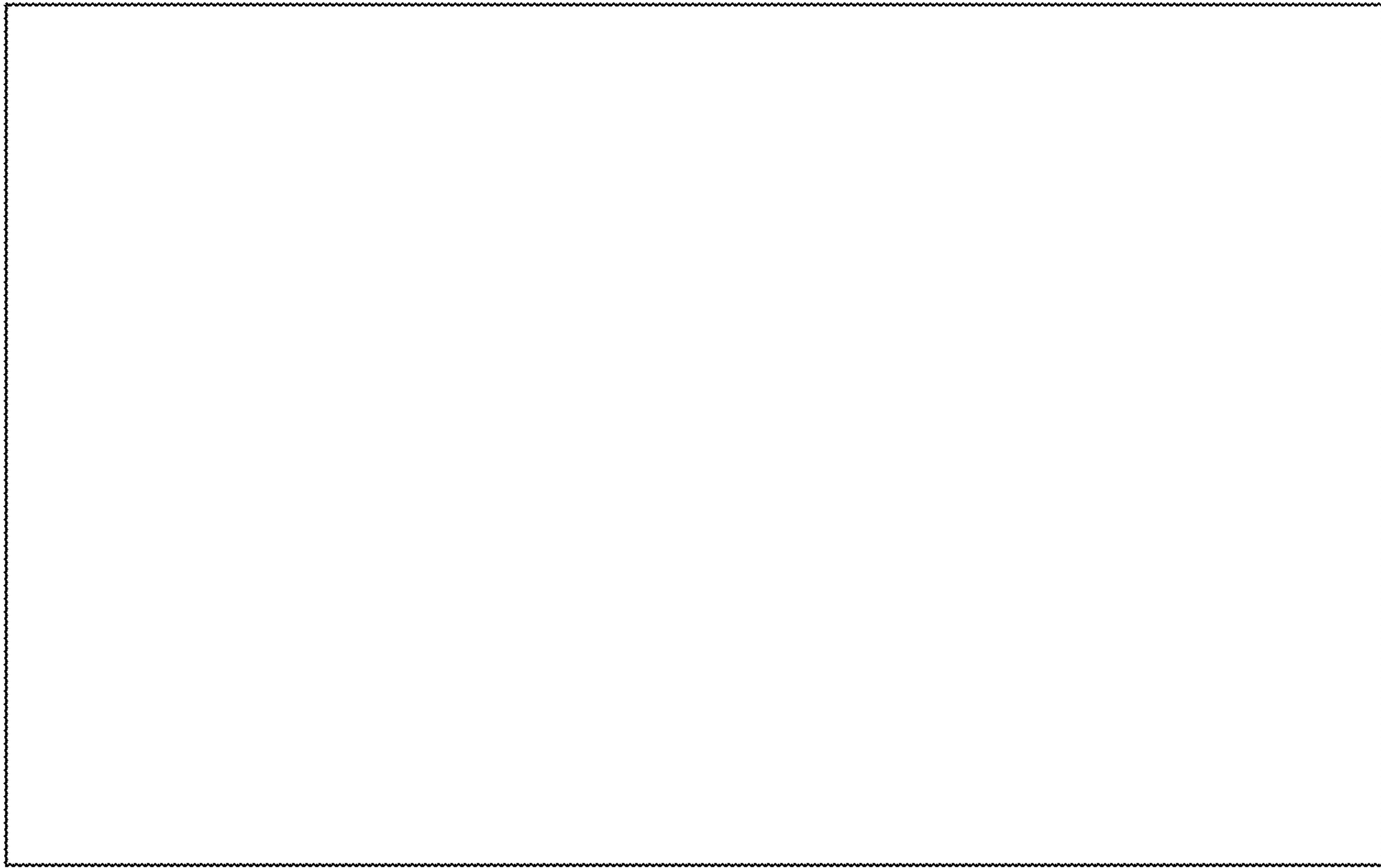


FIG. 27

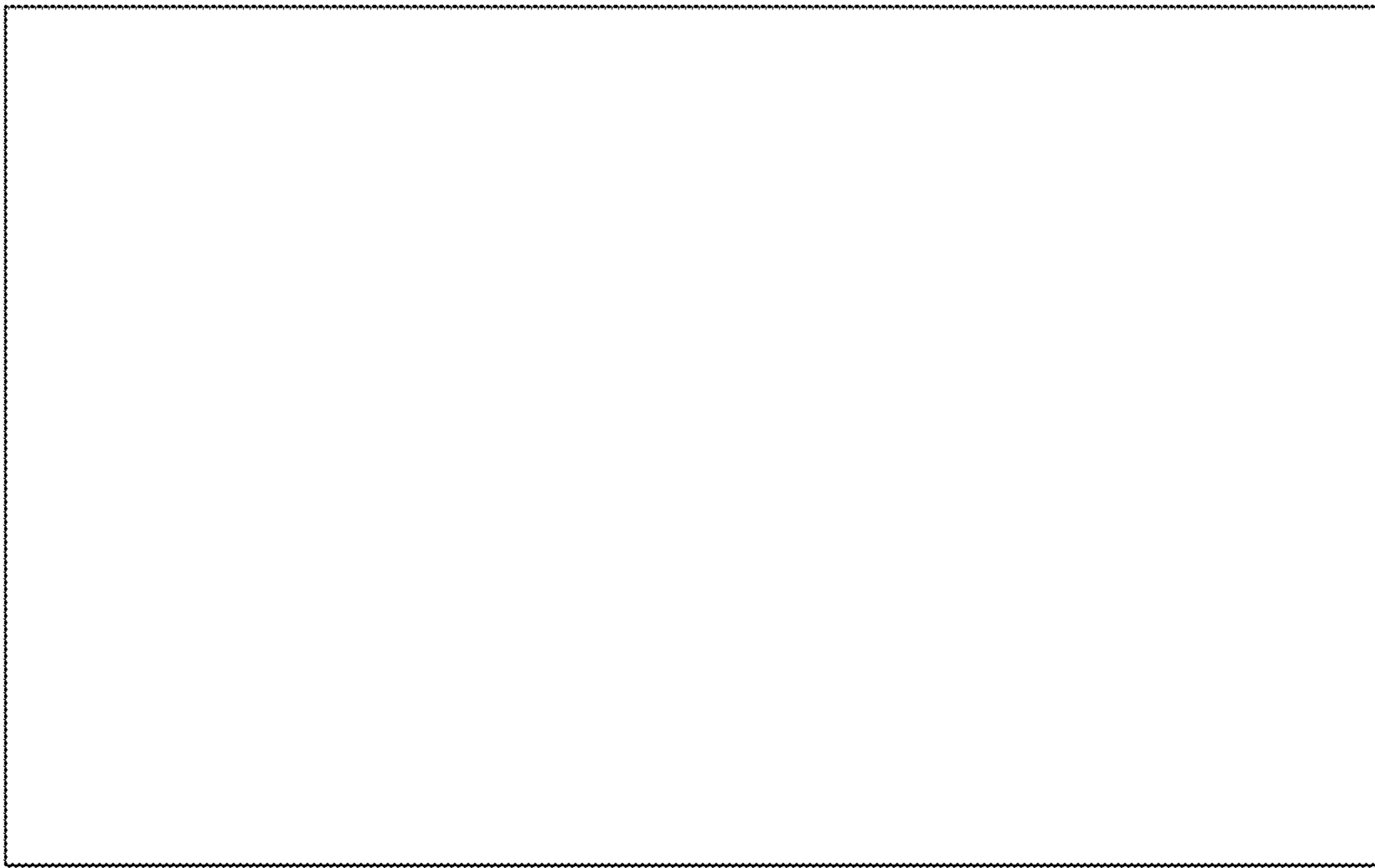


FIG. 28

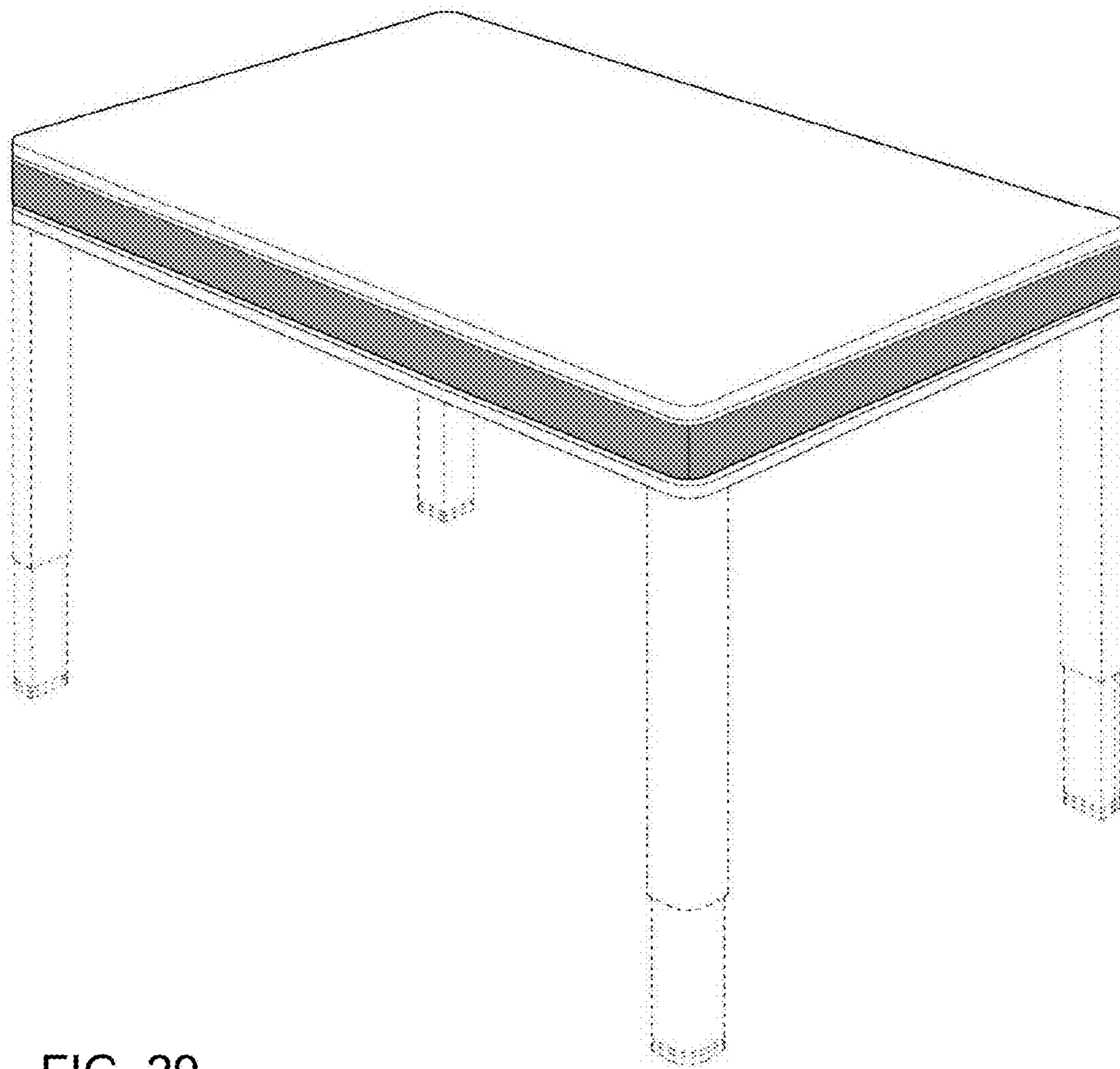


FIG. 29

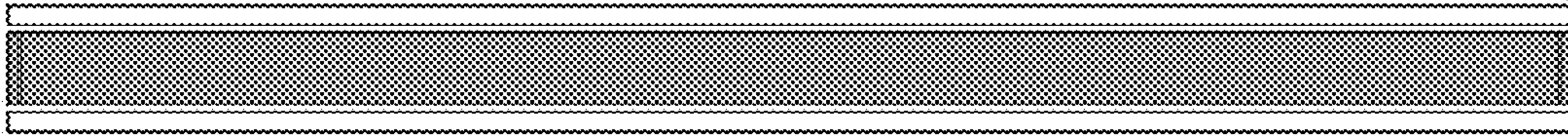


FIG. 30

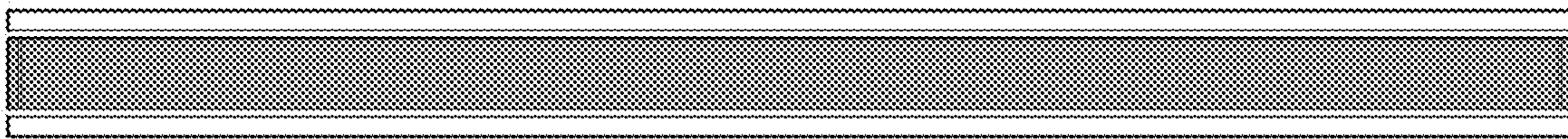


FIG. 31

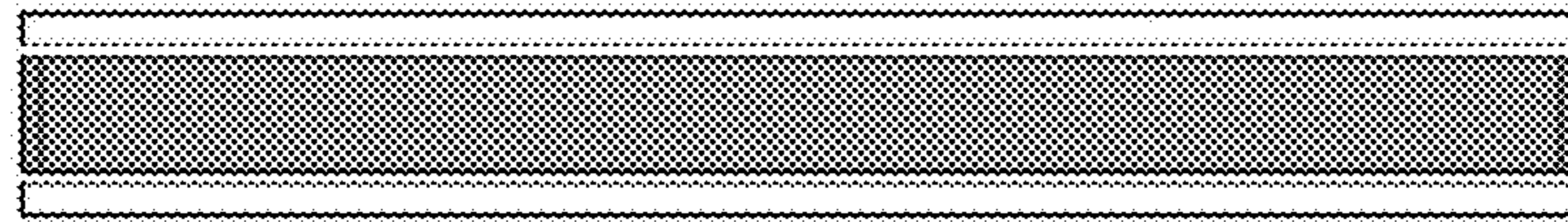


FIG. 32

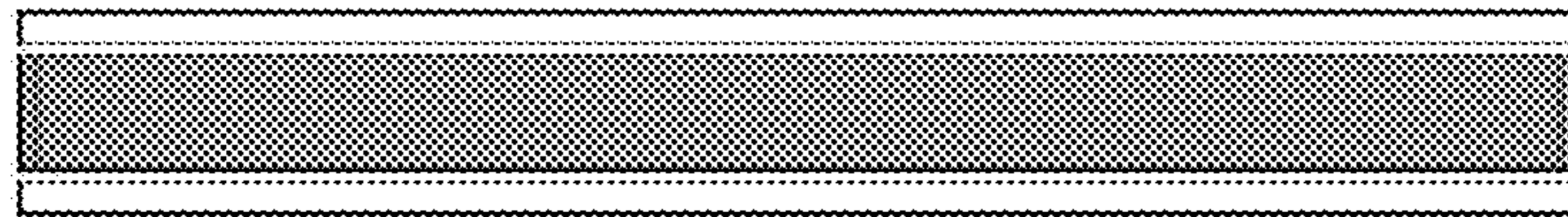


FIG. 33

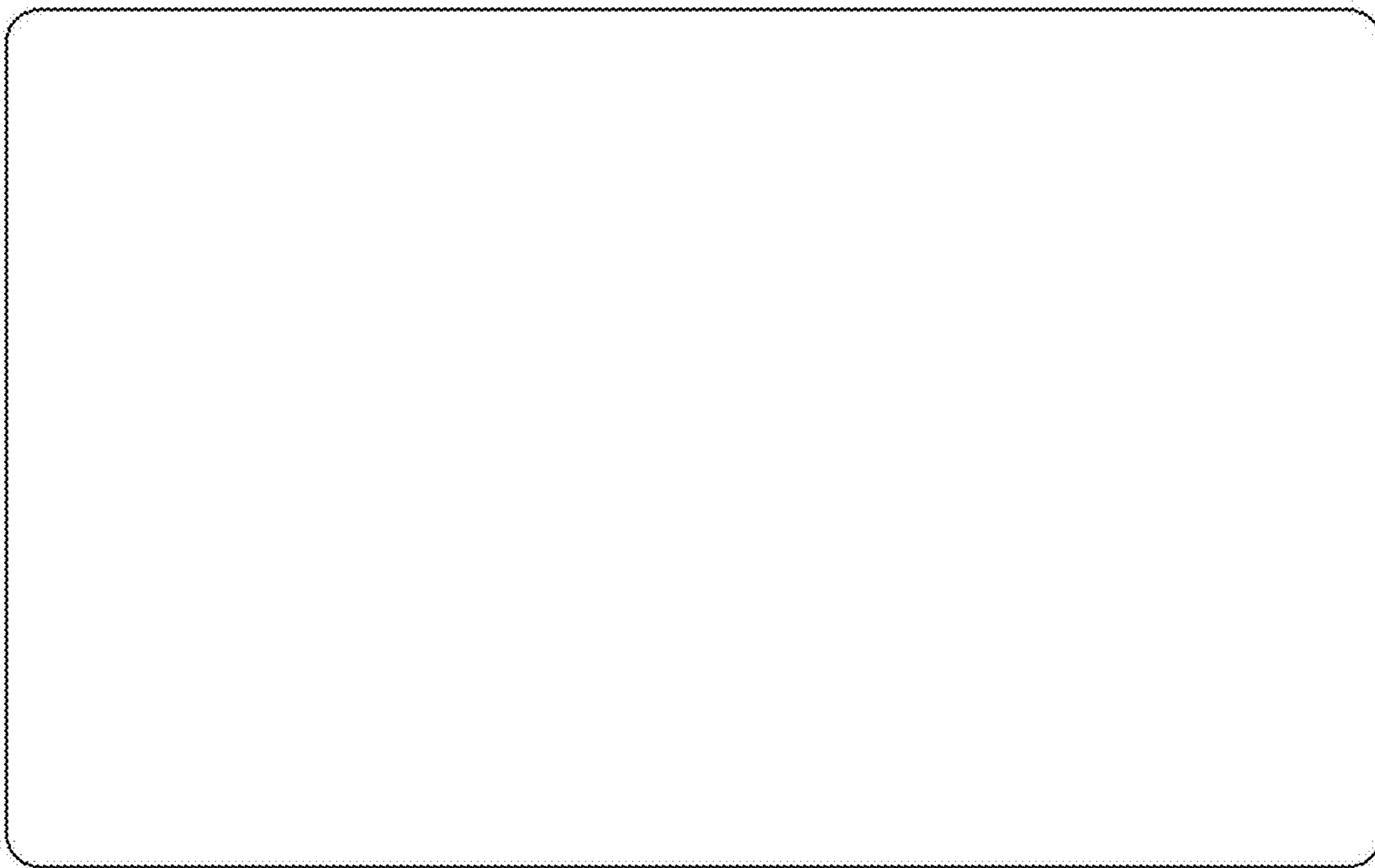


FIG. 34

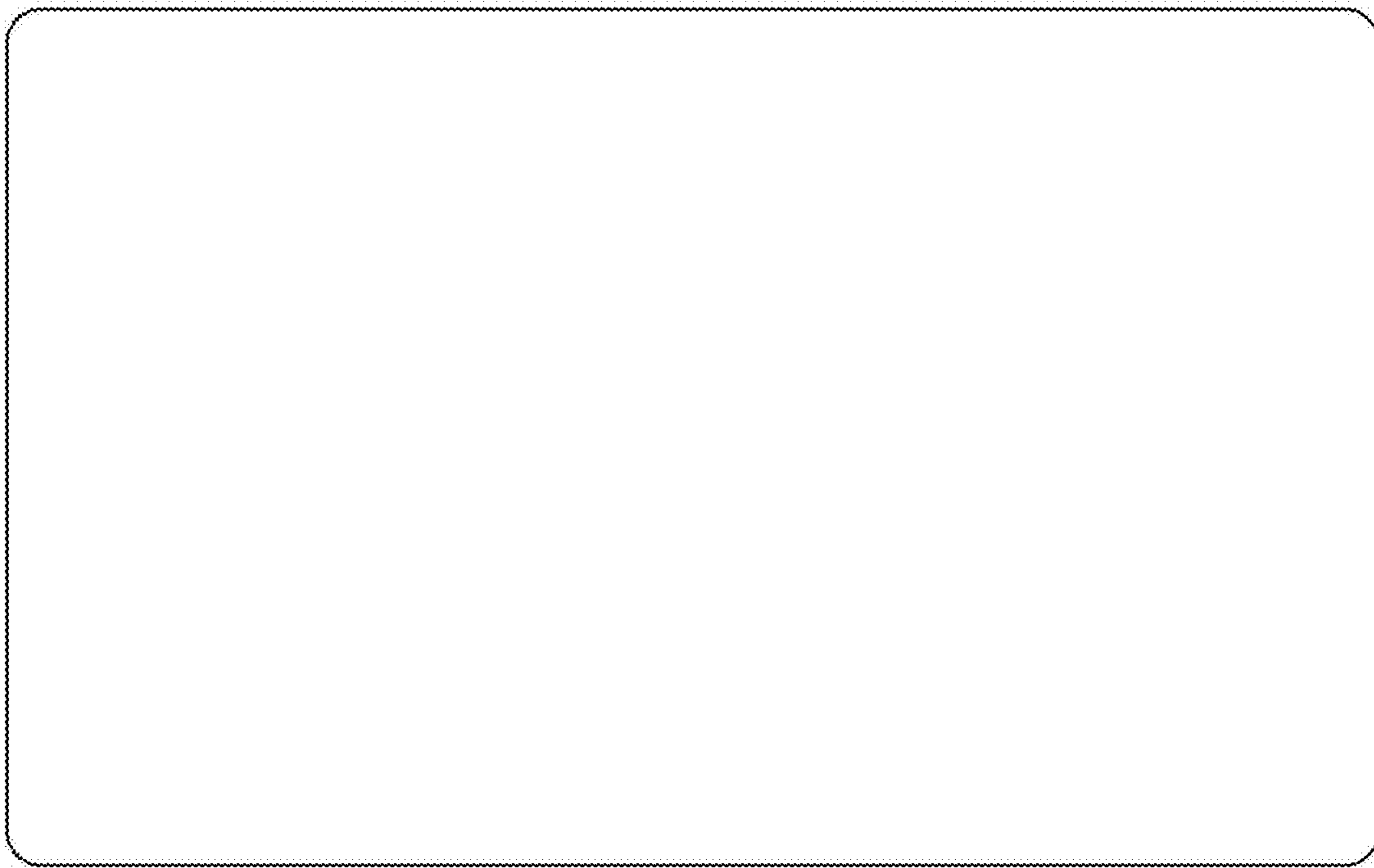


FIG. 35