



US00D781625S

(12) **United States Design Patent**  
**Poniatowski**

(10) **Patent No.:** **US D781,625 S**

(45) **Date of Patent:** **\*\* Mar. 21, 2017**

- (54) **BIN**
- (71) Applicant: **CVS Pharmacy, Inc.**, Woonsocket, RI (US)
- (72) Inventor: **Alex K. Poniatowski**, Brooklyn Park, MN (US)
- (73) Assignee: **CVS Pharmacy, Inc.**, Woonsocket, RI (US)

D369,708 S *	5/1996	Breen .....	D6/515
D402,160 S	12/1998	Rushing	
D402,837 S *	12/1998	Boire .....	D6/515
D405,622 S	2/1999	Linz	
D409,387 S	5/1999	Yemini	
D421,550 S *	3/2000	Henry .....	D7/589
D425,703 S *	5/2000	Ohayon .....	D3/201
D465,332 S	11/2002	Brown	
D482,914 S *	12/2003	Prasad .....	D6/515
D499,590 S	12/2004	Meredith	
D509,689 S	9/2005	Ho	
7,000,826 B2 *	2/2006	Billings .....	A47G 29/1209 232/17

(\*\*) Term: **15 Years**

(Continued)

(21) Appl. No.: **29/578,316**

(22) Filed: **Sep. 20, 2016**

**Related U.S. Application Data**

- (62) Division of application No. 29/527,287, filed on May 18, 2015, now Pat. No. Des. 769,652.
- (51) **LOC (10) Cl.** ..... **06-06**
- (52) **U.S. Cl.**  
USPC ..... **D6/683**
- (58) **Field of Classification Search**  
USPC ..... D7/589; D6/705, 515, 517, 601, 602,  
D6/600.1, 619.1, 619.2, 675.4, 683  
CPC . A47F 1/00; A47F 1/04; F25D 25/021; F25D  
25/025

See application file for complete search history.

(56) **References Cited**

**U.S. PATENT DOCUMENTS**

D270,756 S *	9/1983	Brown .....	D23/410
D274,012 S	5/1984	Williams	
D283,074 S	3/1986	Skillius	
D301,927 S	6/1989	Williams	
D333,581 S	3/1993	Macsentì et al.	
D335,242 S	5/1993	Saunders	
D342,420 S	12/1993	Ienna	
D344,838 S *	3/1994	Hakansson .....	D3/304

**OTHER PUBLICATIONS**

Besdeals.com, "Plastic Container," <http://besdeals.com/hitech-storage-engineering-leftbracket-m-rightbracket-sdn-bhd/products/details/274>, at least as early as Mar. 27, 2015, 1 pg.

(Continued)

*Primary Examiner* — Kelley Donnelly

(74) *Attorney, Agent, or Firm* — Patent Law Works LLP

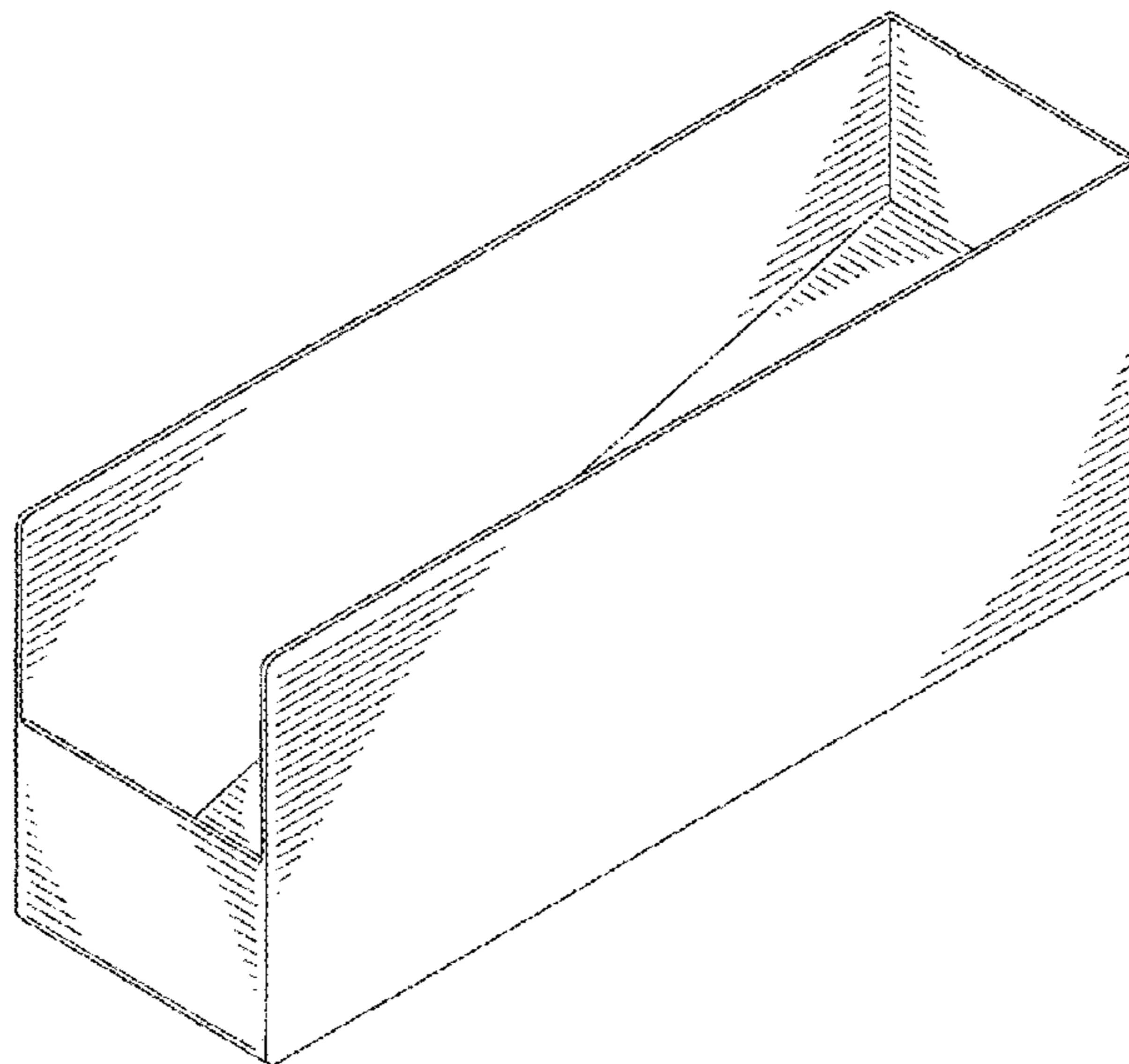
(57) **CLAIM**

The ornamental design for a bin, as shown.

**DESCRIPTION**

FIG. 1 is a perspective view of an embodiment of a bin showing our new design;  
 FIG. 2 is a front view of FIG. 1;  
 FIG. 3 is a back view of FIG. 1;  
 FIG. 4 is a right side view of FIG. 1, the left side view being a mirror image;  
 FIG. 5 is a top view of FIG. 1;  
 FIG. 6 is a bottom view of FIG. 1; and,  
 FIG. 7 is a section view of FIG. 1 taken through the line indicated in FIG. 2.

**1 Claim, 4 Drawing Sheets**



(56)

**References Cited**

U.S. PATENT DOCUMENTS

D517,319 S 3/2006 Wisnoski et al.  
D519,828 S 5/2006 Cavero et al.  
D543,400 S \* 5/2007 Ho ..... D6/515  
D588,386 S 3/2009 Johnson et al.  
D611,270 S 3/2010 Castillo Higareda  
D651,651 S \* 1/2012 Beukema ..... D13/139.1  
D660,058 S \* 5/2012 Kincaid ..... D3/304  
D690,514 S 10/2013 Shamp  
D704,481 S \* 5/2014 Gaschy ..... D6/673  
D716,552 S 11/2014 Theisen et al.  
D744,547 S 12/2015 Jeon et al.  
D754,989 S \* 5/2016 Garshon ..... D6/517  
D761,369 S \* 7/2016 Elsea ..... D21/782

OTHER PUBLICATIONS

Grainger, "Hang/Stack Bin," [http://www.grainger.com/product/21P561?gclid=CMOfiPblyMQCFYVAaQod9KoAYg&cm\\_mmc+PPC:GOOGLEPLAA-\\_-Material%20Handling-\\_-Storage%20Bins%20and%20Containers-\\_-21P561&ef\\_id=VFk1eQAABMMLPS:20150327145850:s](http://www.grainger.com/product/21P561?gclid=CMOfiPblyMQCFYVAaQod9KoAYg&cm_mmc+PPC:GOOGLEPLAA-_-Material%20Handling-_-Storage%20Bins%20and%20Containers-_-21P561&ef_id=VFk1eQAABMMLPS:20150327145850:s), at least as early as Mar. 27, 2015, 1 pg.

Plastic-Bin.com, "Plastic Storage Containers," <http://www.plastic-bin.com/qus976>, at least as early as Mar. 27, 2015, 1 pg.

Quantum Storage Systems, "QUS970 Hulk Container," <http://www.quantumstorage.com/qus970>, at least as early as Mar. 27, 2015, 1 pg.

\* cited by examiner

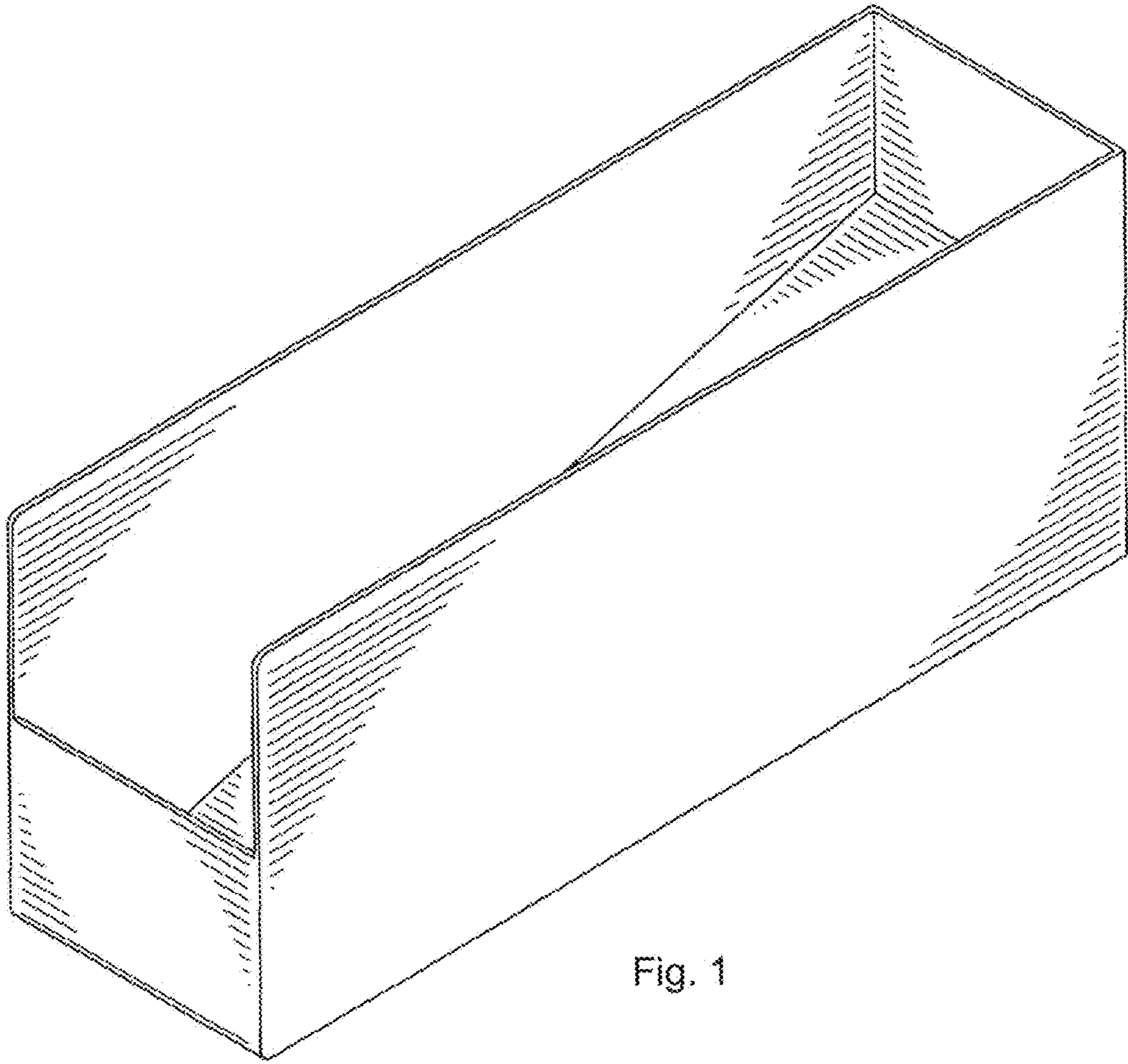


Fig. 1

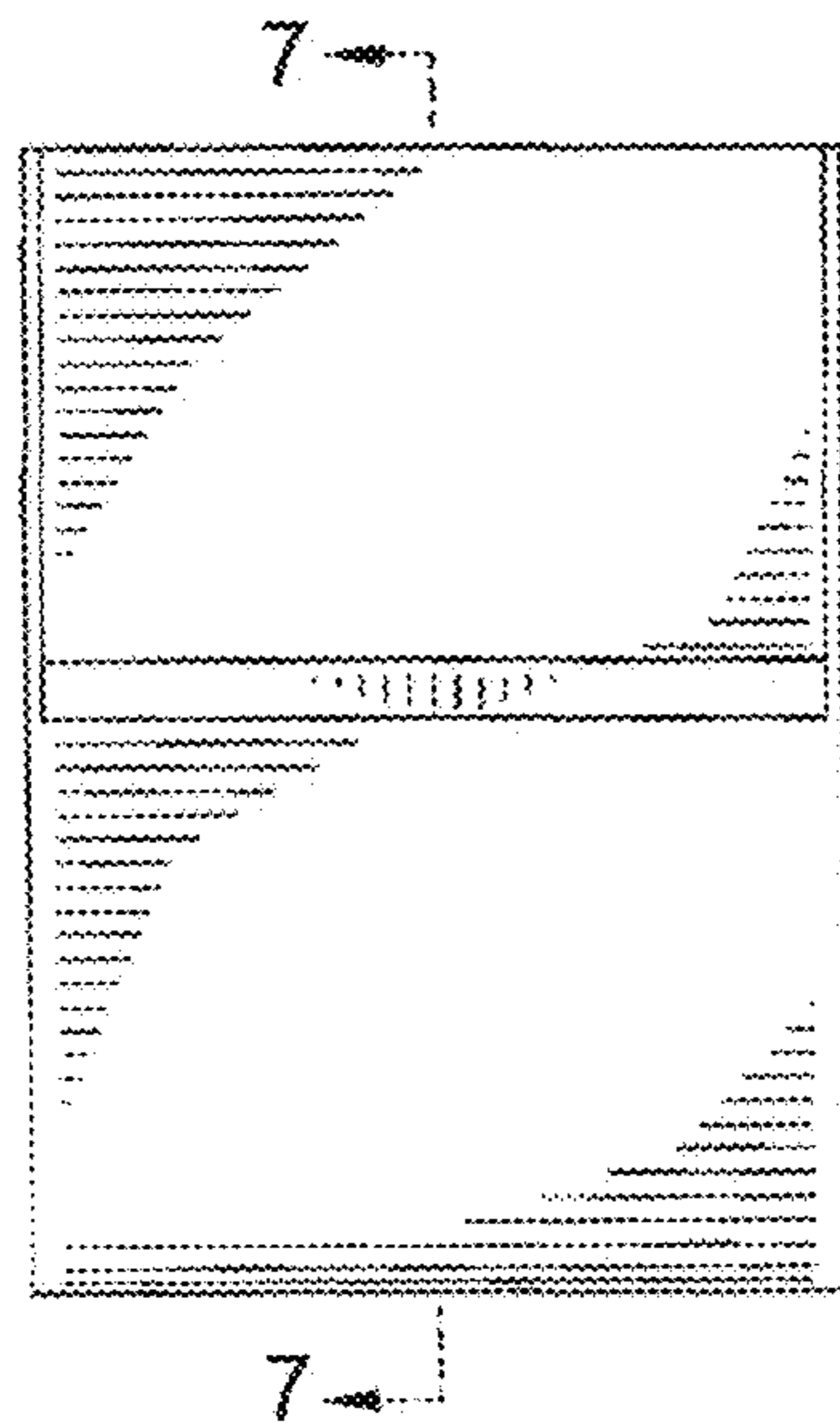


Fig. 2

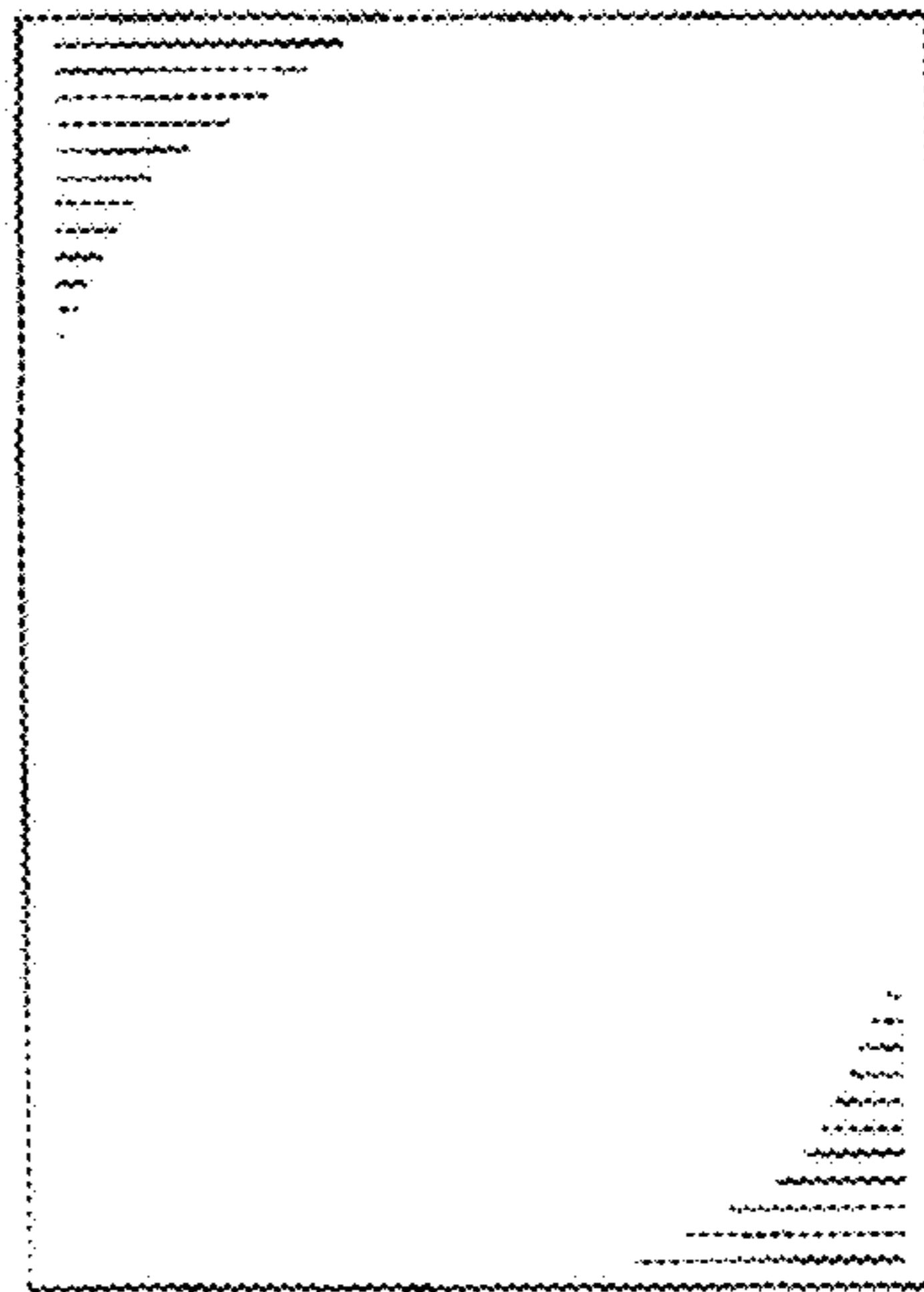


Fig. 3

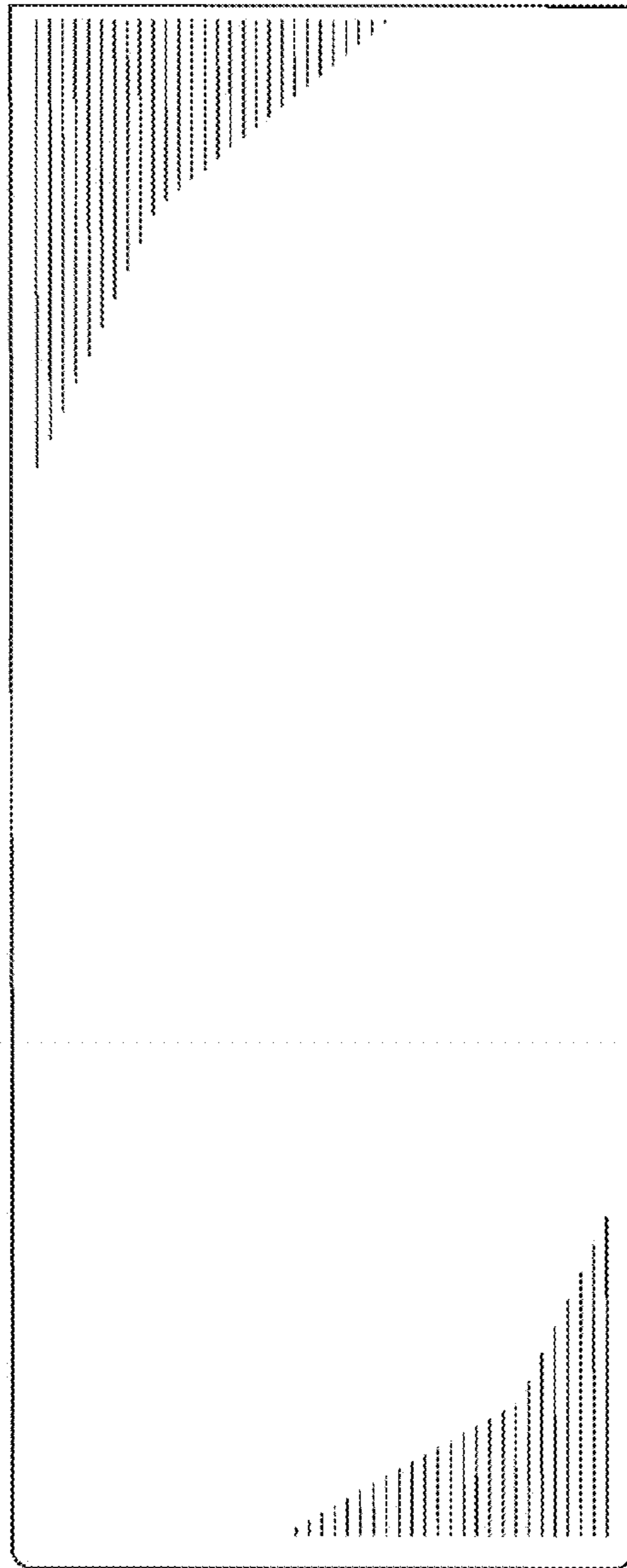


Fig. 4

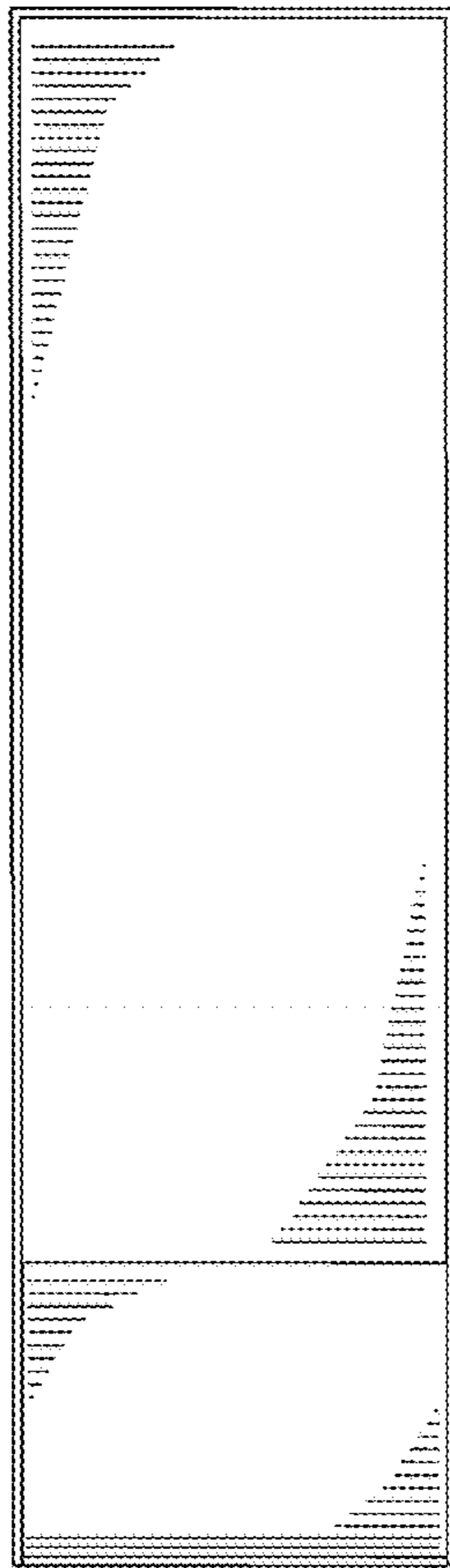


Fig. 5

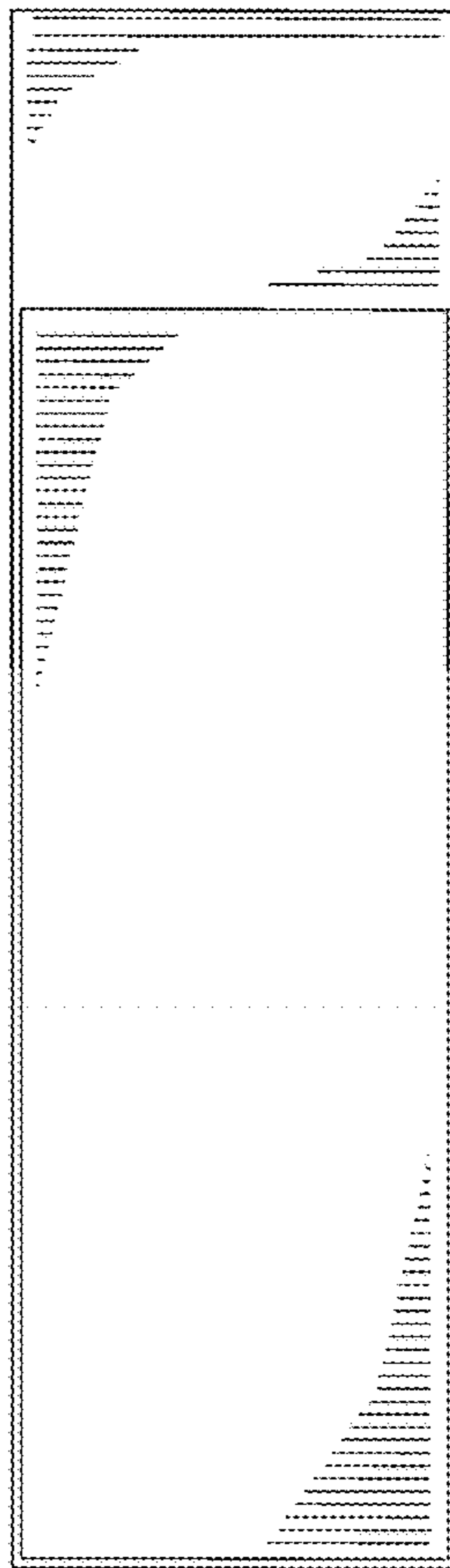


Fig. 6



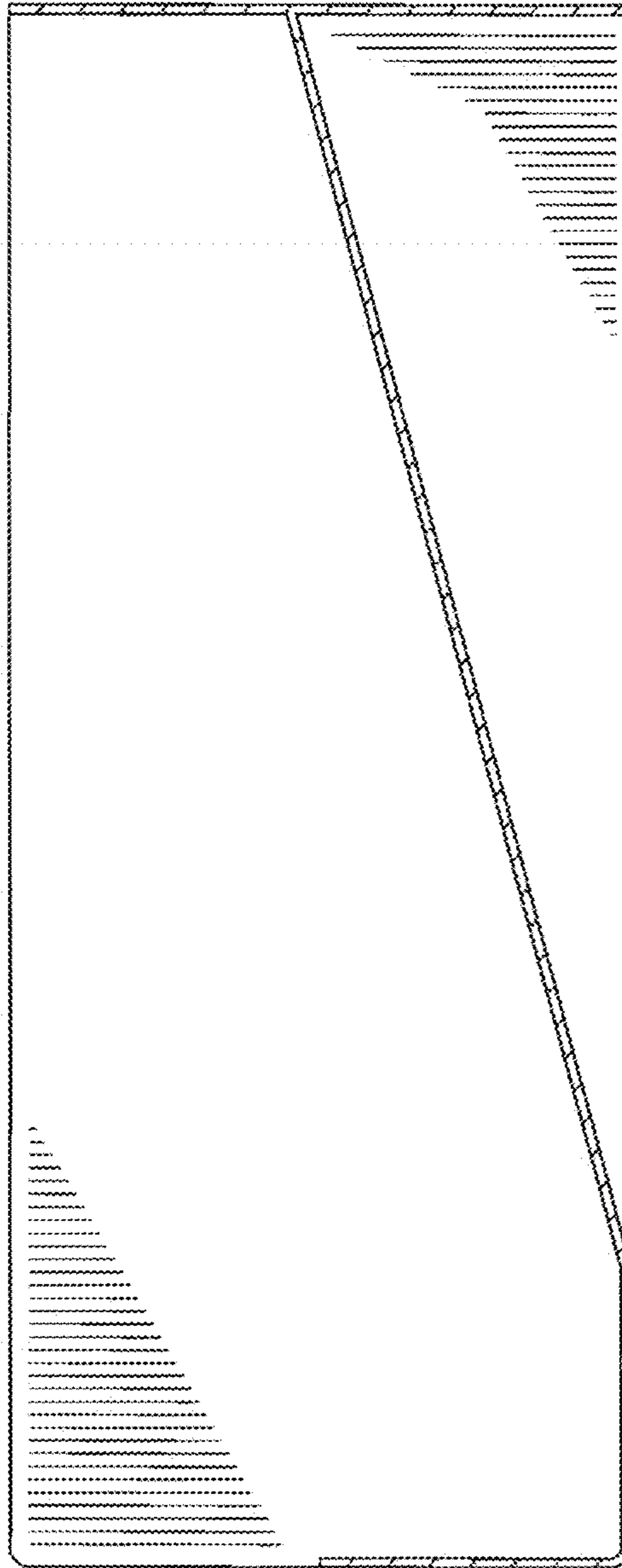


Fig. 7