



US00D781621S

(12) **United States Design Patent** (10) **Patent No.:** **US D781,621 S**
Nava (45) **Date of Patent:** **** Mar. 21, 2017**

- (54) **DISPLAY RACK** 4,666,201 A * 5/1987 Chap A47J 47/16
108/64
- (71) Applicant: **Grupo Bimbo, S.A.B. de C.V.**, Mexico D429,435 S * 8/2000 Walters-Dowding D6/566
(MX) D437,165 S * 2/2001 Goodman D7/600.4
D452,533 S * 12/2001 Goodman D19/90
- (72) Inventor: **Diana Araceli Lara Nava**, Toluca D629,258 S * 12/2010 Tiemann D6/566
(MX) D677,530 S * 3/2013 Goodman D7/600.4
D696,049 S * 12/2013 Hsu D6/675.2
- (73) Assignee: **GRUPO BIMBO, S.A.B. DE C.V.**, D736,014 S * 8/2015 Tsai D6/675.2
Mexico City (MX) D739,681 S * 9/2015 Bee D7/600.4
D753,939 S * 4/2016 Tsai D6/678.4
D760,033 S * 6/2016 Khaitan D7/600.4
D761,043 S * 7/2016 Snider D6/675.2
- (**) Term: **15 Years** 2005/0006541 A1 * 1/2005 Magnusson A47B 96/1416
248/235
- (21) Appl. No.: **29/539,387**
- (22) Filed: **Sep. 14, 2015**

- (30) **Foreign Application Priority Data**
- Mar. 12, 2015 (MX) MX/f/2015/000839
- (51) **LOC (10) Cl.** **06-06**
- (52) **U.S. Cl.**
- USPC **D6/675.2**
- (58) **Field of Classification Search**
- USPC .. D6/315, 317, 319, 329, 675, 675.2, 675.3,
D6/675.5, 678.4, 682, 680.1, 680.2,
D6/680.3; D7/600, 600.1-600.4,
D7/571-572, 576-577
- CPC A47B 73/002; A47B 73/00; A47B 73/004;
A47B 47/008; A47B 47/00; A47B
47/0058; A47F 5/00; A47F 5/0056; A47F
5/0062; B65D 21/0211
- See application file for complete search history.

- (56) **References Cited**
- U.S. PATENT DOCUMENTS**
- D167,341 S * 7/1952 Ferguson D6/566
- D285,156 S * 8/1986 Chap D6/566

OTHER PUBLICATIONS

Certified copy of Mexican Application No. Mx/f/2015/000839 filed Mar. 12, 2015, with certified English translation thereof.

* cited by examiner

Primary Examiner — Kelley Donnelly
(74) *Attorney, Agent, or Firm* — Brinks Gilson & Lione

(57) **CLAIM**

The ornamental design for display rack, as shown and described.

DESCRIPTION

FIG. 1 is a perspective view of the display rack;
FIG. 2 is a top plan view thereof;
FIG. 3 is a right side elevation view thereof, the left side elevation view is a mirror image of the right side; and,
FIG. 4 is a rear elevation view thereof.

1 Claim, 4 Drawing Sheets

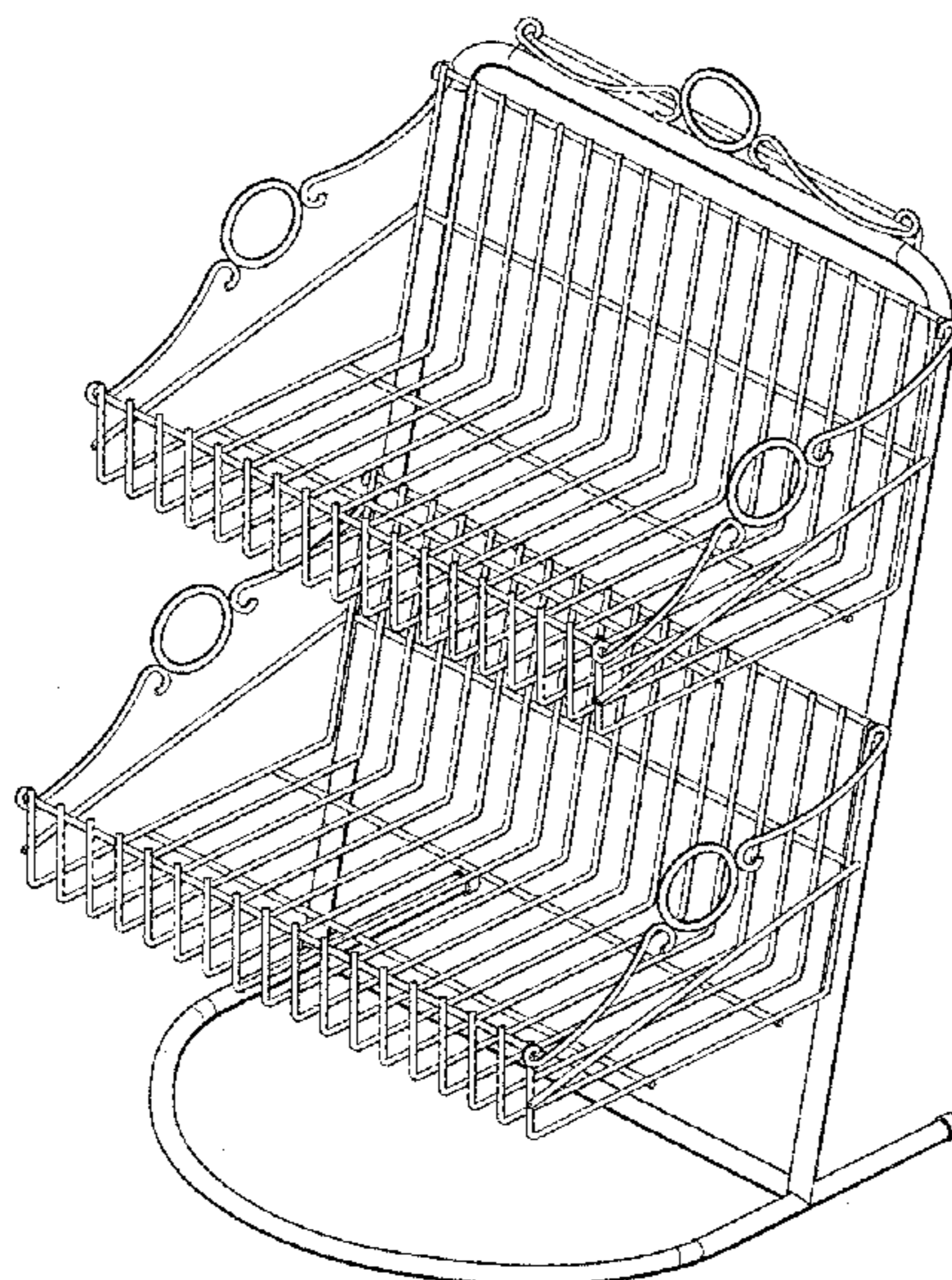


Fig. 1

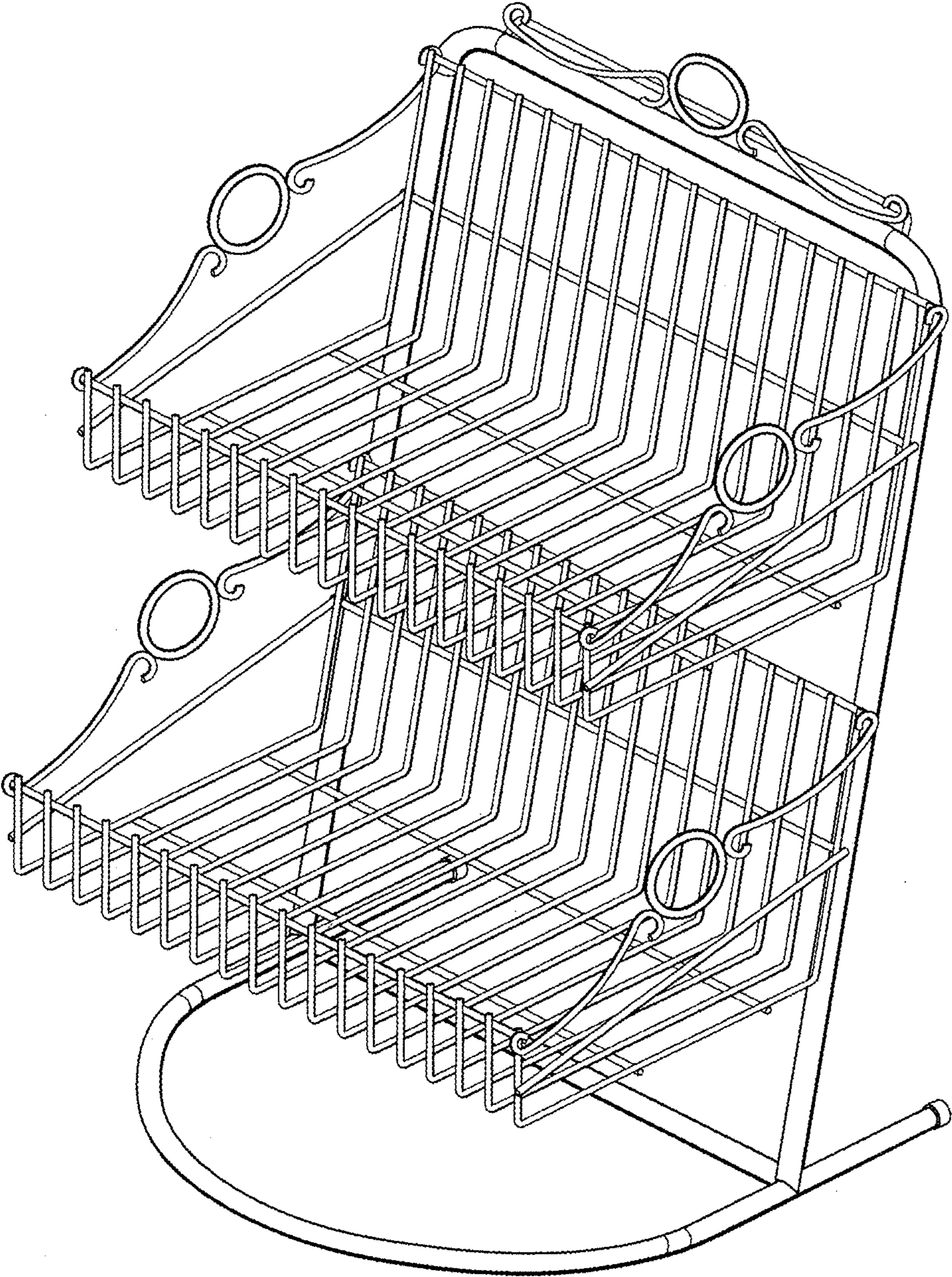


Fig. 2

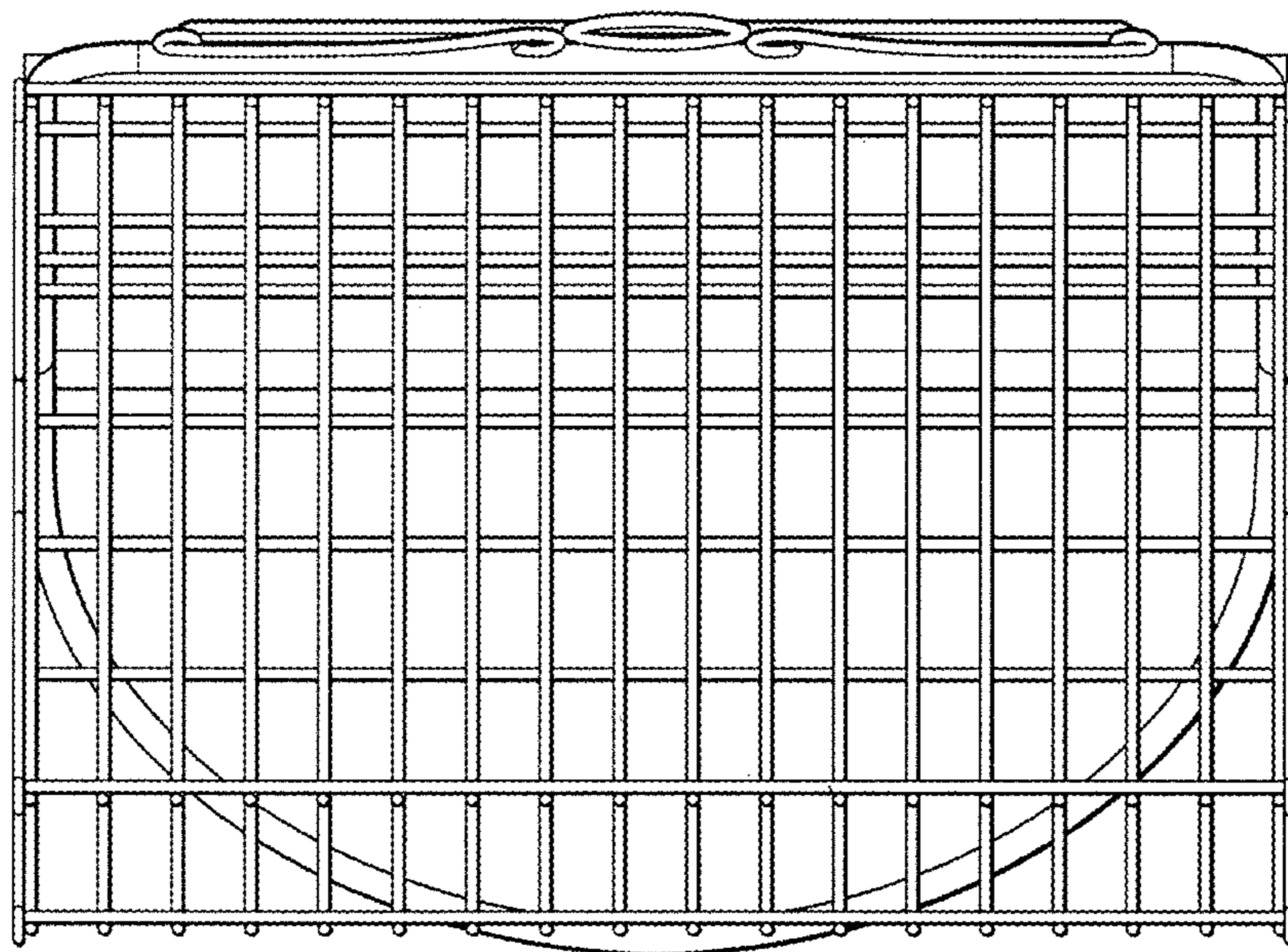


Fig. 3

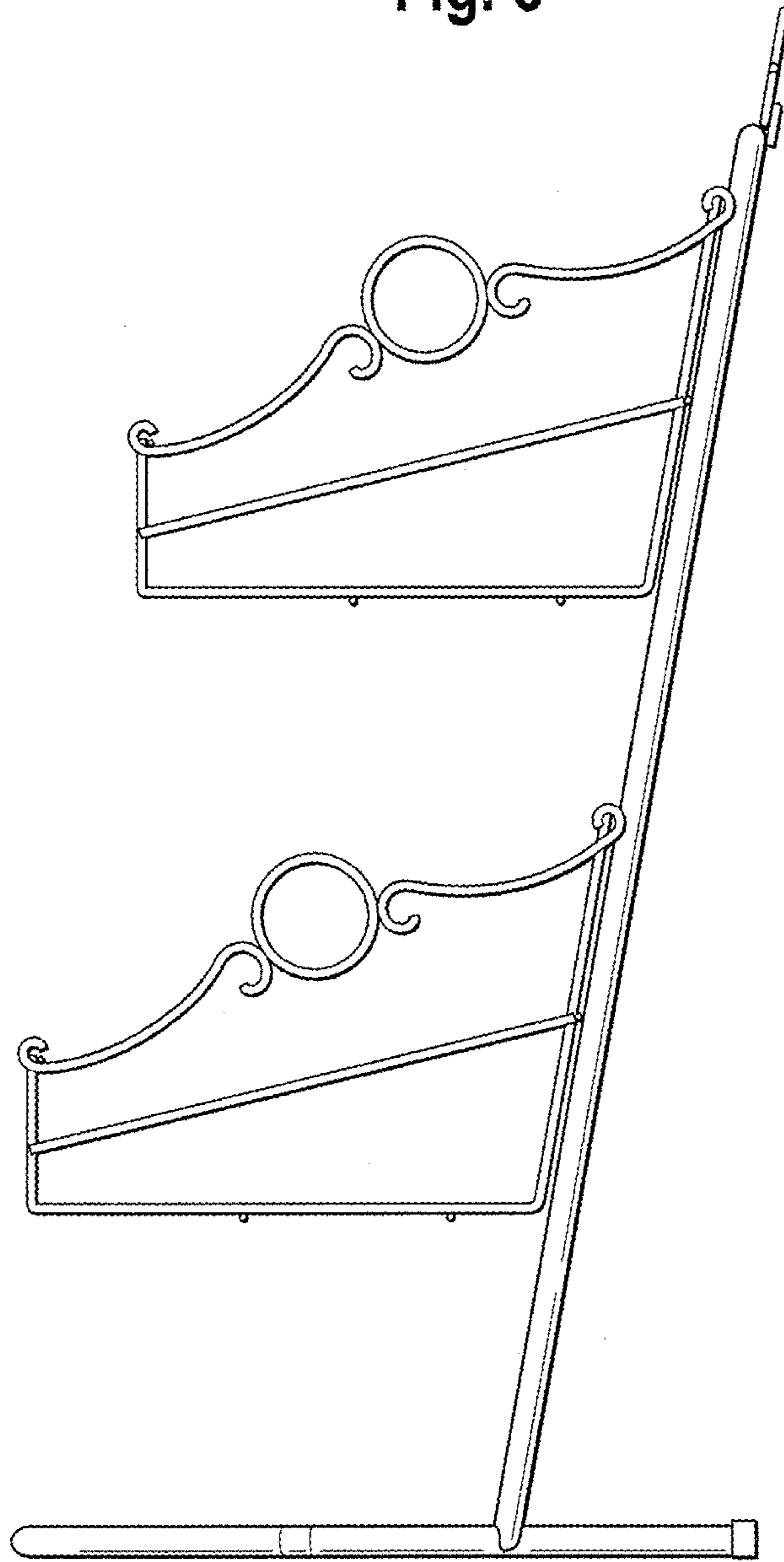


Fig. 4

