



US00D781619S

(12) **United States Design Patent**  
**Flaherty et al.**

(10) **Patent No.:** **US D781,619 S**

(45) **Date of Patent:** **\*\* \*Mar. 21, 2017**

- (54) **DESK**
- (71) Applicant: **Varidesk, LLC**, Coppell, TX (US)
- (72) Inventors: **Daniel G. Flaherty**, Irving, TX (US);  
**David Patton**, Flower Mound, TX (US)
- (73) Assignee: **Varidesk, LLC**, Coppell, TX (US)
- (\* ) Notice: This patent is subject to a terminal disclaimer.
- (\*\*) Term: **14 Years**
- (21) Appl. No.: **29/512,890**
- (22) Filed: **Dec. 23, 2014**
- (51) **LOC (10) Cl.** ..... **06-04**
- (52) **U.S. Cl.**  
USPC ..... **D6/655; D6/707.15**
- (58) **Field of Classification Search**  
USPC ..... D6/655, 662, 644, 654, 653.17, 653.14,  
D6/653.1, 653.11, 707.15; D14/305;  
108/139, 95-96, 141  
CPC ..... A47B 3/00; A47B 3/002; A47B 41/00;  
A47B 41/02; A47B 21/00; A47B 21/02;  
A47B 17/02  
See application file for complete search history.

- D288,876 S 3/1987 Goetz et al.
- 4,781,126 A 11/1988 Lochridge
- D303,187 S 9/1989 Mickelsen
- 4,926,760 A 5/1990 Sack
- D311,291 S 10/1990 Ugalde
- D323,436 S 1/1992 Harrison
- D323,437 S 1/1992 Hashimoto et al.
- D342,242 S 12/1993 Hassel et al.

(Continued)

**OTHER PUBLICATIONS**

Examination Report issued Aug. 20, 2015 in Australian Patent Application No. 363053.

(Continued)

*Primary Examiner* — Rosemary K Tarcza

*Assistant Examiner* — James Thorn, Sr.

(74) *Attorney, Agent, or Firm* — Venable LLP; Steven J. Schwarz

(57) **CLAIM**

The ornamental design for a desk, as shown and described.

**DESCRIPTION**

FIG. 1 is a front-right perspective of an embodiment of the desk according to the claimed design shown in a lowered position;

FIG. 2 is a front view of the desk of FIG. 1;

FIG. 3 is a rear view of the desk of FIG. 1;

FIG. 4 is a left side view of the desk of FIG. 1;

FIG. 5 is a right side view of the desk of FIG. 1;

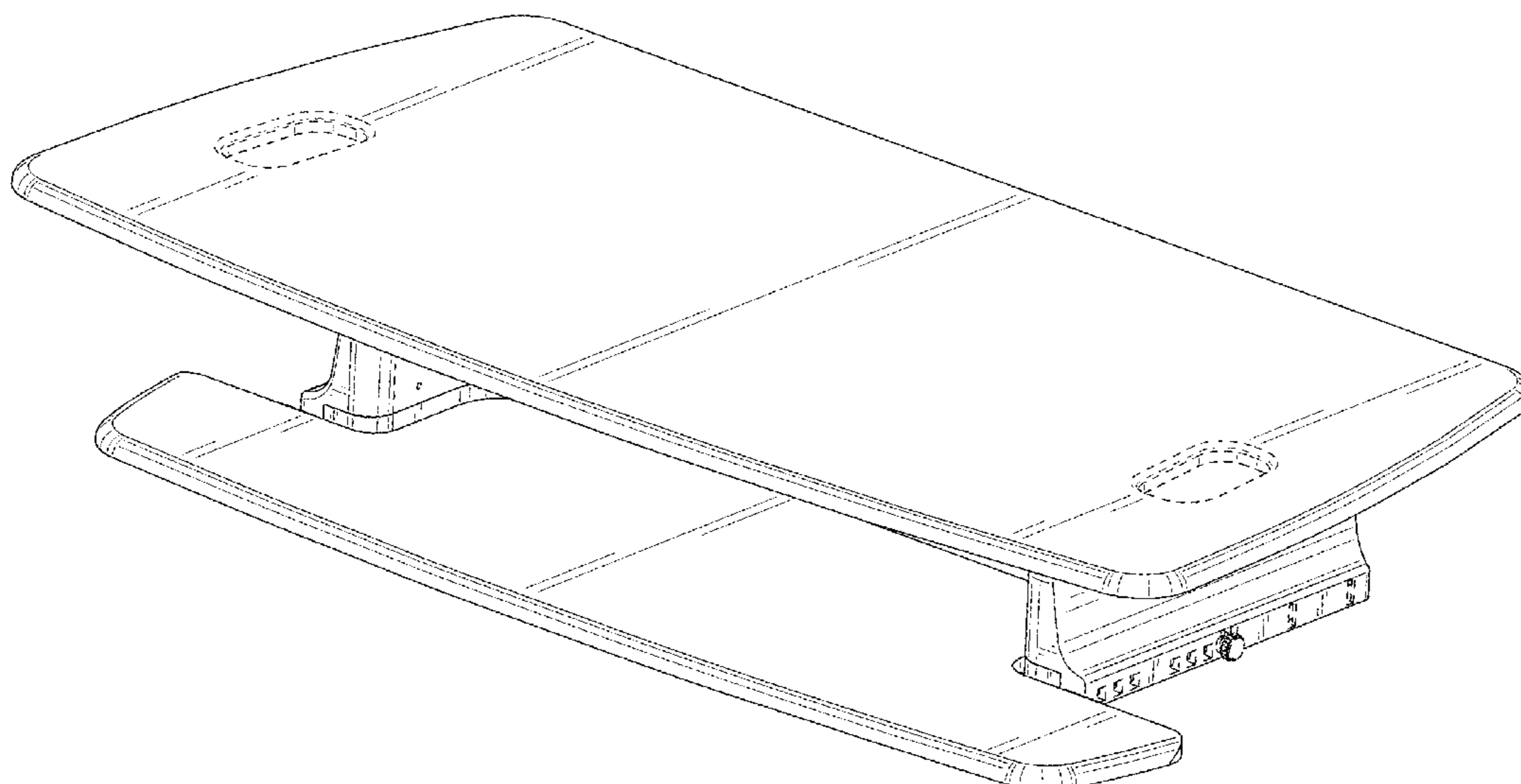
FIG. 6 is a top view of the desk of FIG. 1; and,

FIG. 7 is a front-right perspective of the desk of FIG. 1 shown in a raised position.

The features shown in broken lines represent portions of the desk which form no part of the claimed design.

**1 Claim, 7 Drawing Sheets**

- (56) **References Cited**  
U.S. PATENT DOCUMENTS
- 1,824,822 A 9/1931 Kradolfer
- 2,545,515 A 3/1951 Gannett et al.
- D166,377 S 4/1952 Curtis et al.
- 3,474,743 A 10/1969 Blevins
- D267,374 S 12/1982 Karson
- 4,515,086 A 5/1985 Kwiecinski et al.
- D280,478 S 9/1985 Stephens
- D286,353 S 10/1986 Robolin



(56)

References Cited

U.S. PATENT DOCUMENTS

D344,864 S 3/1994 Leonard  
 D365,465 S 12/1995 Kniefel et al.  
 5,490,466 A 2/1996 Diffrient  
 D372,817 S 8/1996 Stevens  
 5,549,052 A 8/1996 Hoffman  
 D395,969 S \* 7/1998 Barlow-Lawson ..... D6/707.15  
 5,823,120 A 10/1998 Holmquist  
 D424,828 S \* 5/2000 Ko ..... D6/653.1  
 D428,279 S \* 7/2000 Olson ..... D6/707.15  
 D435,368 S \* 12/2000 Tzeng ..... D6/654  
 D436,268 S \* 1/2001 Ko ..... D6/653.21  
 D447,646 S \* 9/2001 Chang ..... D6/653.12  
 D464,212 S \* 10/2002 Chen ..... D6/653.1  
 D486,669 S \* 2/2004 Wang ..... D6/653.1  
 D499,576 S \* 12/2004 Long ..... D6/653.17  
 D530,939 S \* 10/2006 Nakamura ..... D6/654.21  
 7,201,108 B2 4/2007 Eusebi et al.  
 D583,587 S \* 12/2008 Lai ..... D6/655.19  
 D586,155 S \* 2/2009 Lenterman ..... D6/654  
 7,594,475 B1 9/2009 Huang  
 D602,290 S 10/2009 Erickson et al.  
 7,654,208 B2 2/2010 Patten  
 D612,643 S \* 3/2010 Rossini ..... D6/707.15  
 8,065,966 B1 11/2011 Bacon et al.  
 D652,229 S \* 1/2012 Madison ..... D6/655  
 D681,979 S \* 5/2013 Keen ..... D6/691  
 D691,223 S \* 10/2013 Hao ..... D21/694  
 8,671,853 B2 \* 3/2014 Flaherty ..... A47B 9/18  
 108/138  
 D716,074 S \* 10/2014 Kitajima ..... D6/654.21  
 D730,668 S 6/2015 Fletcher  
 D733,476 S \* 7/2015 Papic ..... D6/655.16  
 D734,413 S 7/2015 Bettin et al.  
 9,113,703 B2 8/2015 Flaherty  
 2003/0116066 A1 6/2003 Ken  
 2003/0140822 A1 7/2003 Seiler et al.  
 2003/0230222 A1 \* 12/2003 Liu ..... A47B 21/03  
 108/50.01  
 2004/0040480 A1 3/2004 Hwang  
 2005/0039643 A1 2/2005 Dailey  
 2005/0045072 A1 \* 3/2005 Rossini ..... A47B 21/0314  
 108/50.01  
 2005/0284341 A1 \* 12/2005 Klassy ..... A47B 21/00  
 108/50.02  
 2006/0096505 A1 5/2006 Sykes  
 2007/0163475 A1 7/2007 Murphy  
 2008/0072803 A1 \* 3/2008 Korber ..... A47B 21/00  
 108/50.01  
 2008/0149000 A1 6/2008 Normand et al.

2008/0203865 A1 8/2008 Chouinard et al.  
 2010/0031855 A1 2/2010 Zhu  
 2011/0247532 A1 10/2011 Jones  
 2013/0139736 A1 \* 6/2013 Flaherty ..... A47B 9/18  
 108/106  
 2013/0167757 A1 7/2013 Tsai et al.  
 2013/0340655 A1 12/2013 Flaherty  
 2014/0020606 A1 1/2014 Benden  
 2014/0048671 A1 \* 2/2014 Tsai ..... A47B 27/18  
 248/371  
 2014/0123883 A1 5/2014 Jennings et al.  
 2014/0158026 A1 6/2014 Flaherty  
 2015/0272316 A1 10/2015 Flaherty  
 2015/0289641 A1 10/2015 Ergun et al.  
 2015/0296976 A1 10/2015 Janowski et al.  
 2016/0037907 A1 2/2016 Ergun et al.  
 2016/0073779 A1 3/2016 Ringlein

OTHER PUBLICATIONS

The 'Desktop Riser', published on *YouTube* at: <https://www.youtube.com/watch?v=WB0el5rQvio> on Oct. 9, 2014.  
 The 'Desktop Riser', published on *Twitter* at <https://twitter.com/pookimum> on Nov. 12, 2014.  
 The 'Desktop Riser', published on <http://standingdeskgeek.com/varidesk-pro-plus-review/> Internet site on Nov. 20, 2014.  
 Examination Report issued Oct. 14, 2015 in Australian Design Registration No. 363977.  
 "Pro Plus 48 Height-Adjustable Standing Desk Animation Video", published on *YouTube* at: <https://www.youtube.com/watch?v=XKrVByT6pq8> on Oct. 31, 2014.  
 "Varidesk Pro Plus 48 Standing Desk", published on *YouTube* at: <https://www.youtube.com/watch?v=YLOWdR51XfA> on Nov. 7, 2014.  
 "Varidesk Pro Plus 48 is massive", published on *Twitter* at: <https://twitter.com/johnbristowe/status/545773679653552129> on Dec. 18, 2014.  
 "Varidesk Pro Plus 48", published on *YouTube* at: <https://www.youtube.com/watch?v=UNpGsnQPxAA> on Dec. 22, 2014.  
 Notice of Allowance issued Nov. 3, 2016 in Design U.S. Appl. No. 29/512,873.  
 Notice of Allowance issued Nov. 8, 2016 in Design U.S. Appl. No. 29/512,858.  
 Office Action issued Aug. 17, 2016 in Design U.S. Appl. No. 29/512,891.  
 Notice of Allowance issued Aug. 5, 2016 in Design U.S. Appl. No. 29/512,918.  
 Notice of Allowance issued Aug. 8, 2016 in Design U.S. Appl. No. 29/512,877.

\* cited by examiner

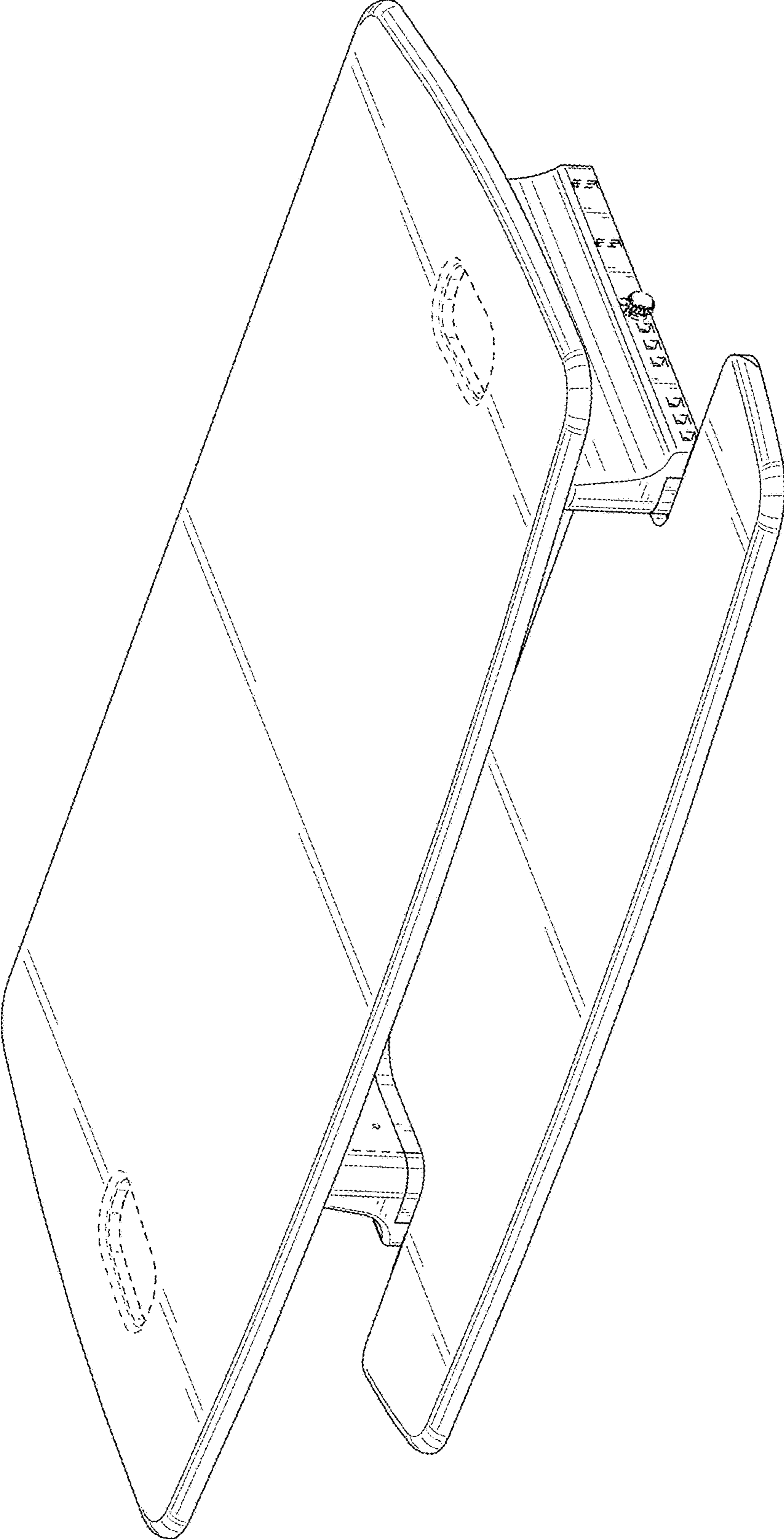


FIG. 1



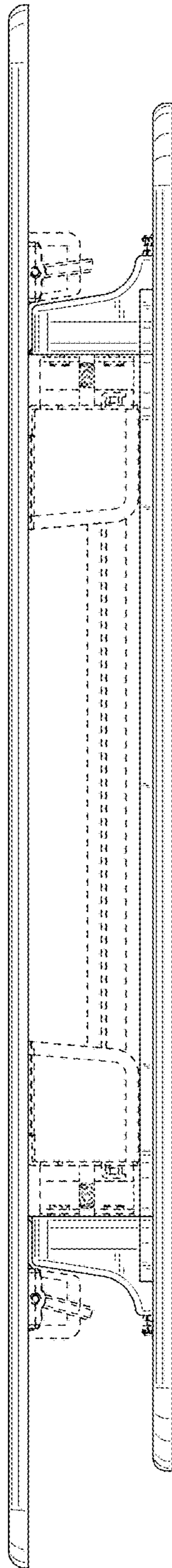


FIG. 2

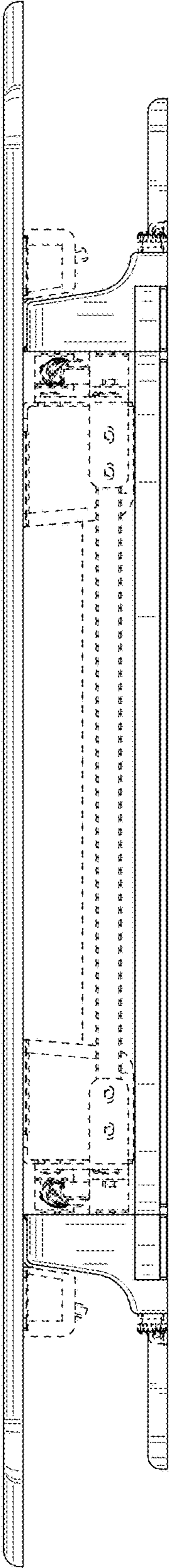


FIG. 3

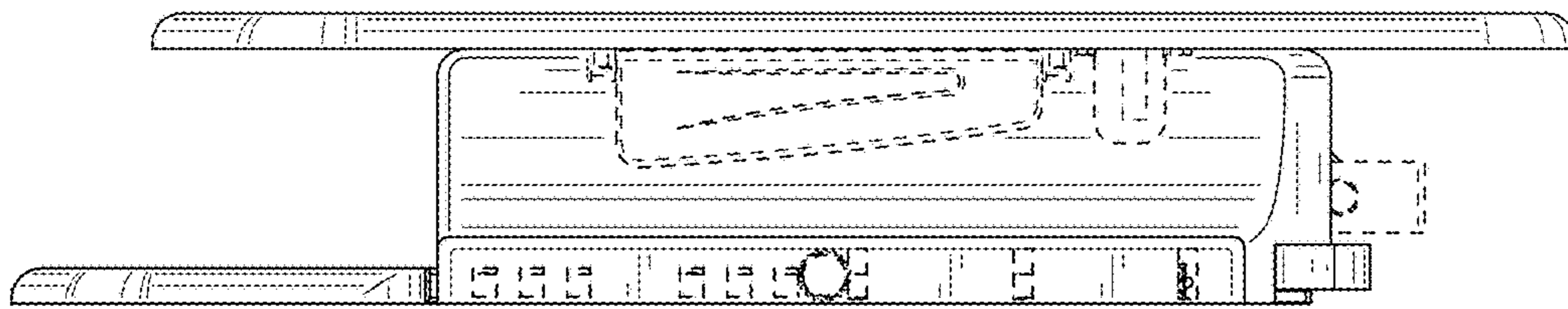


FIG. 4

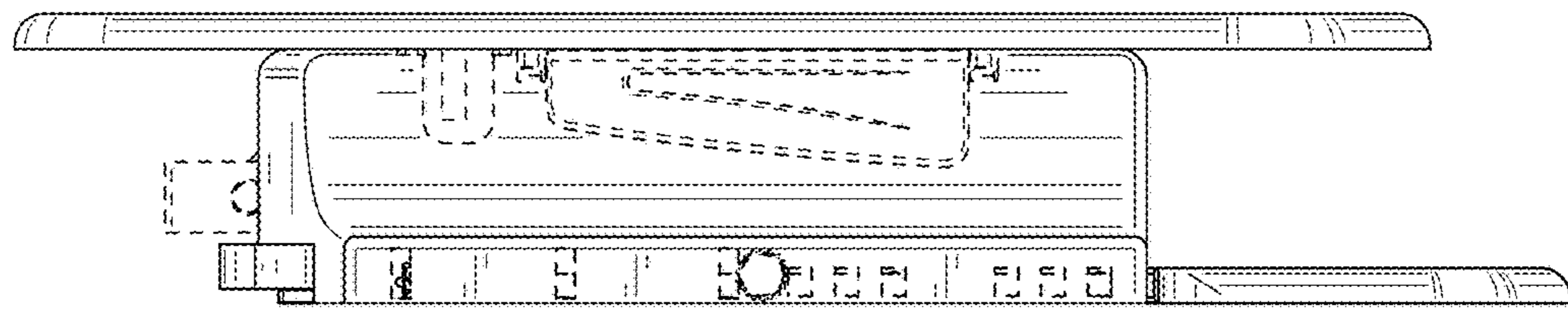


FIG. 5

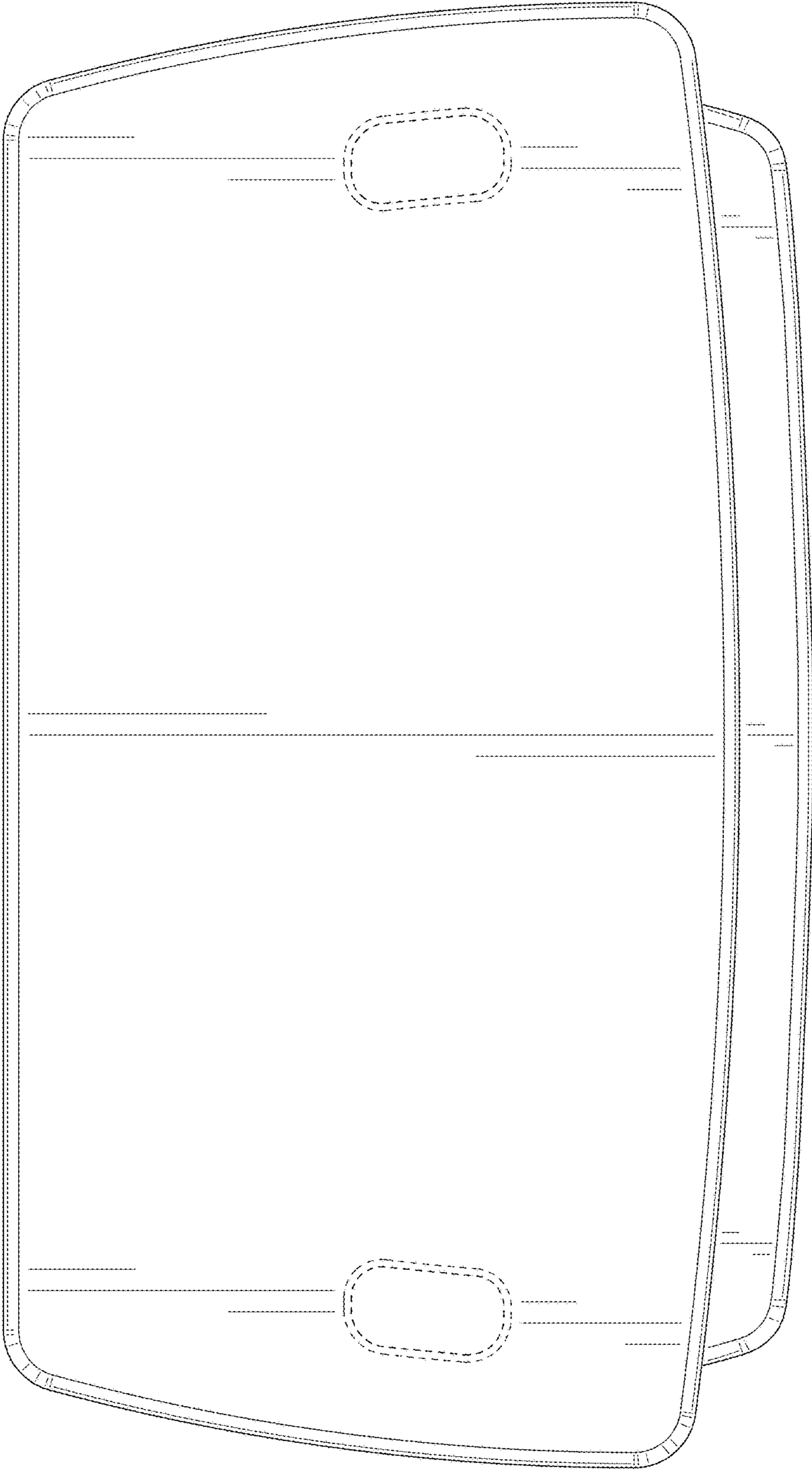


FIG. 6



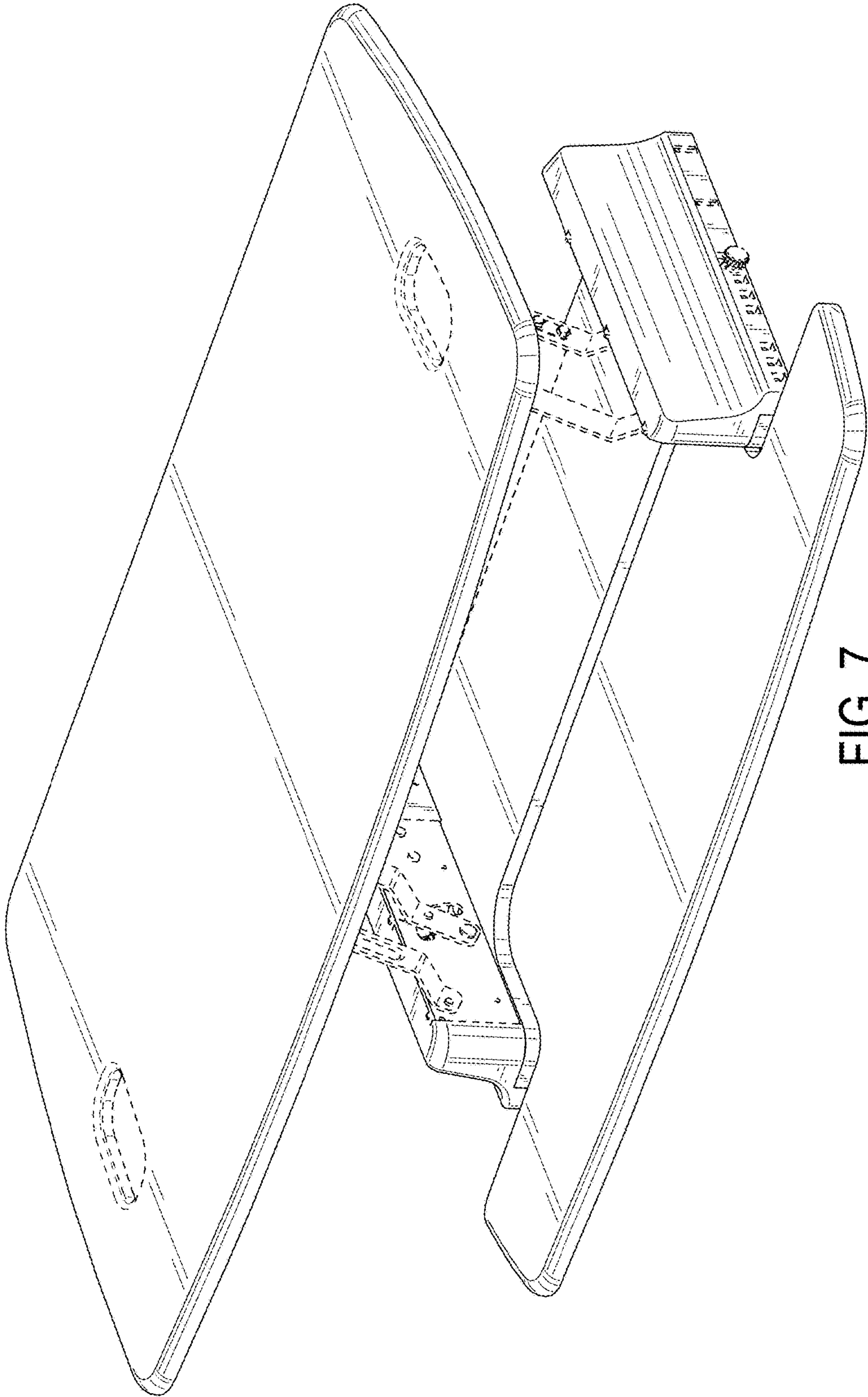


FIG. 7