



US00D781612S

(12) **United States Design Patent**
Myers

(10) **Patent No.:** **US D781,612 S**
(45) **Date of Patent:** **** Mar. 21, 2017**

(54) **MEDIA STAND**

(71) Applicant: **Valerie L. Myers**, Canton, MI (US)

(72) Inventor: **Valerie L. Myers**, Canton, MI (US)

(**) Term: **15 Years**

(21) Appl. No.: **29/561,010**

(22) Filed: **Apr. 12, 2016**

(51) **LOC (10) Cl.** **06-06**

(52) **U.S. Cl.**
USPC **D6/407**

(58) **Field of Classification Search**
USPC D6/407, 462, 675.5, 678, 681, 681.1,
D6/681.2, 682, 512, 519, 708, 332, 712;
D25/1; D34/29, 38
CPC A47B 2097/005; A47B 2097/006; A47B
97/02; A47F 7/00
See application file for complete search history.

D353,158 S * 12/1994 Evenson D19/86
D410,686 S 6/1999 Wear
D433,712 S 11/2000 Walsh
D439,279 S * 3/2001 McColskey D19/86
D453,641 S 2/2002 Harvey
D476,828 S 7/2003 Harwanko
D488,511 S 4/2004 Hardy
D584,431 S * 1/2009 Meise D26/11
D634,099 S * 3/2011 Gillig D1/122

(Continued)

OTHER PUBLICATIONS

Prior Art—1986 by Valerie L. Myers © 1986.

Primary Examiner — Kelley Donnelly

(74) *Attorney, Agent, or Firm* — Avery N. Goldstein;
Blue Filament Law PLLC

(57) **CLAIM**

The ornamental design for a media stand, as shown and described.

(56) **References Cited**

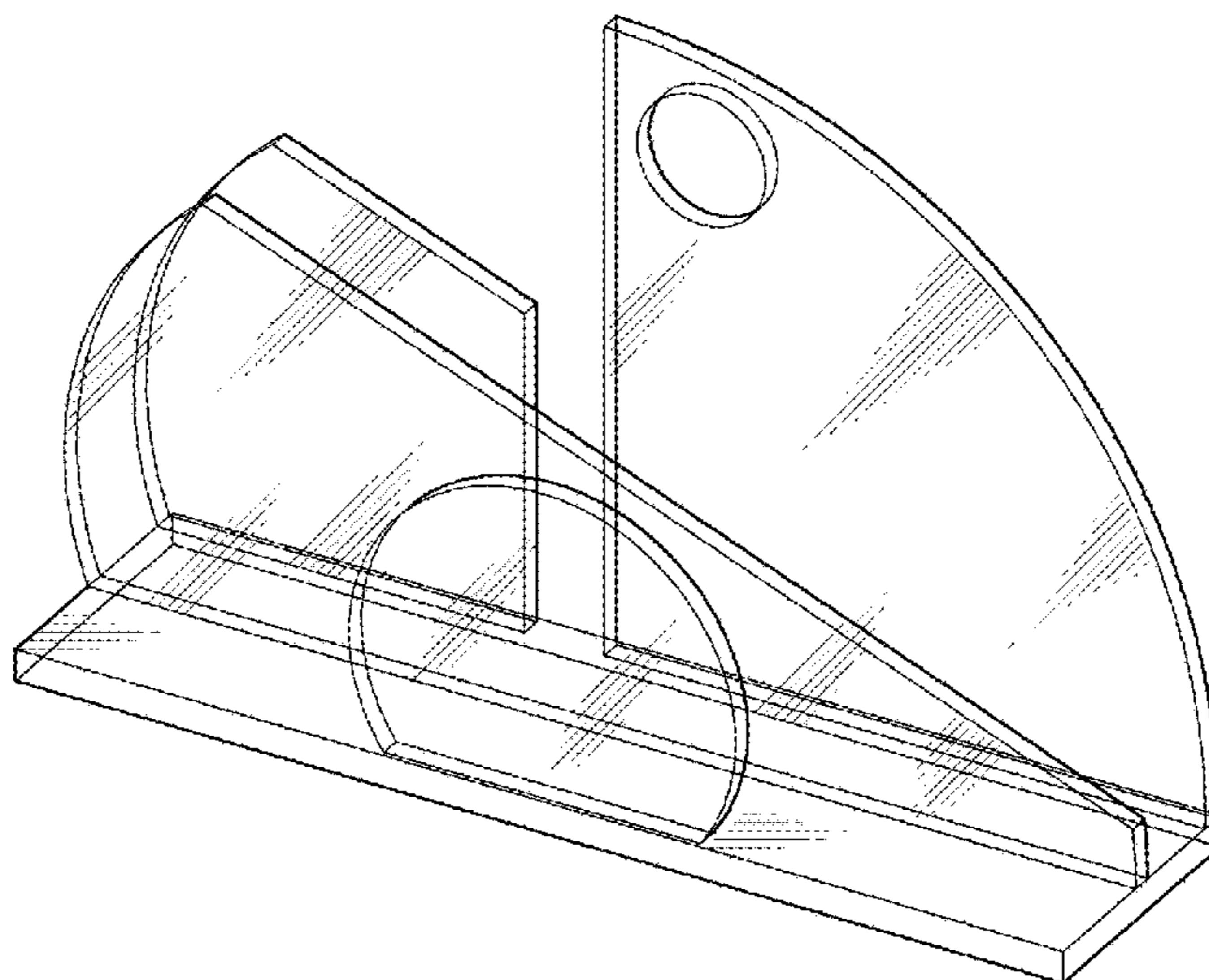
U.S. PATENT DOCUMENTS

1,780,872 A 11/1930 Dumben
2,294,595 A 9/1942 Dice
2,537,565 A 1/1951 Wolters
D186,672 S * 11/1959 Gilruth D19/92
2,914,183 A 11/1959 Vuici
3,063,567 A 11/1962 Campbell
3,086,658 A * 4/1963 Palmer B42D 5/005
206/449
3,171,542 A 3/1965 Jacobs et al.
D200,828 S 4/1965 Mack et al.
D207,413 S * 4/1967 Gardner D20/43
D257,199 S 10/1980 Hoke
D257,414 S 10/1980 Smith, III
D276,734 S * 12/1984 Landstrom D19/91
D278,663 S 5/1985 Zeischegg et al.
D282,338 S * 1/1986 Putt D7/504
D330,473 S * 10/1992 Lemire D19/90

DESCRIPTION

FIG. 1 is a front, elevated perspective view of the media stand;
FIG. 2 is a rear, elevated perspective view of the media stand;
FIG. 3 is a front view of the media stand depicted in FIG. 1;
FIG. 4 is a rear view of the media stand depicted in FIG. 1;
FIG. 5 is a left side view of the media stand depicted in FIG. 1;
FIG. 6 is a right side view of the media stand depicted in FIG. 1;
FIG. 7 is a top view of the media stand depicted in FIG. 1; and,
FIG. 8 is a bottom view of the media stand depicted in FIG. 1.

1 Claim, 3 Drawing Sheets



(56)

References Cited

U.S. PATENT DOCUMENTS

D665,451 S * 8/2012 Dambricourt D19/90
D698,568 S * 2/2014 Chen D6/407
D747,617 S * 1/2016 Xiong D6/683.1
2009/0223913 A1 9/2009 Shen

* cited by examiner

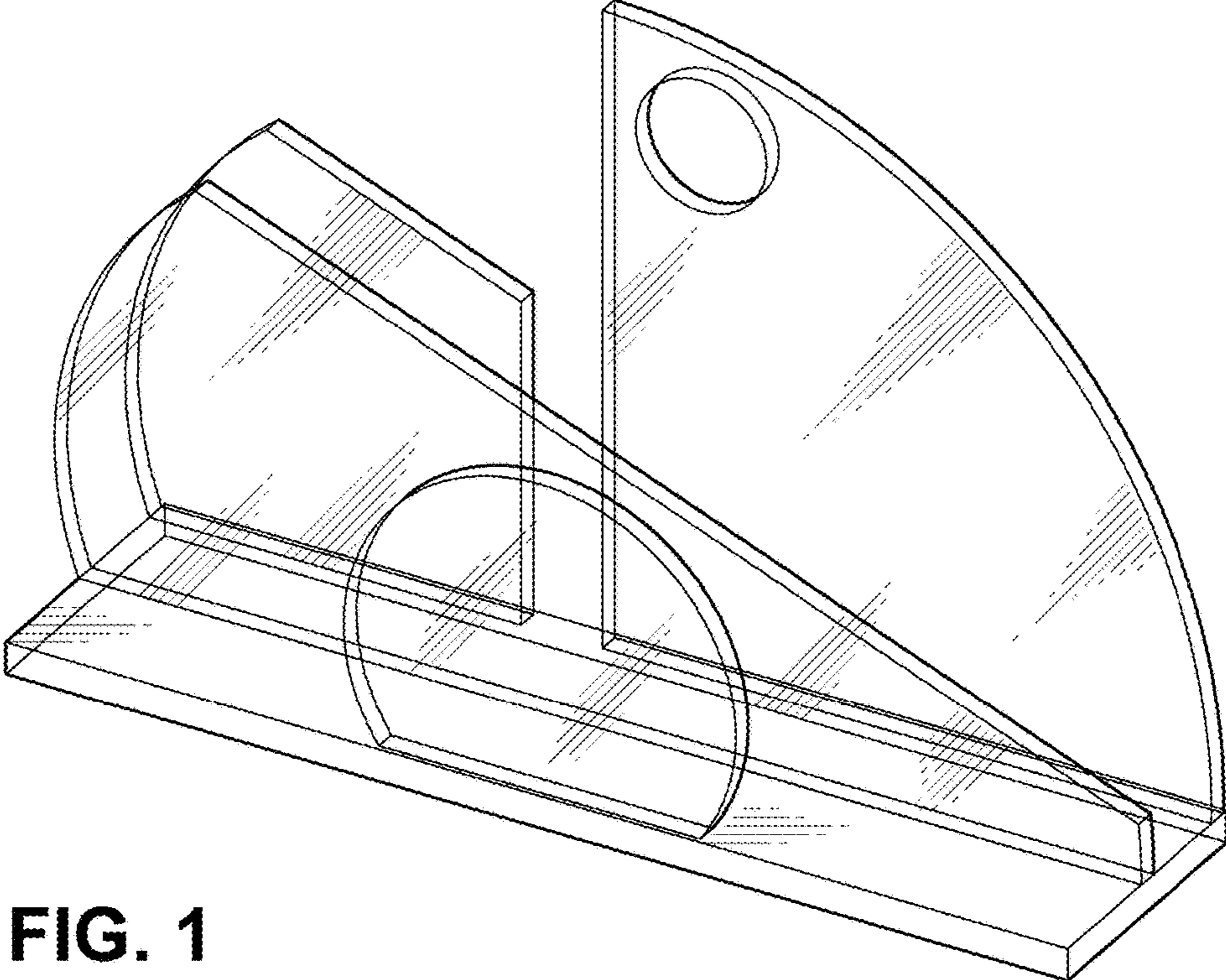


FIG. 1

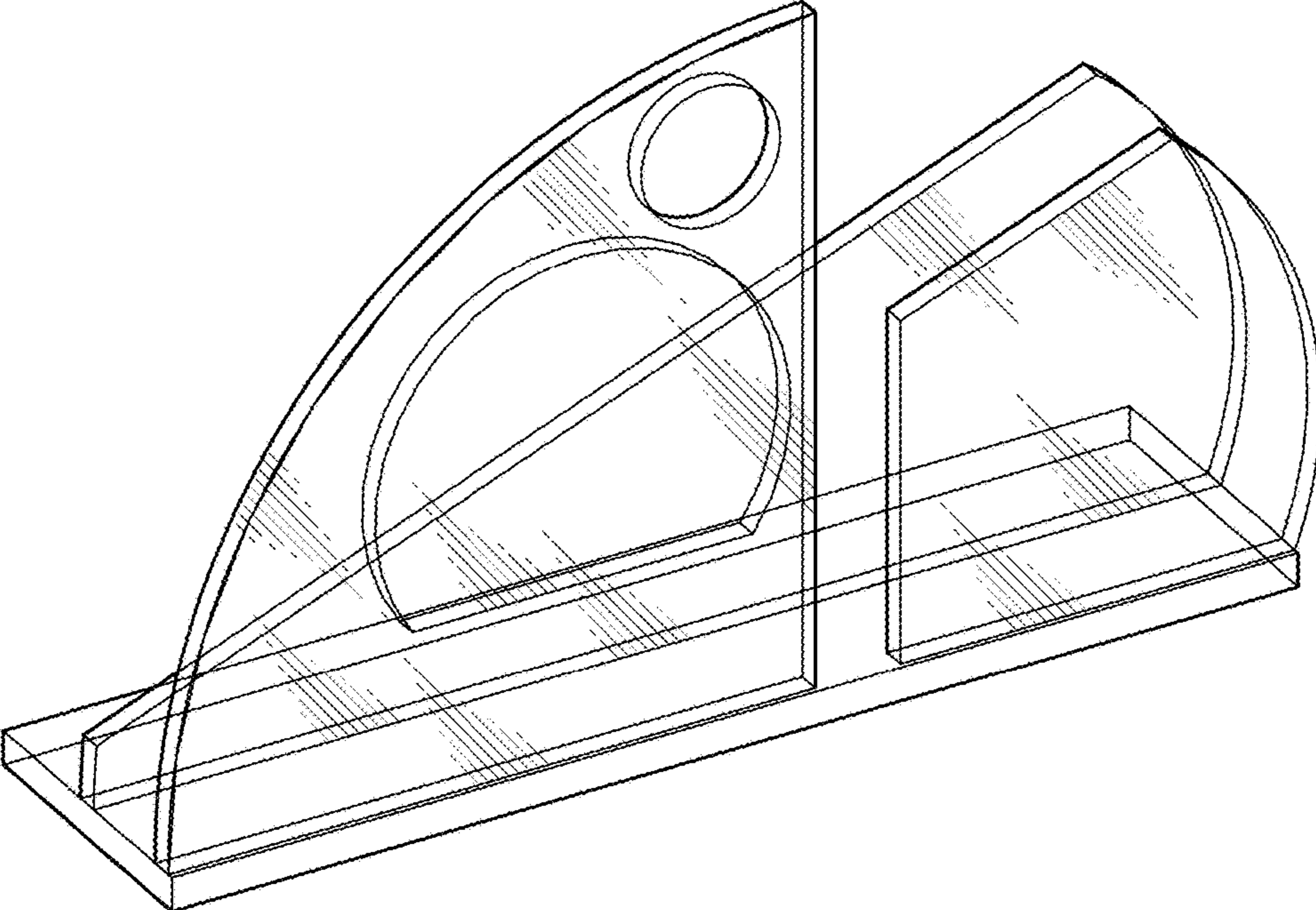


FIG. 2

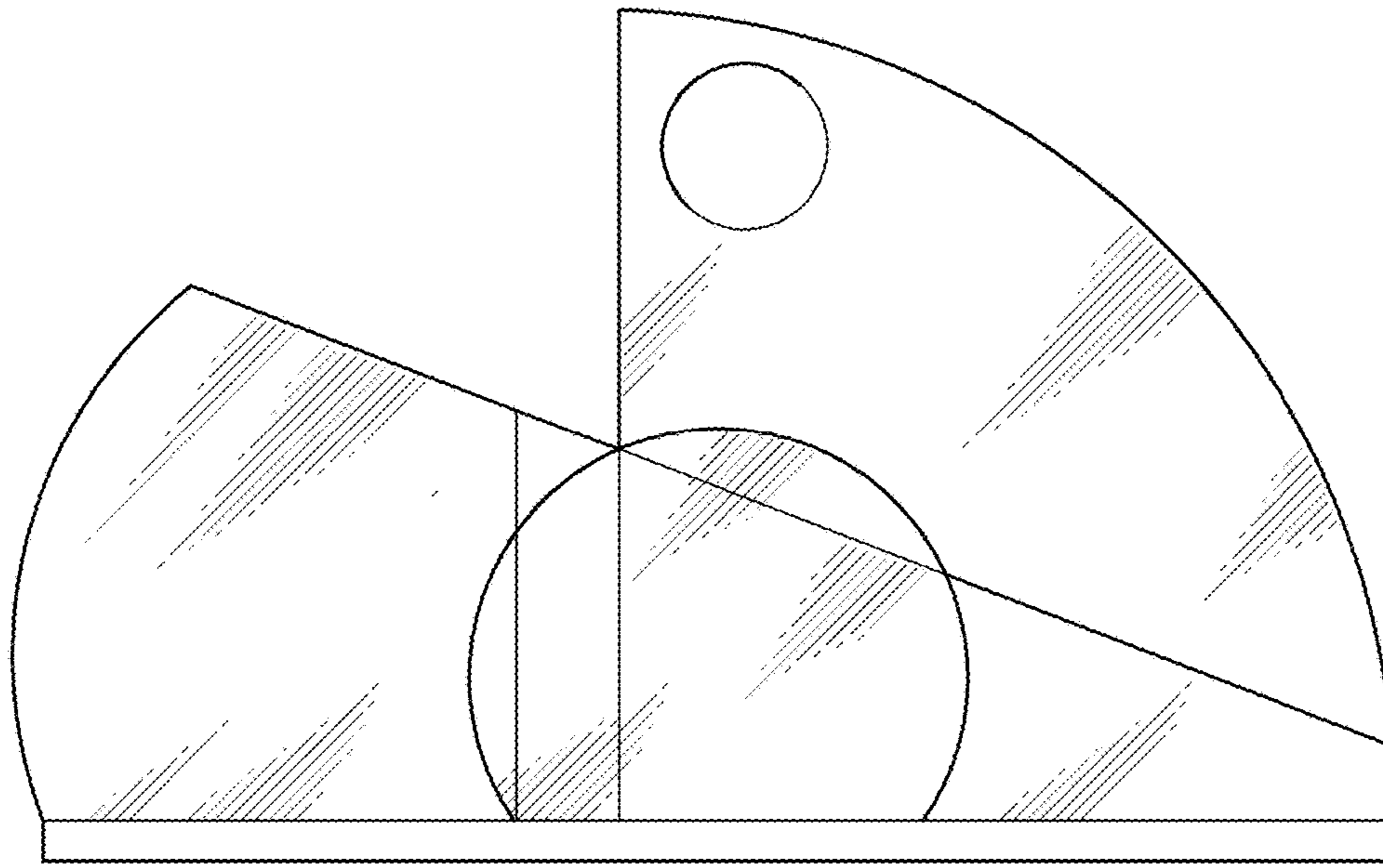


FIG. 3

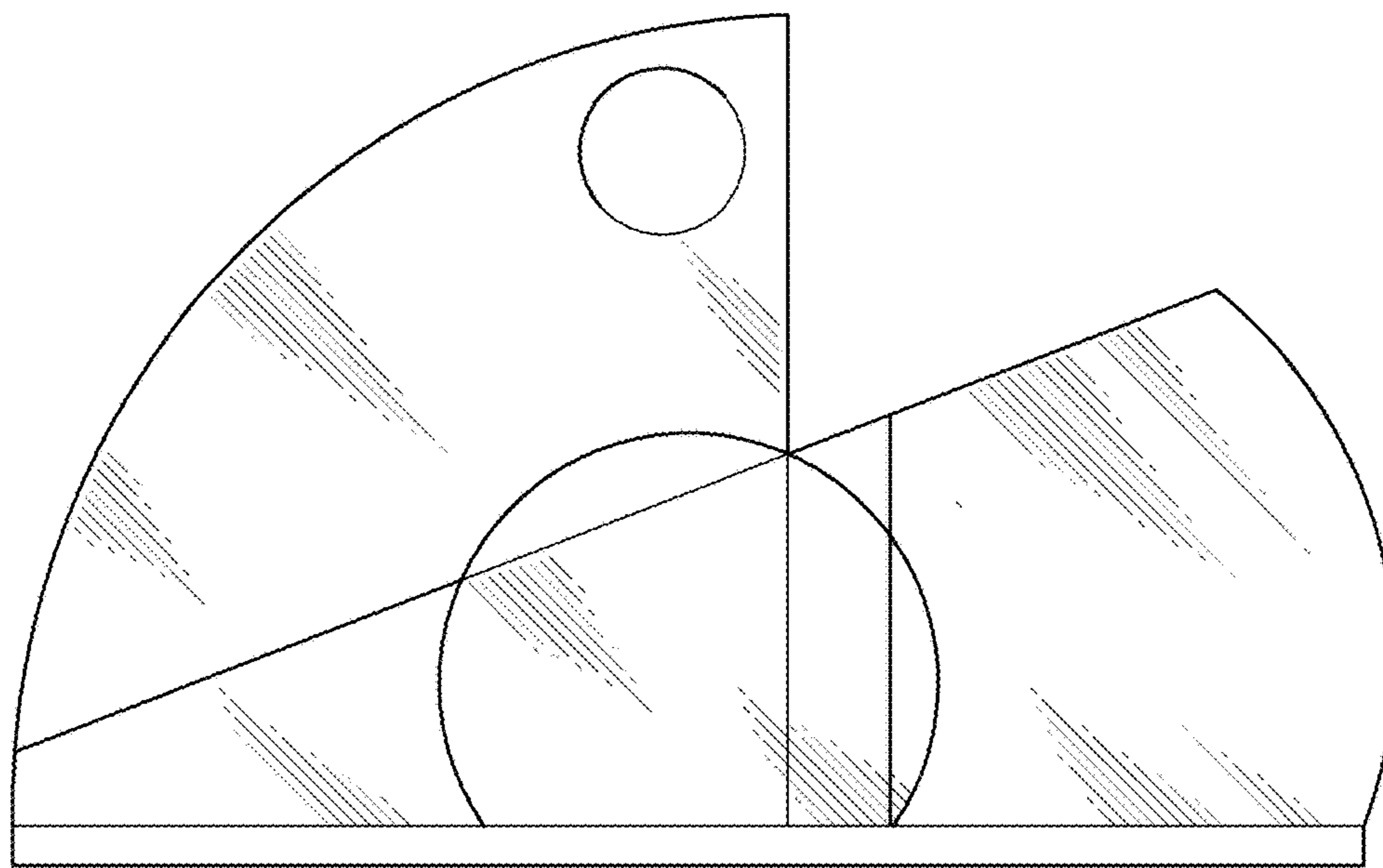


FIG. 4

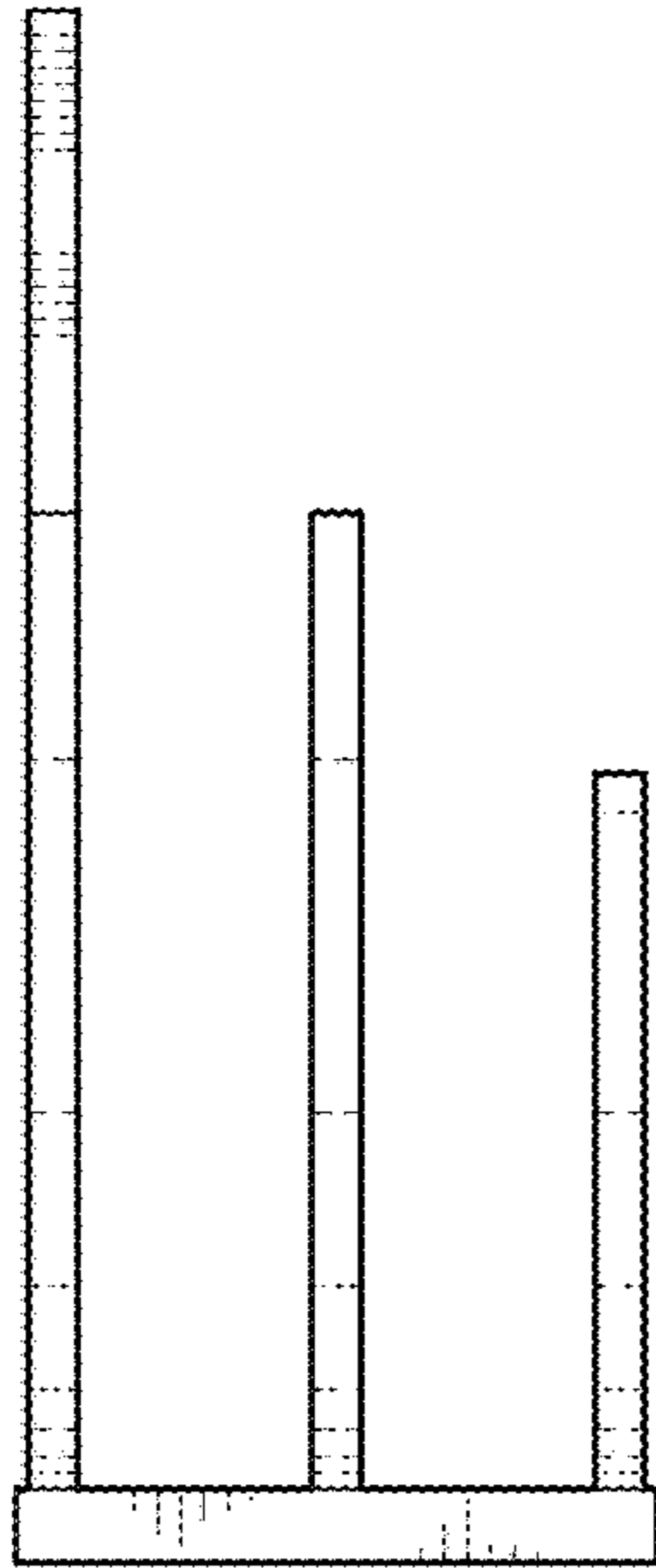


FIG. 5

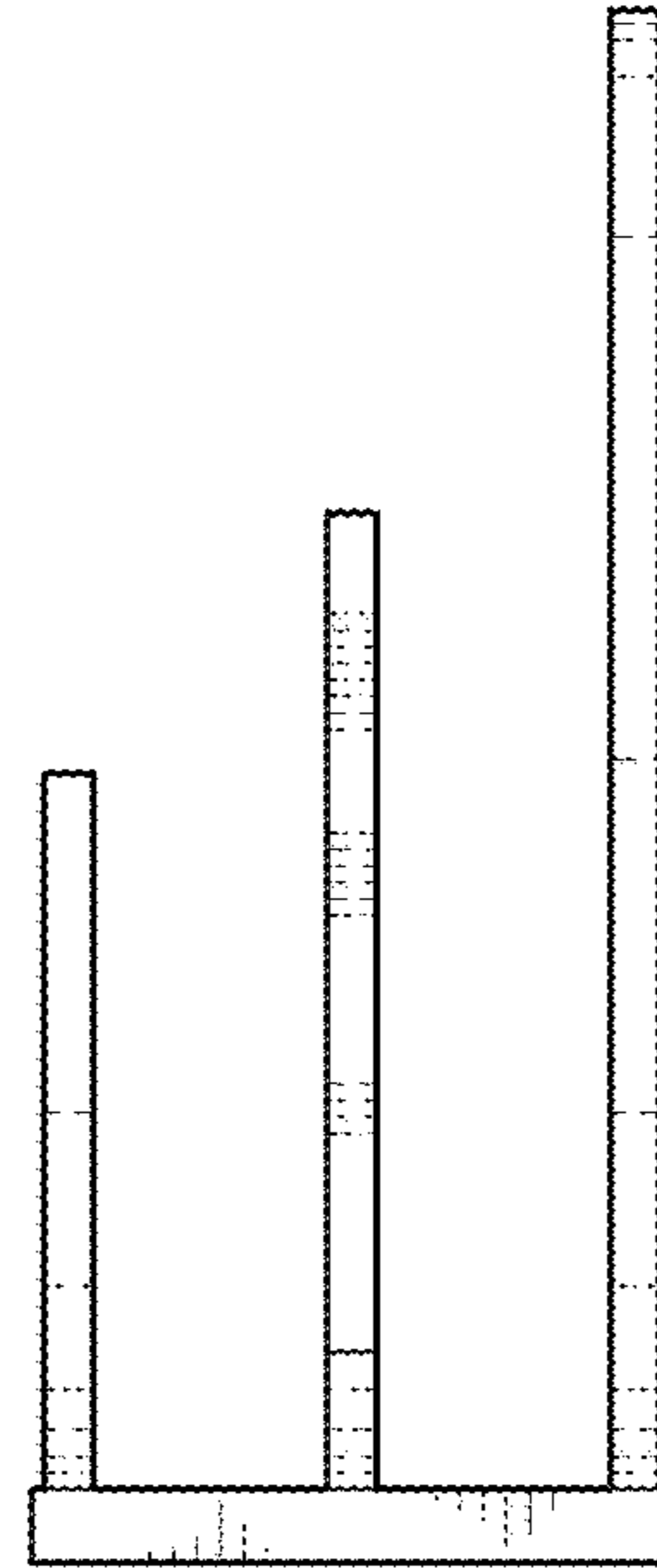


FIG. 6

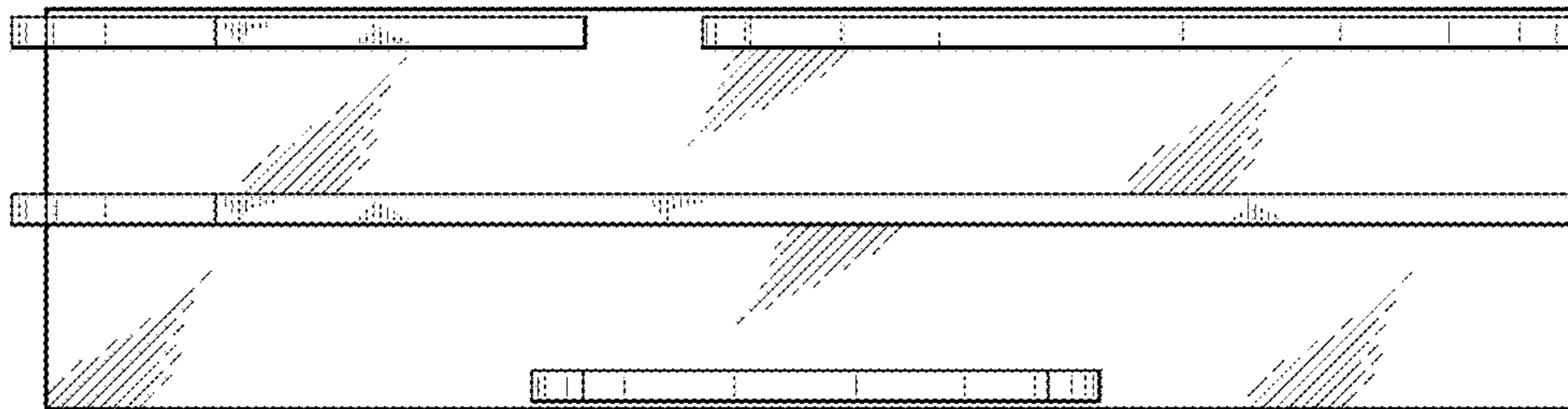


FIG. 7

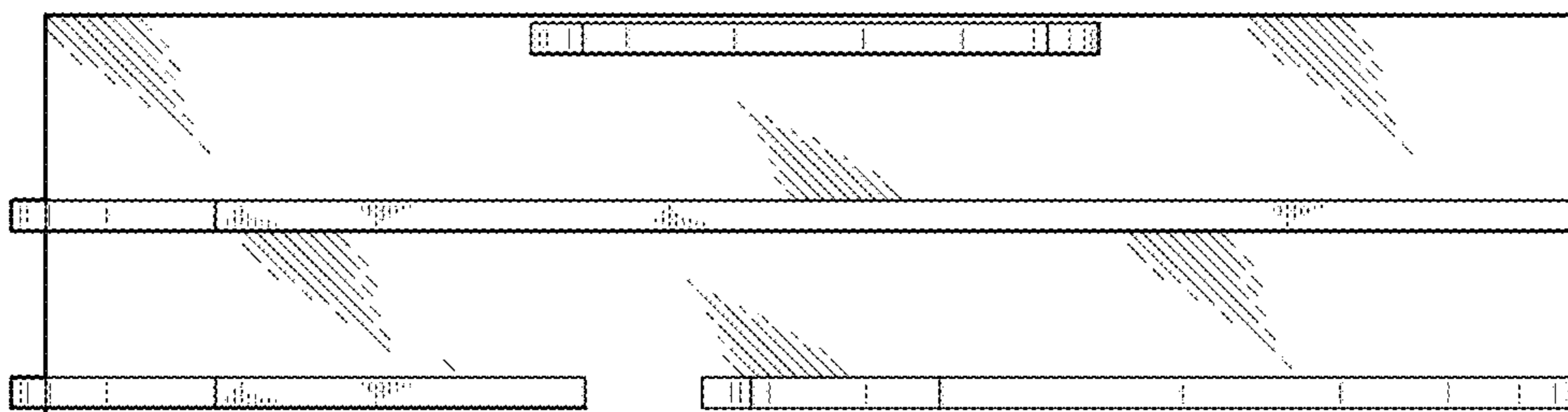


FIG. 8