



US00D781611S

(12) **United States Design Patent**
Westfall

(10) **Patent No.:** **US D781,611 S**

(45) **Date of Patent:** **** Mar. 21, 2017**

(54) **CHAIR**

(71) Applicant: **Christopher Alan Westfall**, Redwood City, CA (US)

(72) Inventor: **Christopher Alan Westfall**, Redwood City, CA (US)

(**) Term: **15 Years**

(21) Appl. No.: **29/505,792**

(22) Filed: **Feb. 10, 2016**

(51) **LOC (10) Cl.** **06-01**

(52) **U.S. Cl.**
USPC **D6/379**

(58) **Field of Classification Search**
USPC D6/334-336, 360-381, 388, 403, 716, D6/716.1-716.4, 717
CPC .. A47C 3/023; A47C 3/04; A47C 3/12; A47C 3/14; A47C 4/02; A47C 4/03; A47C 4/04; A47C 7/16; A47C 7/40; A47C 7/54; A47C 5/04; A47C 5/046; A47C 5/06
See application file for complete search history.

(56) **References Cited**

U.S. PATENT DOCUMENTS

D173,930 S * 2/1955 Belden D6/379
D180,558 S * 7/1957 Jiranek D6/375

D183,618 S * 9/1958 Kofod-Larsen D6/379
D184,854 S * 4/1959 Cramer D6/379
D335,970 S * 6/1993 Doughty D6/375
D575,541 S * 8/2008 Hayes D6/374
D690,952 S * 10/2013 Becker D6/374
D713,163 S * 9/2014 Pedersen D6/370
D732,302 S * 6/2015 Lange D6/379
D745,288 S * 12/2015 Perse D6/370
D759,398 S * 6/2016 Lade D6/379

* cited by examiner

Primary Examiner — Ricky Pham

(57) **CLAIM**

The ornamental design for a chair, as shown.

DESCRIPTION

FIG. 1 is a perspective ¾ lower front view of my new chair
FIG. 2 is a perspective ¾ back view of my chair
FIG. 3 is a perspective ¾ upper front view of my chair
FIG. 4 is a right-side view of my chair
FIG. 5 is a front view of my chair
FIG. 6 is a rear view of my chair
FIG. 7 is a top view of my chair; and,
FIG. 8 is a bottom view of my chair.

1 Claim, 4 Drawing Sheets

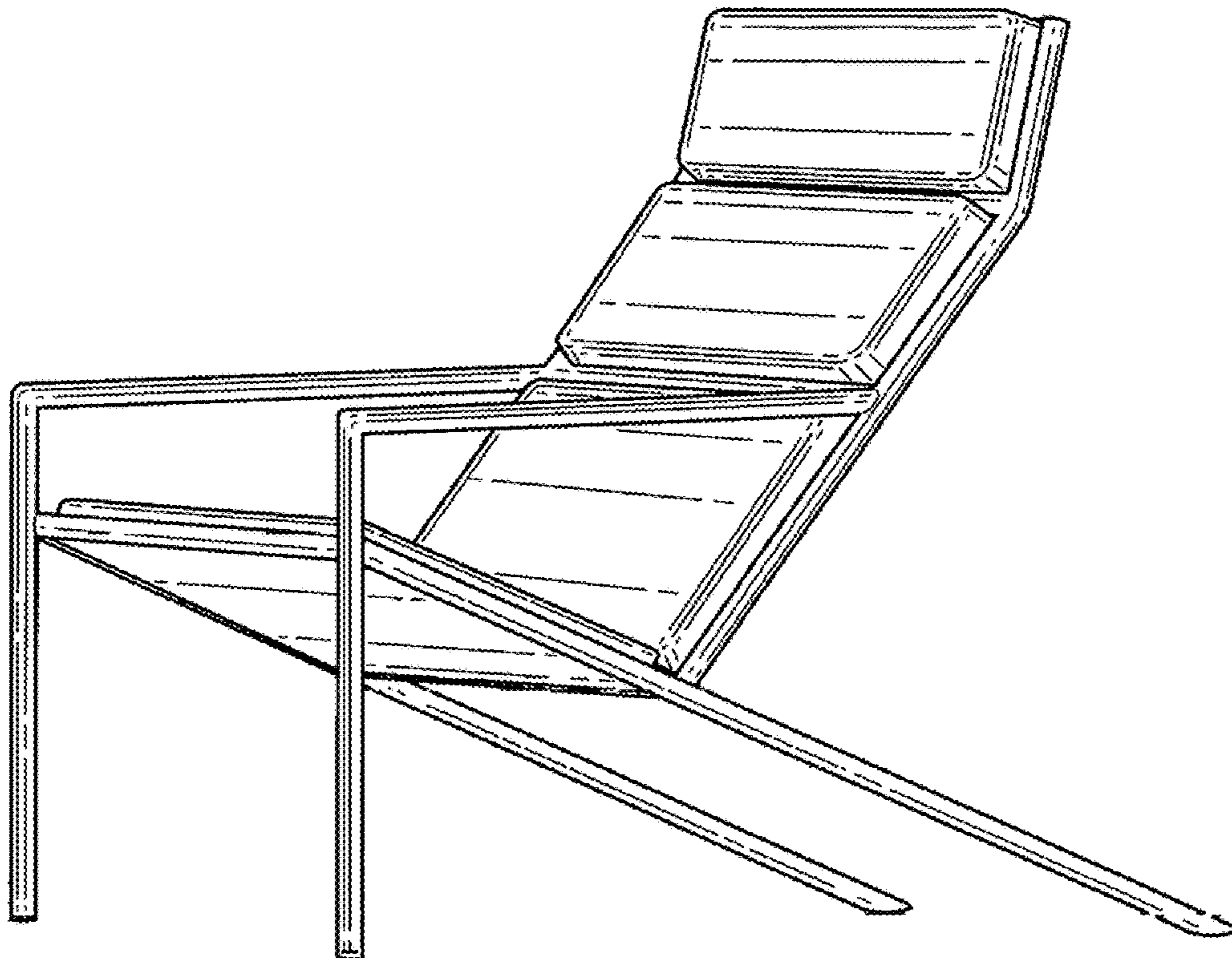


FIG. 1

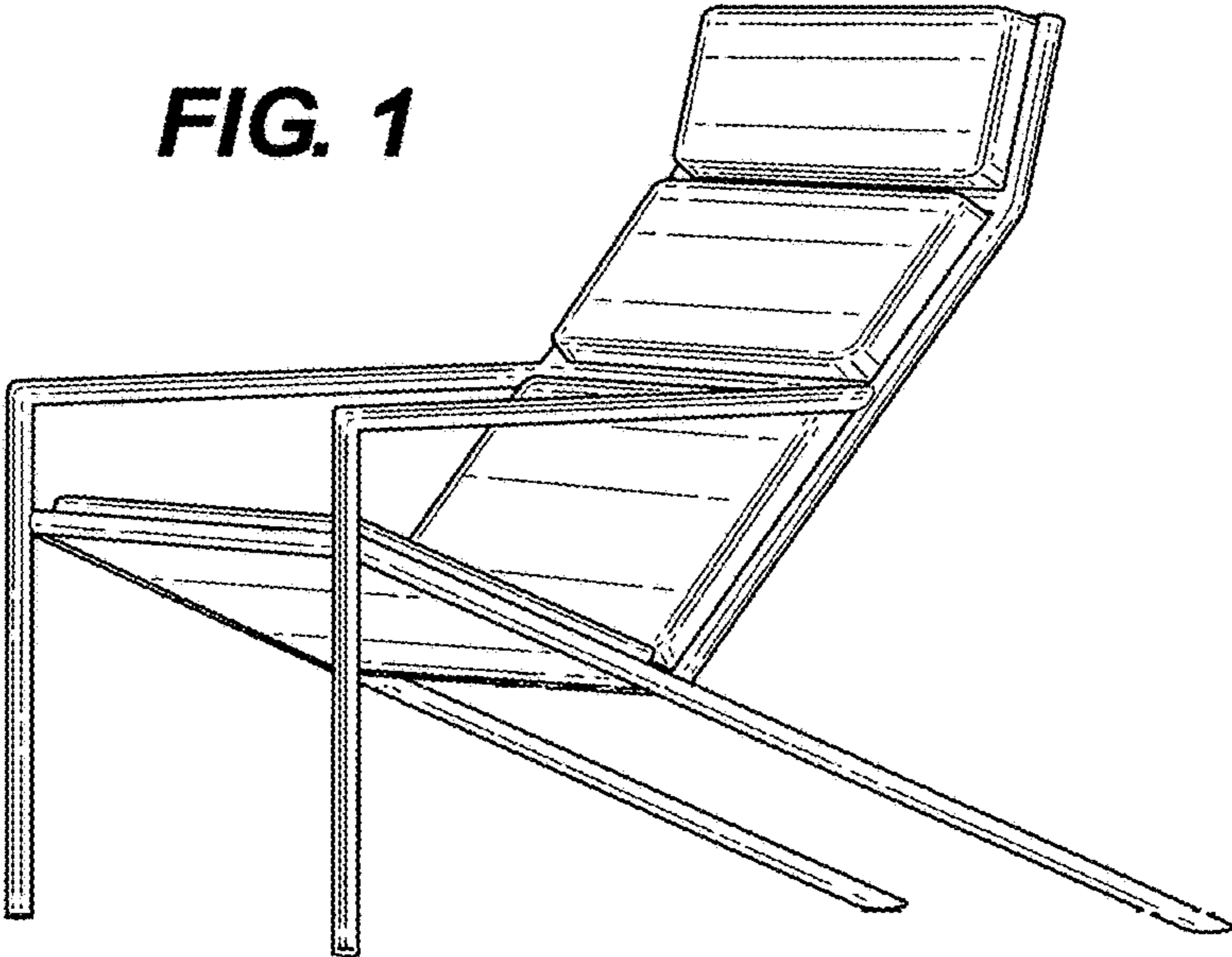


FIG. 2

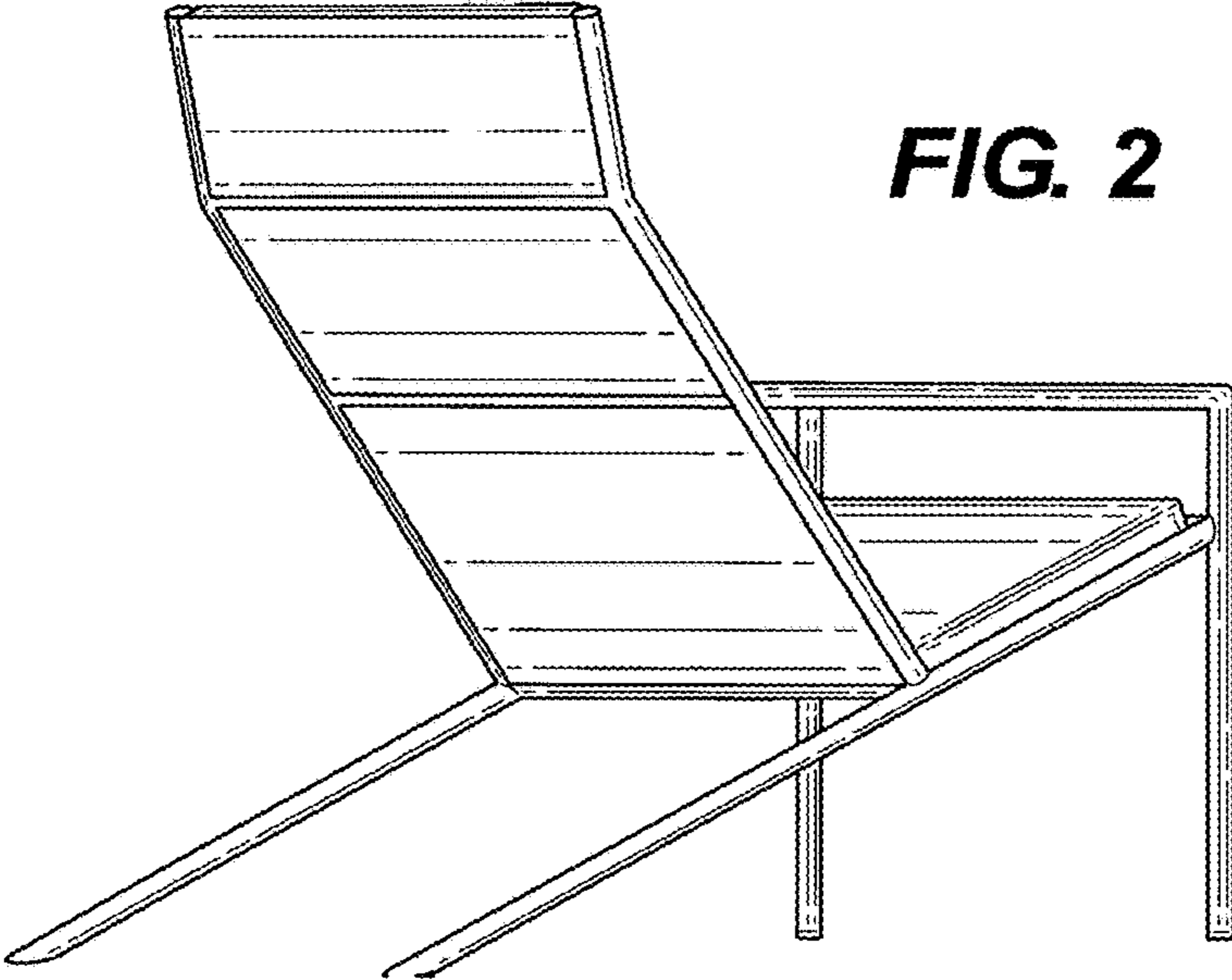


FIG. 3

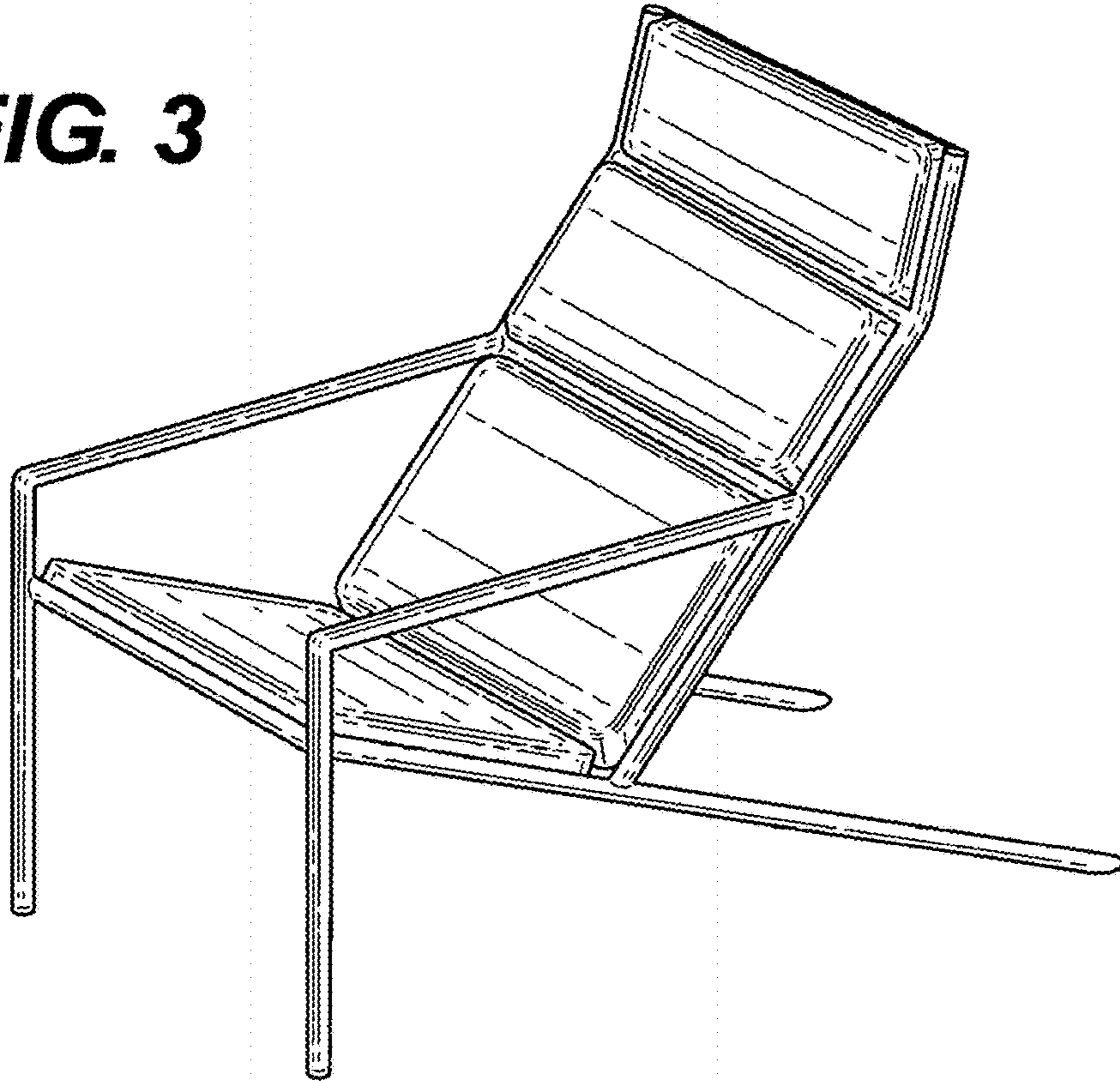


FIG. 4

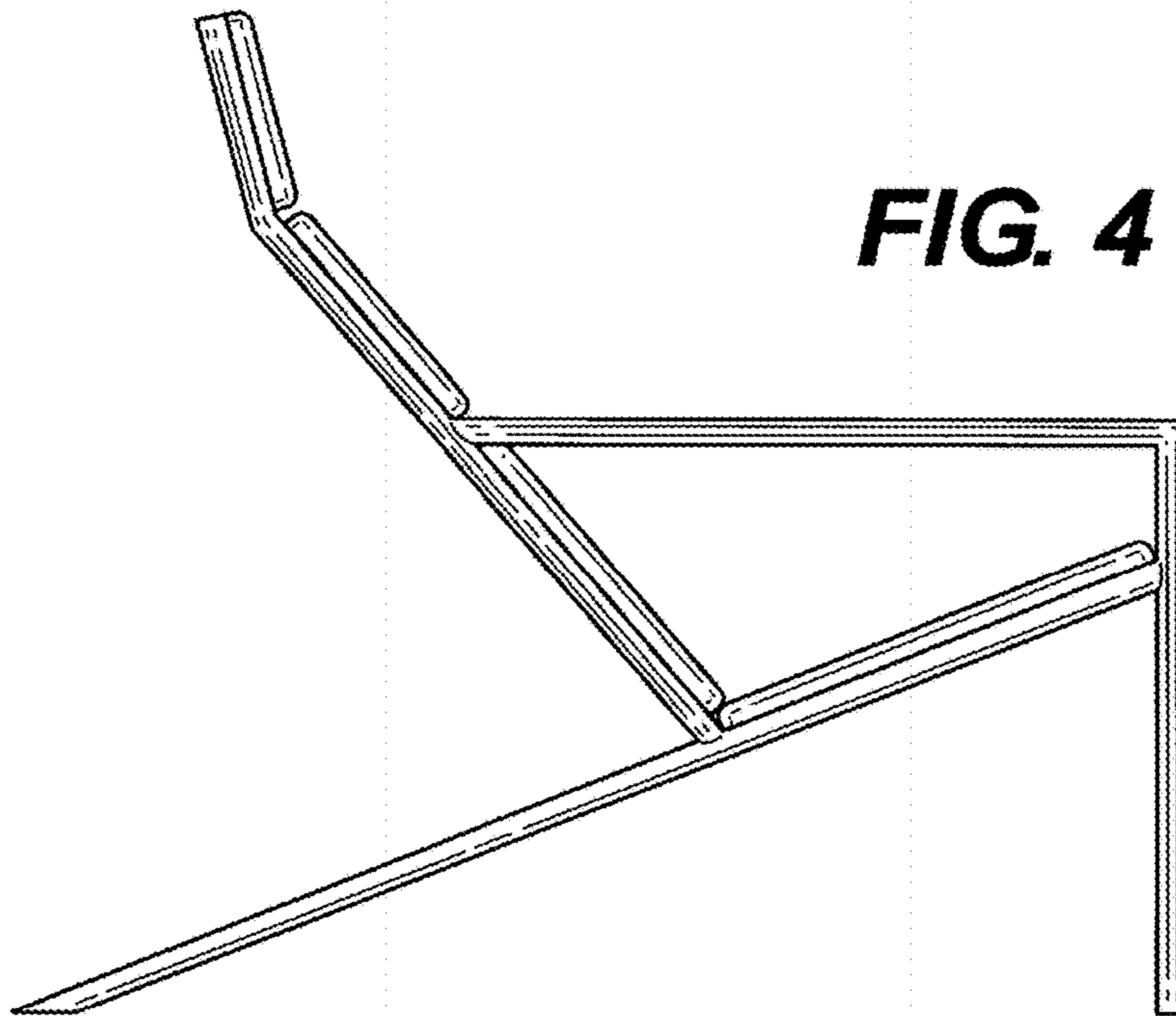


FIG. 5

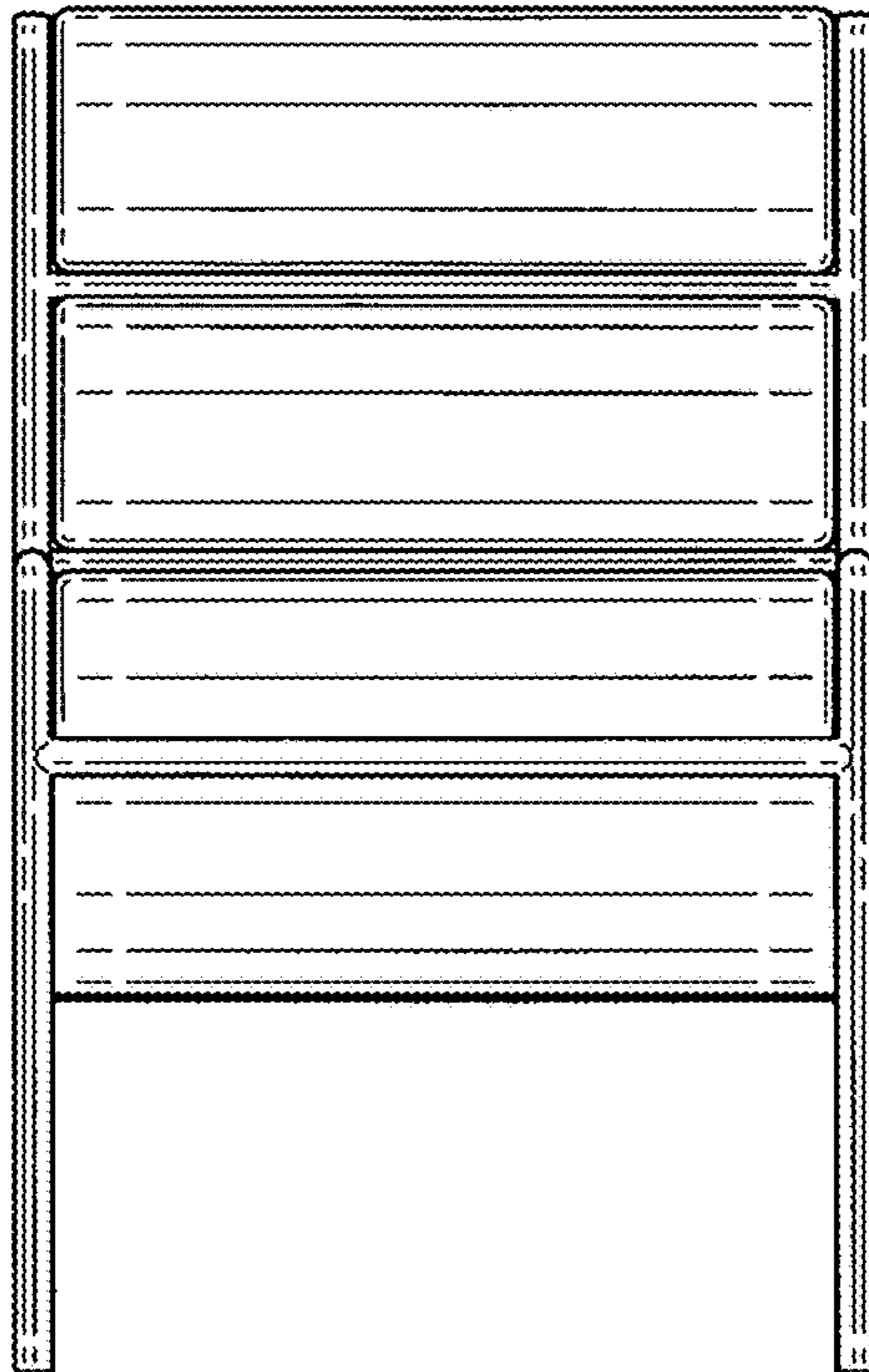


FIG. 6

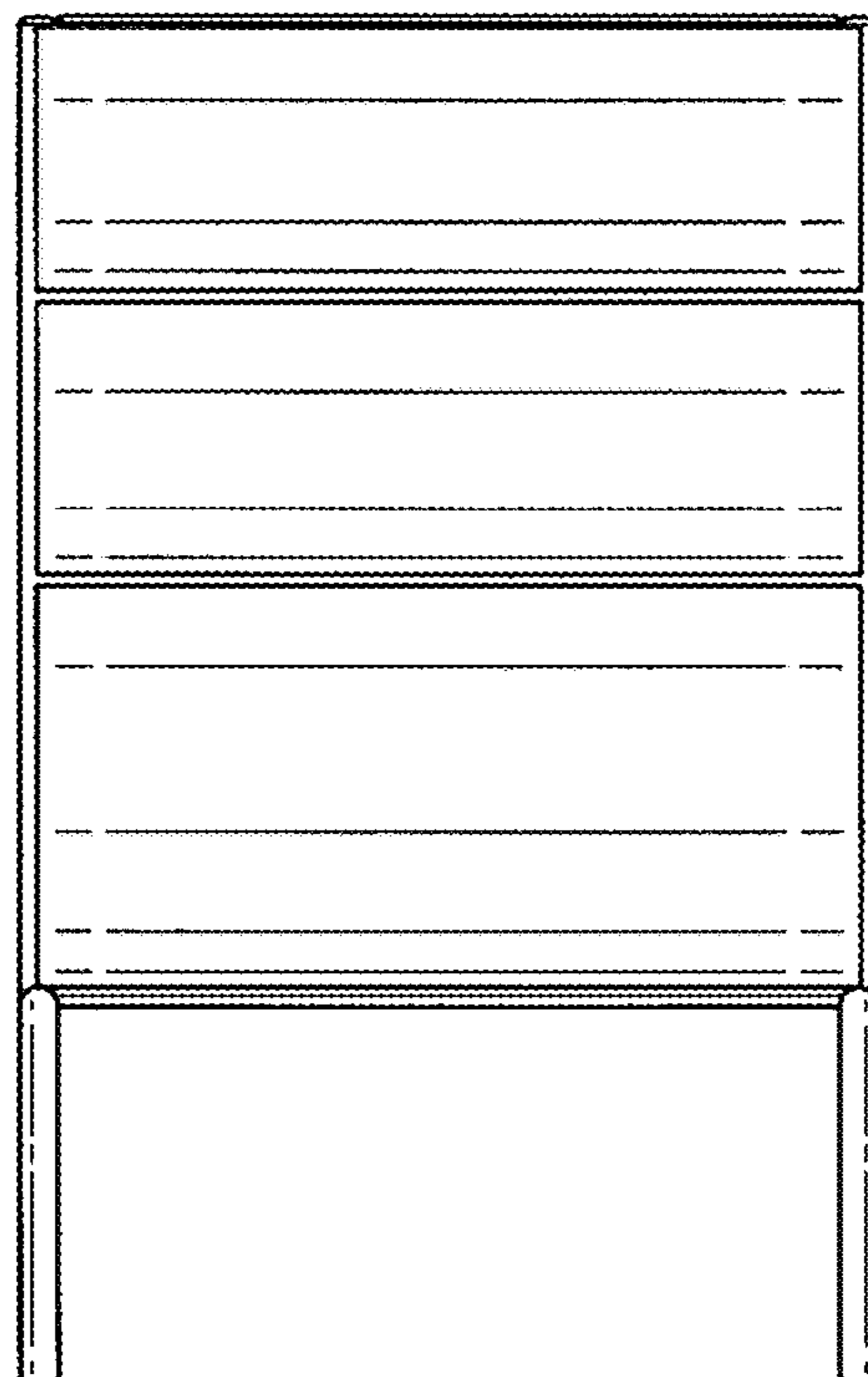


FIG. 7

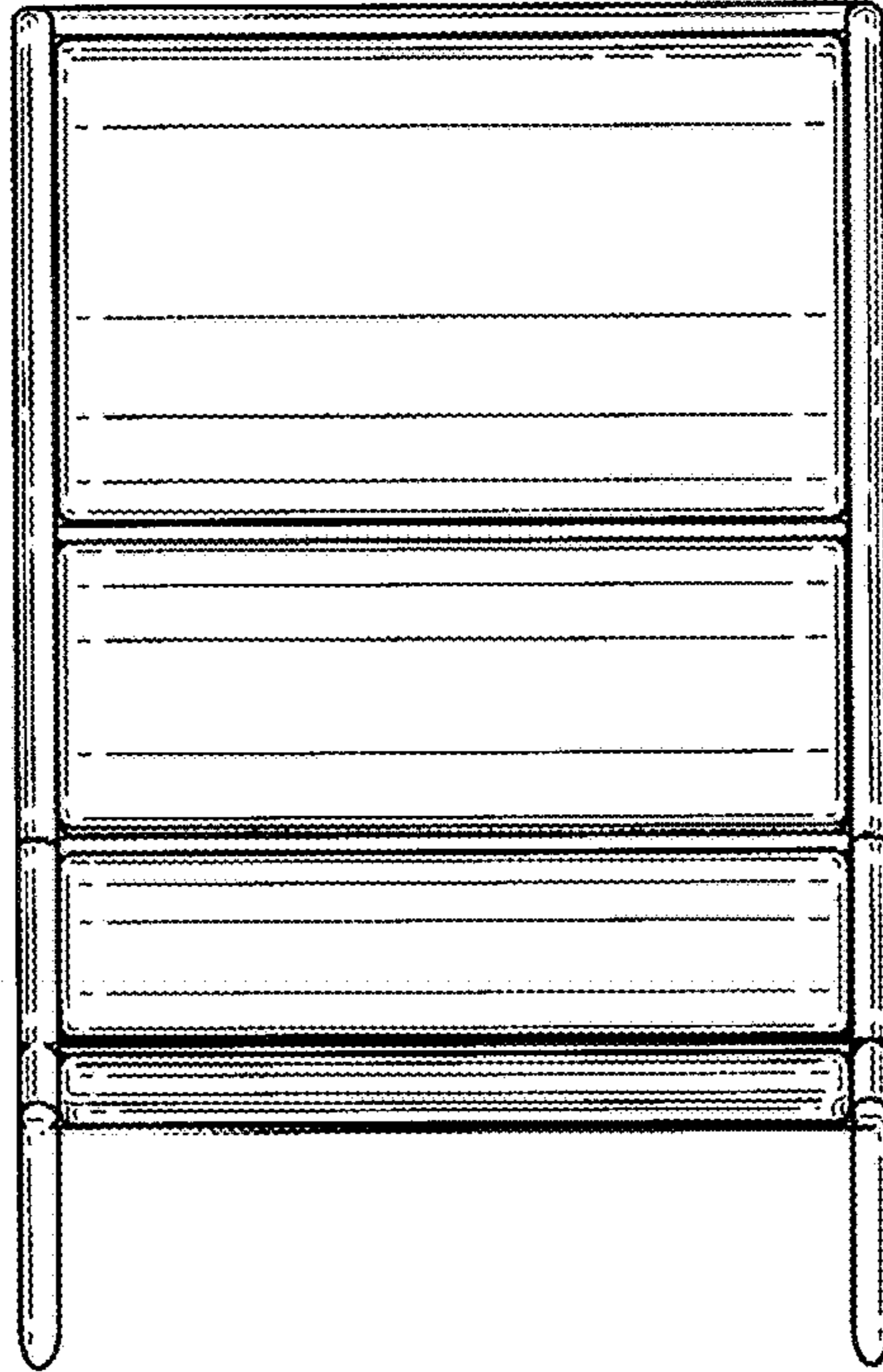


FIG. 8

