



US00D781609S

(12) **United States Design Patent**
King et al.

(10) **Patent No.:** **US D781,609 S**
(45) **Date of Patent:** **** Mar. 21, 2017**

(54) **SEATING FURNITURE**

(71) Applicant: **King Furniture Australia Pty Ltd.,**
Turrella (AU)

(72) Inventors: **David King,** Turrella (AU); **Ryan**
Lawson, Turrella (AU); **John Levey,**
Turrella (AU); **Tanya Rechberger,**
Turrella (AU); **Anastasia**
Panagopoulos, Turrella (AU)

(73) Assignee: **King Furniture Australia Pty Ltd.,**
Turrella (AU)

(**) Term: **15 Years**

(21) Appl. No.: **29/571,966**

(22) Filed: **Jul. 22, 2016**

(30) **Foreign Application Priority Data**

Aug. 8, 2014	(AU)	201413903
Aug. 8, 2014	(AU)	201413905
Aug. 8, 2014	(AU)	201413906
Aug. 8, 2014	(AU)	201413907
Aug. 8, 2014	(AU)	201413908
Aug. 8, 2014	(AU)	201413909
Aug. 8, 2014	(AU)	201413910
Aug. 8, 2014	(AU)	201413911
Aug. 8, 2014	(AU)	201413912
Aug. 8, 2014	(AU)	201413913
Aug. 8, 2014	(AU)	201413914
Aug. 8, 2014	(AU)	201413915
Aug. 8, 2014	(AU)	201413916
Jan. 20, 2015	(AU)	201510311
Jan. 20, 2015	(AU)	201510312

(Continued)

(51) **LOC (10) Cl.** **06-01**

(52) **U.S. Cl.**
USPC **D6/371**

(58) **Field of Classification Search**

USPC D6/334-336, 361, 364, 371, 379, 381,
D6/716, 716.1, 716.3, 716.4
CPC A47C 15/002; A47C 17/00; A47C 17/02;
A47C 17/04; A47C 7/18; A47C 7/24;
A47C 5/125; A47C 3/16; A47C 17/37
See application file for complete search history.

(56) **References Cited**

U.S. PATENT DOCUMENTS

D221,219 S * 7/1971 Winrow D6/379
D234,731 S 4/1975 MdDonald
(Continued)

Primary Examiner — Mimoso De

(74) *Attorney, Agent, or Firm* — Banner & Witcoff, Ltd.

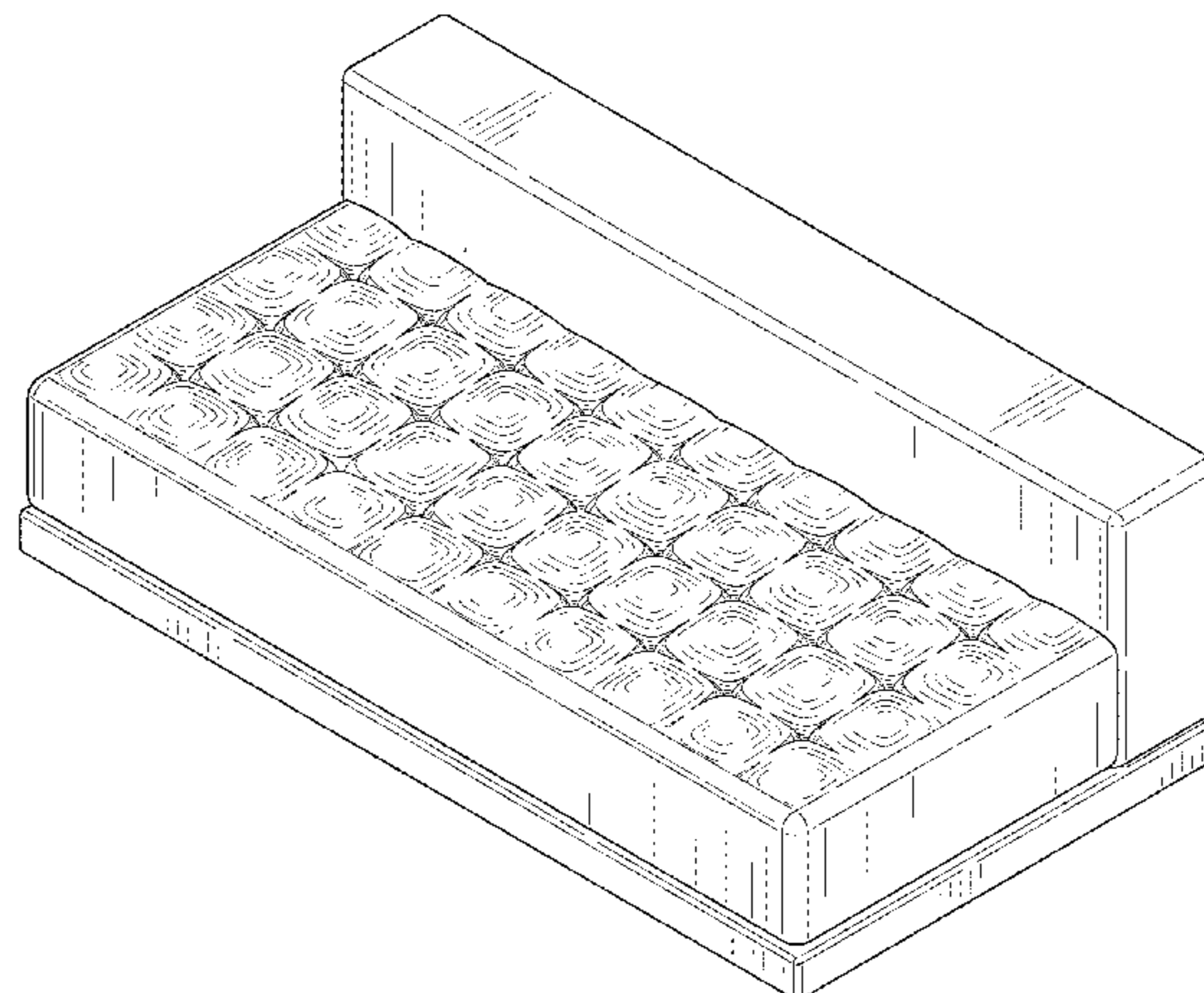
(57) **CLAIM**

The ornamental design for a seating furniture, as shown and described.

DESCRIPTION

FIG. 1 is a top plan view for a seating furniture showing our new design;
FIG. 2 is a perspective view thereof;
FIG. 3 is a left side view thereof;
FIG. 4 is a front view thereof;
FIG. 5 is a right side view thereof;
FIG. 6 is a rear view thereof;
FIG. 7 is a top plan view of the seating furniture of FIGS. 1-6 with the seat cushion shown in an extended position;
FIG. 8 is a perspective view thereof;
FIG. 9 is a left side view thereof;
FIG. 10 is a front view thereof;
FIG. 11 is a right side view thereof; and,
FIG. 12 is a rear view thereof.
The broken line regions in FIGS. 6 and 12 represent disclaimed subject matter and form no part of the claimed design.

1 Claim, 8 Drawing Sheets



(30) **Foreign Application Priority Data**

Jan. 20, 2015 (AU) 201510313
Jan. 20, 2015 (AU) 201510314

(56) **References Cited**

U.S. PATENT DOCUMENTS

D264,026 S * 4/1982 Mascheroni D6/381
D268,797 S * 5/1983 Mascheroni D6/371
D273,254 S * 4/1984 Fairaizen D6/335
D281,839 S * 12/1985 Hopfer D6/371
D498,075 S * 11/2004 Mourgue D6/335
D566,980 S * 4/2008 Mourgue D6/381
D575,963 S * 9/2008 Gomez D6/381
D617,112 S 6/2010 Tsai
D639,083 S * 6/2011 Martin D6/381
D641,565 S * 7/2011 Urquiola D6/381
D655,100 S 3/2012 Yeung Ka Fei
D685,200 S * 7/2013 Sage D6/371
D687,235 S 8/2013 Sage et al.
D718,950 S * 12/2014 Maier D6/371
D732,867 S 6/2015 Garcia

* cited by examiner

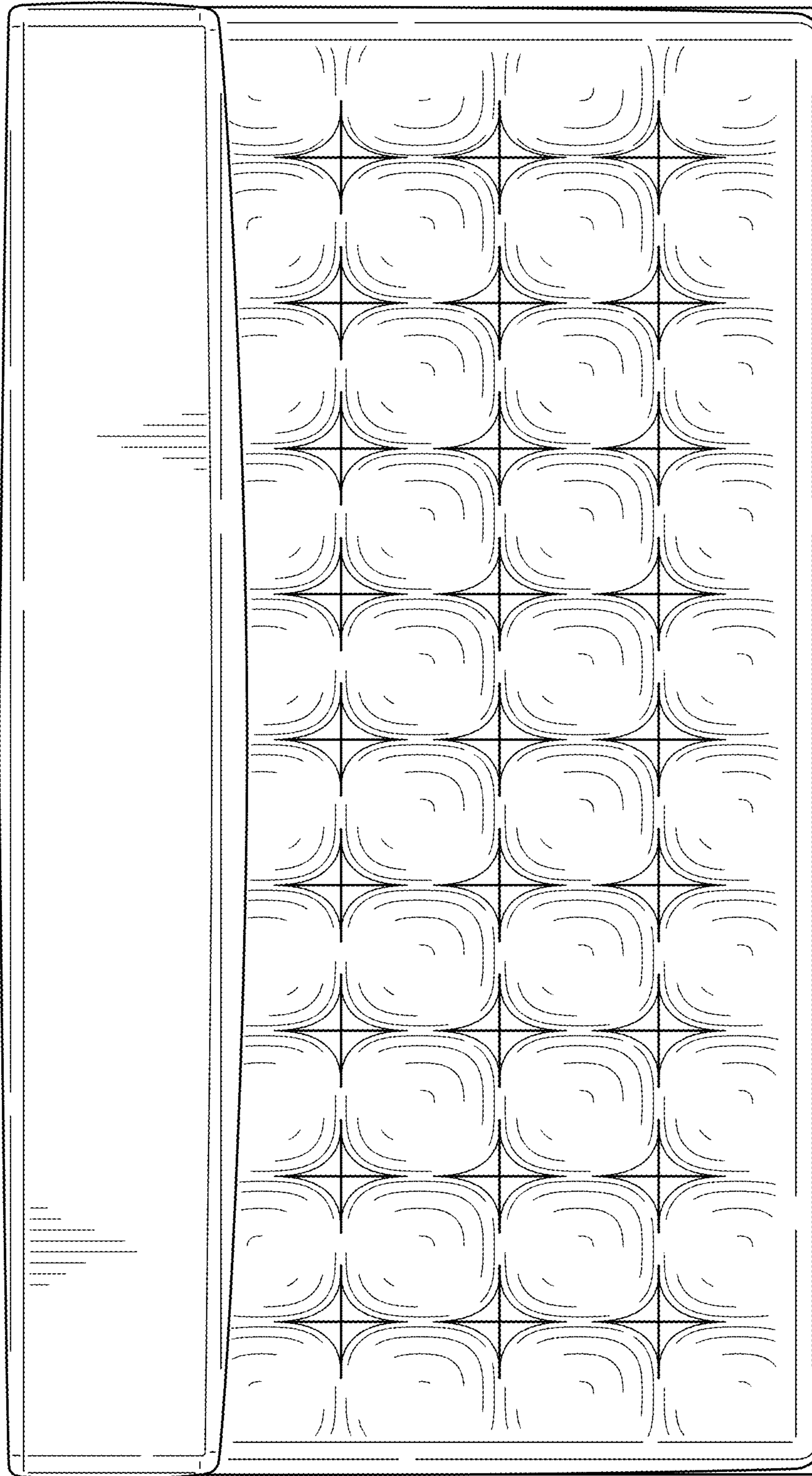


FIG. 1

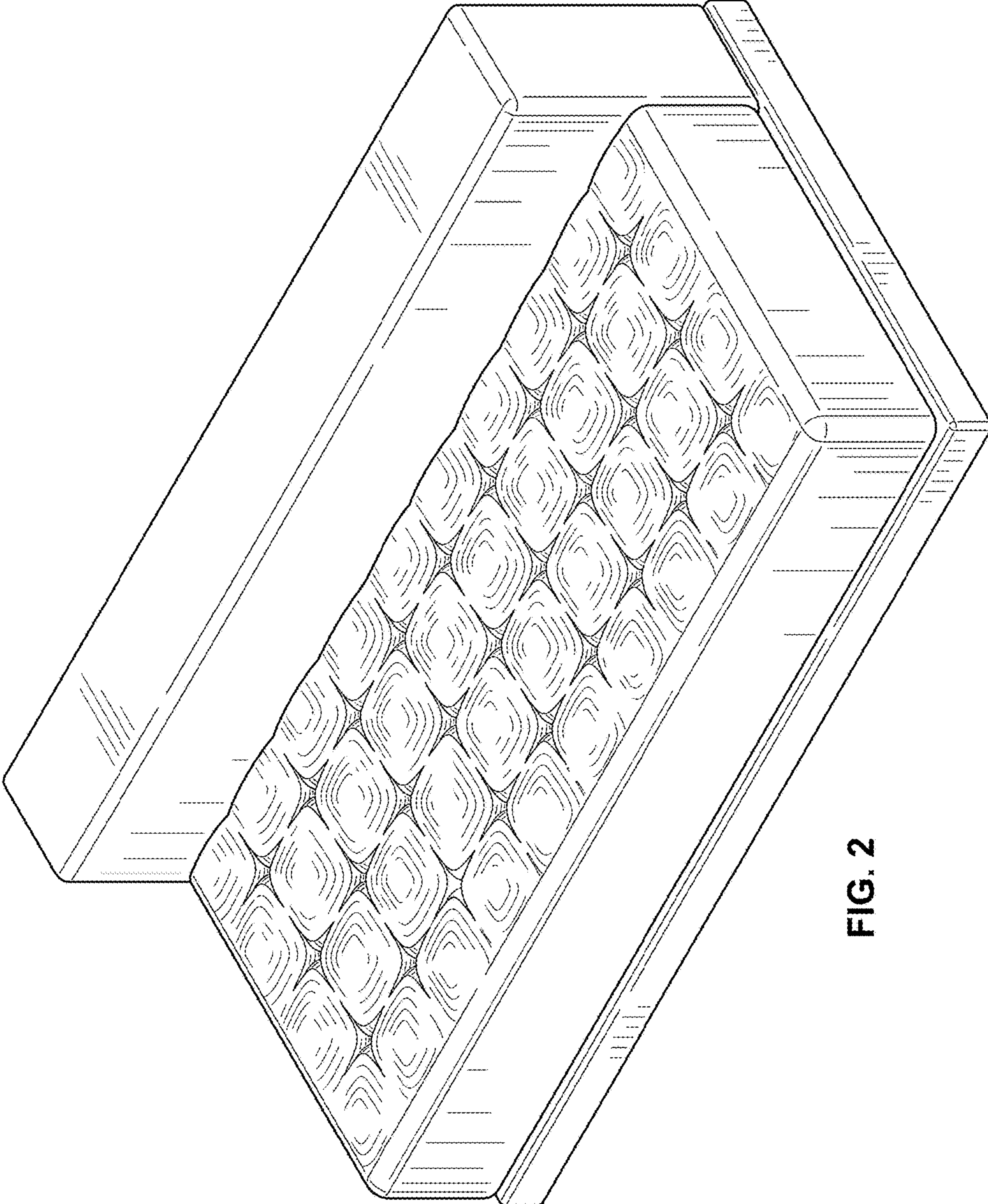


FIG. 2

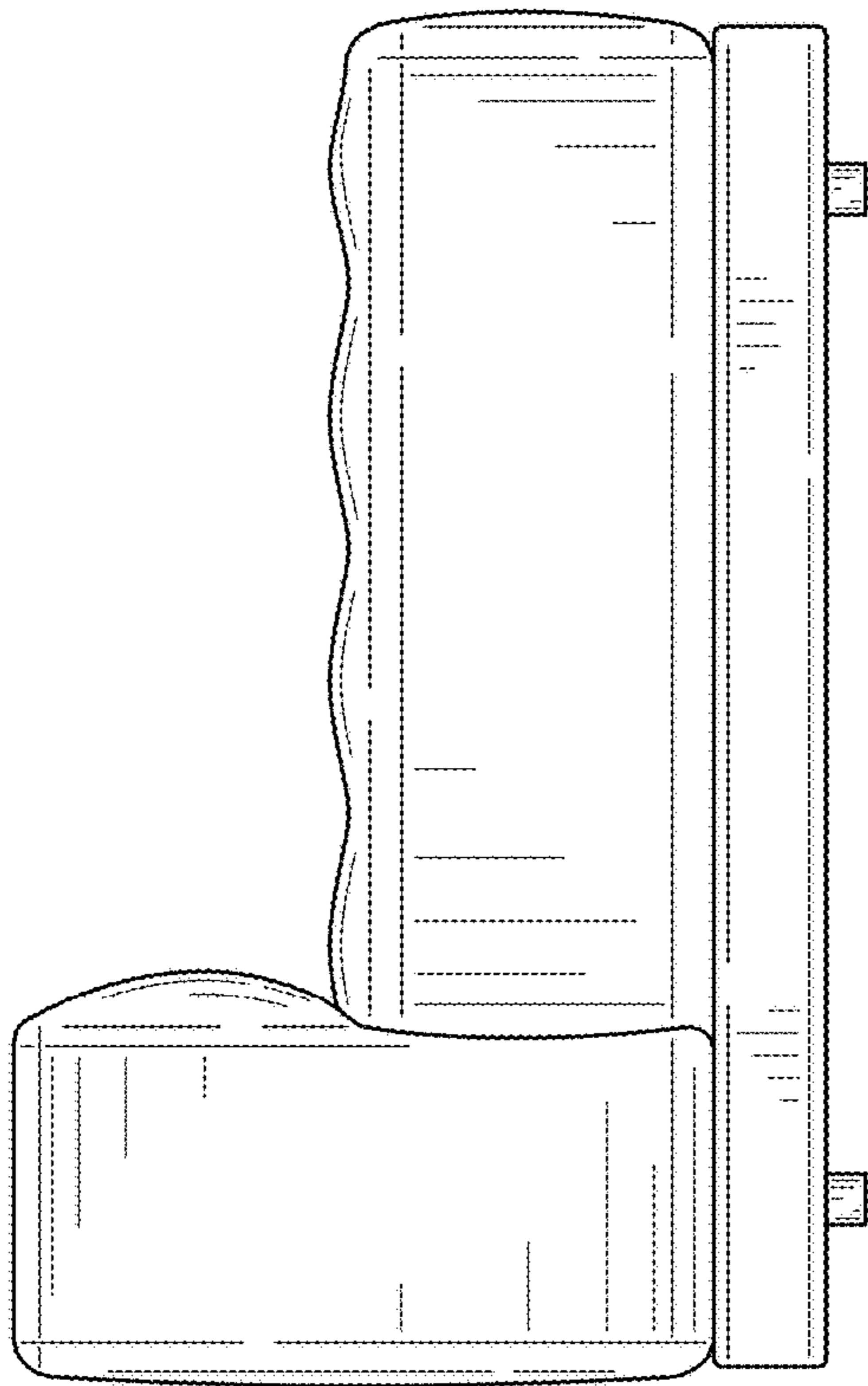


FIG. 3

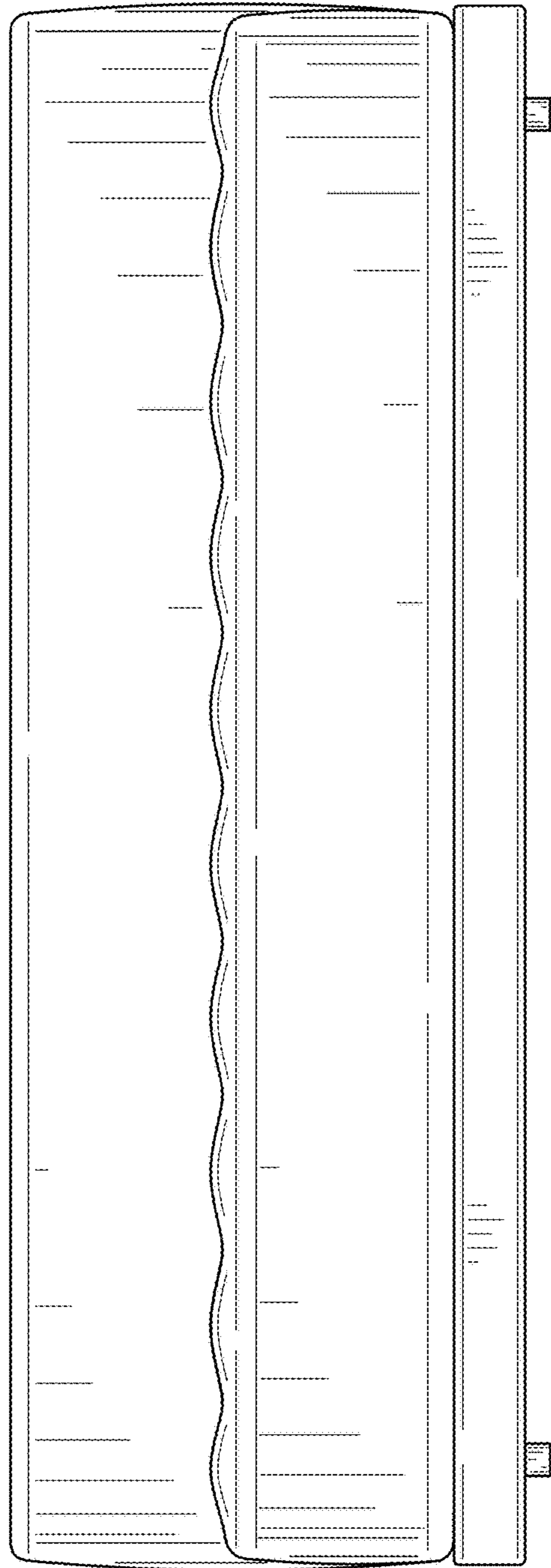


FIG. 4

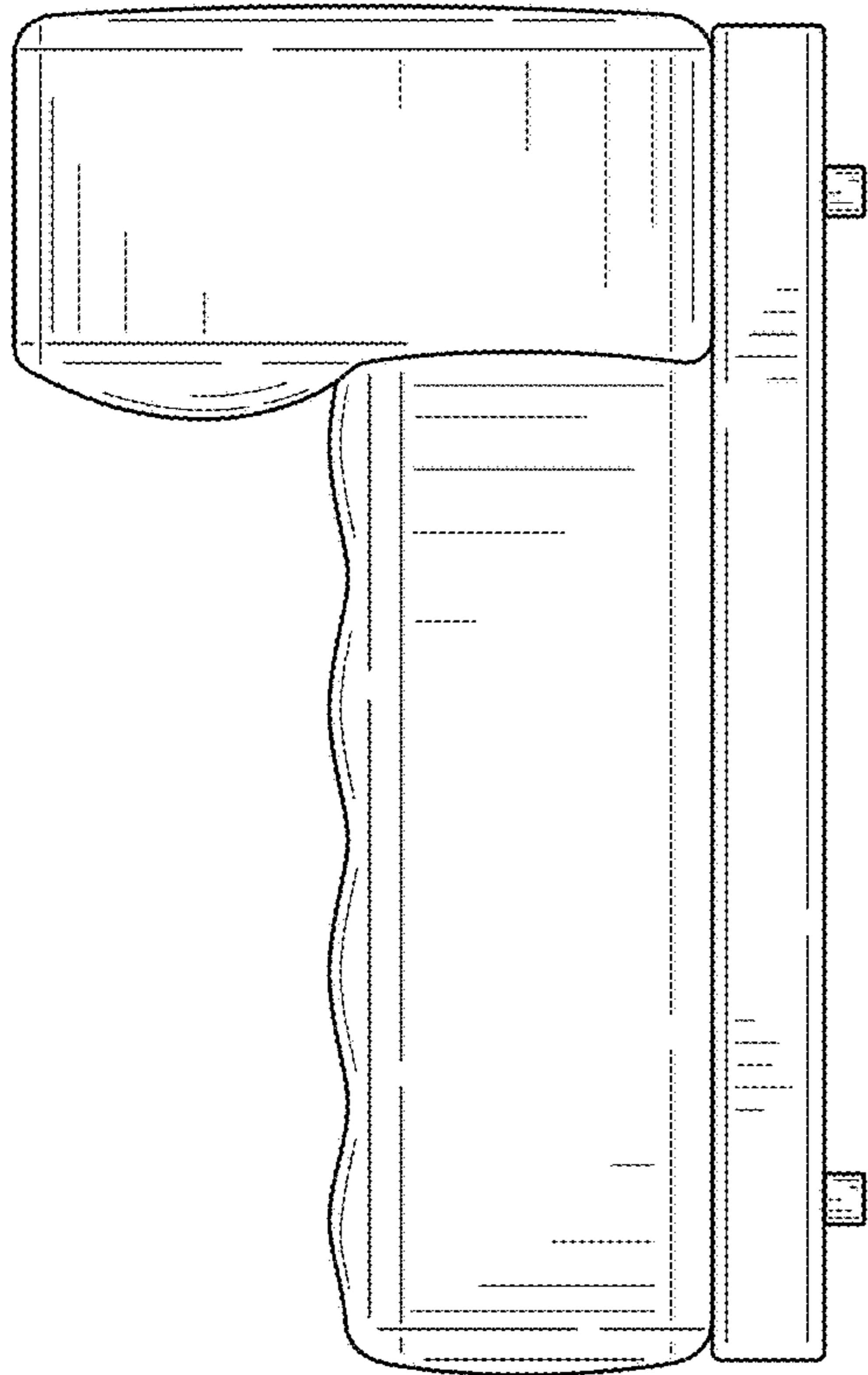


FIG. 5

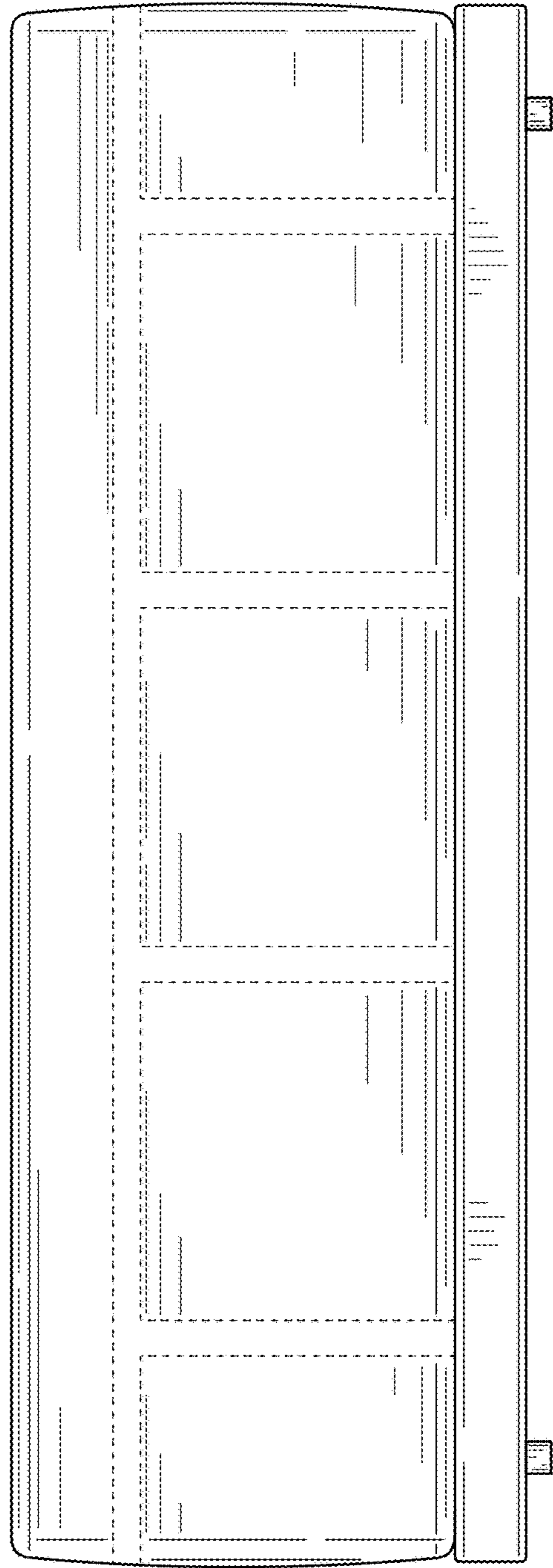


FIG. 6

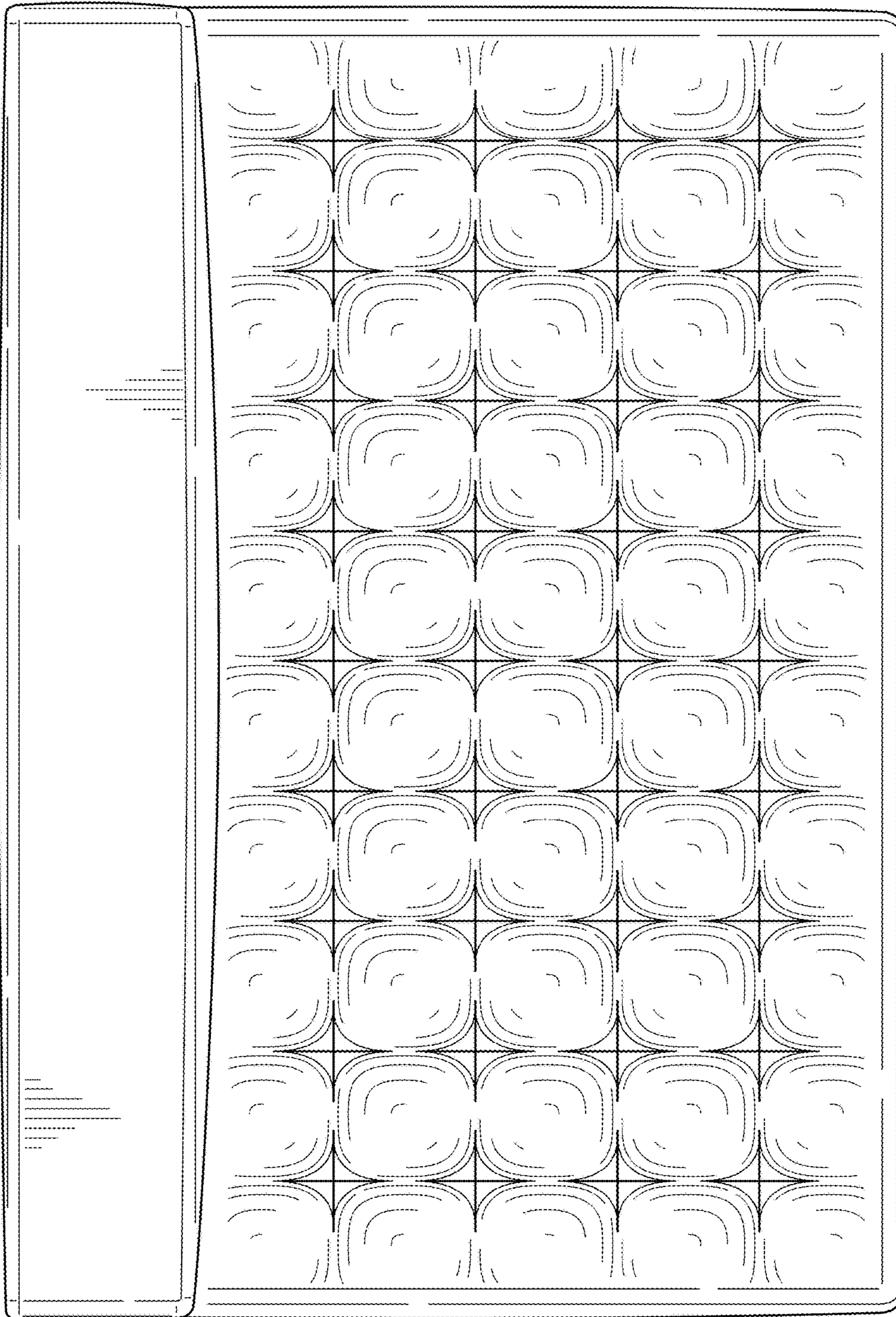


FIG. 7

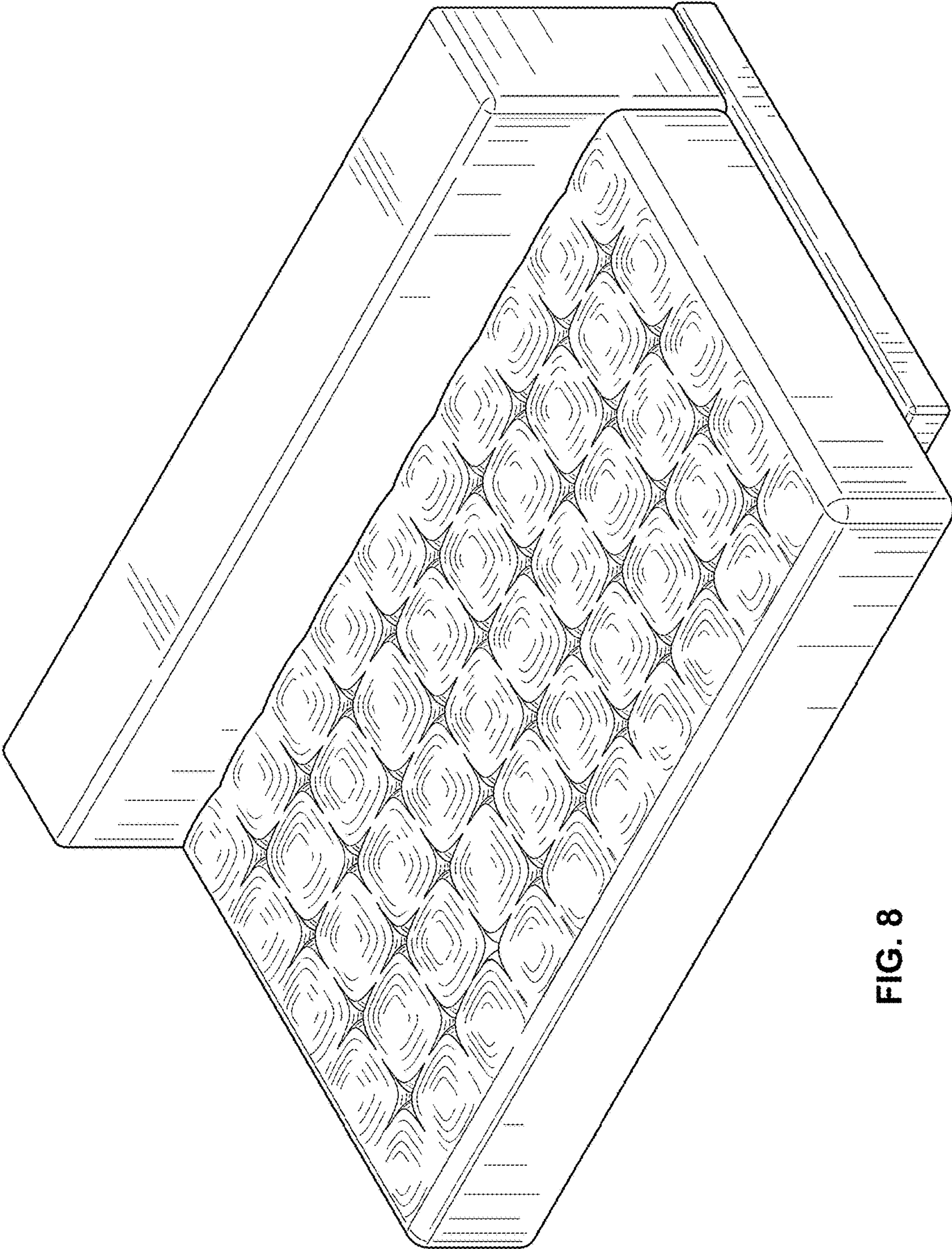


FIG. 8

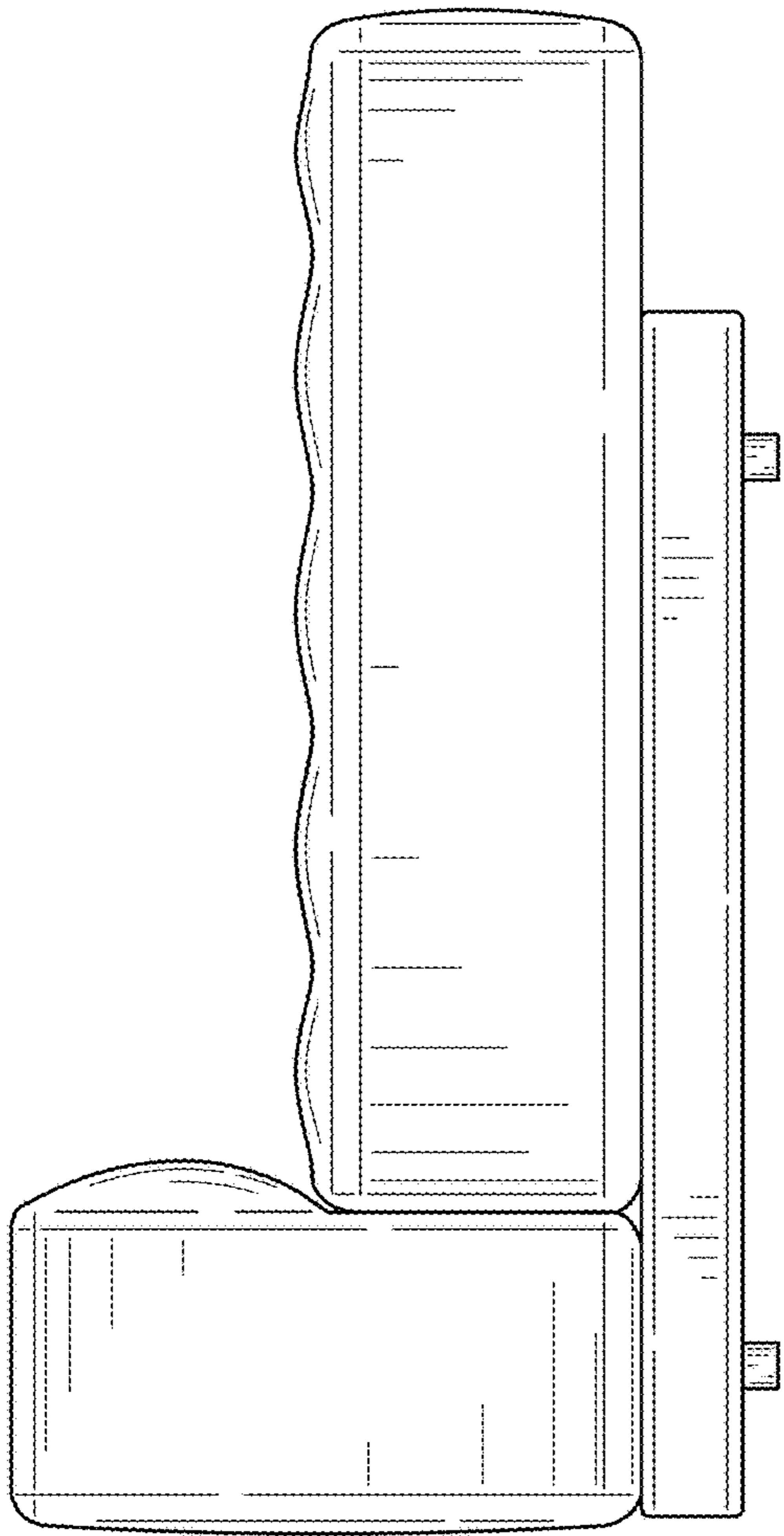


FIG. 9

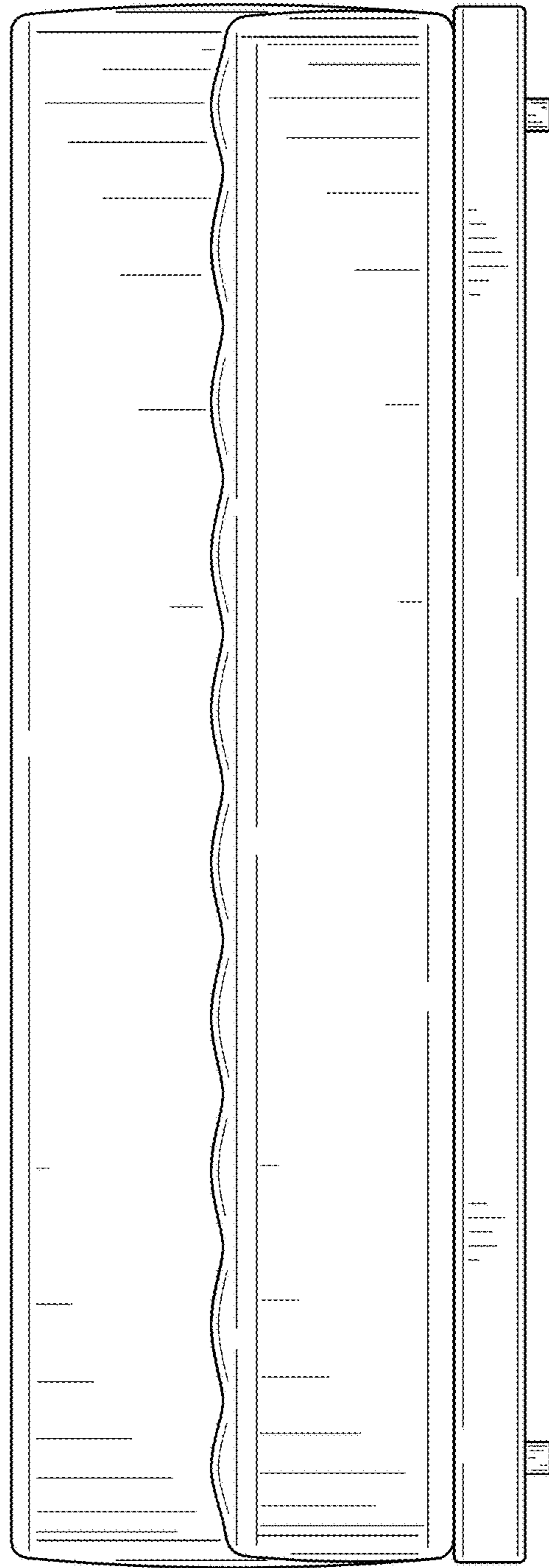


FIG. 10

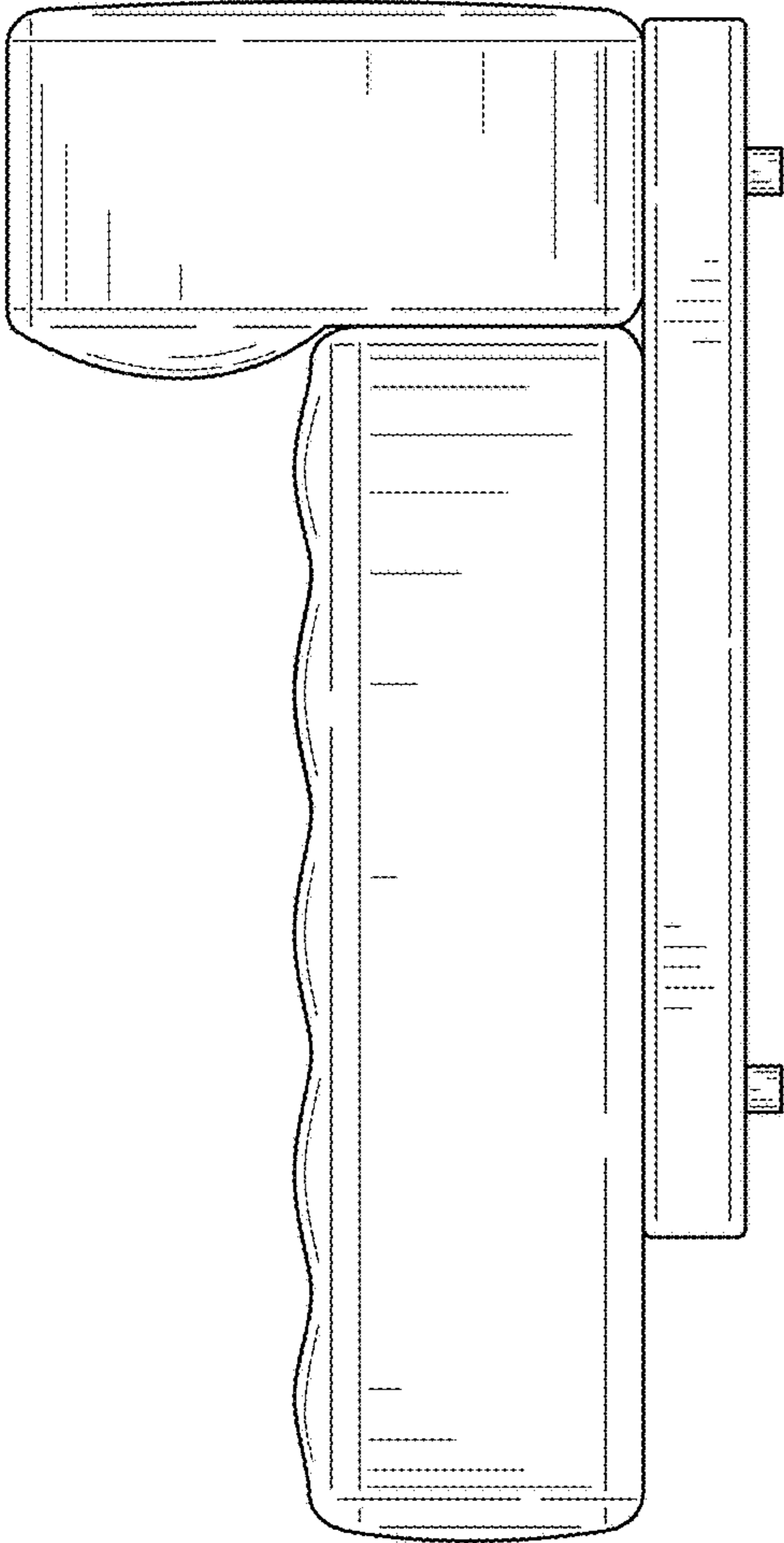


FIG. 11

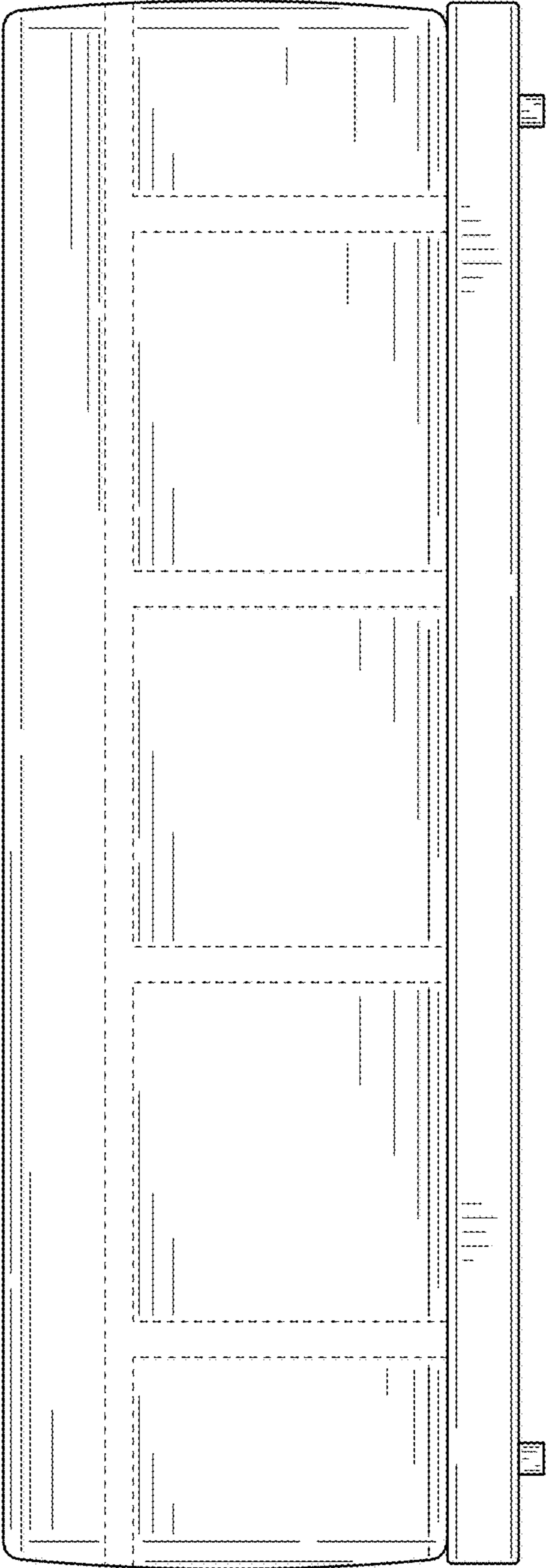


FIG. 12