



US00D781608S

(12) **United States Design Patent**
King et al.

(10) **Patent No.:** **US D781,608 S**
(45) **Date of Patent:** **** Mar. 21, 2017**

(54) **SEATING FURNITURE**

(71) Applicant: **King Furniture Australia Pty Ltd.**,
Turrella (AU)

(72) Inventors: **David King**, Turrella (AU); **Ryan Lawson**, Turrella (AU); **John Levey**, Turrella (AU); **Tanya Rechberger**, Turrella (AU); **Anastasi Panagopoulos**, Turrella (AU)

(73) Assignee: **King Furniture Australia Pty Ltd.**,
Turrella (AU)

(**) Term: **15 Years**

(21) Appl. No.: **29/571,964**

(22) Filed: **Jul. 22, 2016**

Related U.S. Application Data

(62) Division of application No. 29/517,040, filed on Feb. 9, 2015, now Pat. No. Des. 762,997.

(30) **Foreign Application Priority Data**

Aug. 8, 2014	(AU)	201413903
Aug. 8, 2014	(AU)	201413905
Aug. 8, 2014	(AU)	201413906
Aug. 8, 2014	(AU)	201413907
Aug. 8, 2014	(AU)	201413908
Aug. 8, 2014	(AU)	201413909
Aug. 8, 2014	(AU)	201413910
Aug. 8, 2014	(AU)	201413911
Aug. 8, 2014	(AU)	201413912

(Continued)

(51) **LOC (10) Cl.** **06-01**

(52) **U.S. Cl.**
USPC **D6/371**

(58) **Field of Classification Search**

USPC D6/334-336, 361, 364, 377, 381, 716,
D6/716.1, 716.3, 716.4

(Continued)

(56) **References Cited**

U.S. PATENT DOCUMENTS

3,747,134 A * 7/1973 Montague A47C 17/00
5/12.1

D234,731 S 4/1975 McDonald

(Continued)

Primary Examiner — Mimoso De

(74) *Attorney, Agent, or Firm* — Banner & Witcoff, Ltd.

(57) **CLAIM**

The ornamental design for a seating furniture, as shown and described.

DESCRIPTION

FIG. 1 is a top plan view of a first embodiment for a seating furniture showing our new design;

FIG. 2 is a perspective view thereof;

FIG. 3 is a left side view thereof;

FIG. 4 is a front view thereof;

FIG. 5 is a right side view thereof;

FIG. 6 is a rear view thereof;

FIG. 7 is a top plan view of a second embodiment of the seating furniture of FIGS. 1-6 with the seat cushion shown in an extended position;

FIG. 8 is a perspective view thereof;

FIG. 9 is a left side view thereof;

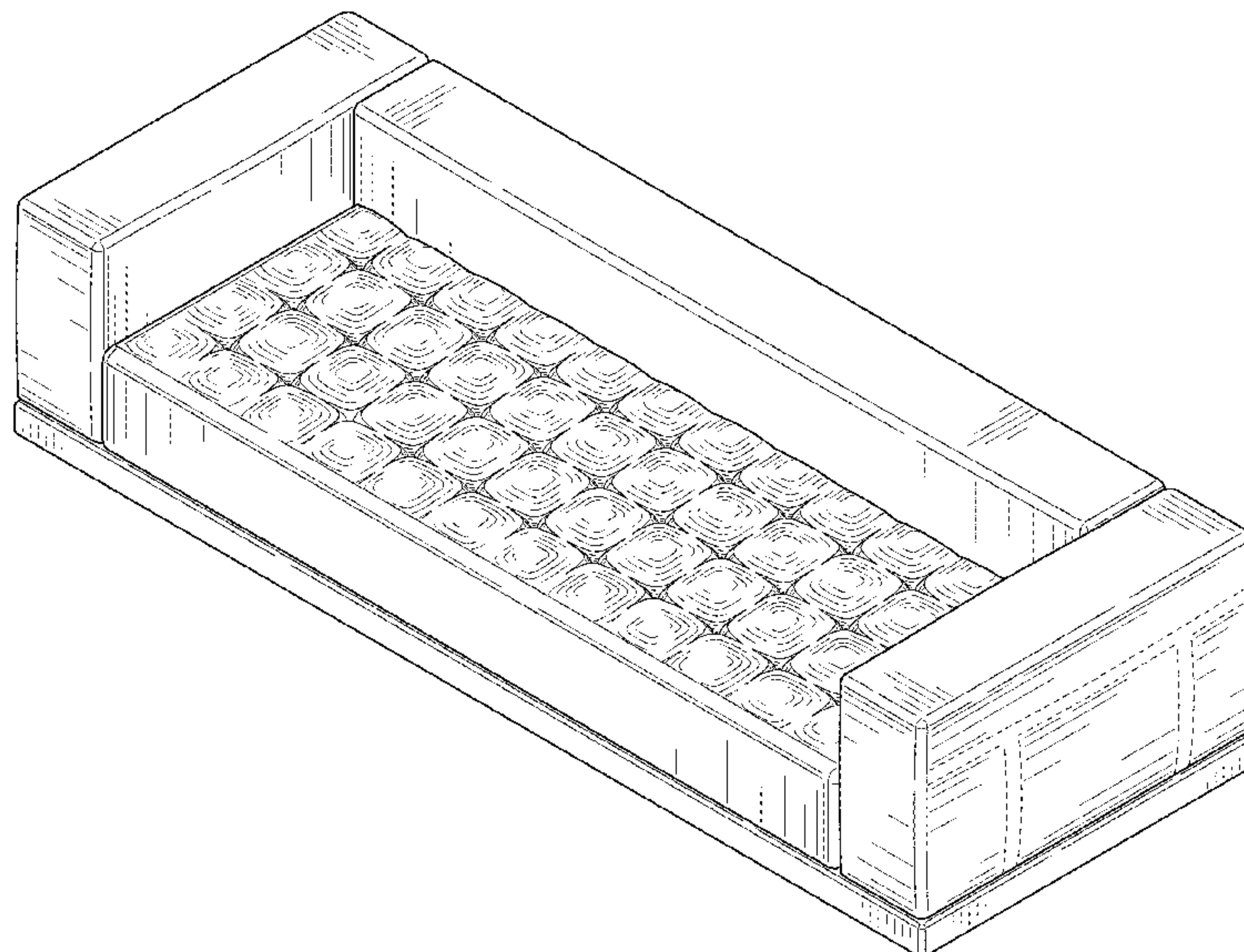
FIG. 10 is a front view thereof;

FIG. 11 is a right side view thereof; and,

FIG. 12 is a rear view thereof.

The broken line region shown in FIGS. 3, 5, 6, 9, 11 and 12 represent disclaimed subject matter and form no part of the claimed design.

1 Claim, 8 Drawing Sheets



(30) **Foreign Application Priority Data**

Aug. 8, 2014 (AU) 201413913
Aug. 8, 2014 (AU) 201413914
Aug. 8, 2014 (AU) 201413915
Aug. 8, 2014 (AU) 201413916
Jan. 20, 2015 (AU) 201510311
Jan. 20, 2015 (AU) 201510312
Jan. 20, 2015 (AU) 201510313
Jan. 20, 2015 (AU) 201510314

(58) **Field of Classification Search**

CPC A47C 15/002; A47C 17/00; A47C 17/02;
A47C 7/18; A47C 7/24; A47C 5/125;
A47C 3/14; A47C 3/16; A47C 17/36

See application file for complete search history.

(56) **References Cited**

U.S. PATENT DOCUMENTS

D239,424 S * 4/1976 Offradi D6/381
D373,256 S * 9/1996 Lewis D6/334
D617,112 S 6/2010 Tsai
D655,100 S 3/2012 Yeung Ka Fei
D680,768 S * 4/2013 Versace D6/371
D687,235 S 8/2013 Sage et al.
D732,867 S 6/2015 Garcia
D758,752 S * 6/2016 Garcia D6/371
D762,997 S * 8/2016 King D6/371

* cited by examiner

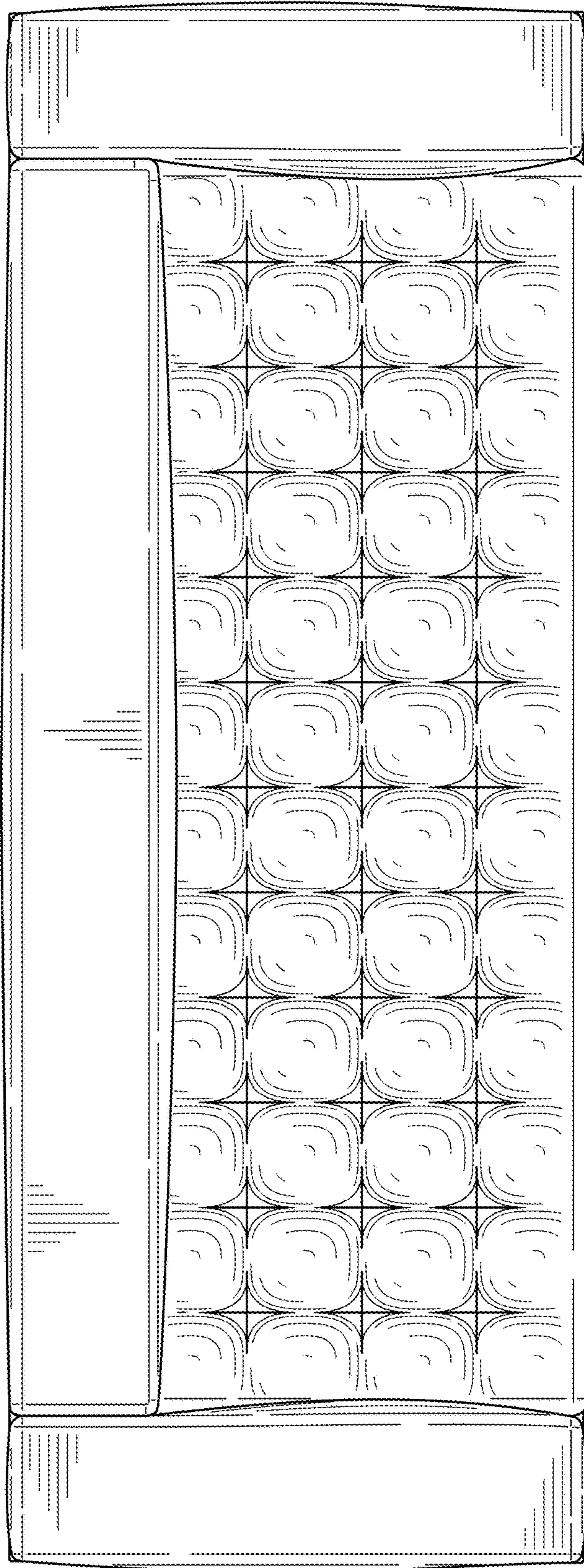


FIG. 1

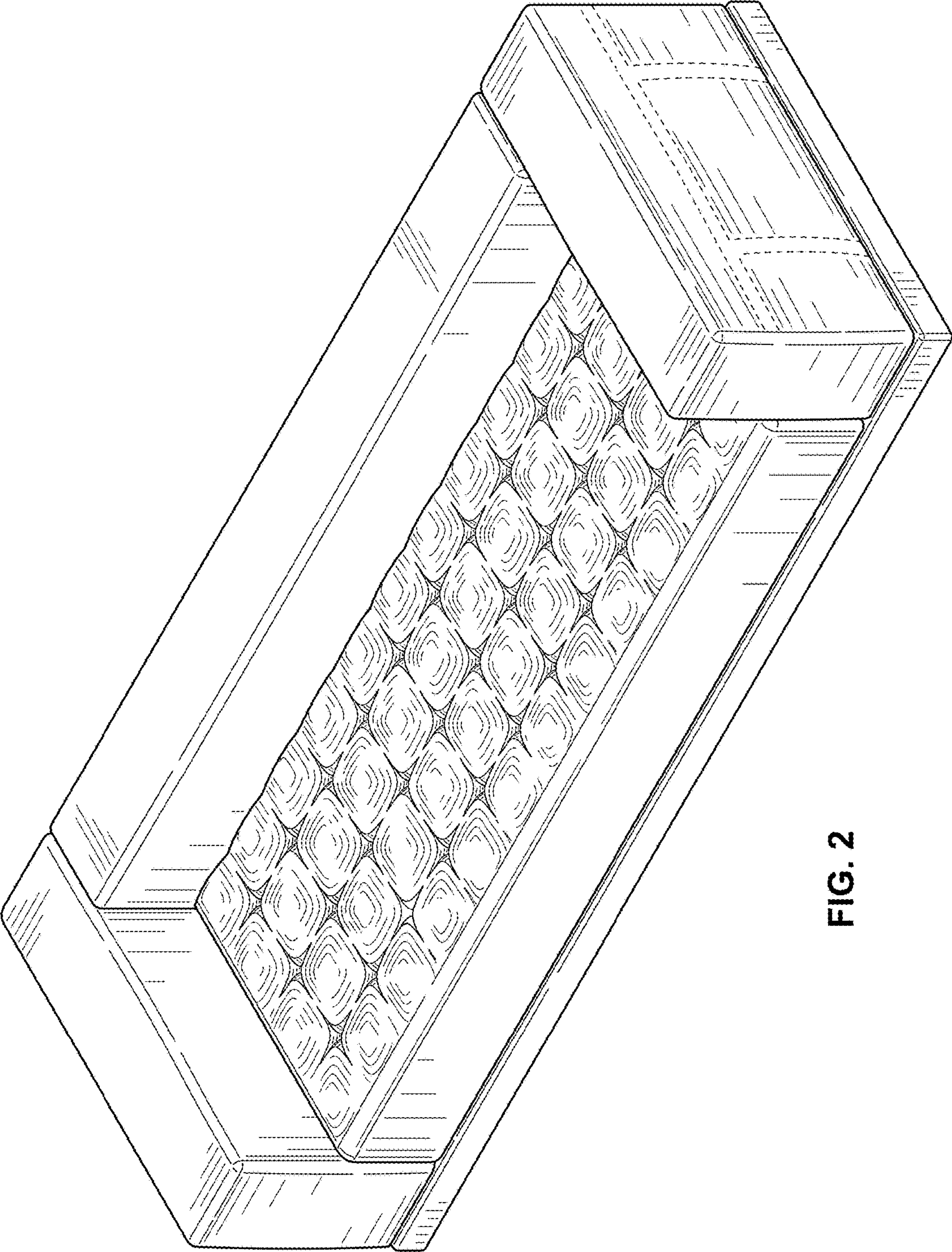


FIG. 2

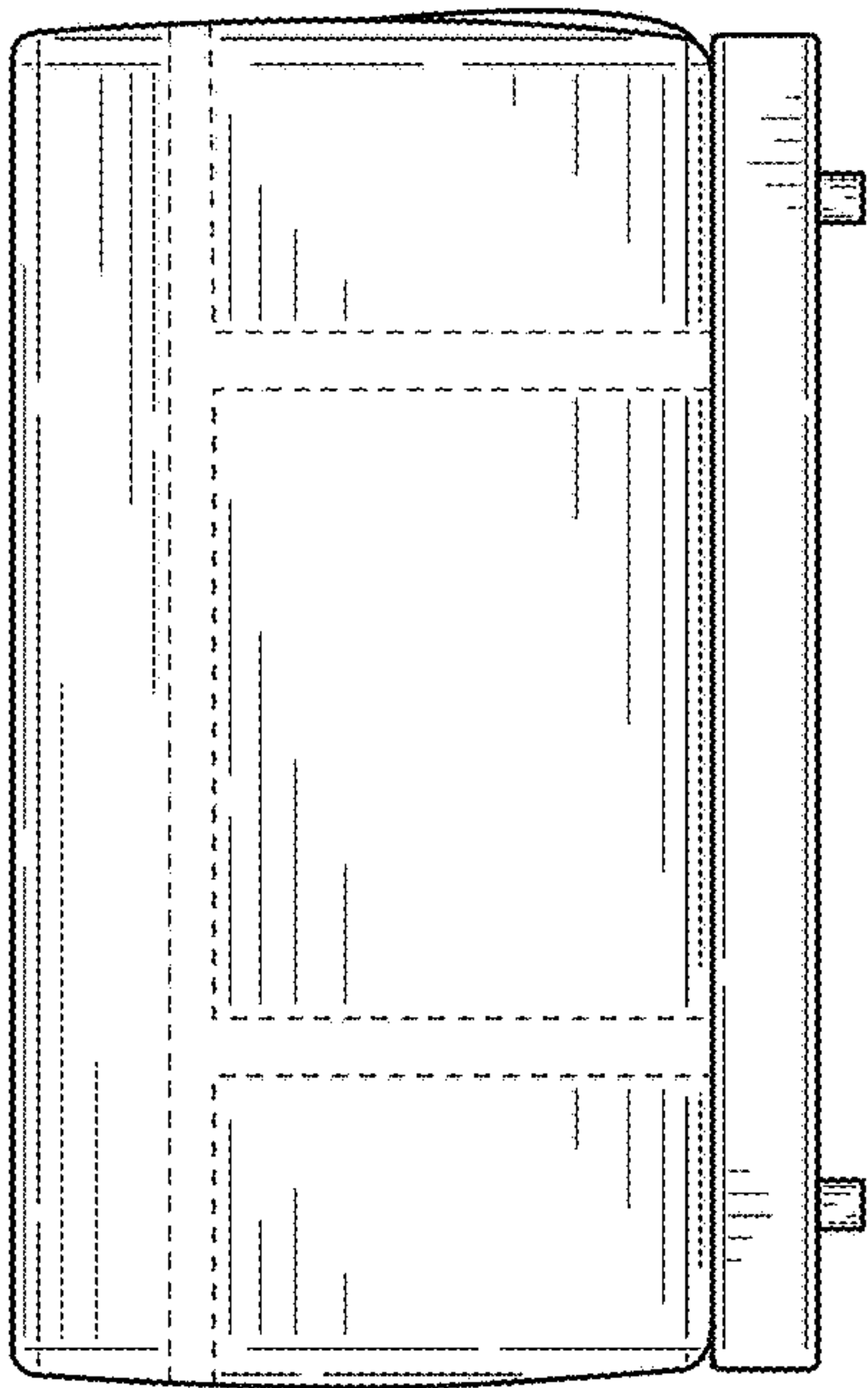


FIG. 3

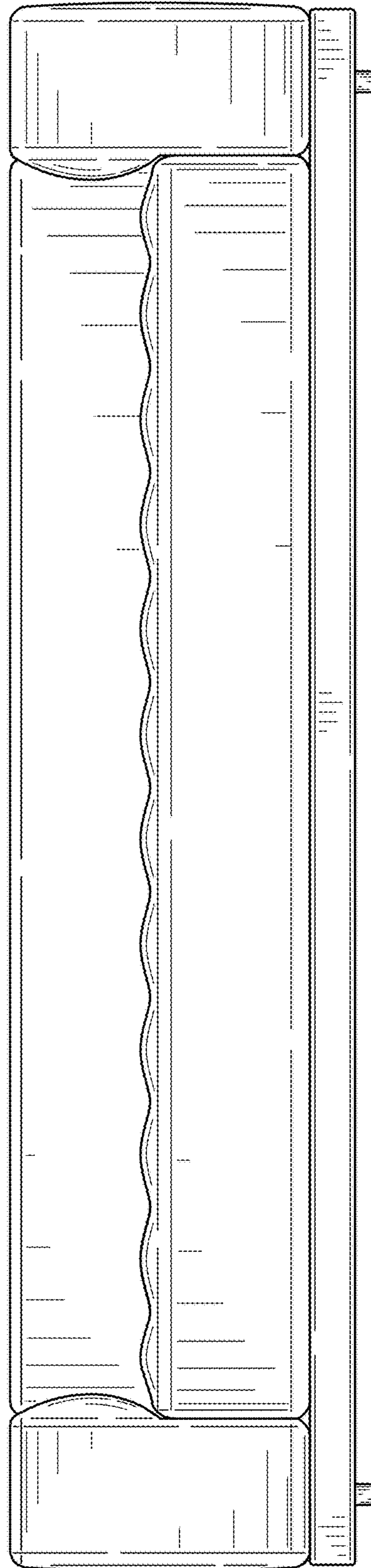


FIG. 4

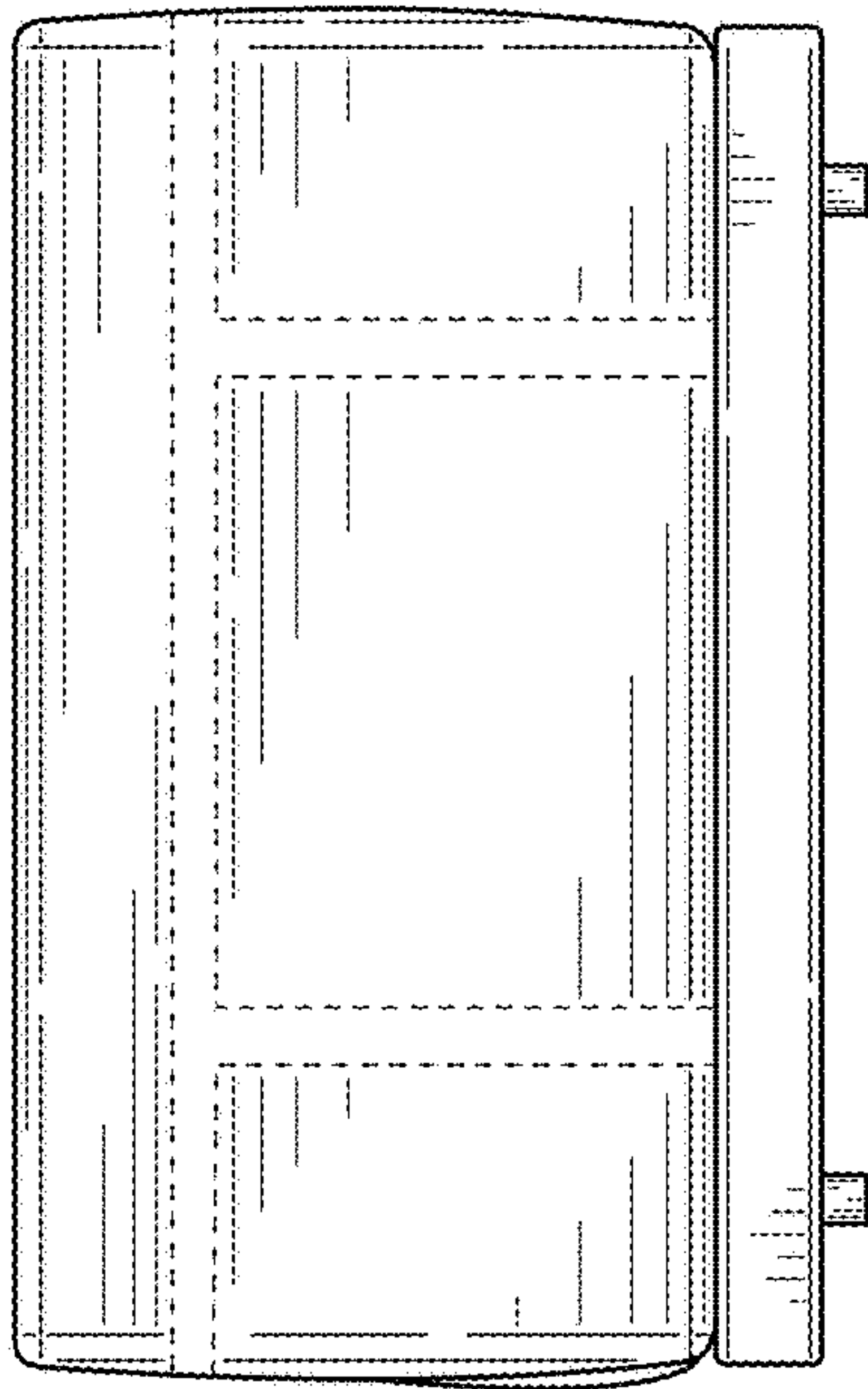


FIG. 5

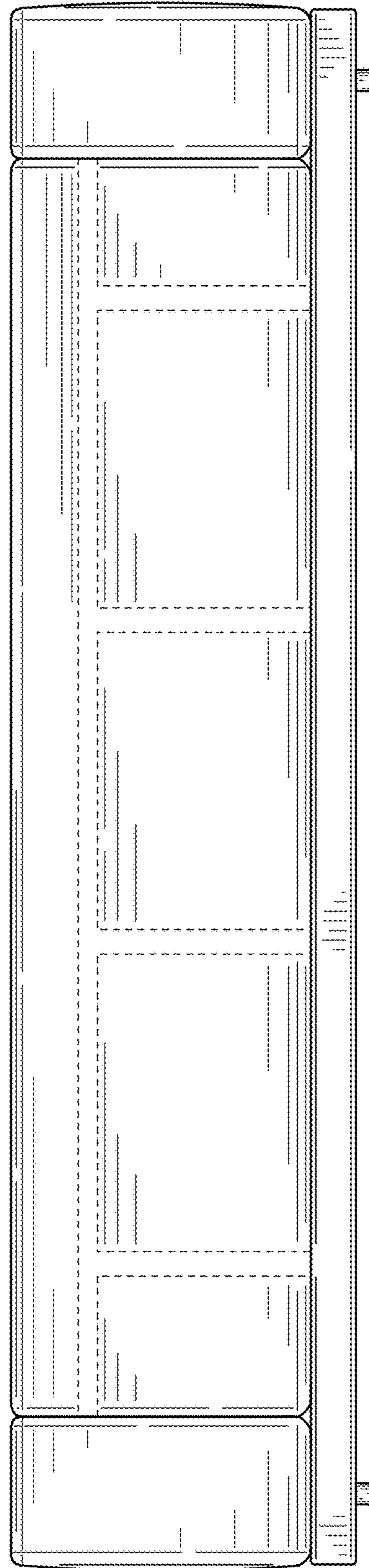


FIG. 6

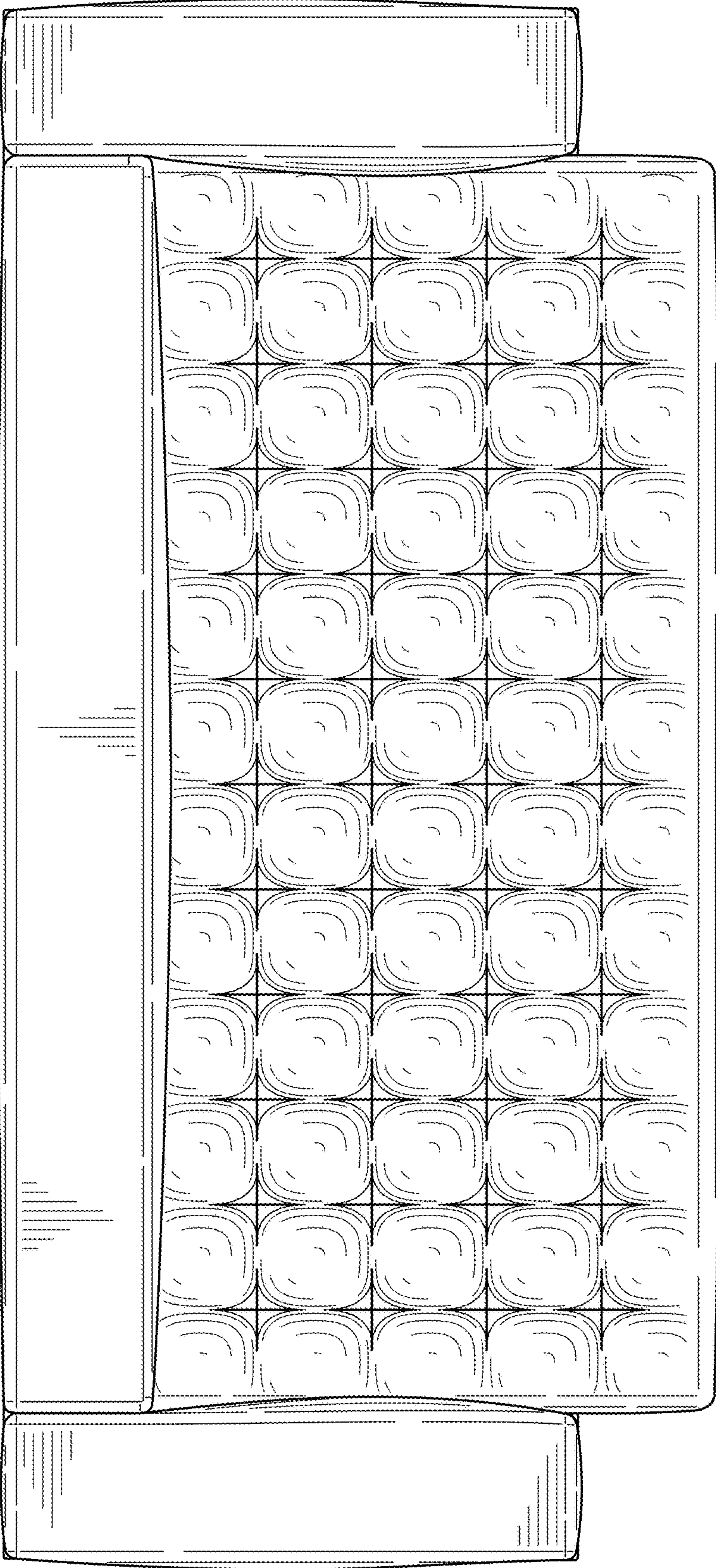


FIG. 7

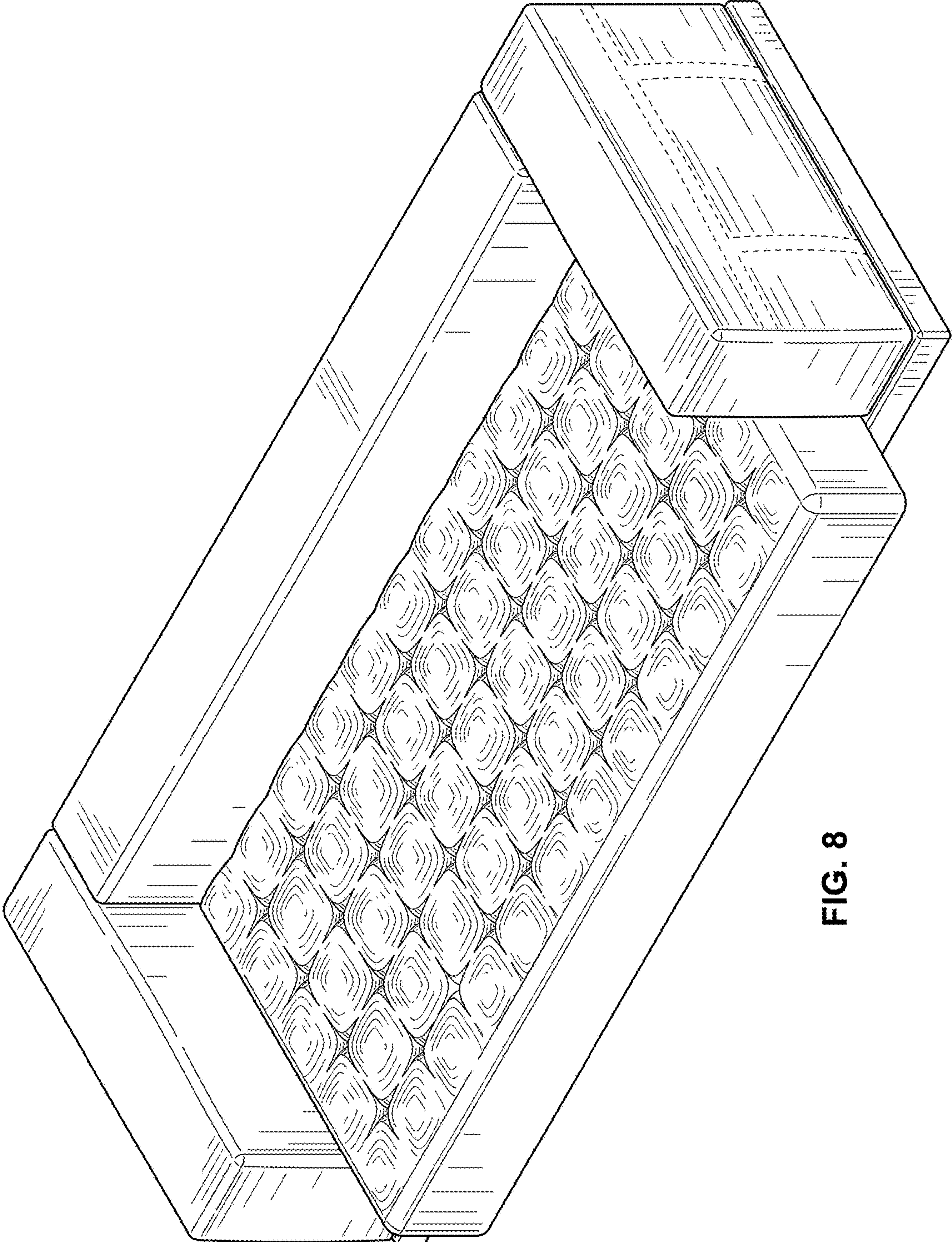


FIG. 8

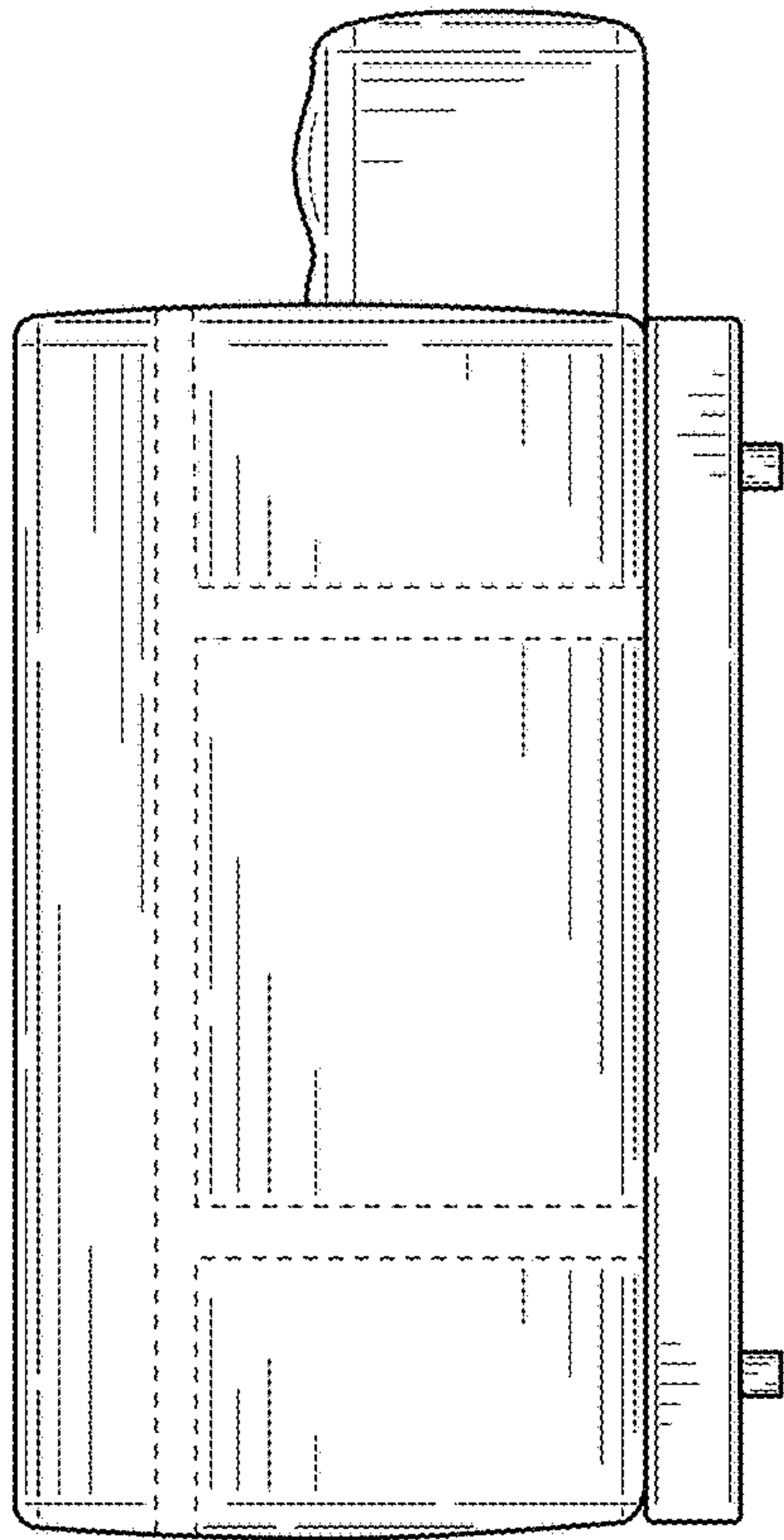


FIG. 9

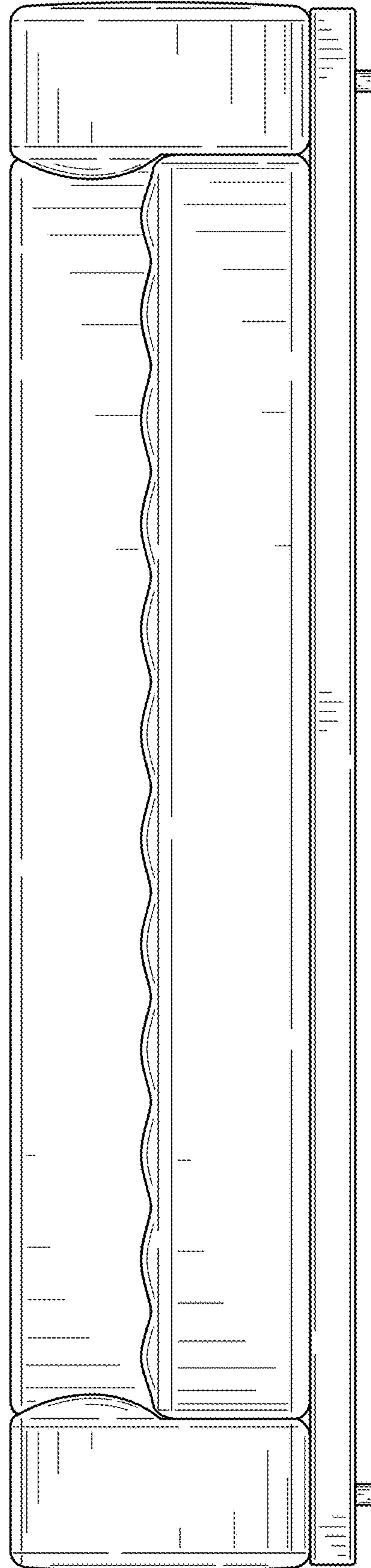


FIG. 10

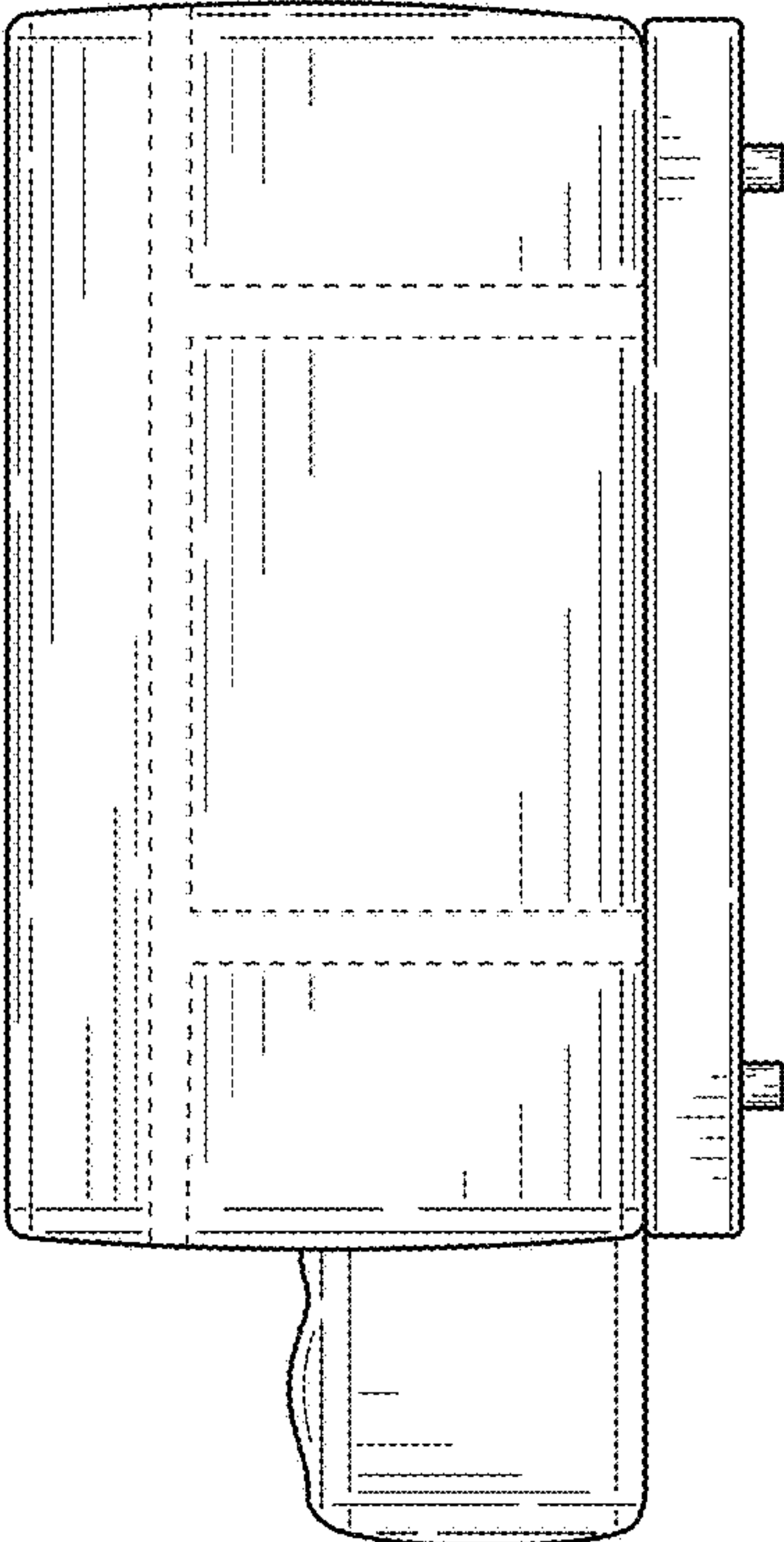


FIG. 11

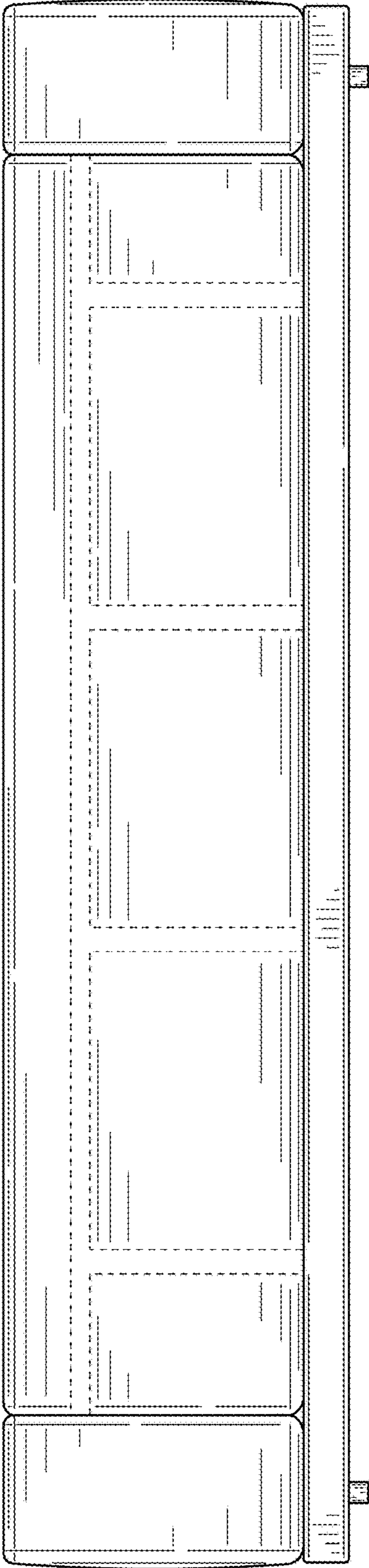


FIG. 12