



US00D781604S

(12) **United States Design Patent**  
**Smith et al.**

(10) **Patent No.:** **US D781,604 S**  
(45) **Date of Patent:** **\*\* Mar. 21, 2017**

(54) **CHAIR**  
(71) Applicant: **Steelcase Inc.**, Grand Rapids, MI (US)  
(72) Inventors: **Bruce M. Smith**, East Grand Rapids, MI (US); **Gordon Jay Peterson**, Rockford, MI (US); **Robert J. Battey**, Middleville, MI (US); **John A. Colasanti**, Jenison, MI (US); **Fredric Biddle**, Kalamazoo, MI (US)

4,190,289 A 2/1980 Brunig et al.  
4,711,491 A 12/1987 Ginat  
4,844,544 A 7/1989 Ochiai  
4,861,107 A 8/1989 Vidwans et al.  
5,439,267 A 8/1995 Peterson et al.  
5,599,067 A 2/1997 Schuelke et al.  
5,622,405 A 4/1997 Pitencel  
5,718,478 A 2/1998 Allison

(Continued)

**FOREIGN PATENT DOCUMENTS**

(73) Assignee: **Steelcase Inc.**, Grand Rapids, MI (US)  
(\*\*) Term: **14 Years**

EP 1836935 9/2007  
EP 2233043 9/2010

(Continued)

(21) Appl. No.: **29/524,956**

**OTHER PUBLICATIONS**

(22) Filed: **Apr. 24, 2015**  
(51) **LOC (10) Cl.** ..... **06-01**  
(52) **U.S. Cl.**  
USPC ..... **D6/366**  
(58) **Field of Classification Search**  
USPC .... D6/334-336, 360-381, 716, 716.1-716.4  
CPC ..... A47C 1/02; A47C 1/03255; A47C 1/024;  
A47C 3/025; A47C 3/026; A47C 7/02;  
A47C 7/022; A47C 7/028; A47C 7/004;  
A47C 7/18; A47C 7/282; A47C 7/40;  
A47C 7/402; A47C 7/44; A47C 7/46;  
A47C 7/54; B60N 2/64; B60N 2/66  
See application file for complete search history.

Haworth, Inc.; Haworth X99 Chair Brochure; 2009.  
Steelcase Inc.; Werndl #1 Brochure; At least as early as 2013.  
Steelcase Inc.; Please Chair Brochure; 2009.

*Primary Examiner* — Ricky Pham  
(74) *Attorney, Agent, or Firm* — Price Heneveld LLP

(56) **References Cited**

**U.S. PATENT DOCUMENTS**

344,248 A 6/1886 Cawley  
1,763,294 A 7/1928 Emmert  
3,226,159 A 12/1965 Binding et al.  
3,254,918 A 6/1966 Barker  
3,865,450 A 2/1975 Bruenig  
3,885,831 A 5/1975 Rasmussen

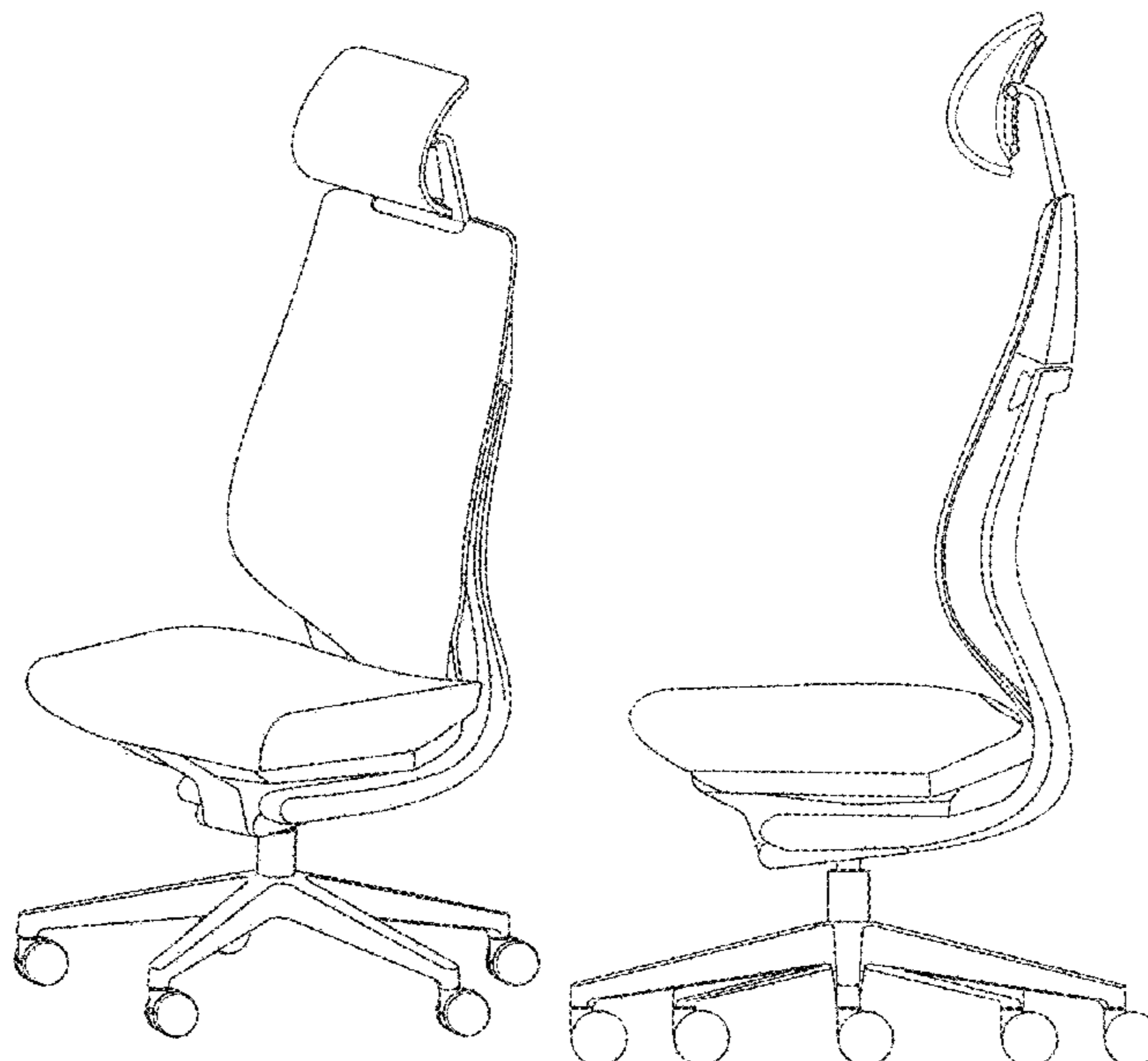
(57) **CLAIM**

We claim the ornamental design for a chair, as shown and described.

**DESCRIPTION**

FIG. 1 is a front perspective view of a chair embodying the present invention;  
FIG. 2 is a front elevational view of the chair;  
FIG. 3 is a first side elevational view of the chair;  
FIG. 4 is a second side elevational view of the chair;  
FIG. 5 is a rear elevational view of the chair;  
FIG. 6 is a top plan view of the chair; and,  
FIG. 7 is a bottom plan view of the chair.

**1 Claim, 7 Drawing Sheets**



(56)

References Cited

U.S. PATENT DOCUMENTS

5,725,276	A	3/1998	Ginat	6,945,601	B1	9/2005	Wu	
5,772,282	A	6/1998	Stumpf et al.	6,948,775	B2	9/2005	Tsai	
5,871,258	A	2/1999	Batthey et al.	6,955,402	B2	10/2005	VanDeRiet et al.	
5,934,758	A	8/1999	Ritch et al.	6,966,604	B2	11/2005	Stumpf et al.	
5,975,634	A	11/1999	Knoblock et al.	D512,232	S	12/2005	Wu	
6,000,759	A	12/1999	Pedronno et al.	6,983,997	B2	1/2006	Wilkerson et al.	
6,035,901	A	3/2000	Stumpf et al.	D514,832	S	2/2006	Tsai	
6,039,397	A	3/2000	Ginat	D517,820	S *	3/2006	Citterio .....	D6/366
D423,261	S	4/2000	Ritch et al.	7,014,269	B2	3/2006	Coffield et al.	
6,053,578	A	4/2000	Van Hekken et al.	7,025,424	B2	4/2006	Harley	
6,059,366	A	5/2000	Hu	D521,755	S	5/2006	Kinoshita et al.	
6,059,368	A	5/2000	Stumpf et al.	D523,252	S	6/2006	Leitao	
6,076,892	A	6/2000	Van Hekken et al.	7,055,909	B2	6/2006	Wu	
6,079,776	A	6/2000	Breitner et al.	7,055,911	B2	6/2006	Simpson et al.	
6,079,785	A	6/2000	Peterson et al.	7,059,681	B2	6/2006	Kubo	
6,086,156	A	7/2000	Breen et al.	7,066,537	B2	6/2006	Coffield et al.	
6,113,192	A	9/2000	Schneider	7,066,546	B2	6/2006	Trego et al.	
6,125,521	A	10/2000	Stumpf et al.	7,097,247	B2	8/2006	Batthey et al.	
D436,456	S	1/2001	Neil	7,131,700	B2	11/2006	Knoblock et al.	
6,178,595	B1	1/2001	Marinoni	D535,505	S	1/2007	Cai	
6,199,947	B1	3/2001	Wiklund	7,159,947	B1	1/2007	Lee	
6,220,661	B1	4/2001	Peterson	D541,062	S	4/2007	Su	
D446,033	S	8/2001	Koepke et al.	7,201,449	B2	4/2007	Tsai	
D451,723	S	12/2001	Grove	D543,040	S	5/2007	Hara	
6,364,415	B1	4/2002	Mori et al.	D543,042	S	5/2007	Hara	
6,382,719	B1	5/2002	Heidmann et al.	7,213,880	B2	5/2007	Schmitz et al.	
6,386,634	B1	5/2002	Stumpf et al.	7,213,886	B2	5/2007	Schmitz et al.	
6,394,546	B1	5/2002	Knoblock et al.	7,216,936	B2	5/2007	Peterson	
6,394,548	B1	5/2002	Batthey et al.	D543,717	S	6/2007	Chen	
6,394,549	B1	5/2002	DeKraker et al.	D544,722	S	6/2007	Scheper et al.	
6,412,872	B2	7/2002	Takeda et al.	D545,582	S	7/2007	Wu	
6,419,318	B1	7/2002	Albright et al.	7,249,802	B2	7/2007	Schmitz et al.	
6,419,322	B2	7/2002	Nakane et al.	D548,474	S	8/2007	Fancelli	
6,460,932	B1	10/2002	Koish et al.	D548,994	S	8/2007	Mao	
6,471,294	B1	10/2002	Dammermann et al.	D549,473	S	8/2007	Wagner	
6,499,801	B1	12/2002	Peterson et al.	D549,474	S	8/2007	Wagner	
6,502,904	B1	1/2003	Hansen	D549,976	S	9/2007	Lin	
6,508,509	B2	1/2003	Peterson	D550,976	S	9/2007	Bellini et al.	
6,572,190	B2	6/2003	Koepke et al.	7,270,378	B2	9/2007	Wilkerson et al.	
6,588,842	B2	7/2003	Stumpf et al.	7,273,253	B2	9/2007	Deimen et al.	
6,609,755	B2	8/2003	Koepke et al.	D552,857	S	10/2007	Wang	
6,616,228	B2	9/2003	Heidmann	7,281,764	B2	10/2007	Thole	
6,619,746	B2	9/2003	Roslund, Jr. et al.	D554,877	S	11/2007	Tsai	
D482,205	S	11/2003	English et al.	D557,024	S	12/2007	Chen	
6,644,749	B2	11/2003	VanDeRiet et al.	D557,027	S	12/2007	Hara	
6,669,292	B2	12/2003	Koepke et al.	D557,914	S	12/2007	Ong	
D486,656	S	2/2004	Su	D557,950	S	12/2007	Lu	
6,688,690	B2	2/2004	Watson et al.	7,303,232	B1	12/2007	Chen	
D487,359	S	3/2004	Giugiaro	D558,492	S	1/2008	Lu	
6,702,390	B2	3/2004	Stumpf et al.	7,334,845	B2	2/2008	Peterson et al.	
6,709,060	B1	3/2004	Su	7,338,130	B2	3/2008	Daume	
6,722,741	B2	4/2004	Stumpf et al.	7,360,835	B2	4/2008	Tubergen et al.	
6,726,278	B1	4/2004	Albright et al.	7,360,839	B1	4/2008	Chen	
6,726,286	B2	4/2004	Stumpf et al.	7,367,622	B2	5/2008	Roslund et al.	
6,729,691	B2	5/2004	Koepke et al.	D571,569	S	6/2008	Fancelli	
6,733,080	B2	5/2004	Stumpf et al.	D572,493	S	7/2008	Zhang	
D490,994	S	6/2004	Schmitz et al.	D573,361	S	7/2008	Kung	
6,758,523	B2	7/2004	VanDeRiet et al.	7,410,218	B2	8/2008	Kotani et al.	
D493,626	S	8/2004	James	D576,809	S	9/2008	Christianson et al.	
D493,627	S	8/2004	Ma	D576,813	S	9/2008	Baldanzi et al.	
6,779,839	B2	8/2004	Andreasson et al.	D576,814	S	9/2008	Baldanzi et al.	
D496,812	S	10/2004	Chu	7,419,222	B2	9/2008	Schmitz et al.	
D497,264	S	10/2004	Aubriet et al.	7,425,037	B2	9/2008	Schmitz et al.	
6,824,212	B2	11/2004	Malsch et al.	7,425,039	B2	9/2008	Lin	
D499,564	S	12/2004	Meda	7,427,105	B2	9/2008	Knoblock et al.	
6,837,546	B2	1/2005	VanDeRiet et al.	7,434,879	B2	10/2008	Ueda et al.	
6,857,704	B2	2/2005	Stenzel et al.	7,494,188	B1	2/2009	Lin	
6,874,852	B2	4/2005	Footitt	7,500,718	B2	3/2009	Fookes	
6,880,215	B2	4/2005	Peterson	7,517,009	B2	4/2009	Mauro et al.	
6,899,398	B2	5/2005	Coffield	7,527,335	B2	5/2009	Eberlein et al.	
D507,124	S	7/2005	Yang	7,533,939	B2	5/2009	Fookes et al.	
D507,423	S	7/2005	Beaulieu et al.	D593,345	S	6/2009	Schweikarth et al.	
6,913,315	B2	7/2005	Ball et al.	7,549,704	B1	6/2009	Chou et al.	
D507,910	S	8/2005	Bock	7,594,700	B2	9/2009	Stumpf et al.	
6,942,300	B2	9/2005	Numa et al.	D601,830	S	10/2009	Egger	
				7,604,298	B2	10/2009	Peterson et al.	
				7,625,045	B2	12/2009	Hatcher et al.	
				D610,822	S	3/2010	Chen	
				D613,085	S *	4/2010	Fujita .....	D6/366



(56)

References Cited

U.S. PATENT DOCUMENTS

D613,086 S \* 4/2010 Fujita ..... D6/366  
 D613,087 S \* 4/2010 Fujita ..... D6/366  
 7,690,729 B2 4/2010 Liao  
 7,744,159 B2 6/2010 Lee  
 7,798,573 B2 9/2010 Pennington et al.  
 7,806,481 B2 10/2010 Eberlein  
 7,815,259 B2 10/2010 Fookes et al.  
 7,828,389 B2 11/2010 Oda  
 7,832,803 B2 11/2010 Cassaday  
 7,837,269 B2 11/2010 Bock  
 7,837,272 B2 11/2010 Masunaga et al.  
 7,841,665 B2 11/2010 Geister et al.  
 7,841,666 B2 11/2010 Schmitz et al.  
 7,857,388 B2 12/2010 Bedford et al.  
 7,887,131 B2 2/2011 Chadwick et al.  
 7,887,135 B2 2/2011 Oda  
 D634,558 S 3/2011 Deisig  
 7,922,248 B2 4/2011 Aldrich et al.  
 D638,635 S 5/2011 Sander et al.  
 7,980,631 B2 7/2011 Diffrient  
 8,016,360 B2 9/2011 Machael et al.  
 8,029,066 B2 10/2011 Su  
 8,038,212 B2 10/2011 Vickers et al.  
 D648,947 S 11/2011 Ong  
 8,061,778 B2 11/2011 Machael et al.  
 D650,617 S 12/2011 Chen  
 D652,223 S \* 1/2012 Fujita ..... D6/366  
 D653,467 S 2/2012 Ballendat  
 D654,709 S 2/2012 Fujita  
 D654,711 S 2/2012 Fujita  
 D655,524 S 3/2012 Kim  
 D657,166 S 4/2012 Behar et al.  
 D657,594 S 4/2012 Knight et al.  
 D663,129 S \* 7/2012 Greutmann ..... D6/366  
 D683,150 S \* 5/2013 Smith ..... D6/366  
 D683,151 S \* 5/2013 Smith ..... D6/366  
 D688,499 S \* 8/2013 Smith ..... D6/716  
 D689,313 S \* 9/2013 Smith ..... D6/716  
 D690,146 S \* 9/2013 Smith ..... D6/716  
 D690,547 S \* 10/2013 Smith ..... D6/716.4  
 D694,537 S \* 12/2013 Smith ..... D6/366

D694,538 S \* 12/2013 Smith ..... D6/366  
 D694,539 S \* 12/2013 Smith ..... D6/366  
 D695,538 S \* 12/2013 Geelen ..... D6/366  
 D697,726 S \* 1/2014 Smith ..... D6/366  
 D697,727 S \* 1/2014 Smith ..... D6/366  
 D697,728 S \* 1/2014 Smith ..... D6/366  
 D697,730 S \* 1/2014 Smith ..... D6/366  
 D699,958 S \* 2/2014 Smith ..... D6/366  
 D701,053 S \* 3/2014 Smith ..... D6/366  
 D701,068 S \* 3/2014 Usumoto ..... D6/366  
 8,662,591 B2 3/2014 Lin  
 D733,445 S \* 7/2015 Izawa ..... D6/366  
 D742,676 S \* 11/2015 Smith ..... D6/716  
 D742,677 S \* 11/2015 Smith ..... D6/716  
 2002/0003368 A1 1/2002 VanDeRiet et al.  
 2002/0074843 A1 6/2002 Malschet et al.  
 2003/0030317 A1 2/2003 Chen  
 2003/0047980 A1 3/2003 Vassallo  
 2004/0000805 A1 1/2004 VanDeRiet et al.  
 2004/0155503 A1 8/2004 Stumpf et al.  
 2005/0052061 A1 3/2005 Deimen et al.  
 2005/0062323 A1 3/2005 Dicks  
 2008/0122284 A1 5/2008 Yang  
 2009/0021069 A1 1/2009 Hentschel et al.  
 2010/0007190 A1 1/2010 Johnson et al.  
 2010/0237679 A1 9/2010 Tsukiji et al.  
 2010/0244521 A1 9/2010 Ueda  
 2010/0276978 A1 11/2010 Furuta et al.  
 2011/0012395 A1 1/2011 Roslund et al.  
 2011/0198907 A1 8/2011 Masunaga et al.  
 2011/0248543 A1 10/2011 Hitchcock et al.  
 2013/0093232 A1 4/2013 Lin  
 2013/0154314 A1 6/2013 Romero

FOREIGN PATENT DOCUMENTS

EP 2491821 8/2012  
 JP H11290154 10/1999  
 JP 2004155269 6/2004  
 KR 1020130019549 2/2013  
 WO 2008041868 2/2008  
 WO 2013051951 4/2013

\* cited by examiner

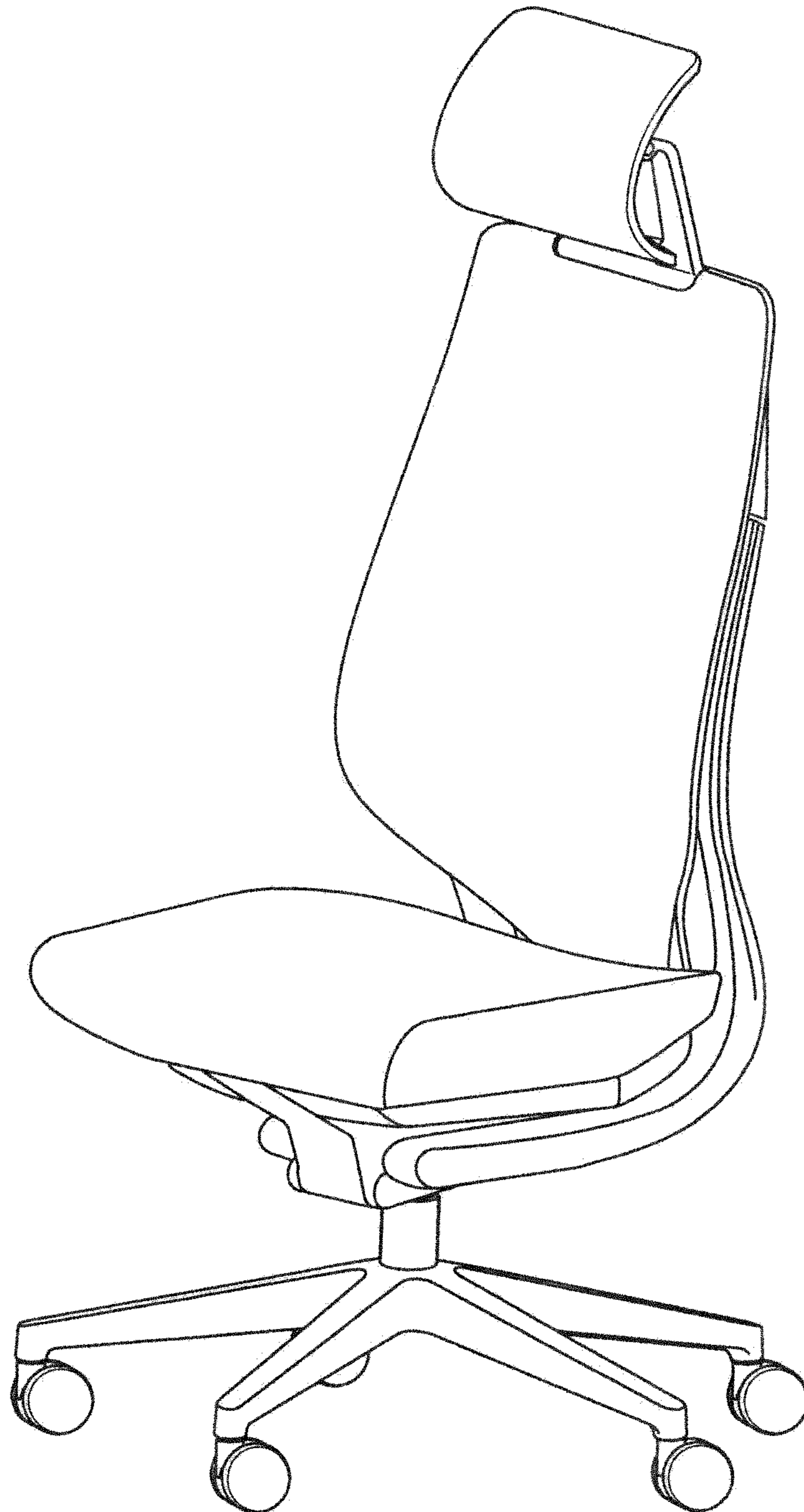


FIG. 1

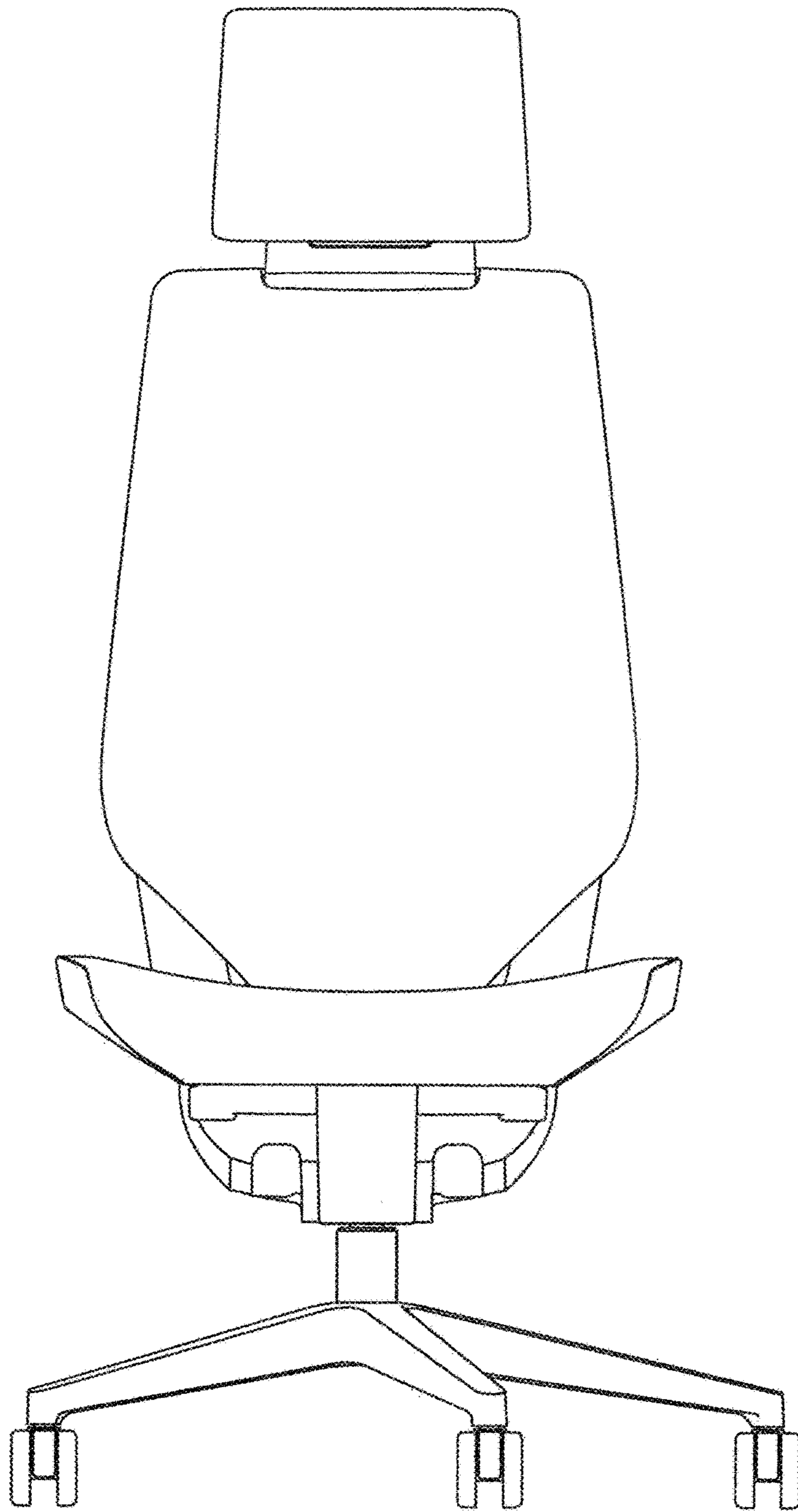


FIG. 2

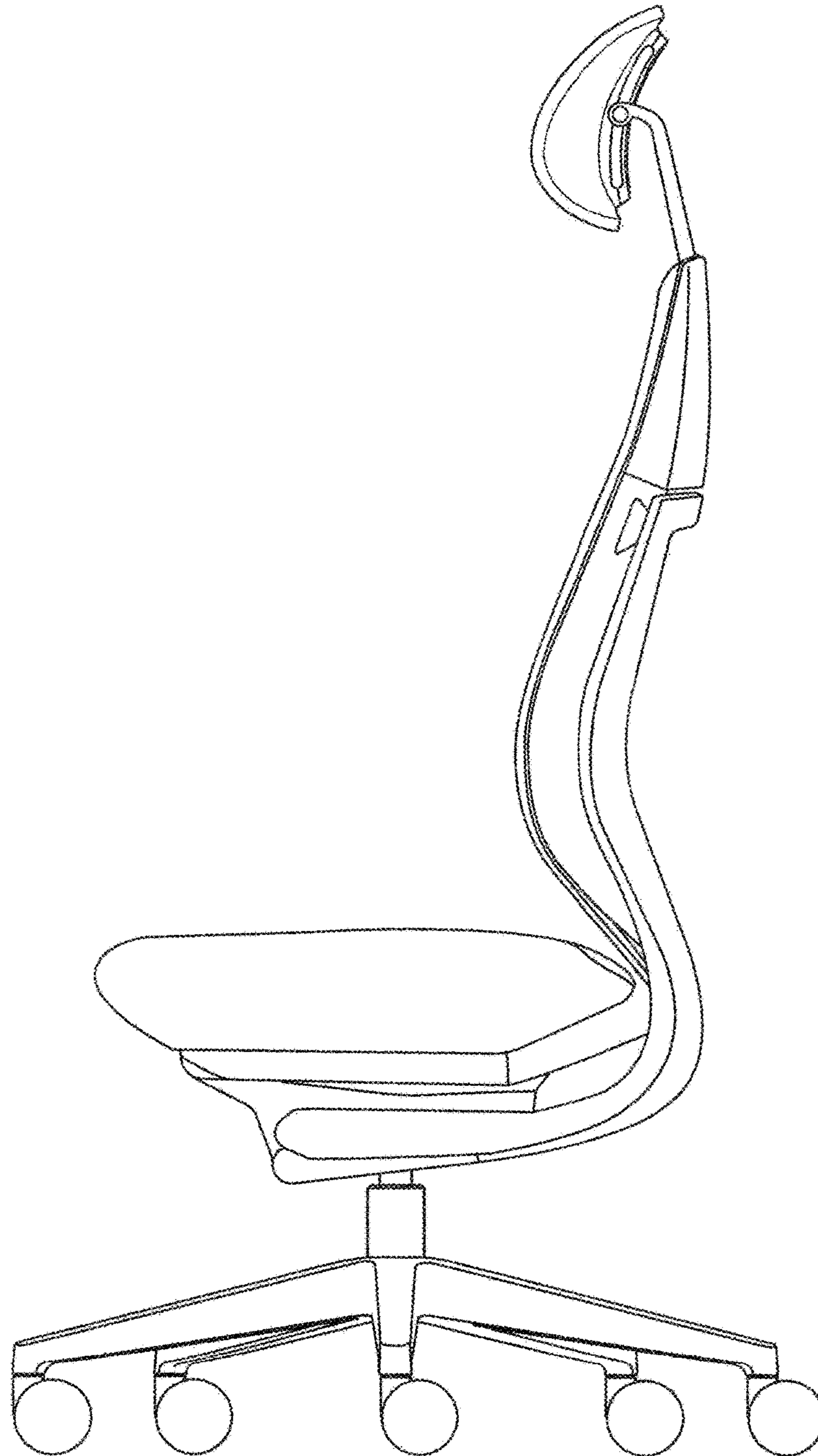


FIG. 3



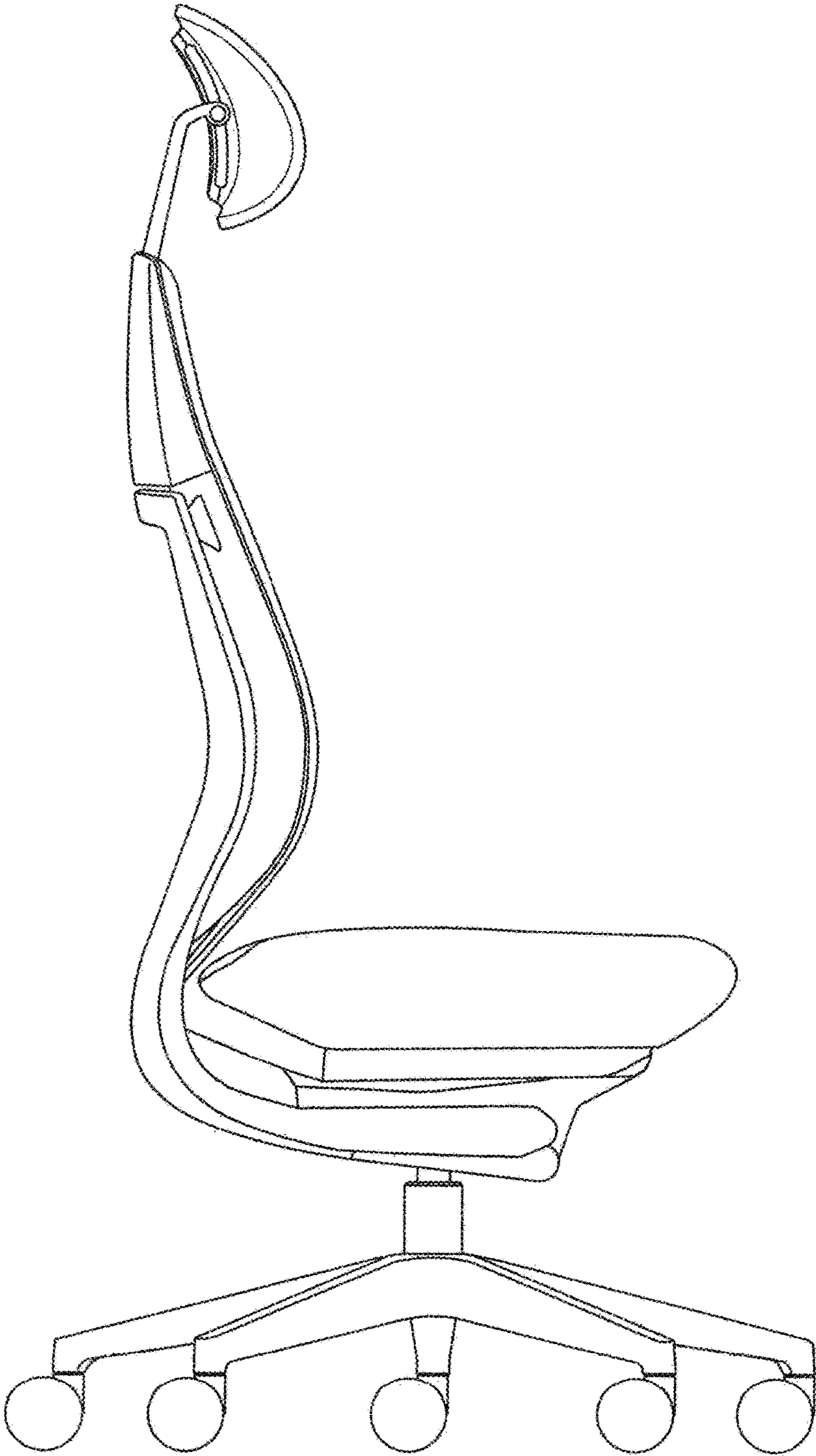


FIG. 4

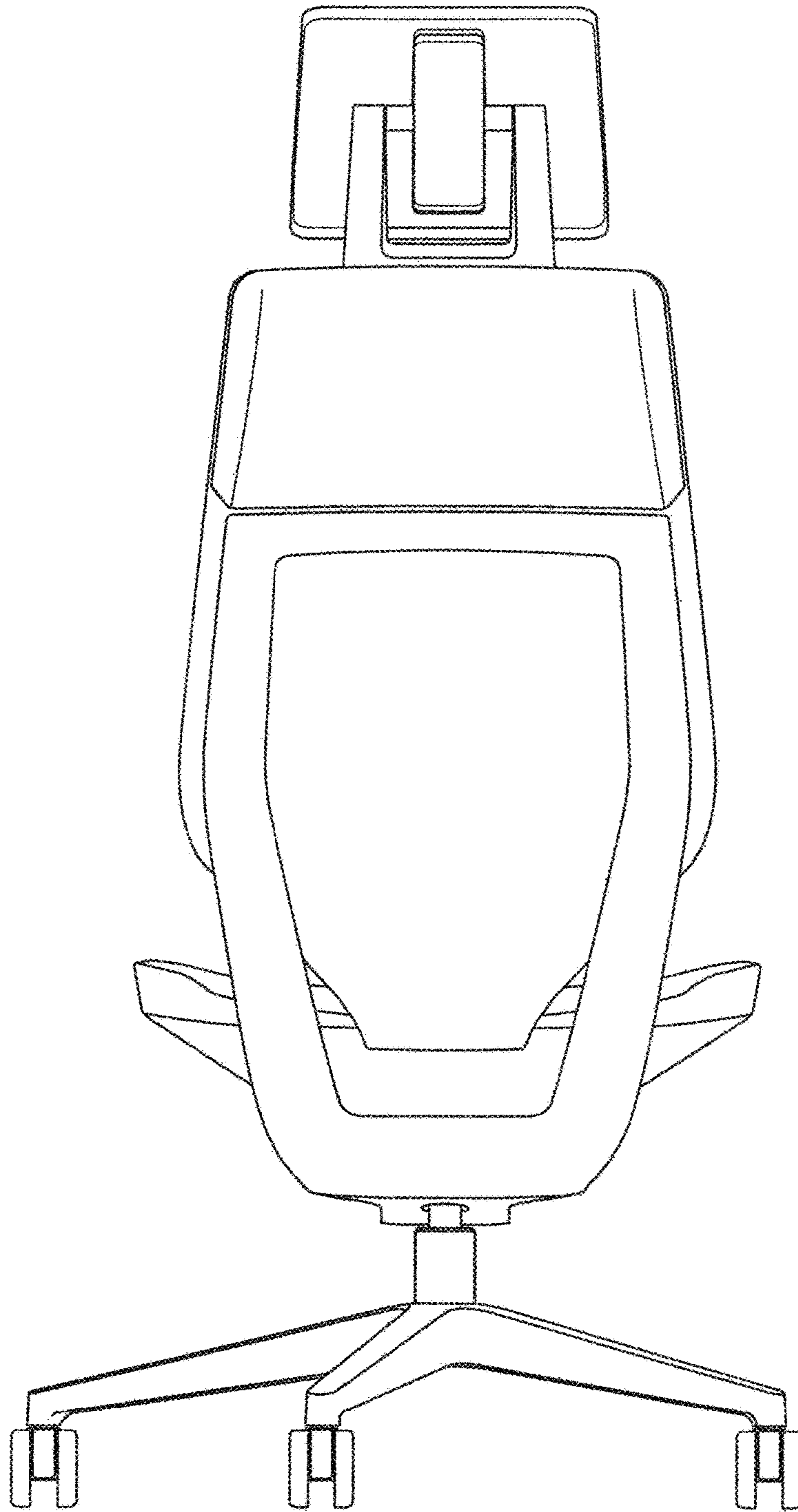


FIG. 5



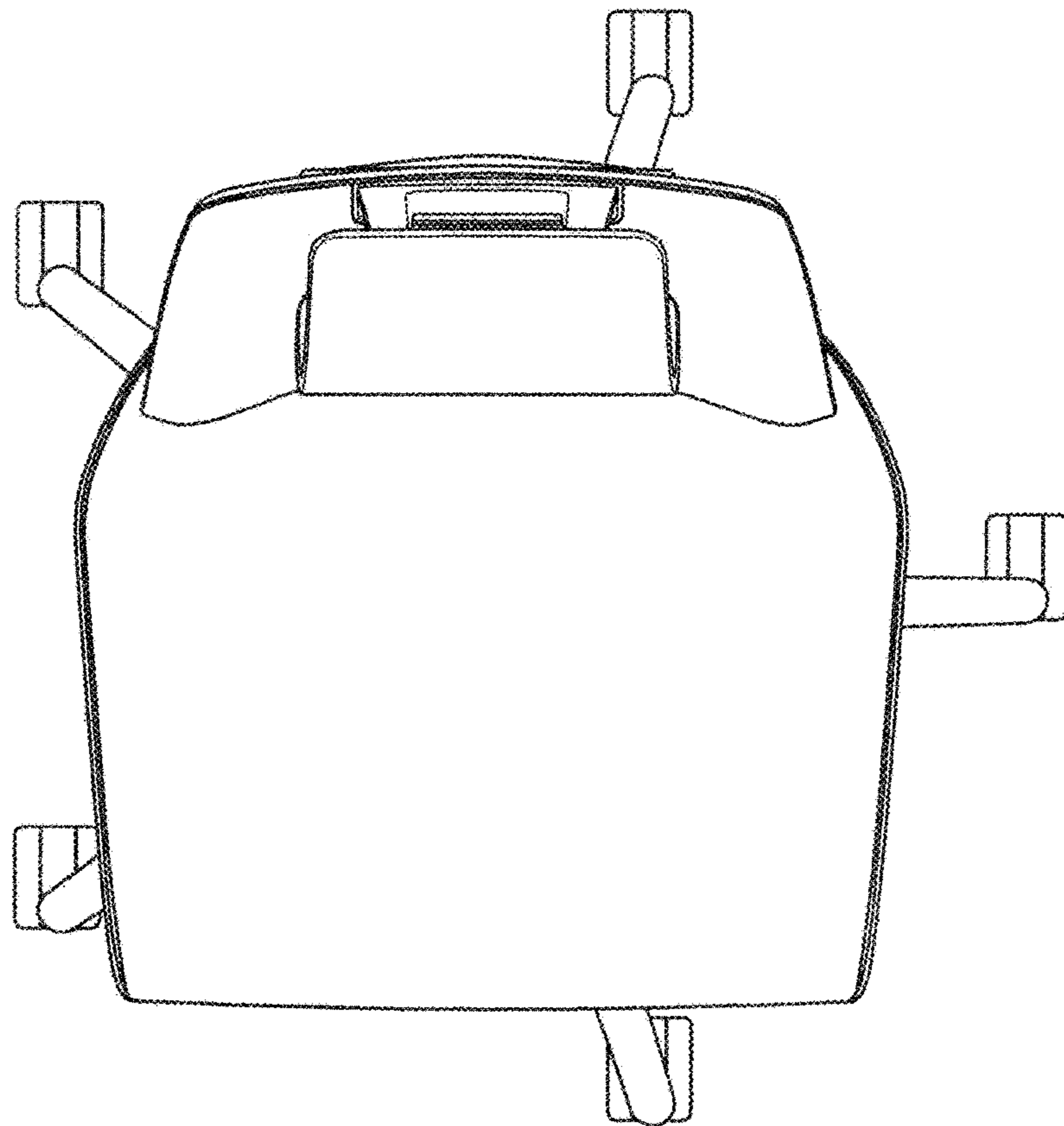


FIG. 6

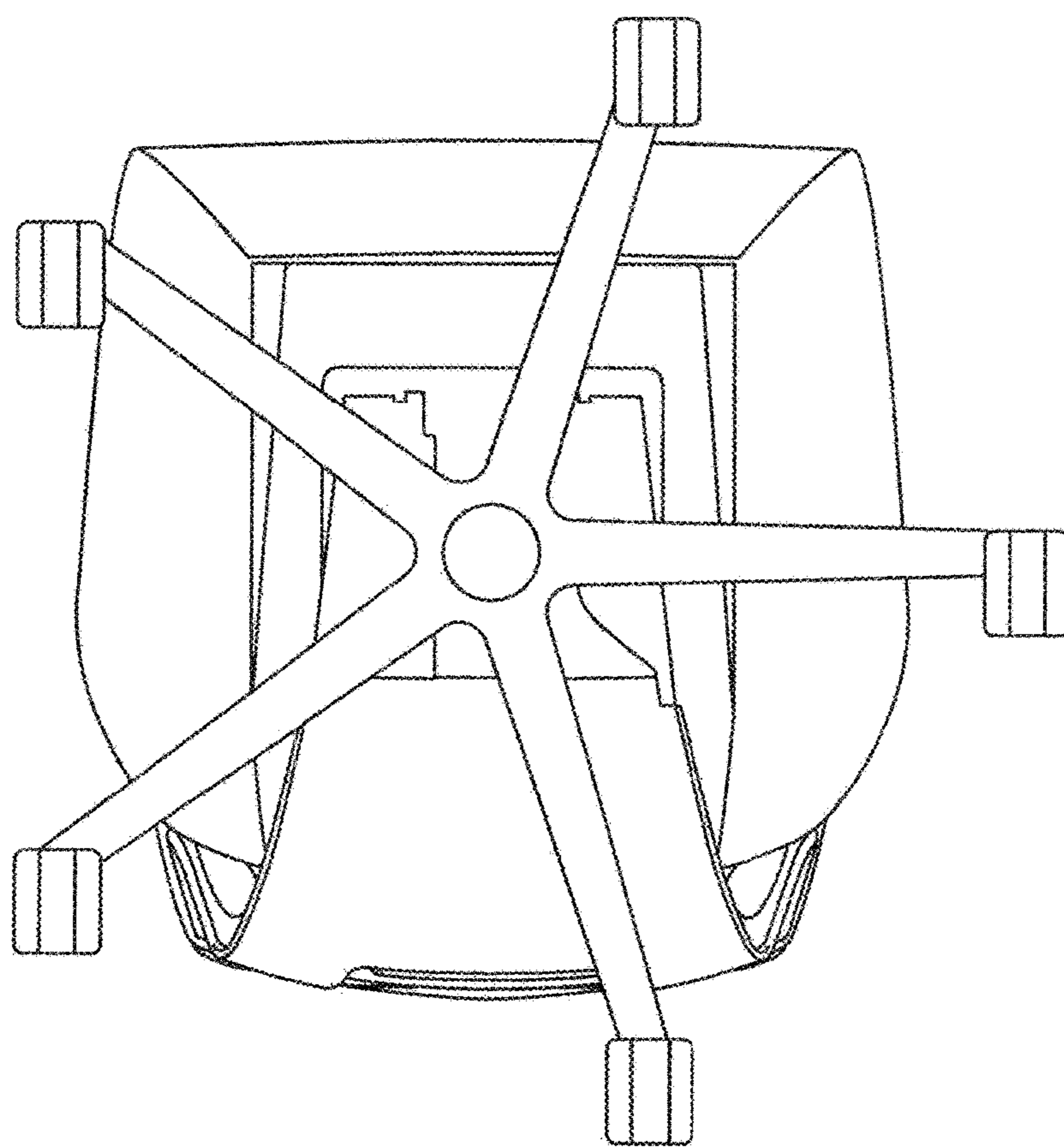


FIG. 7