



US00D781603S

(12) **United States Design Patent**
Kac-Yuglich

(10) **Patent No.:** **US D781,603 S**
(45) **Date of Patent:** **** Mar. 21, 2017**

(54) **CHAIR**

(71) Applicant: **Maximillian Kac-Yuglich**, Houston,
TX (US)

(72) Inventor: **Maximillian Kac-Yuglich**, Houston,
TX (US)

(**) Term: **14 Years**

(21) Appl. No.: **29/510,764**

(22) Filed: **Dec. 3, 2014**

(51) **LOC (10) Cl.** **06-01**

(52) **U.S. Cl.**
USPC **D6/366**

(58) **Field of Classification Search**
USPC D6/356, 364-368, 374; 297/183.6,
297/195.11, 452.24, 452.26, 452.28,
297/452.32-33, 452.37
CPC A47C 7/02; A47C 7/44; A47C 7/46; A47C
7/48; A47C 7/54; A47C 7/386; A47C
7/462; A47C 1/10; A47C 1/031; B60N
2/02; B60N 2/22; B60N 2/44
See application file for complete search history.

(56) **References Cited**

U.S. PATENT DOCUMENTS

D315,836 S	*	4/1991	Kaiser	D6/334
D333,733 S	*	3/1993	Sammons	D6/334
D401,769 S	*	12/1998	Kaiser	D6/334
D421,187 S	*	2/2000	Kaiser	D6/334
D421,344 S	*	3/2000	Kaiser	D6/334
D451,314 S	*	12/2001	Tseng	D6/366
D451,315 S	*	12/2001	Tseng	D6/366
D451,316 S	*	12/2001	Tseng	D6/366

D451,716 S	*	12/2001	Tseng	D6/366
D451,718 S	*	12/2001	Tseng	D6/366
D451,719 S	*	12/2001	Tseng	D6/366
D454,014 S	*	3/2002	Su	D6/366
D463,173 S	*	9/2002	Chi	D6/366
D473,409 S	*	4/2003	Chen	D6/366
D502,013 S	*	2/2005	Kaiser	D6/334
D502,014 S	*	2/2005	Kaiser	D6/334
D536,548 S	*	2/2007	Peitz	D6/374
D570,121 S	*	6/2008	Sammons	D6/334
D624,327 S	*	9/2010	Swy	D6/374
D646,073 S	*	10/2011	Socha, Jr.	D6/374
D731,831 S	*	6/2015	Swy	D6/716.4
D759,987 S	*	6/2016	Dong	D6/375
2006/0170274 A1	*	8/2006	Moule	B60N 2/643 297/452.25

* cited by examiner

Primary Examiner — Manpreet Matharu

Assistant Examiner — Keith Wilson

(74) *Attorney, Agent, or Firm* — Fletcher Yoder, P.C.

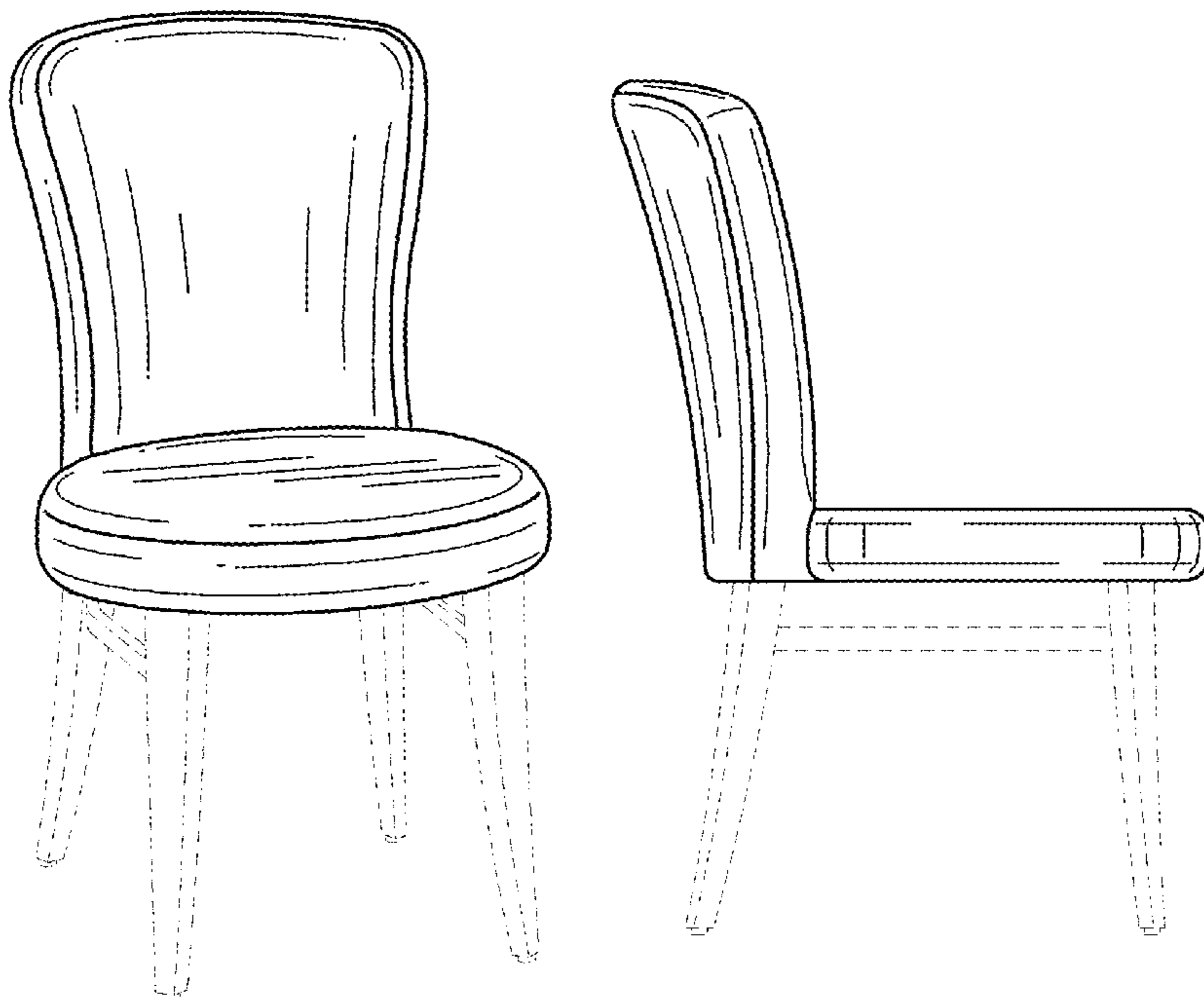
(57) **CLAIM**

The ornamental design for a chair, as shown and described.

DESCRIPTION

FIG. 1 is a front perspective view of a chair, in which the phantom lines illustrate a chair base;
FIG. 2 is a front elevation view of the chair;
FIG. 3 is a left side elevation view of the chair;
FIG. 4 is a back elevation view of the chair;
FIG. 5 is a right side elevation view of the chair;
FIG. 6 is a top view of the chair; and,
FIG. 7 is a bottom view of the chair.
The broken lines represent environment only and form no part of the claimed design.

1 Claim, 4 Drawing Sheets



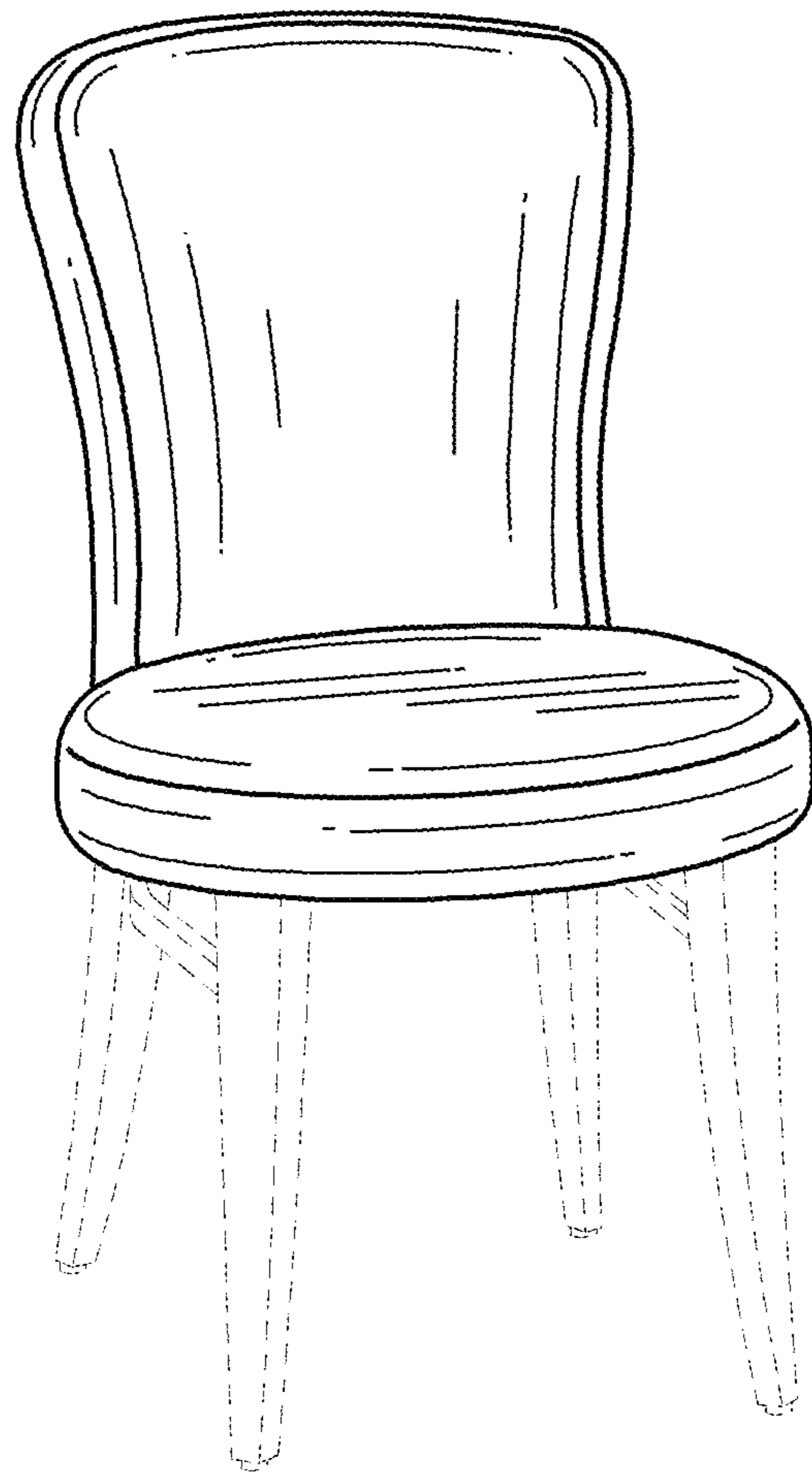


FIG. 1

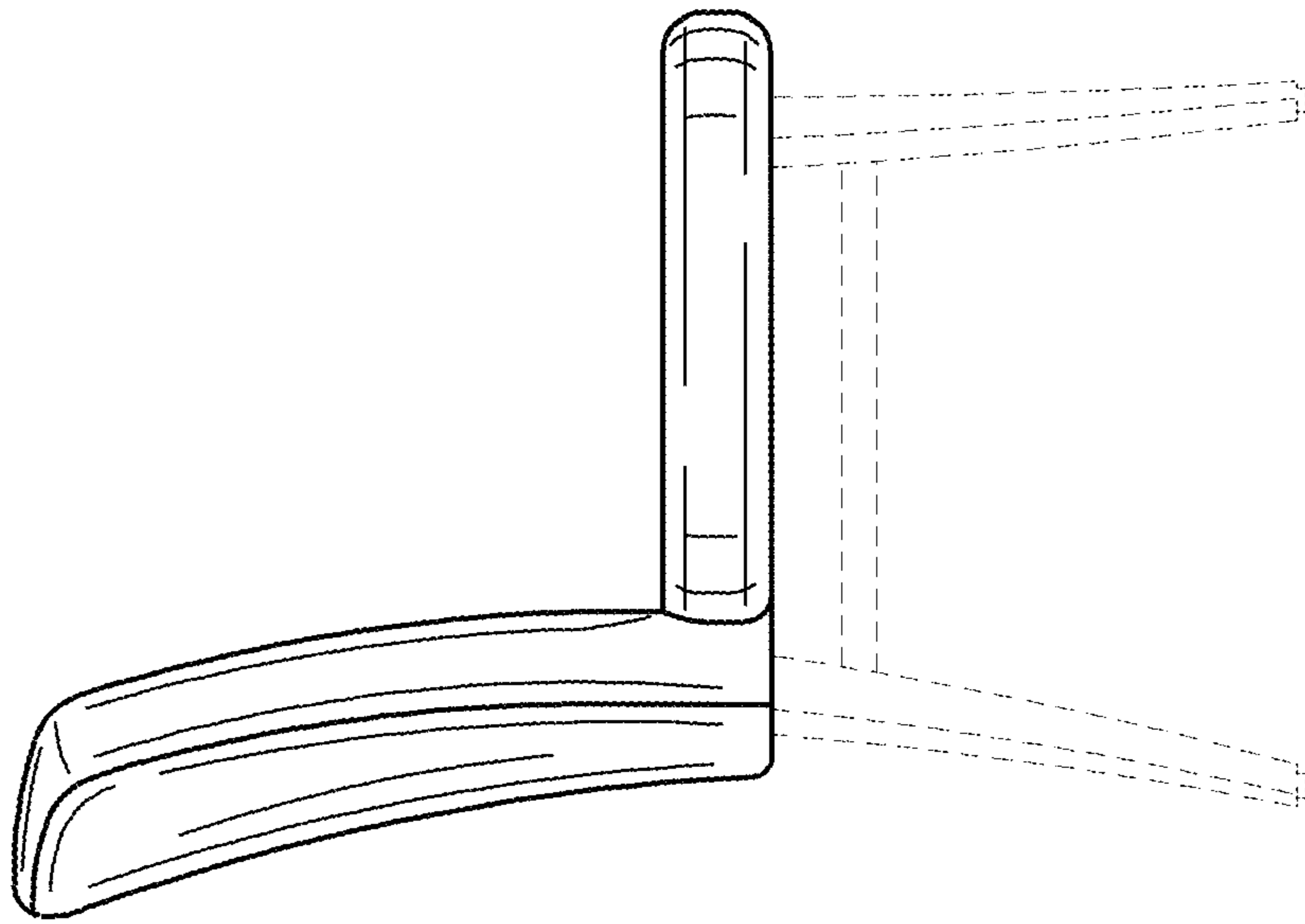


FIG. 3

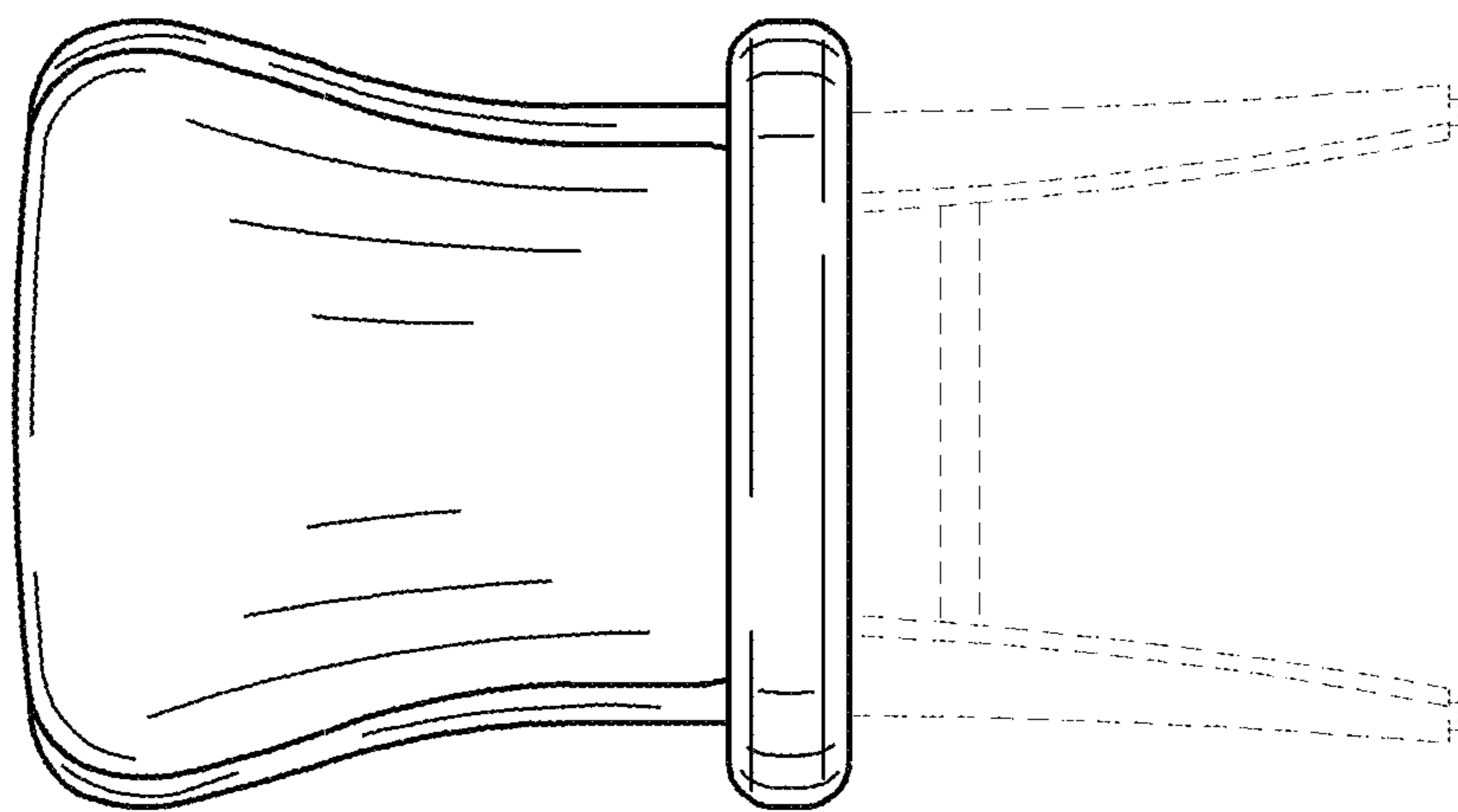


FIG. 2

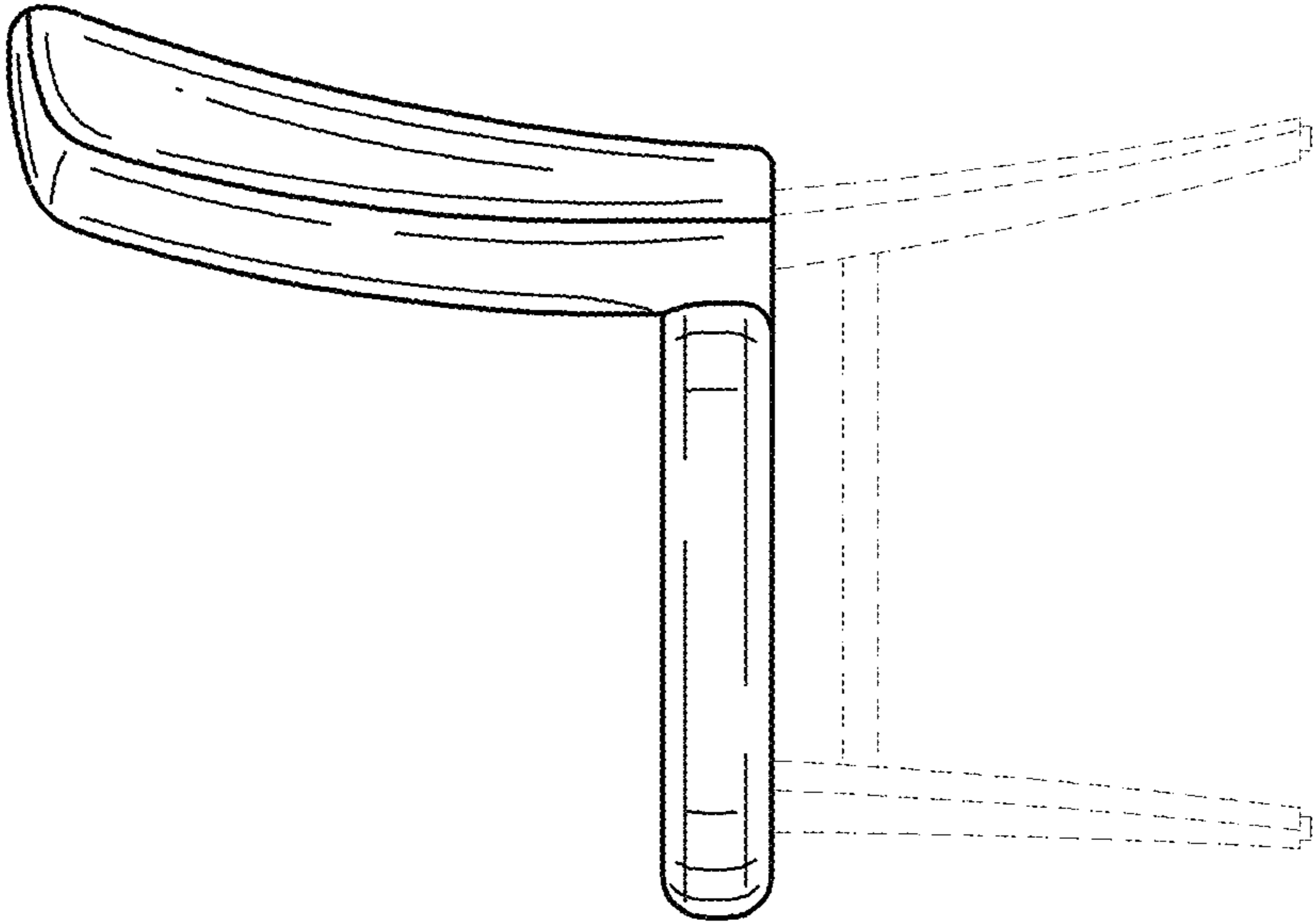


FIG. 5

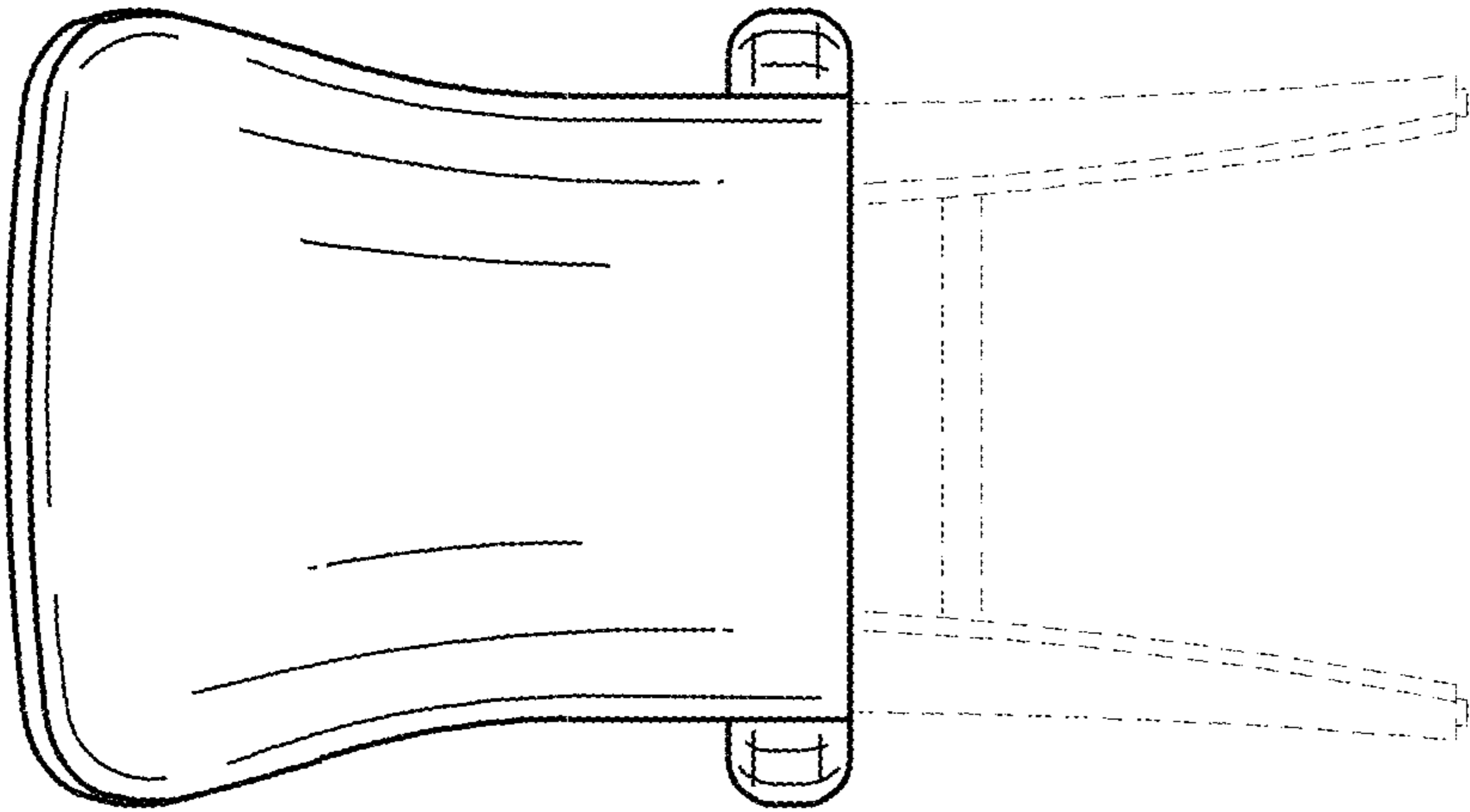


FIG. 4

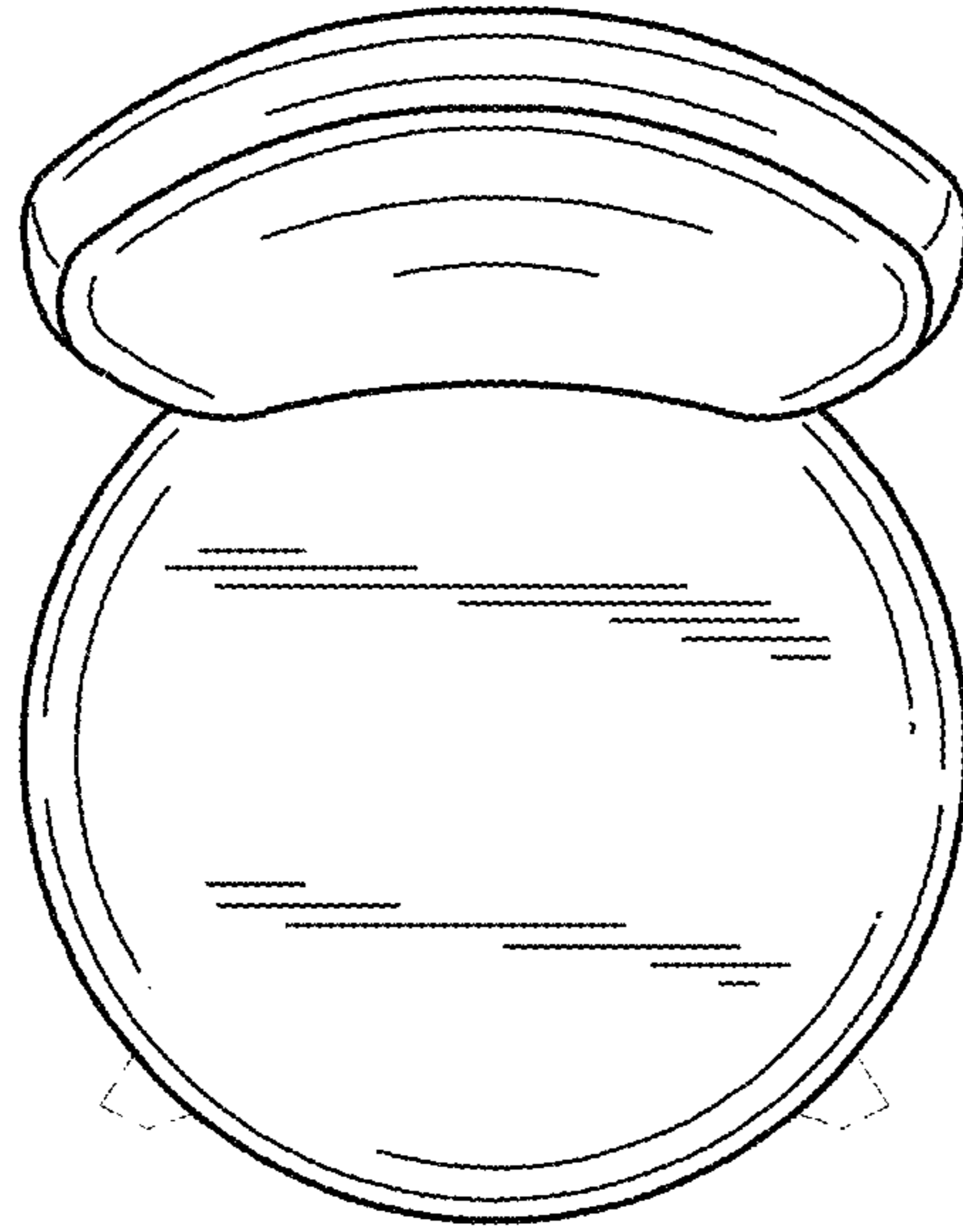


FIG. 6

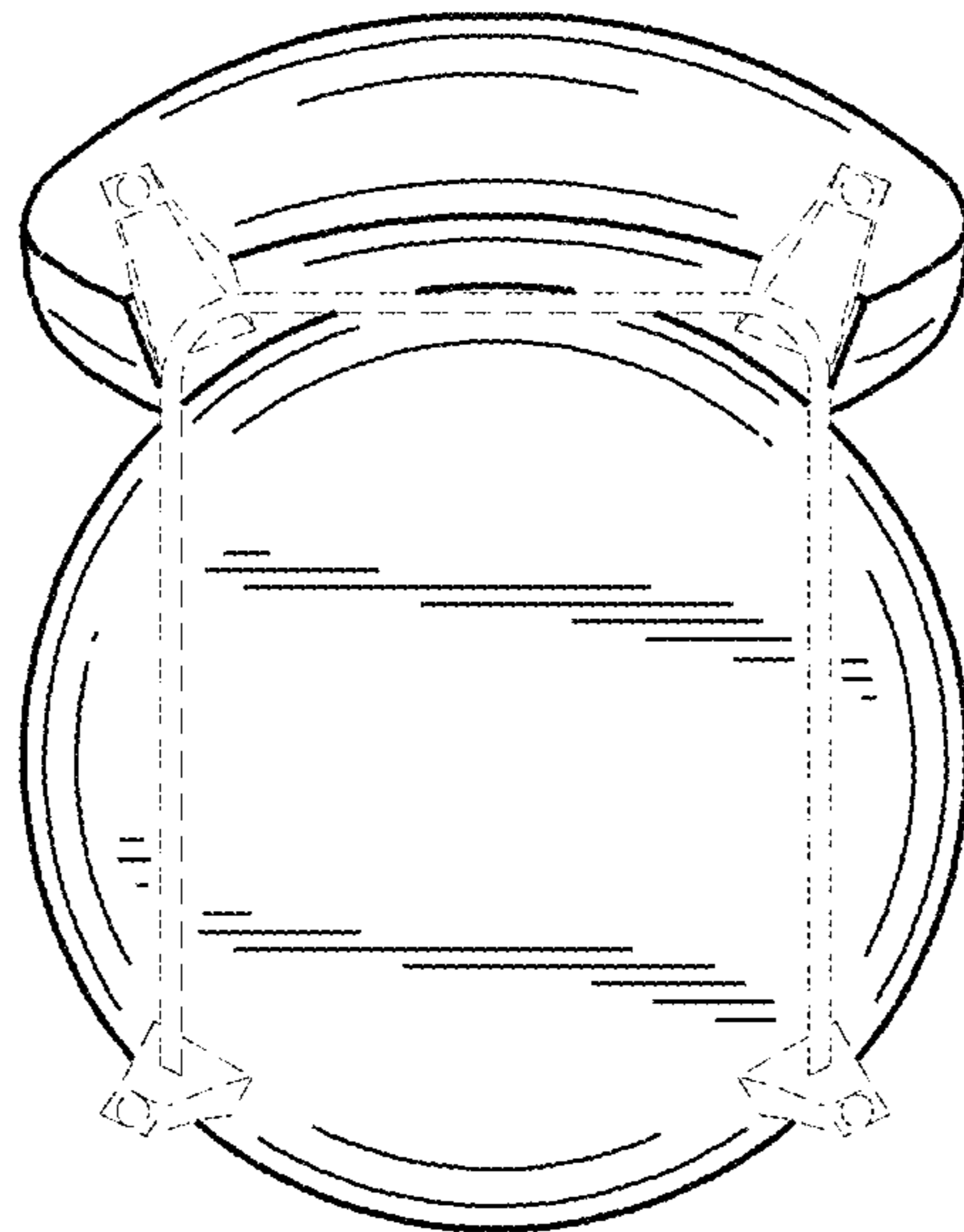


FIG. 7