



US00D781599S

(12) **United States Design Patent** (10) **Patent No.:** **US D781,599 S**
Dobson, III (45) **Date of Patent:** **** Mar. 21, 2017**

(54) **CLEANING BRUSH**
(71) Applicant: **Eben W. Dobson, III**, Solana Beach, CA (US)
(72) Inventor: **Eben W. Dobson, III**, Solana Beach, CA (US)
(73) Assignee: **WISP Industries, Inc.**, San Marcos, CA (US)
(**) Term: **14 Years**

D429,892 S * 8/2000 Wolfenden D32/50
6,336,240 B1 * 1/2002 Laux A47L 13/12
15/104.94
D459,091 S * 6/2002 Cesak D4/199
D513,128 S * 12/2005 Hay D4/132
D515,262 S * 2/2006 Hay D32/41
D548,415 S * 8/2007 Libman D32/41
D564,163 S * 3/2008 Bar-Noy D32/50
D572,014 S * 7/2008 Weis D4/199
D604,919 S * 11/2009 Meyer D32/41
D633,674 S * 3/2011 Franklin D32/40
D636,957 S * 4/2011 Raven D32/41

* cited by examiner

(21) Appl. No.: **29/483,627**
(22) Filed: **Feb. 28, 2014**
(51) **LOC (10) Cl.** **04-01**
(52) **U.S. Cl.**
USPC **D4/199**
(58) **Field of Classification Search**
USPC D4/114, 118, 119, 120, 138, 199; D8/15, D8/16, 19, 62, 90, 101; D24/119, 146, D24/180, 200; D32/40, 41, 44, 46, 50, D32/51, 52, 57
CPC A46B 5/00; A46B 5/0004; A46B 5/0016; A46B 11/00; A46B 11/001; A46B 11/0006; A46B 2200/304; A46B 2200/3006; A46B 2200/3093; A47L 13/10; A47L 13/16; A47L 13/20; A47L 13/24; A47L 13/254
See application file for complete search history.

Primary Examiner — Susan A Krakower
Assistant Examiner — Lisa A Grabenstetter
(74) *Attorney, Agent, or Firm* — San Diego IP Law Group LLP; Trevoe Coddington

(57) **CLAIM**

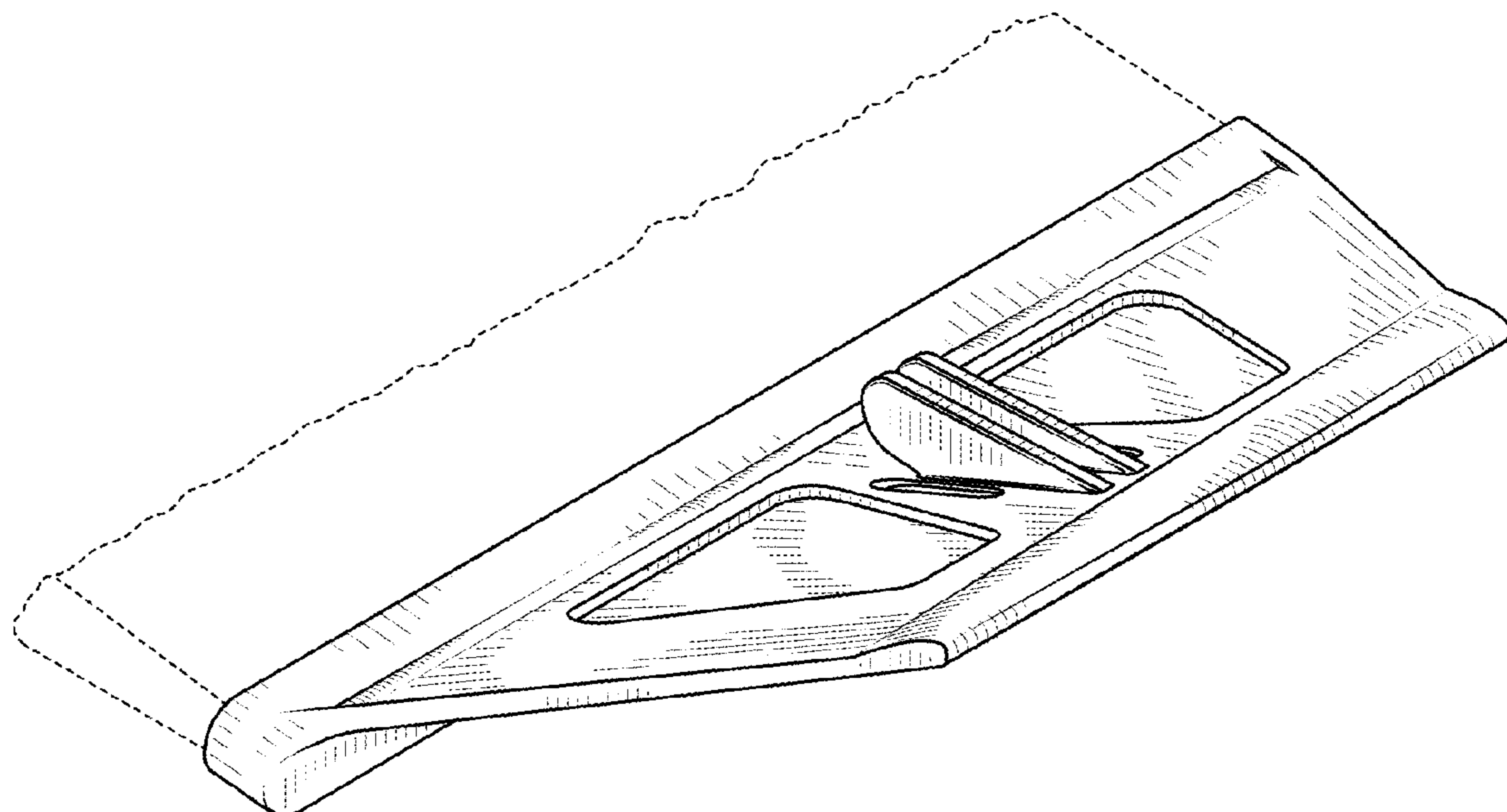
The ornamental design for a cleaning brush, as shown and described.

DESCRIPTION

FIG. 1 is a perspective view of a cleaning brush showing my new design;
FIG. 2 is a front perspective thereof;
FIG. 3 is a rear perspective view thereof;
FIG. 4 is a side view thereof;
FIG. 5 is a top plan view thereof; and,
FIG. 6 is a bottom plan view thereof.
The broken lines depicting bristles represent environmental subject matter than forms no part of the claimed design.

(56) **References Cited**
U.S. PATENT DOCUMENTS
D343,562 S * 1/1994 Wilson D8/62
D376,911 S * 12/1996 Zigelboim D4/122

1 Claim, 4 Drawing Sheets



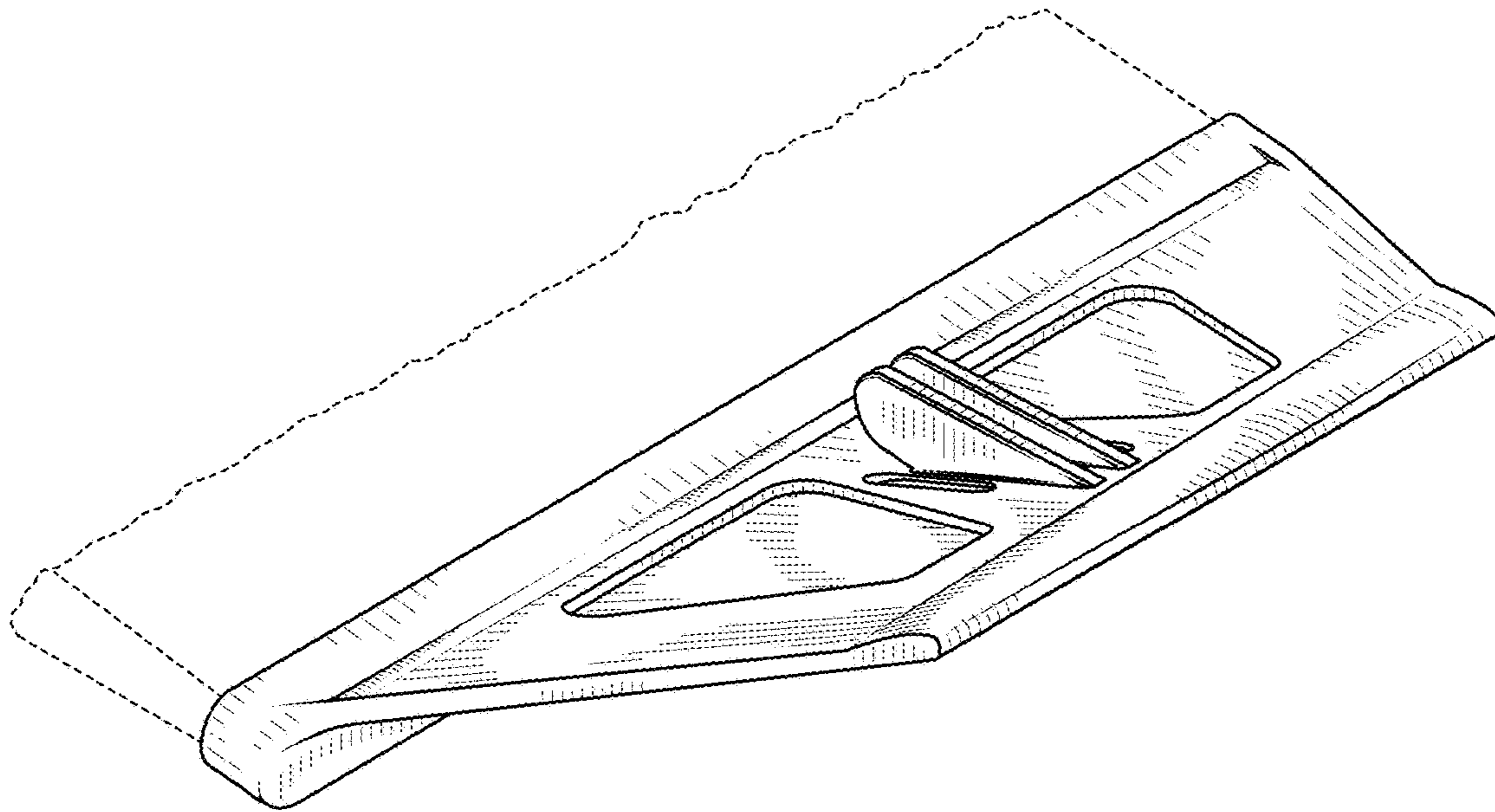


FIG. 1

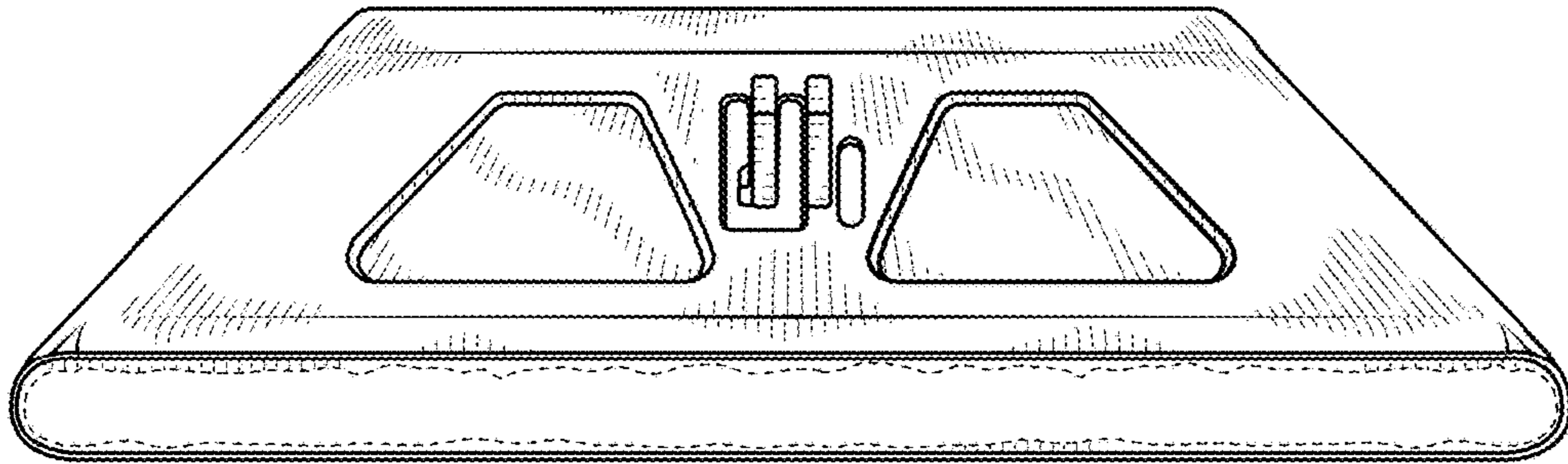


FIG. 2

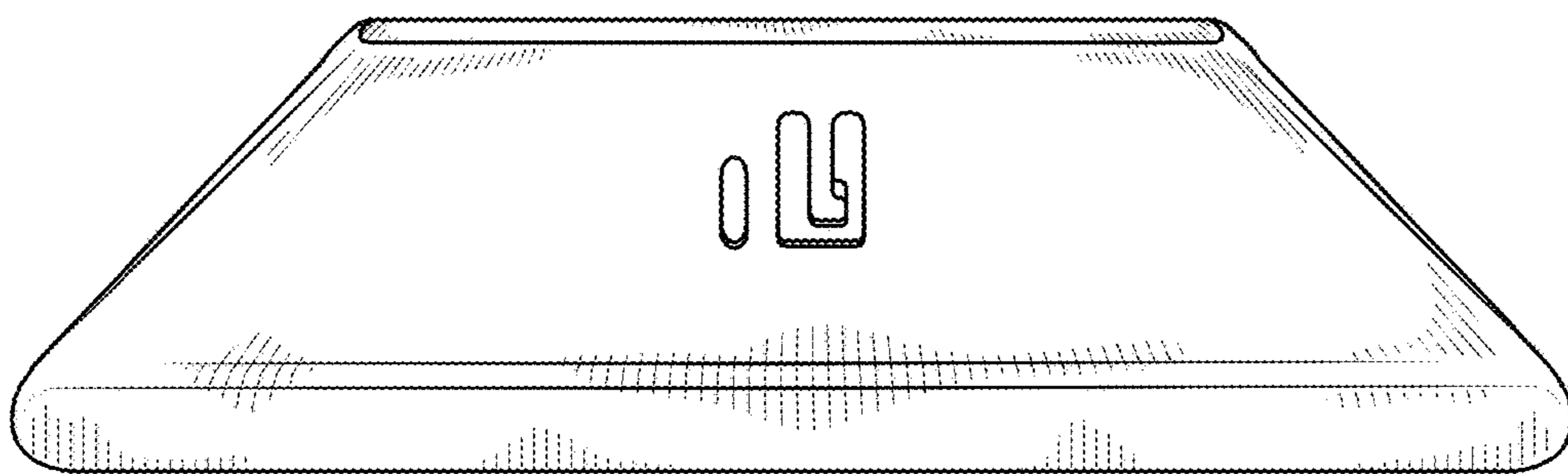


FIG. 3

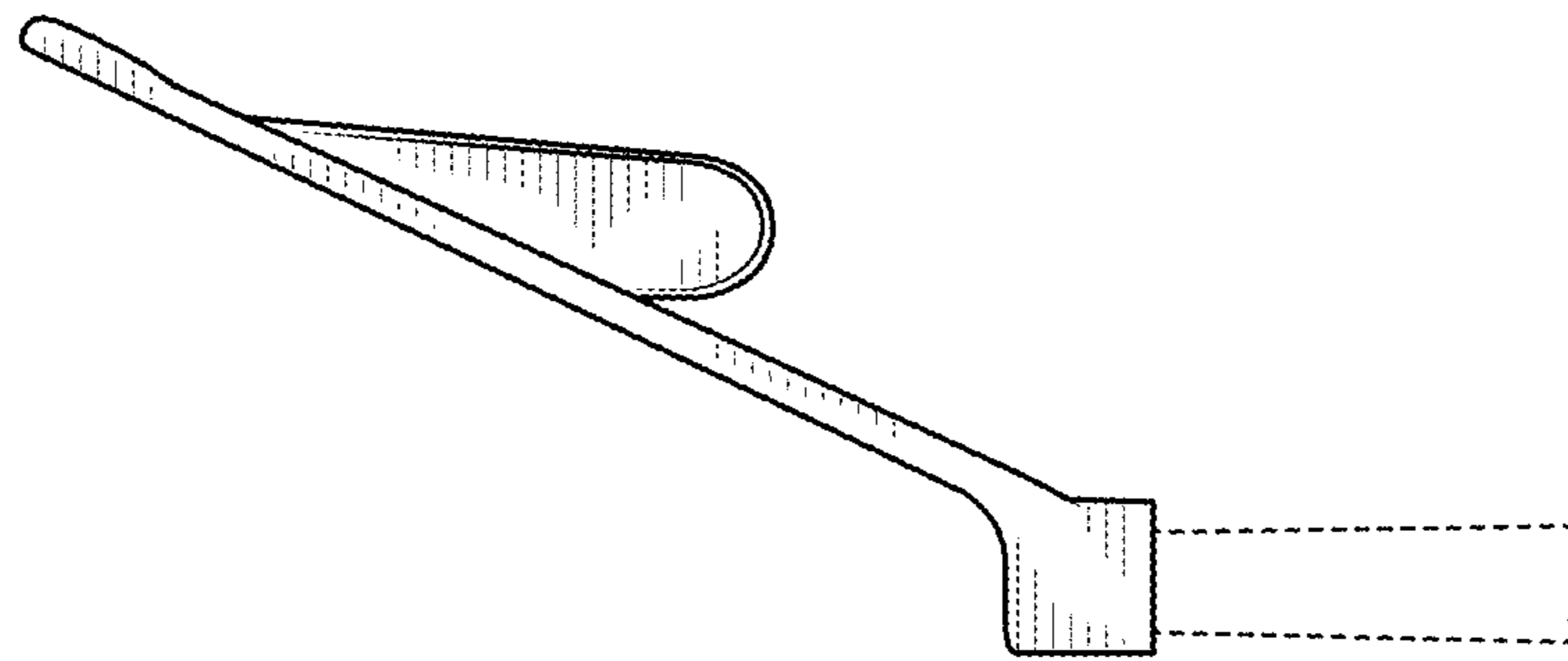


FIG. 4

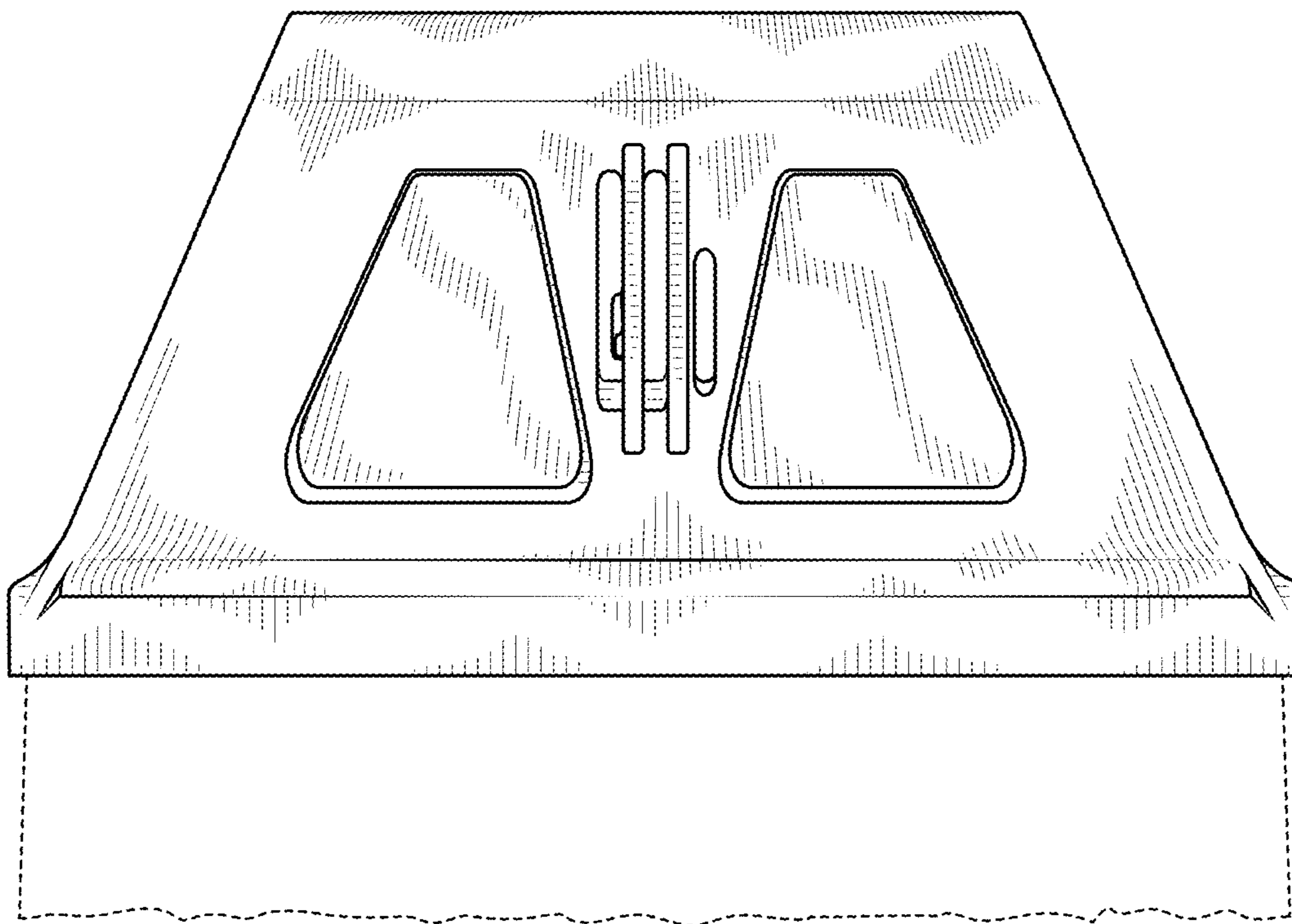


FIG. 5

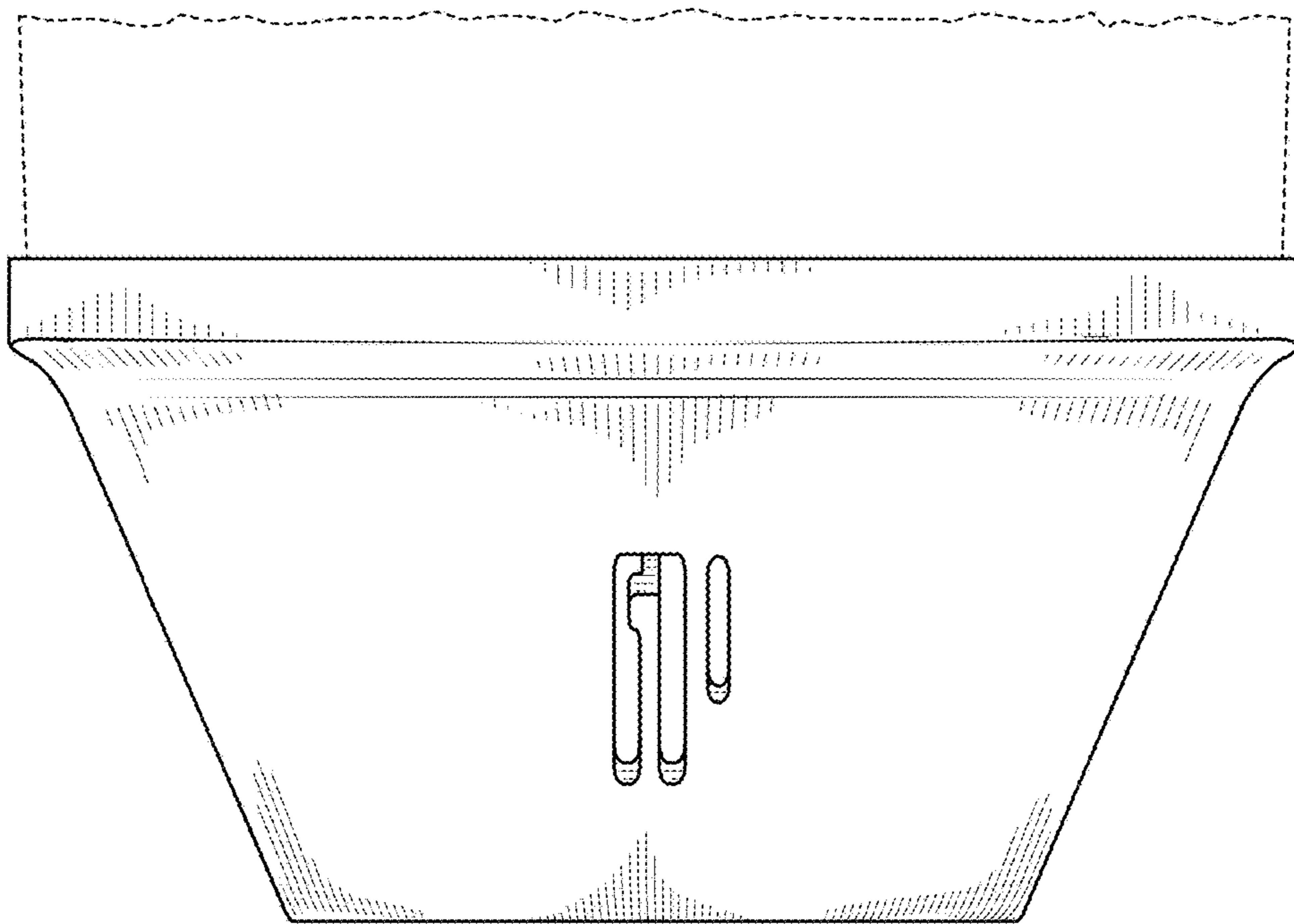


FIG. 6