



US00D781588S

(12) **United States Design Patent**
Lee

(10) **Patent No.:** **US D781,588 S**
(45) **Date of Patent:** **** Mar. 21, 2017**

- (54) **CLEANSING APPARATUS**
- (71) Applicant: **Sentronix Co., Ltd.**, Gyeonggi-do (KR)
- (72) Inventor: **Jeongmin Lee**, Gyeonggi-do (KR)
- (73) Assignee: **Sentronix Co., Ltd.**, Gyeonggi-do (KR)
- (**) Term: **15 Years**
- (21) Appl. No.: **29/535,767**
- (22) Filed: **Aug. 10, 2015**

7,306,569	B2 *	12/2007	LaJoie	A45D 33/005	601/17
D601,803	S *	10/2009	Reishus	D4/102	
D683,139	S *	5/2013	Chikos	D4/102	
D713,150	S *	9/2014	Maurin	D4/102	
D715,554	S *	10/2014	Hosler	D4/102	
D715,555	S *	10/2014	Hosler	D4/102	
D728,241	S *	5/2015	Helmbold	D4/102	
D728,242	S *	5/2015	Kim	D4/102	
D736,462	S *	8/2015	Hendler	D24/112	
D742,647	S *	11/2015	Hosler	D4/102	
D749,325	S *	2/2016	Middendorp	D4/102	
D753,400	S *	4/2016	Khoun	D4/102	
D760,498	S *	7/2016	Kim	D4/102	

- (30) **Foreign Application Priority Data**
- Jun. 3, 2015 (KR) 30-2015-0027971
- (51) **LOC (10) Cl.** **04-02**
- (52) **U.S. Cl.**
- USPC **D4/102; D4/127**
- (58) **Field of Classification Search**
- USPC D4/100, 102, 127, 132, 134, 136, 138;
D24/146, 200, 215, 214; D28/58, 63
- CPC .. A46B 3/00; A46B 3/005; A46B 3/22; A46B
5/0095; A46B 7/00; A46B 7/04; A46B
7/042; A46B 7/06; A46B 7/08; A46B
9/00; A46B 9/005; A46B 9/02; A46B
13/00; A46B 13/008; A46B 13/02; A46B
13/023
- See application file for complete search history.

* cited by examiner

Primary Examiner — Michael A. Pratt
Assistant Examiner — Michelle E Wilson
 (74) *Attorney, Agent, or Firm* — Grossman Tucker
 Perreault & Pflieger, PLLC

- (56) **References Cited**
- U.S. PATENT DOCUMENTS
- D245,883 S * 9/1977 Tsuji D4/102
- D549,964 S * 9/2007 Roth D4/102

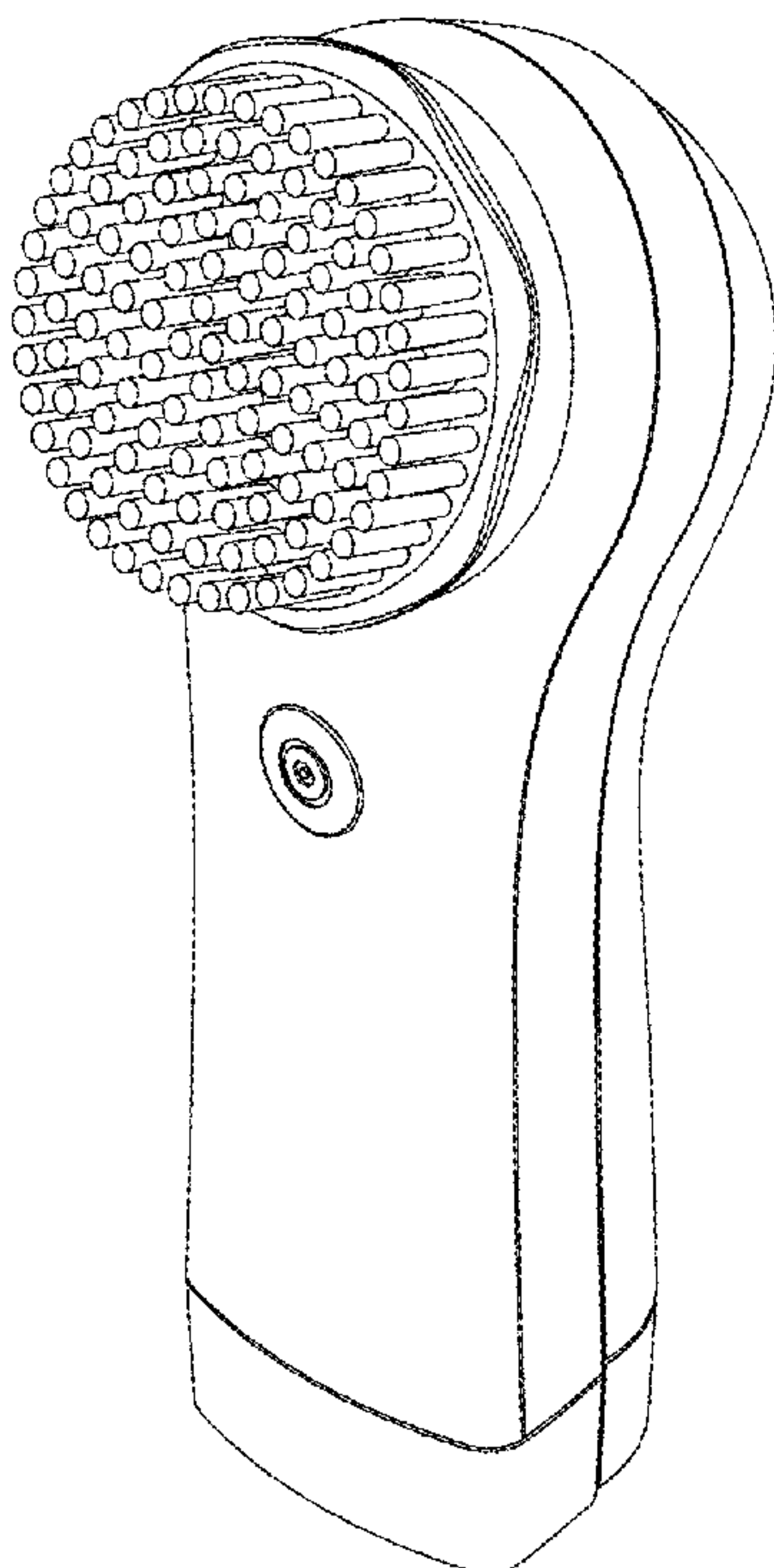
(57) **CLAIM**

The ornamental design for the cleansing apparatus, as shown and described.

DESCRIPTION

FIG. 1 is a front perspective view of a cleansing apparatus.
 FIG. 2 is a front view thereof.
 FIG. 3 is a rear view thereof.
 FIG. 4 is a left side view thereof.
 FIG. 5 is a right side view thereof.
 FIG. 6 is a top plan view thereof; and,
 FIG. 7 is a bottom plan view thereof.

1 Claim, 6 Drawing Sheets



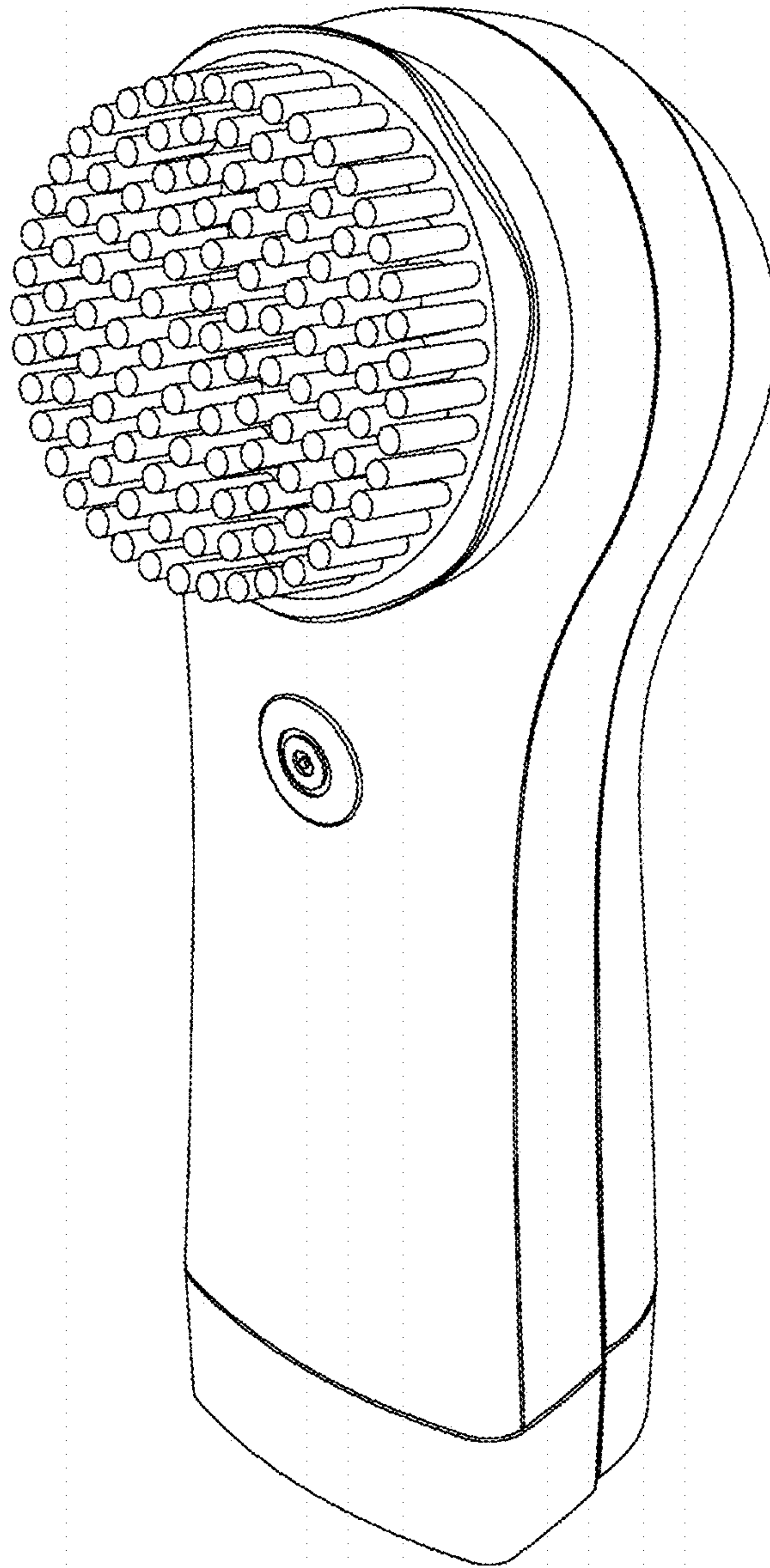


FIG. 1

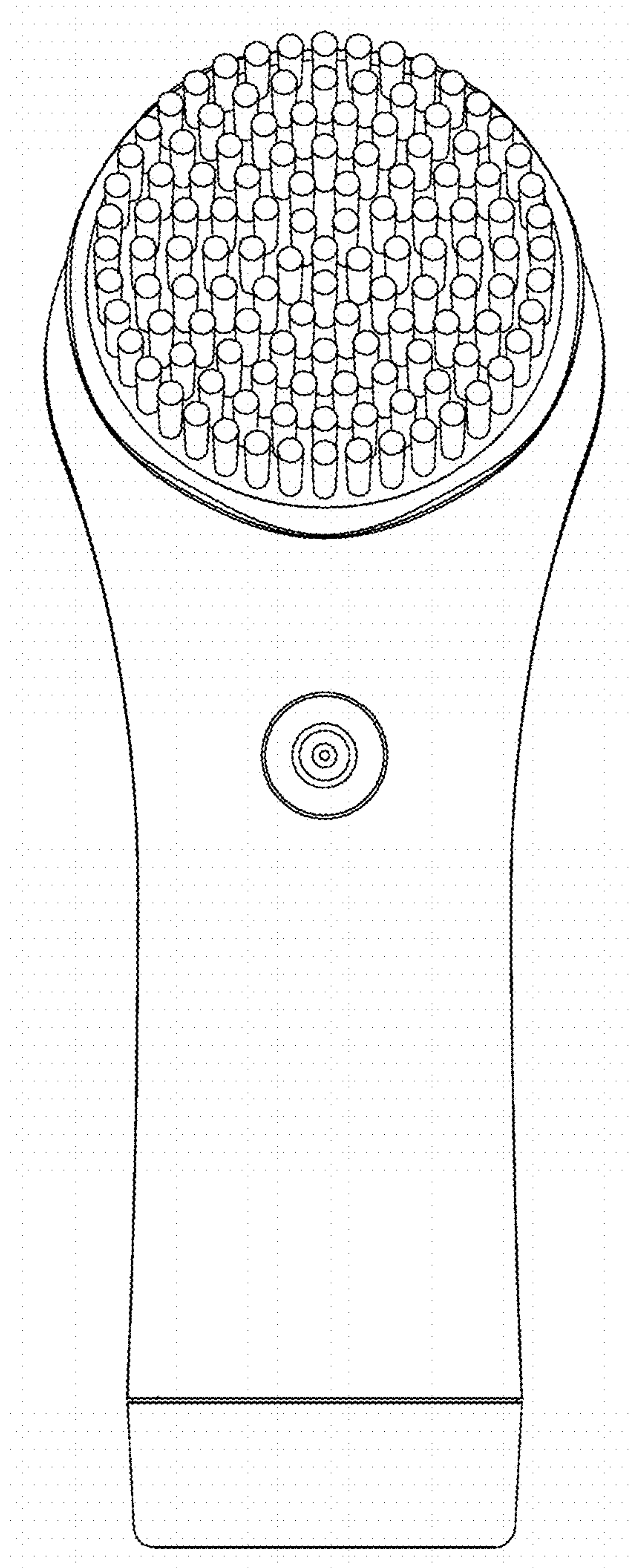


FIG. 2

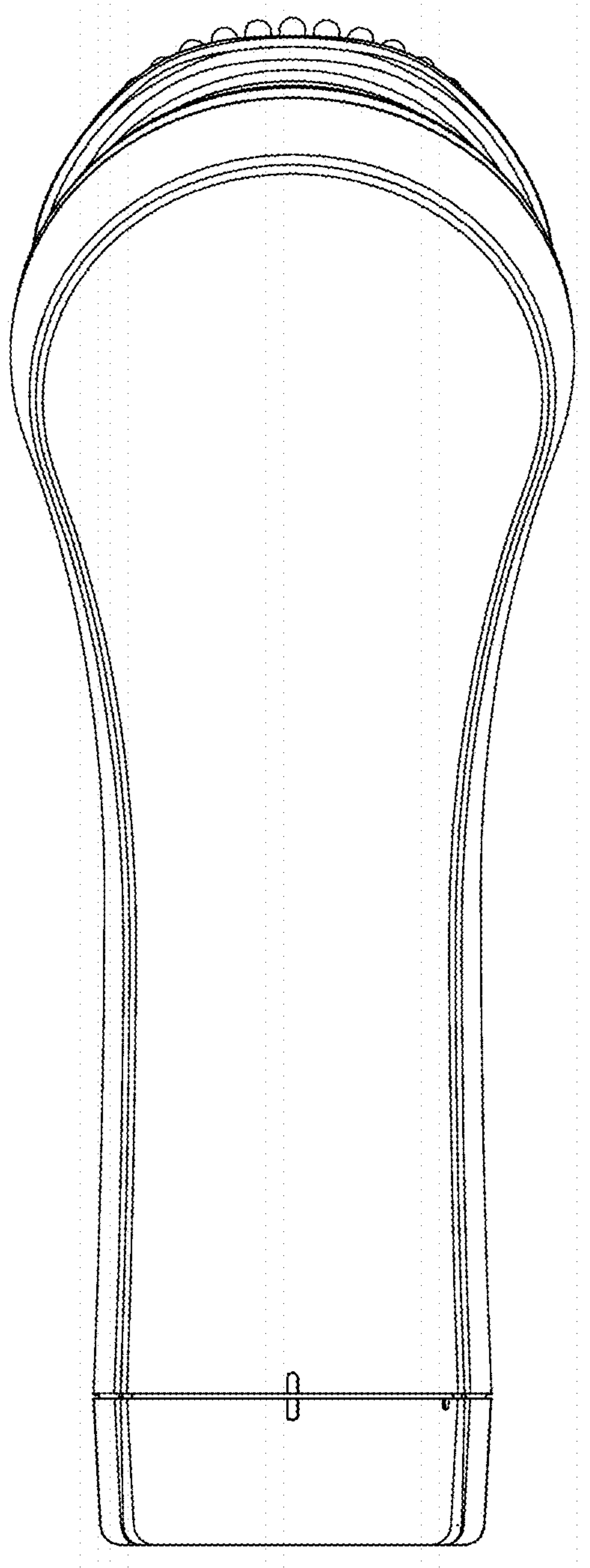


FIG. 3

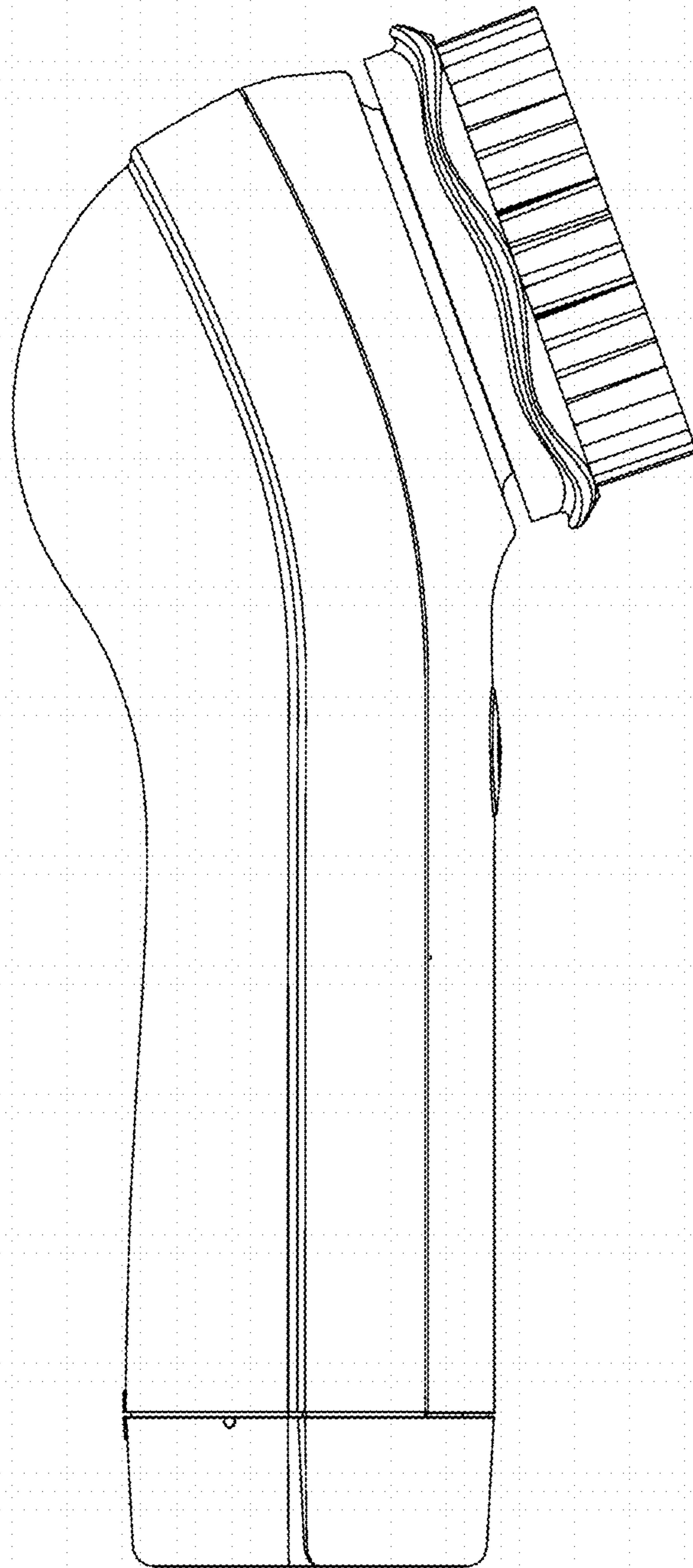


FIG. 4

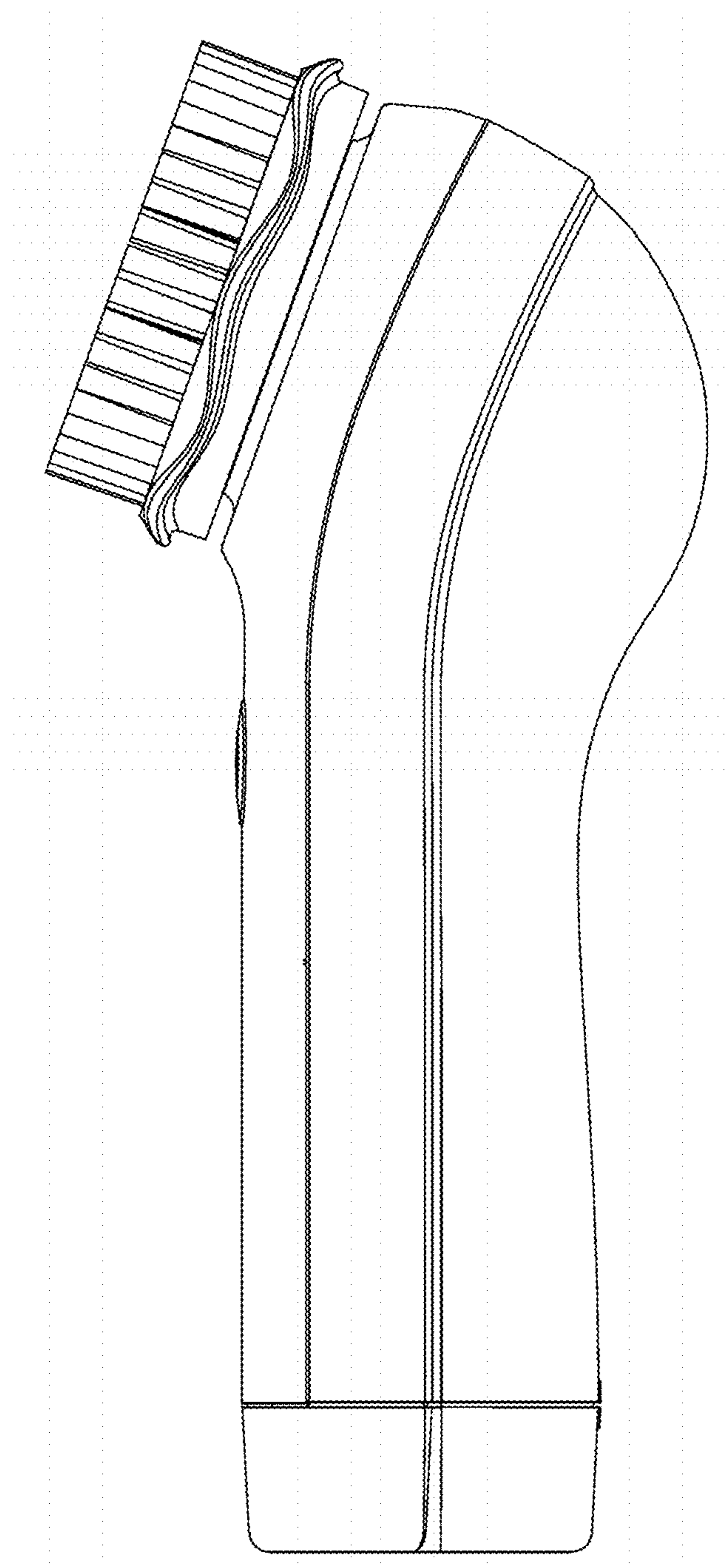


FIG. 5

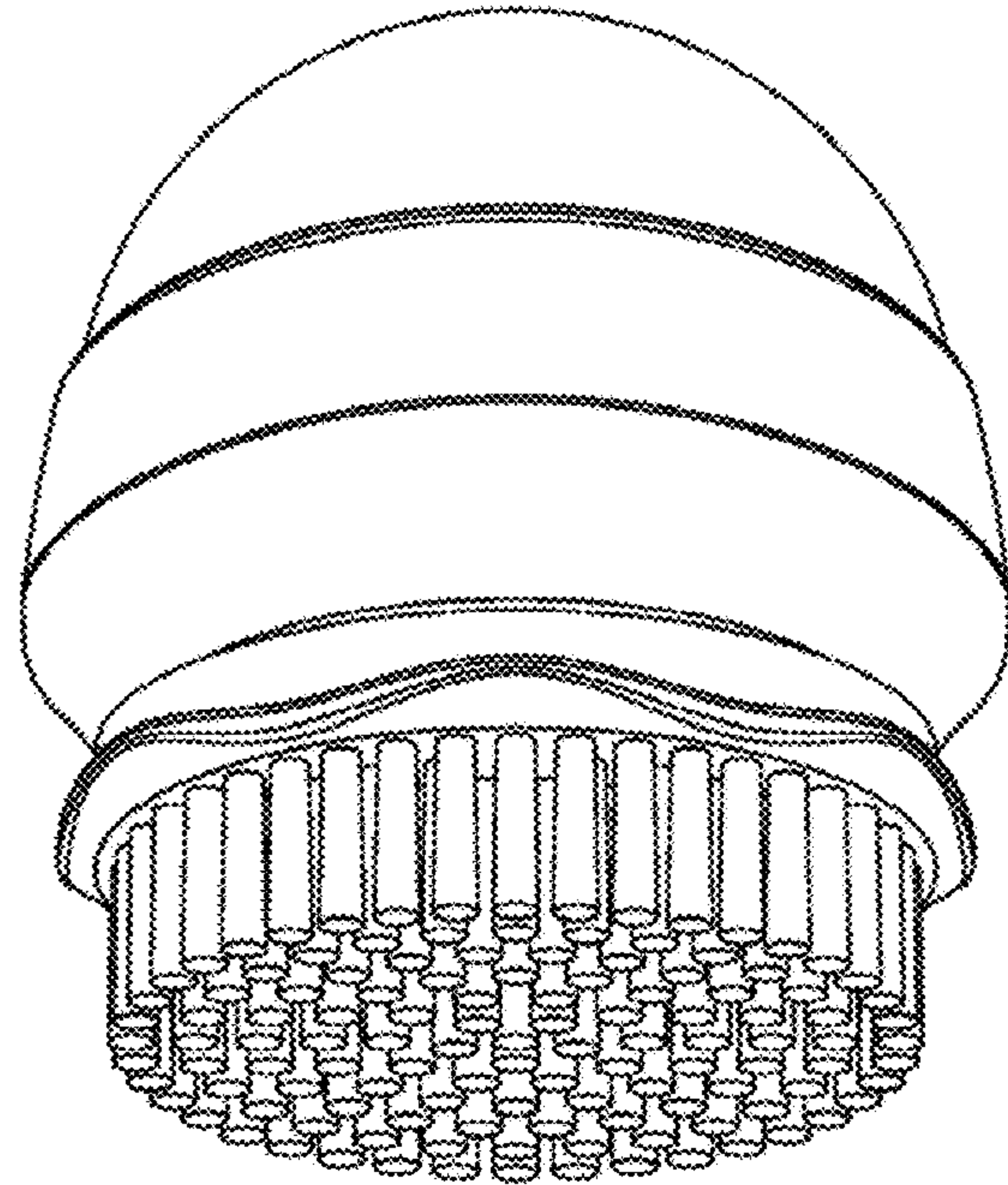


FIG. 6

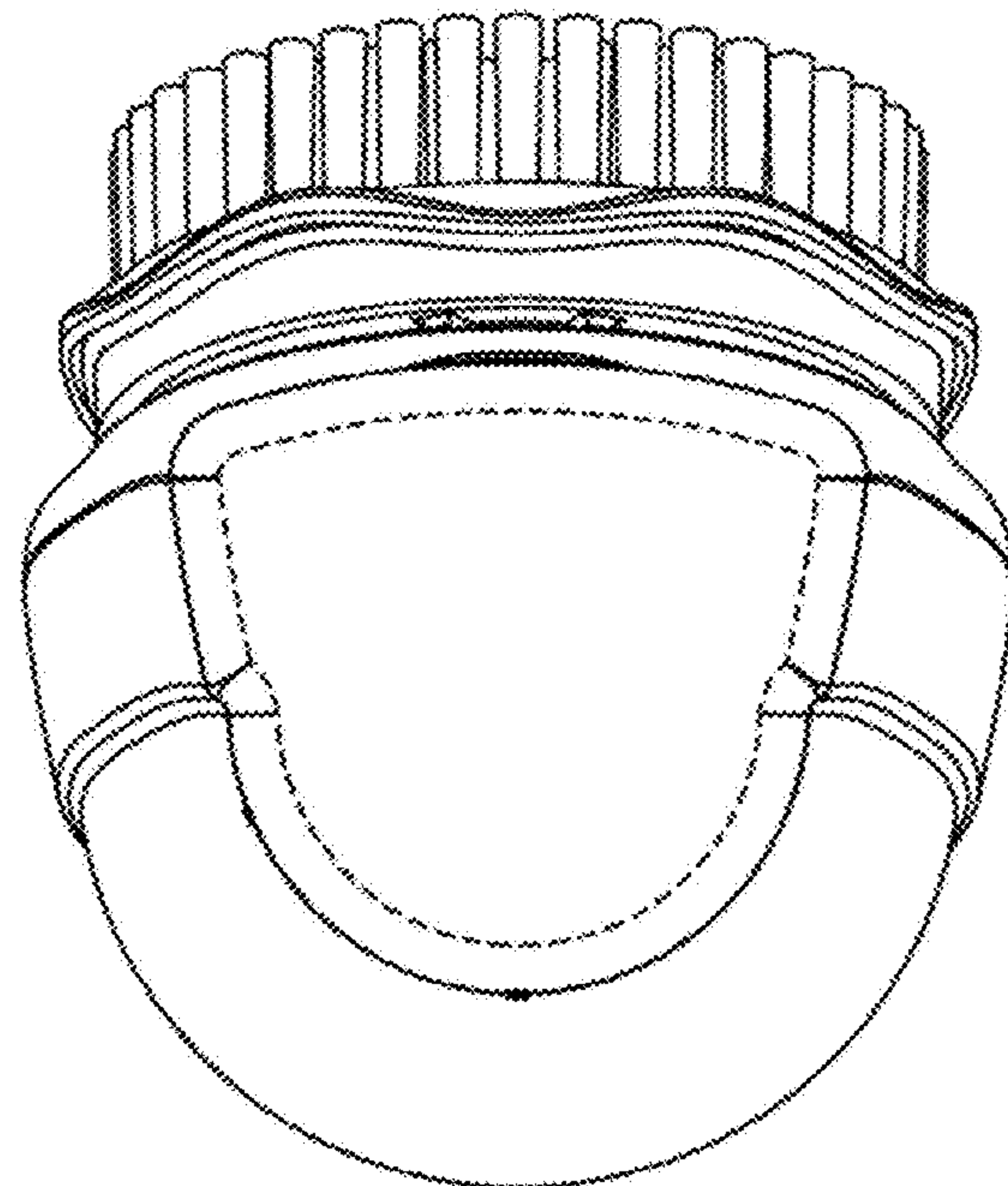


FIG. 7