



US00D781587S

(12) **United States Design Patent**
Mangano et al.

(10) **Patent No.:** **US D781,587 S**
(45) **Date of Patent:** **** Mar. 21, 2017**

(54) **LUGGAGE WHEEL ASSEMBLY**

(71) Applicant: **INGENIOUS DESIGNS LLC**,
Ronkonkoma, NY (US)

(72) Inventors: **Joy Mangano**, St. James, NY (US);
Michael Morgan Starkey, Charlotte,
NC (US); **Thomas James Philpott**,
Fort Mill, SC (US)

(73) Assignee: **INGENIOUS DESIGNS LLC**,
Ronkonkoma, NY (US)

(**) Term: **15 Years**

(21) Appl. No.: **29/571,848**

(22) Filed: **Jul. 22, 2016**

Related U.S. Application Data

(62) Division of application No. 29/509,504, filed on Nov.
18, 2014, now Pat. No. Des. 765,404.

(51) **LOC (10) Cl.** **03-01**

(52) **U.S. Cl.**
USPC **D3/318**

(58) **Field of Classification Search**
USPC D3/318, 271.12, 272, 273, 279, 378;
D24/211; 492/14, 36; 105/170, 154, 155,
105/72.2, 96
CPC Y10T 16/00; Y10T 16/18; Y10T 16/182;
Y10T 16/184; Y10T 16/1873; Y10T
16/1877; Y10T 16/1891; A45C 5/14;
A45C 5/141; A45C 2005/142; A45C
2005/148; A45C 2009/005; A45C 13/385
See application file for complete search history.

(56) **References Cited**

U.S. PATENT DOCUMENTS

D127,686 S * 6/1941 Milton D24/211
2,544,924 A * 3/1951 Herold B60B 33/0028
104/306

D181,186 S * 10/1957 Conrad D24/211
D202,534 S * 10/1965 McNair D21/662
4,807,339 A * 2/1989 Hayashi B05C 1/10
492/24
4,945,900 A * 8/1990 Masuda A61H 15/0092
601/120
D375,202 S * 11/1996 Vermillion D3/318

(Continued)

Primary Examiner — Rosemary K Tarcza

Assistant Examiner — Christy Nemeth

(74) *Attorney, Agent, or Firm* — Andrews Kurth Kenyon
LLP

(57) **CLAIM**

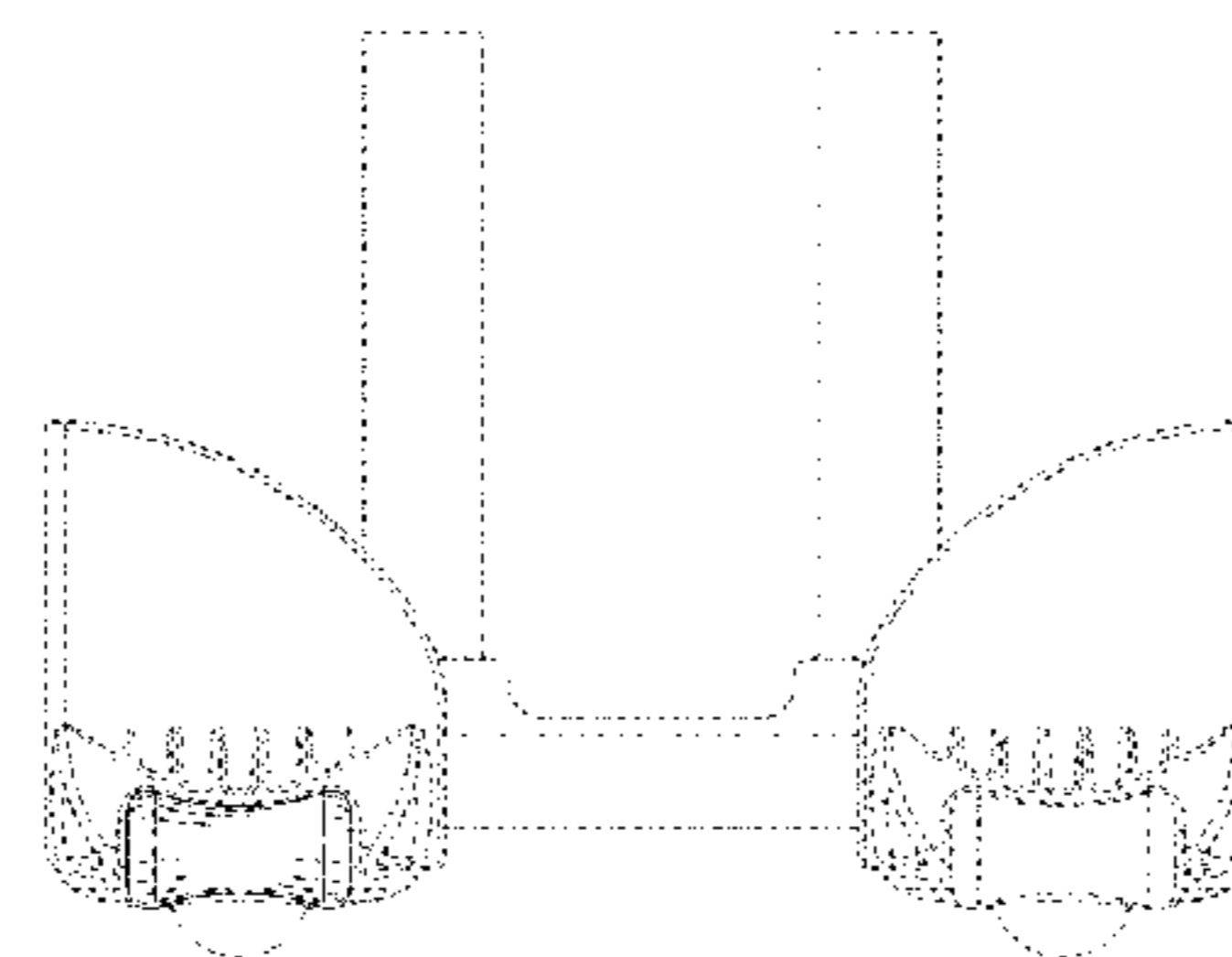
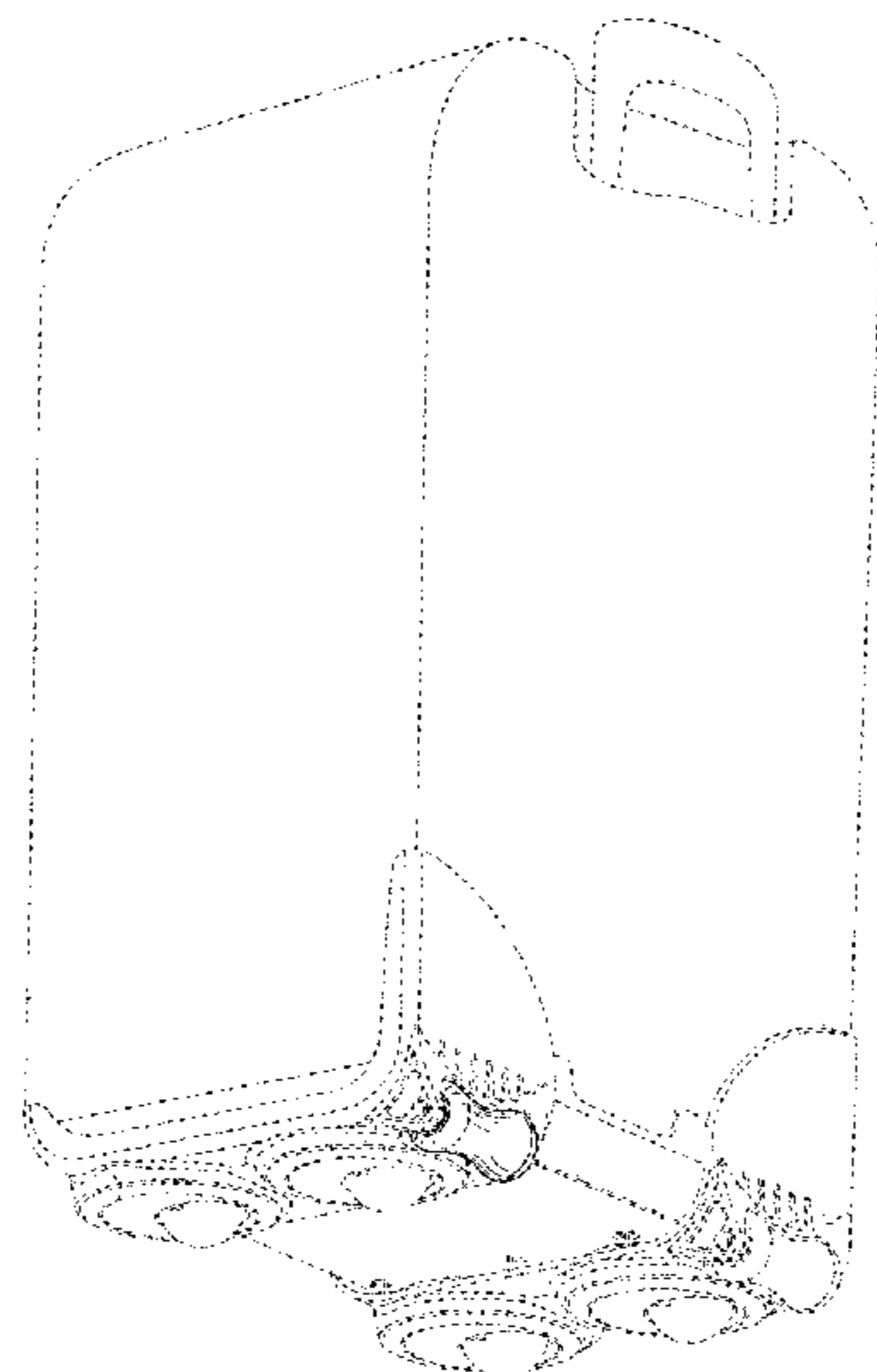
The ornamental design for a luggage wheel assembly, as
shown and described.

DESCRIPTION

FIG. 1 is a back left perspective view of a luggage wheel
assembly of our new design;
FIG. 2 is a second back left perspective view of the luggage
wheel assembly;
FIG. 3 is a rear view of the luggage wheel assembly of FIG.
2;
FIG. 4 is a front view of the luggage wheel assembly of FIG.
2;
FIG. 5 is a right side view of the luggage wheel assembly of
FIG. 2;
FIG. 6 is a left side view of the luggage wheel assembly of
FIG. 2;
FIG. 7 is a top view of the luggage wheel assembly of FIG.
2; and,
FIG. 8 is a bottom view of the luggage wheel assembly of
FIG. 2.

The broken lines in the drawings illustrate environmental
subject matter that forms no part of the claimed design.

1 Claim, 5 Drawing Sheets



(56)

References Cited

U.S. PATENT DOCUMENTS

5,683,097 A * 11/1997 Fenton A45C 5/14
280/47.26
D676,975 S * 2/2013 Bickford D24/211
D677,391 S * 3/2013 Bickford D24/211
D677,392 S * 3/2013 Bickford D24/211
D678,540 S * 3/2013 Bickford D24/211
D678,541 S * 3/2013 Bickford D24/211
D678,542 S * 3/2013 Bickford D24/211
D700,709 S * 3/2014 Khodabakhshian D24/211
8,840,533 B2 * 9/2014 Prushinskiy G02F 1/1303
15/230
2004/0154889 A1 * 8/2004 Gifford A45C 5/14
190/18 A
2005/0284510 A1 * 12/2005 Rau A45F 4/04
135/96
2008/0276417 A1 * 11/2008 Frame A47C 19/024
16/45
2013/0048011 A1 * 2/2013 Bickford A45D 34/041
132/320

* cited by examiner

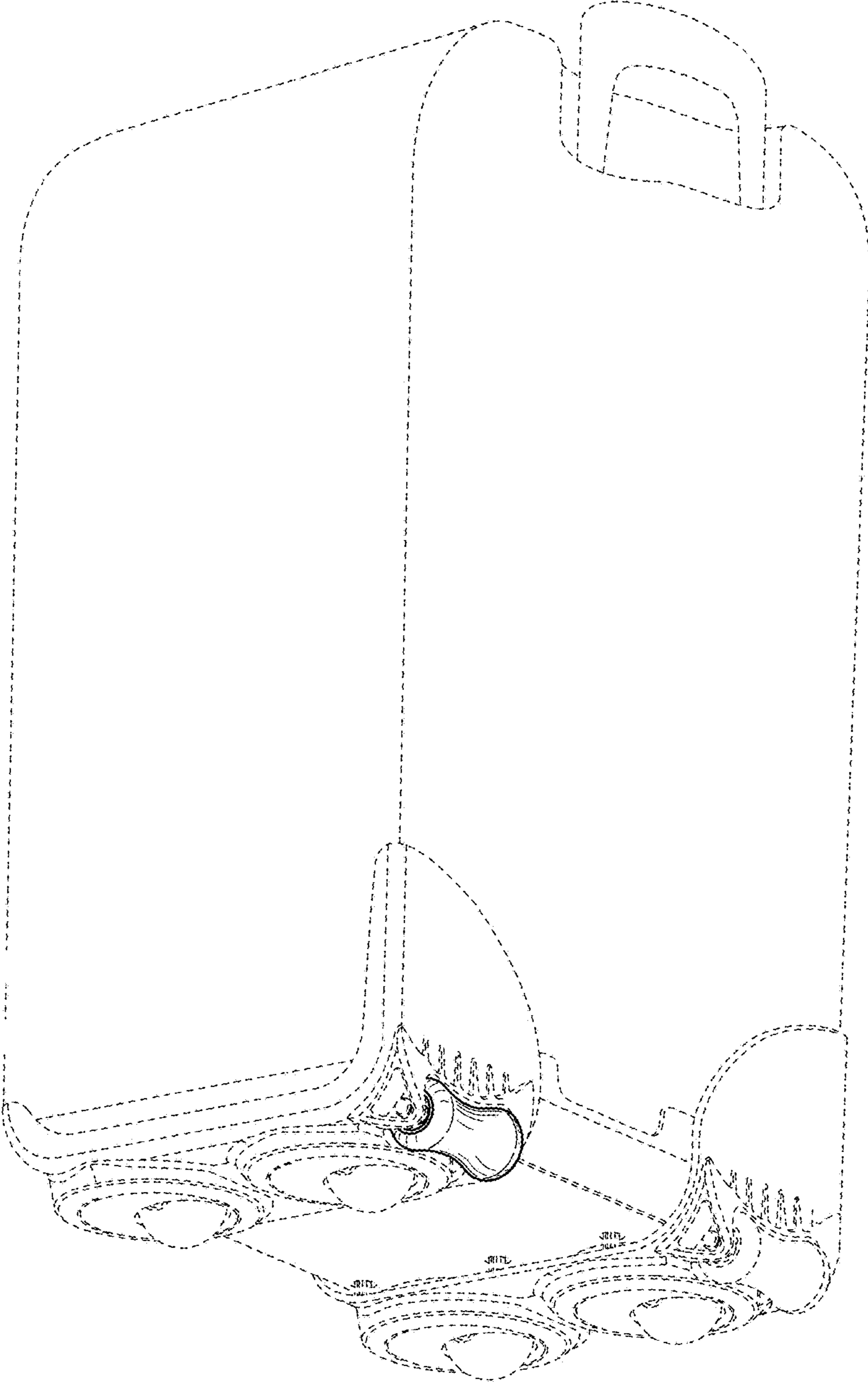


FIG. 1

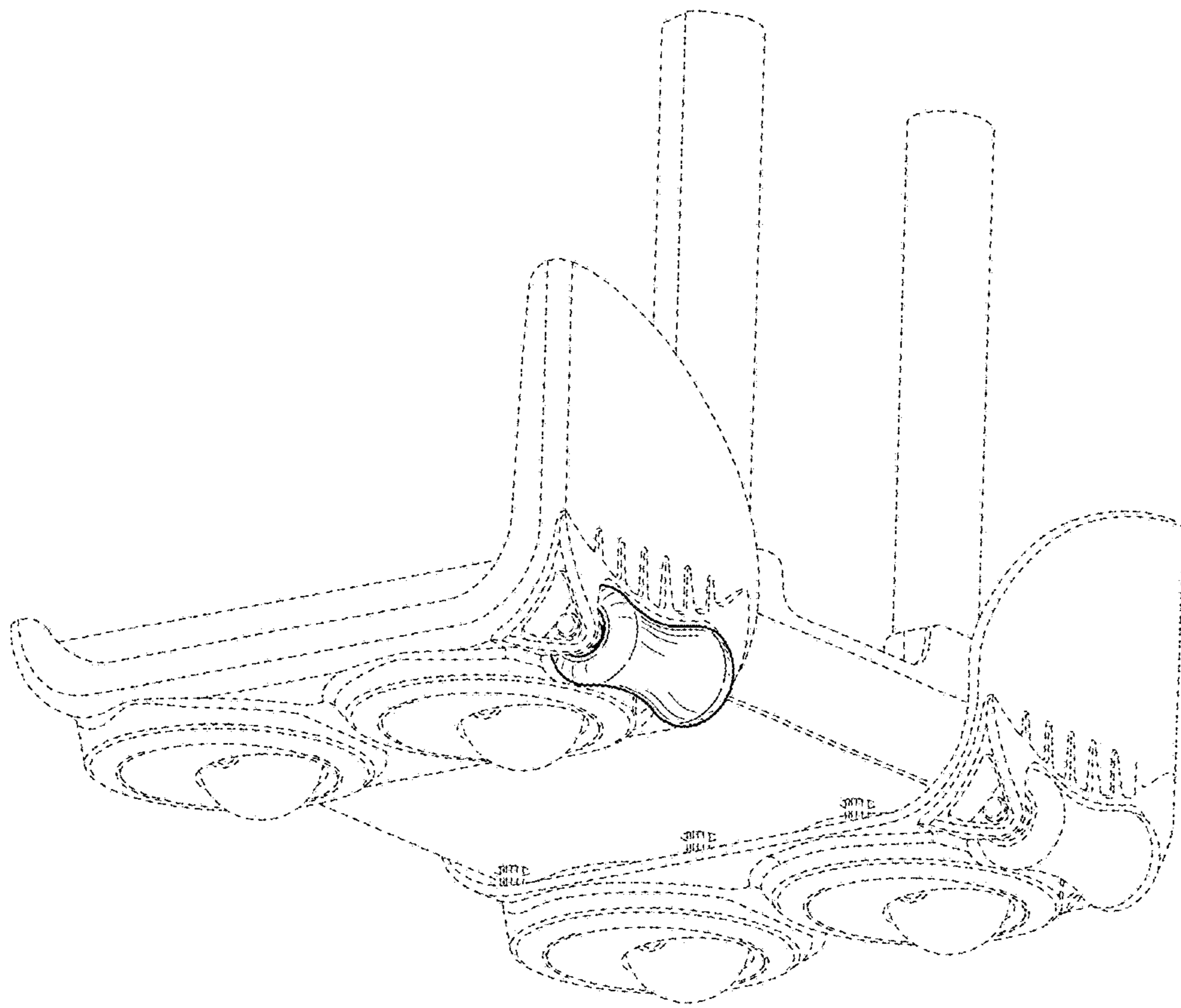


FIG. 2

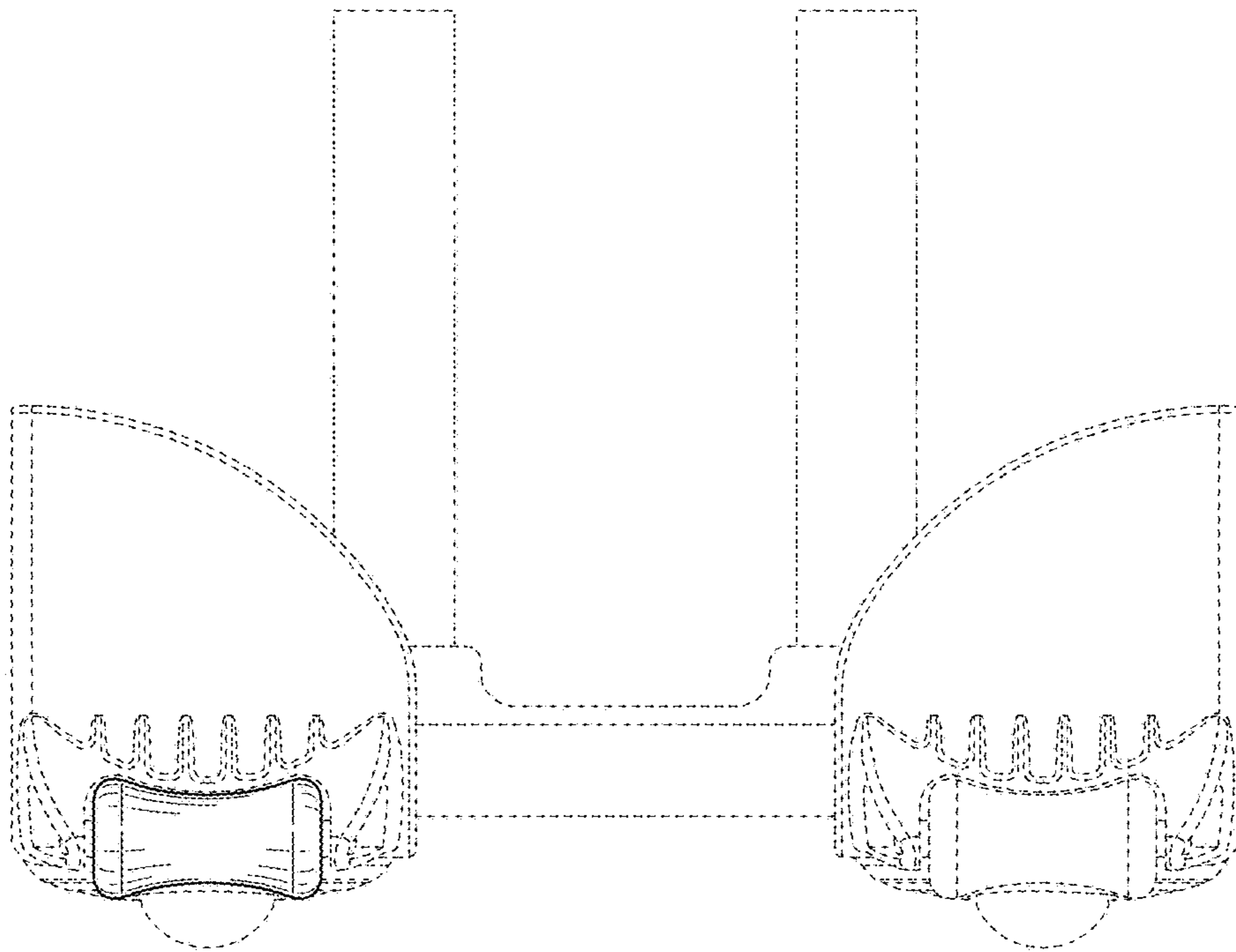


FIG. 3

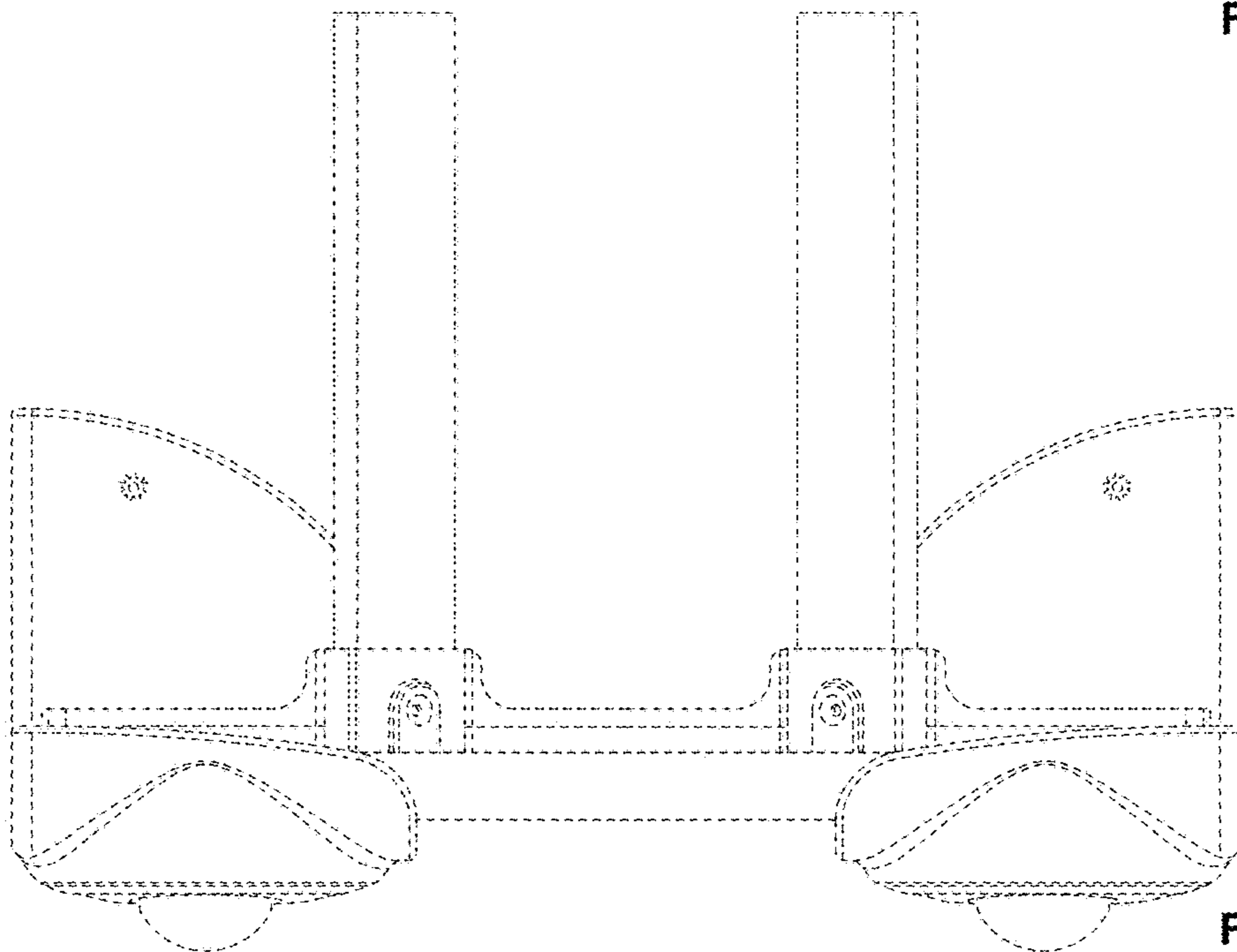


FIG. 4

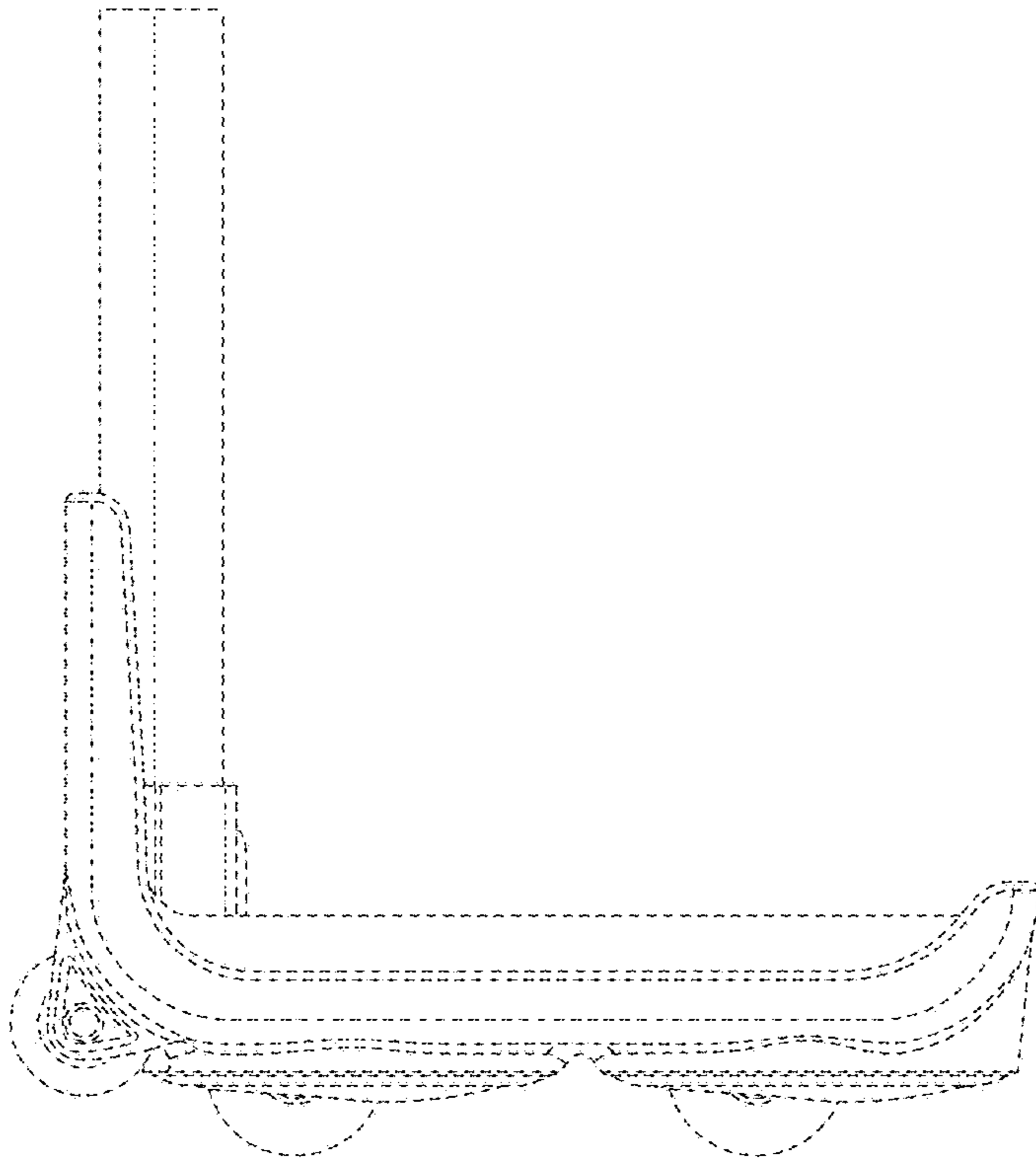


FIG. 5

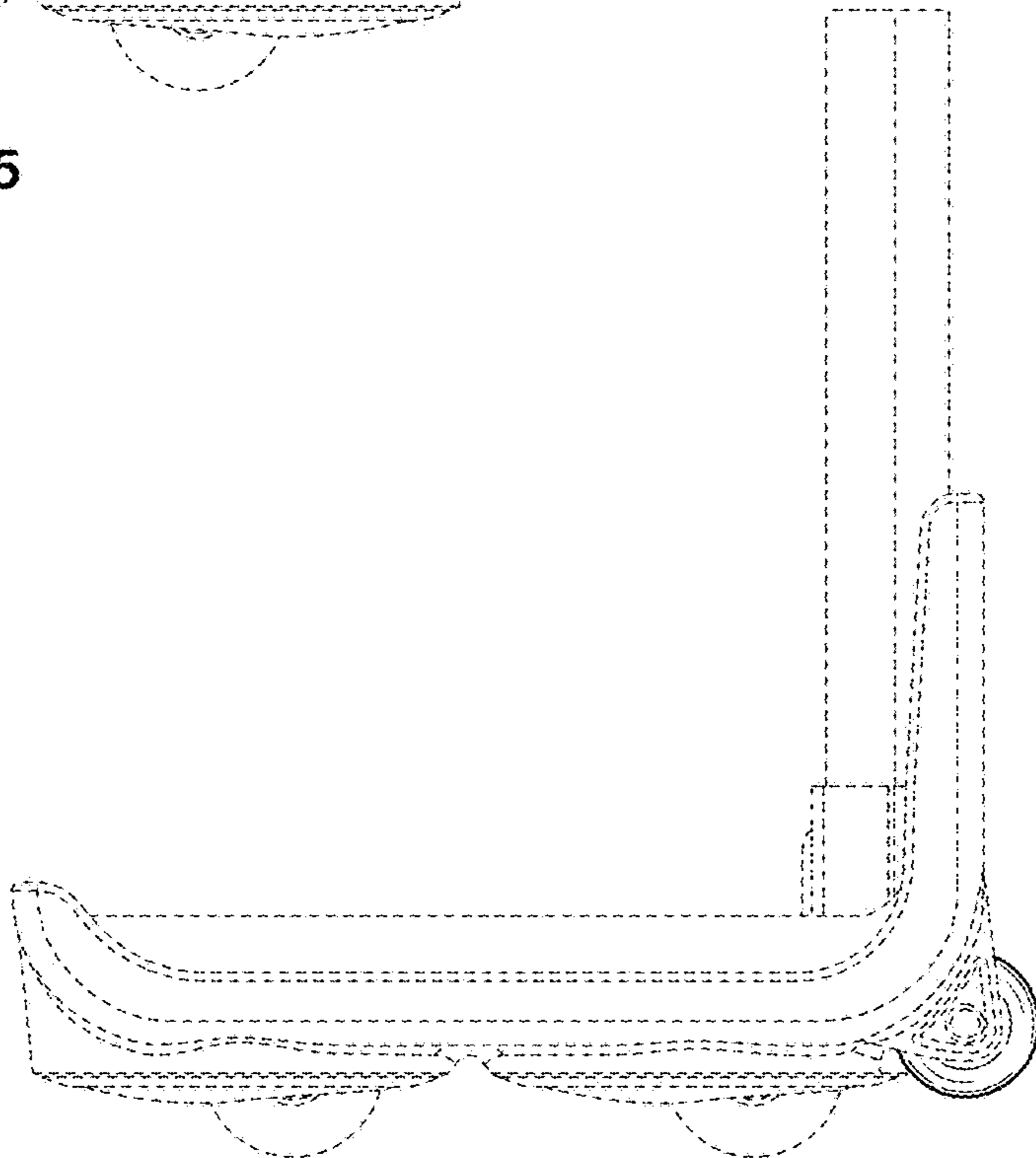


FIG. 6

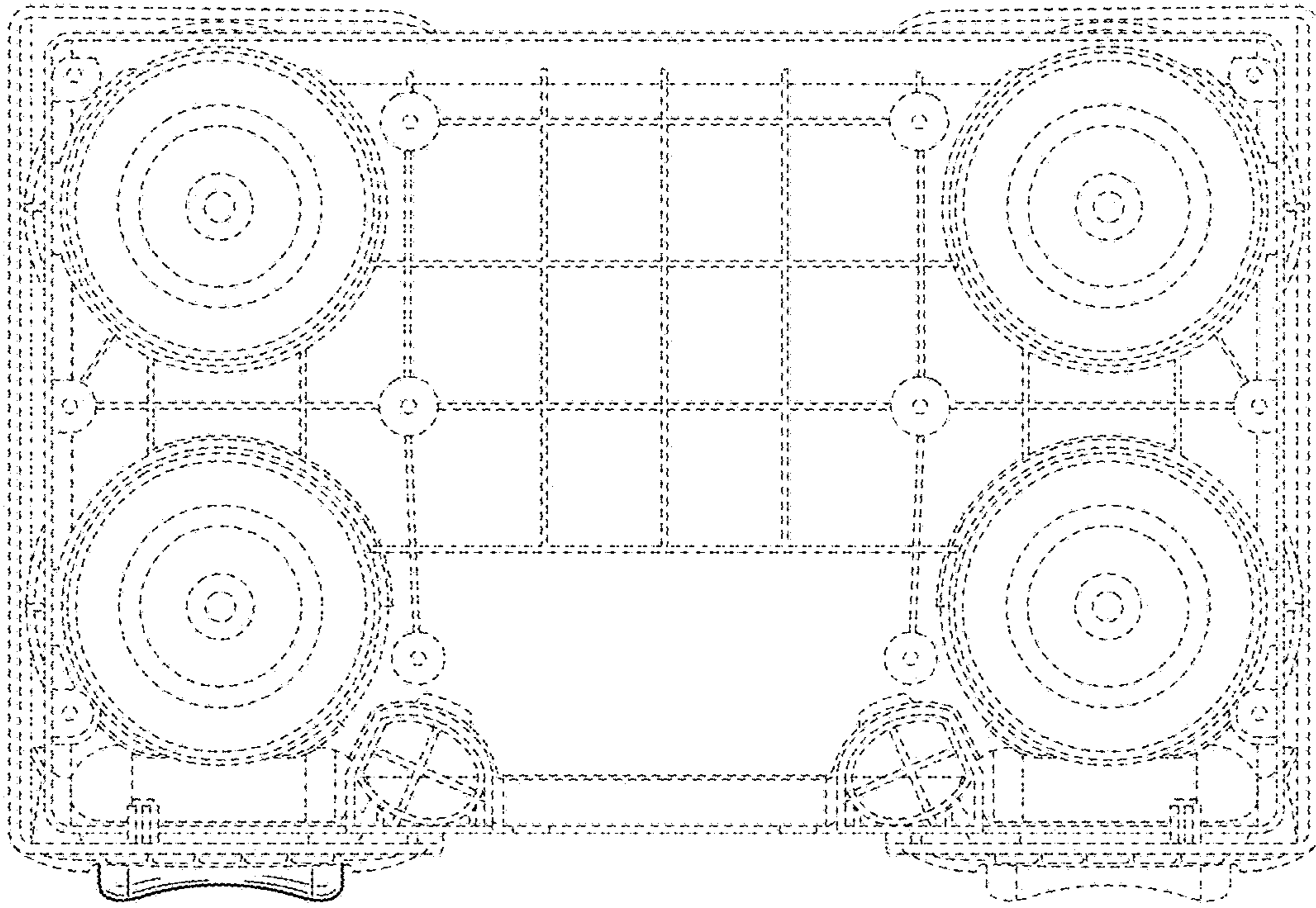


FIG. 7

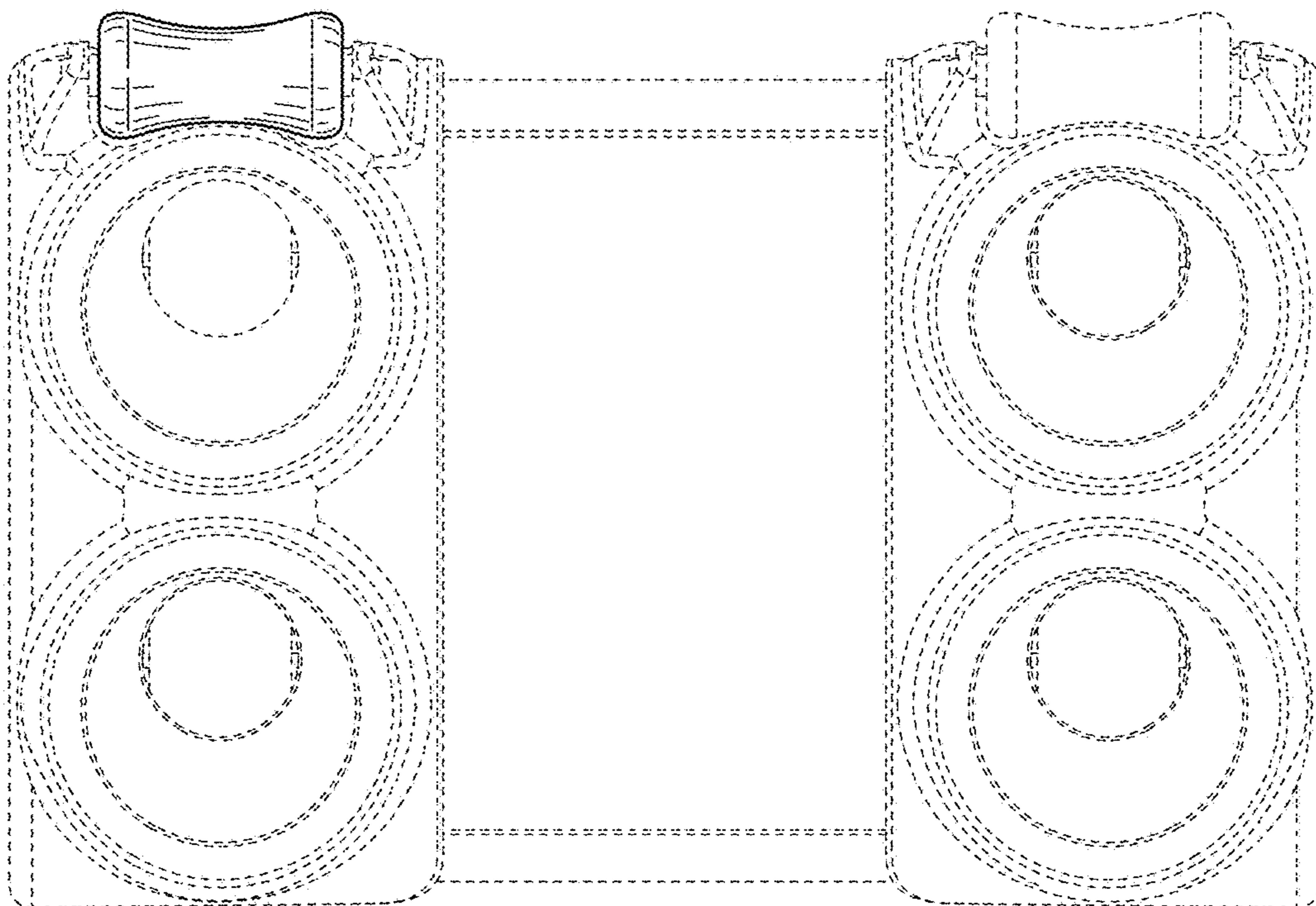


FIG. 8