



US00D781584S

(12) **United States Design Patent**  
**Kinskey**

(10) **Patent No.:** **US D781,584 S**

(45) **Date of Patent:** **\*\* Mar. 21, 2017**

(54) **PARTS STORAGE CONTAINER**

(71) Applicant: **LF Centennial Ltd.**, Road Town,  
Tortola (VG)

(72) Inventor: **Terrence P. Kinskey**, Alpharetta, GA  
(US)

(73) Assignee: **L.F. CENTENNIAL LTD.**, Road  
Town, Tortola (VG)

(\*\*) Term: **14 Years**

(21) Appl. No.: **29/504,312**

(22) Filed: **Oct. 3, 2014**

(51) **LOC (10) Cl.** ..... **03-01**

(52) **U.S. Cl.**  
USPC ..... **D3/294**

(58) **Field of Classification Search**  
USPC ..... D3/273, 274, 275, 276, 281, 284, 292,  
D3/294, 295, 296, 297, 299, 905, 901,  
(Continued)

(56) **References Cited**

**U.S. PATENT DOCUMENTS**

2,332,245 A 6/1941 Moll  
4,915,913 A 4/1990 Williams et al.  
(Continued)

**OTHER PUBLICATIONS**

Sportsman's Warehouse, Plano 2-3705 Pro Latch Stowaway, <https://web.archive.org/web/20110317013706/http://www.sportsmanswarehouse.com/sportsmans/Plano-2-3705-Pro-Latch-Stowaway/productDetail/Utility-Compartment-Boxes/prod9999000388/cat101127>, first available online Mar. 17, 2011 (retrieved Sep. 6, 2016).\*

(Continued)

*Primary Examiner* — Sandra Snapp

*Assistant Examiner* — Holly E Thurman

(74) *Attorney, Agent, or Firm* — Duane Morris LLP; J. Rodman Steele, Jr.; Gregory M. Lefkowitz

(57) **CLAIM**

The ornamental design for a parts storage container, as shown and described.

**DESCRIPTION**

FIG. 1 is a perspective view of the parts storage container showing my new design;

FIG. 2 is a perspective view of an interior of the ornamental design of FIG. 1;

FIG. 3 is a front view of the ornamental design of FIG. 1;

FIG. 4 is a back view of the ornamental design of FIG. 1;

FIG. 5 is a left side view of the ornamental design of FIG. 1;

FIG. 6 is a right side view of the ornamental design of FIG. 1;

FIG. 7 is a top view of the ornamental design of FIG. 1;

FIG. 8 is a bottom view of the ornamental design of FIG. 1;

FIG. 9 is a perspective view of an alternate embodiment showing a transparent surface;

FIG. 10 is a perspective view of an interior of the ornamental design of FIG. 9;

FIG. 11 is a front view of the ornamental design of FIG. 9;

FIG. 12 is a back view of the ornamental design of FIG. 9;

FIG. 13 is a left side view of the ornamental design of FIG. 9;

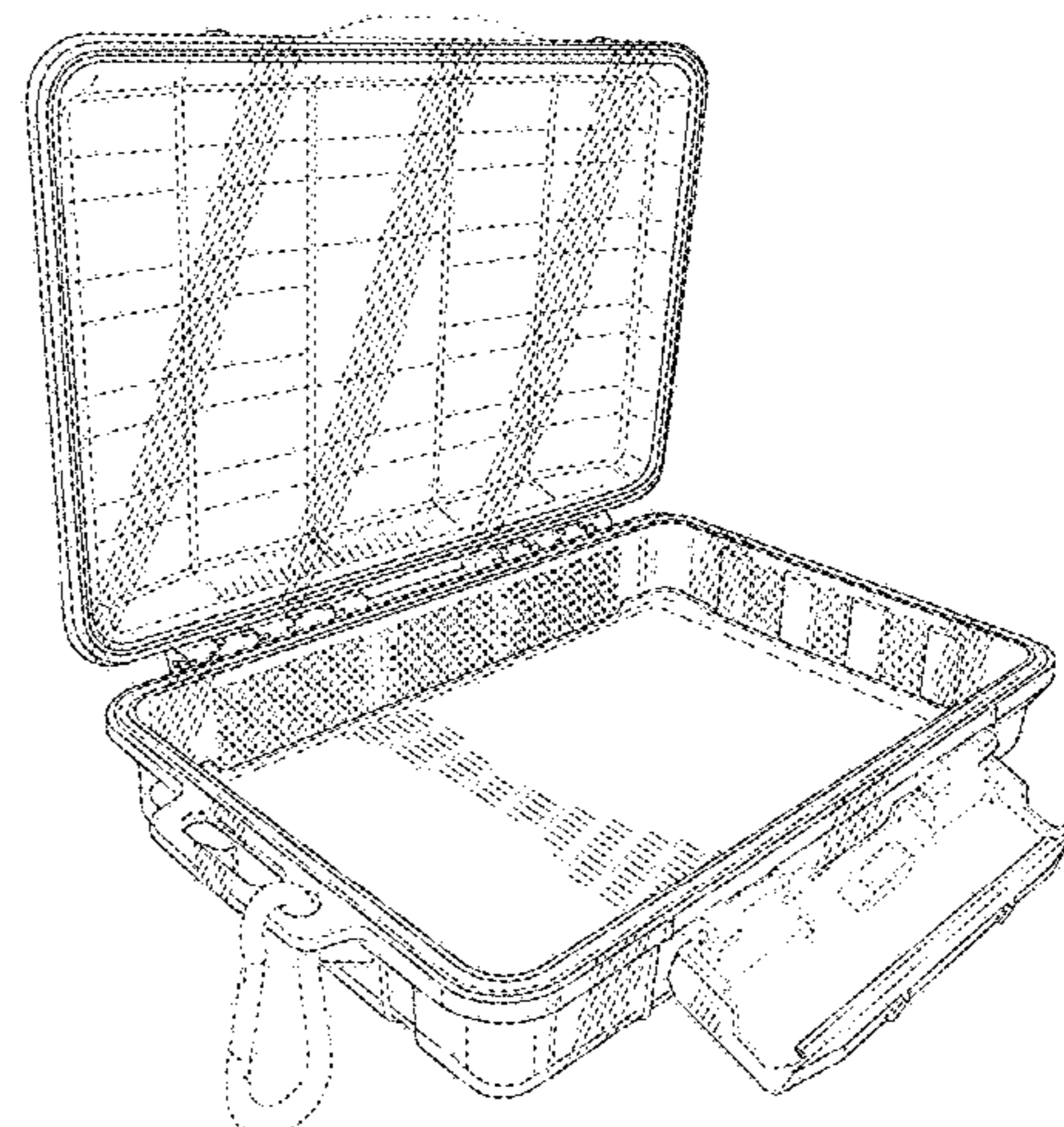
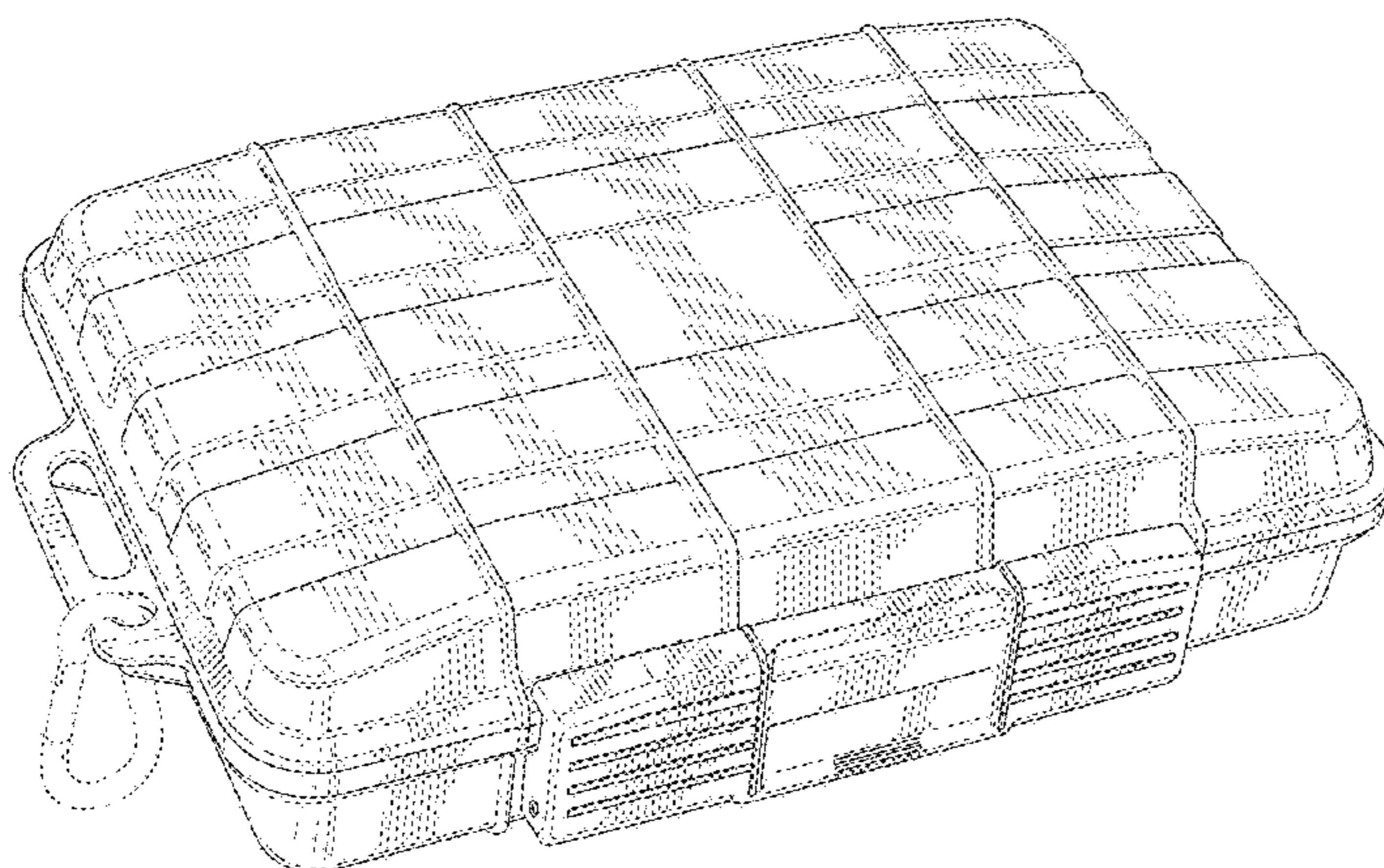
FIG. 14 is a right side view of the ornamental design of FIG. 9;

FIG. 15 is a top view of the ornamental design of FIG. 9; and,

FIG. 16 is a bottom view of the ornamental design of FIG. 9.

The broken lines are included for purposes of illustrating environment and form no part of the claimed design.

**1 Claim, 14 Drawing Sheets**



(58) **Field of Classification Search**  
 USPC ..... D3/903, 205, 203.1, 279, 282, 242, 301,  
 D3/302; D9/418, 420–423; D28/76–78,  
 D28/82–83; D99/28, 34  
 CPC A45C 5/04; A45C 11/16; A45C 11/00; A45C  
 5/00  
 See application file for complete search history.

(56) **References Cited**  
 U.S. PATENT DOCUMENTS

4,920,771	A	5/1990	Jiang	
5,127,684	A	7/1992	Klotz et al.	
D439,407	S	3/2001	Parker	
D441,954	S	5/2001	Parker	
D464,196	S	10/2002	Parker	
D465,330	S	11/2002	Parker	
D473,054	S *	4/2003	Roehrig	D3/294
D483,948	S	12/2003	Parker	
D485,069	S	1/2004	Parker	
6,698,608	B2	3/2004	Parker et al.	
D492,184	S	6/2004	Parker et al.	
6,789,692	B2	9/2004	Prezelin	
6,953,126	B2	10/2005	Parker et al.	
D516,309	S *	3/2006	Richardson	D3/273
D516,807	S *	3/2006	Richardson	D3/273
D520,237	S *	5/2006	Cheng	D3/276
D523,242	S *	6/2006	Hardigg	D3/276
D563,671	S *	3/2008	Cornwell	D3/294
7,533,782	B2	5/2009	Parker et al.	

D724,842	S *	3/2015	Whalen	D3/294
8,985,385	B2 *	3/2015	Parker	A45C 13/008 220/326
D727,620	S *	4/2015	Tonelli	D3/276
D729,520	S *	5/2015	Koeniger	D3/294
D738,106	S *	9/2015	Shitrit	D3/276
RE45,787	E *	11/2015	Hurt	D3/294
D742,640	S *	11/2015	Sabbag	D3/281
2002/0043534	A1	4/2002	Uke	
2003/0010783	A1	1/2003	Prezelin	
2006/0186003	A1	8/2006	Dost et al.	
2009/0114646	A1	5/2009	Whalen	
2009/0200300	A1	8/2009	Parker et al.	
2011/0127264	A1	6/2011	Whalen	
2011/0147386	A1	6/2011	Whalen	

OTHER PUBLICATIONS

Plano Molding Company, Hunter Guide Series PC Field Box, [https://www.amazon.co.uk/Plano-Molding-Company-Hunter-X-Small/dp/B00VKPRAIO/ref=sr\\_1\\_21?ie=UTF8&qid=1473178203&sr=8-21&keywords=plano+molding+waterproof](https://www.amazon.co.uk/Plano-Molding-Company-Hunter-X-Small/dp/B00VKPRAIO/ref=sr_1_21?ie=UTF8&qid=1473178203&sr=8-21&keywords=plano+molding+waterproof), first available online Jul. 20, 2016 (retrieved Sep. 6, 2016).\*

Coleman Watertight Storage Container, <https://www.walmart.com/ip/Coleman-2000014511-Watertight-Storage-Container-Medium/35395633#reviews>, available online Dec. 8, 2014 (retrieved Sep. 6, 2016).\*

\* cited by examiner

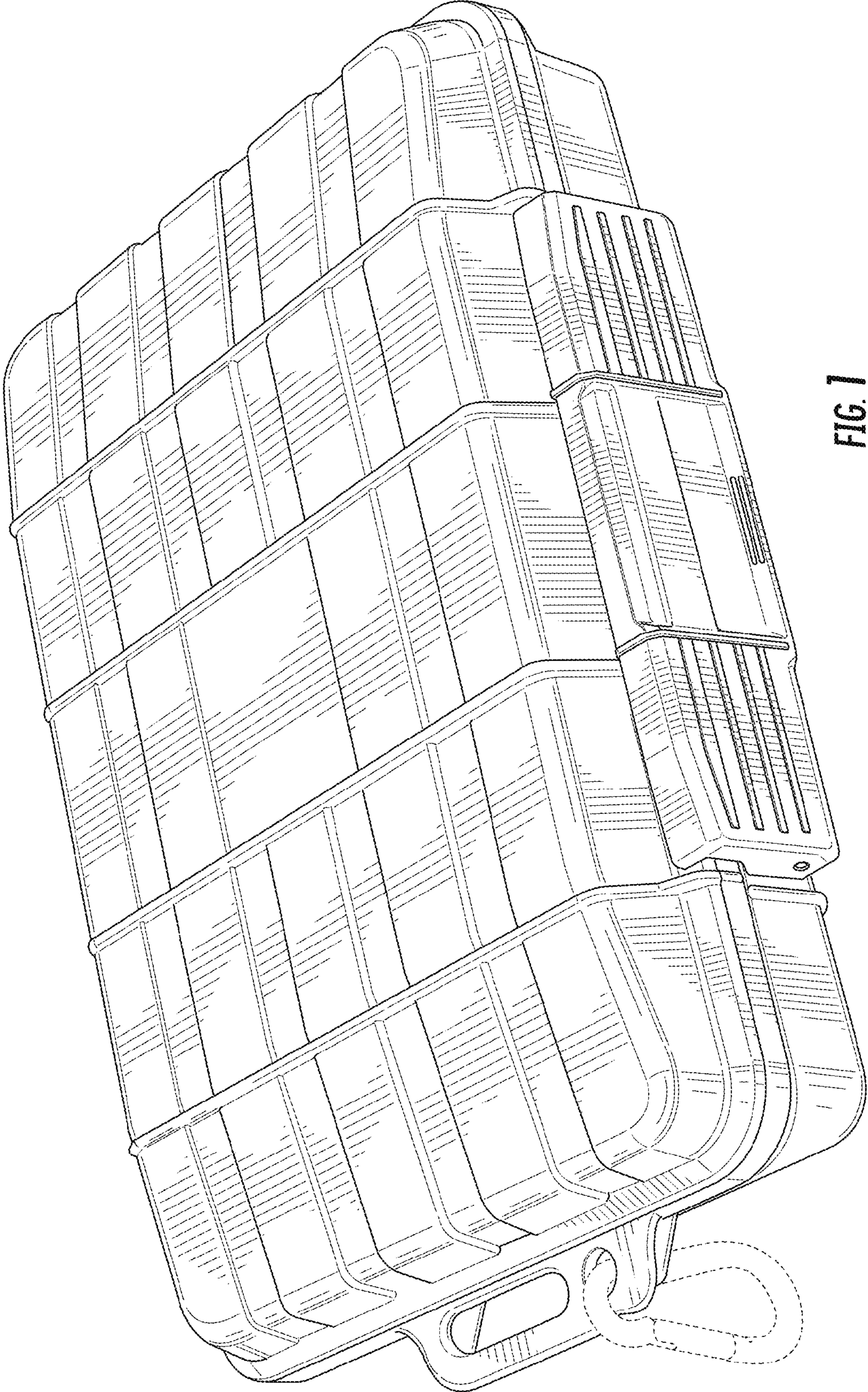


FIG. 1

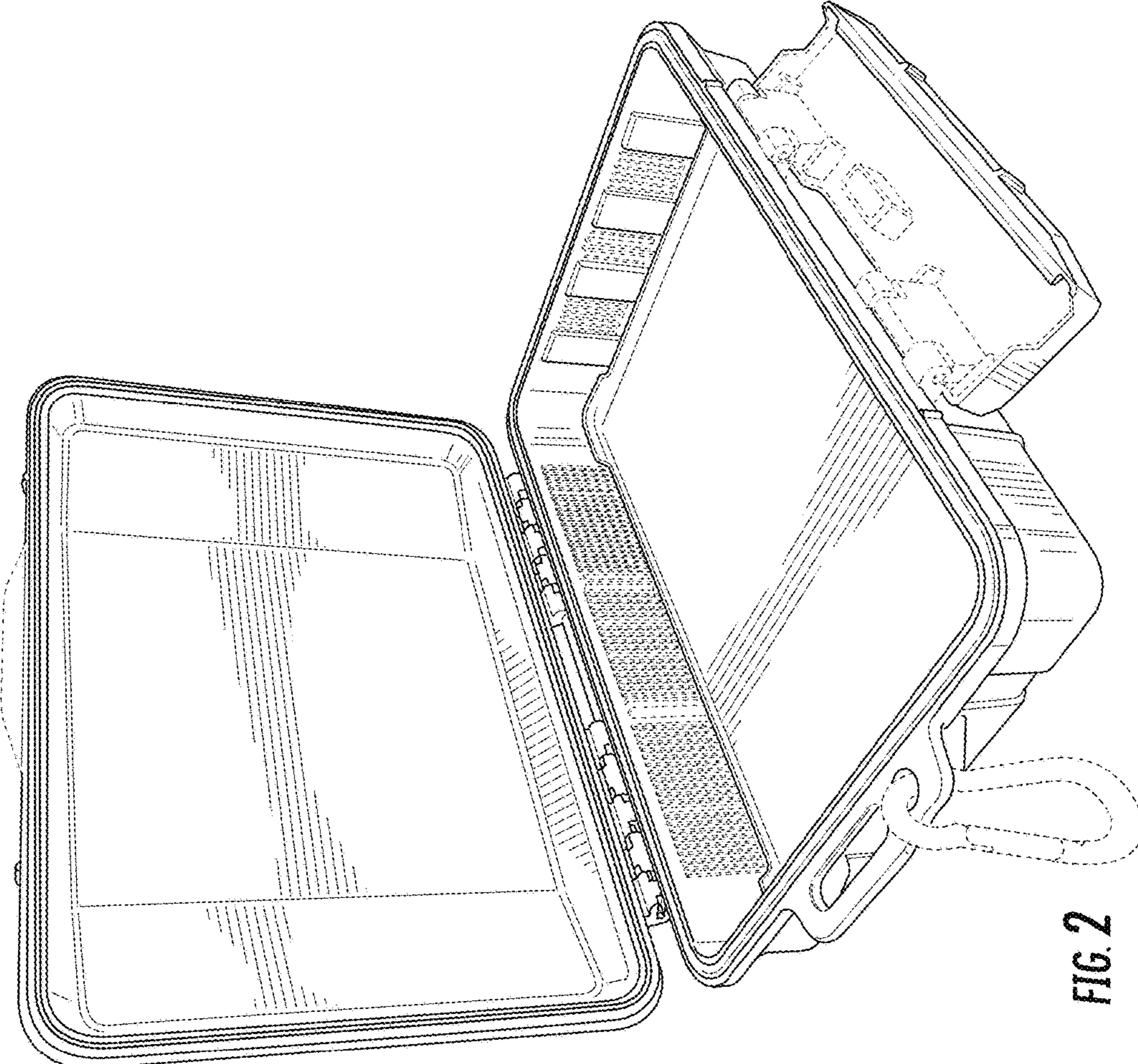


FIG. 2

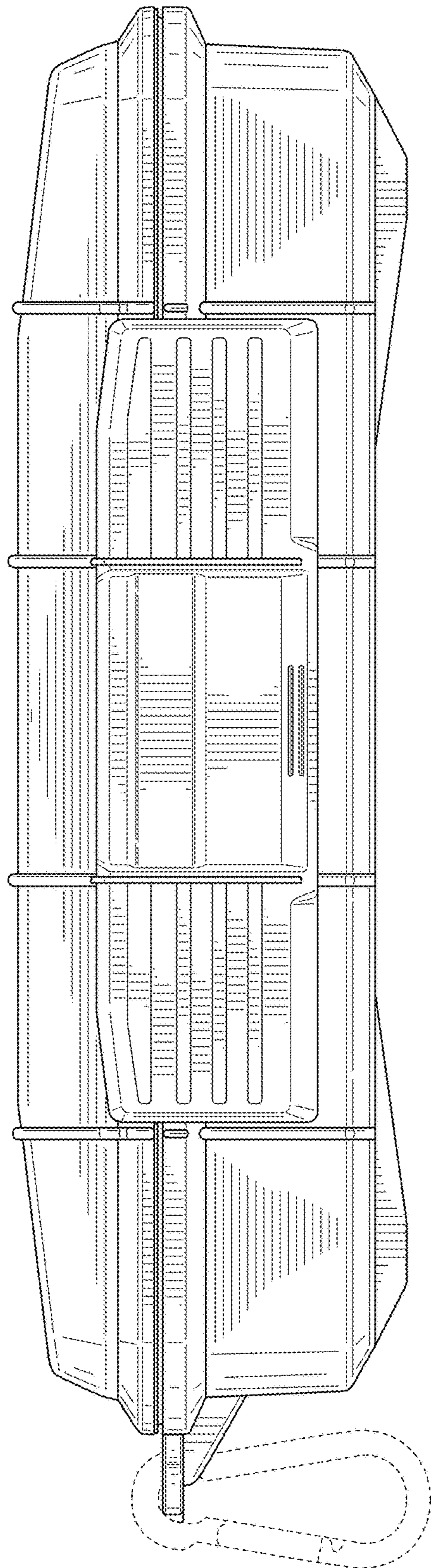


FIG. 3

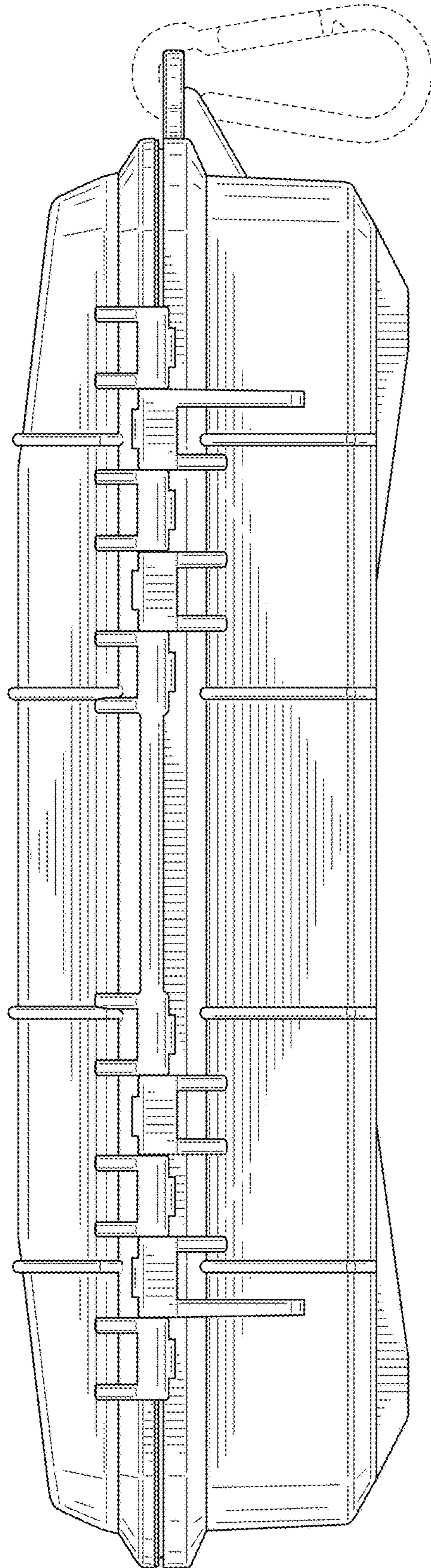


FIG. 4

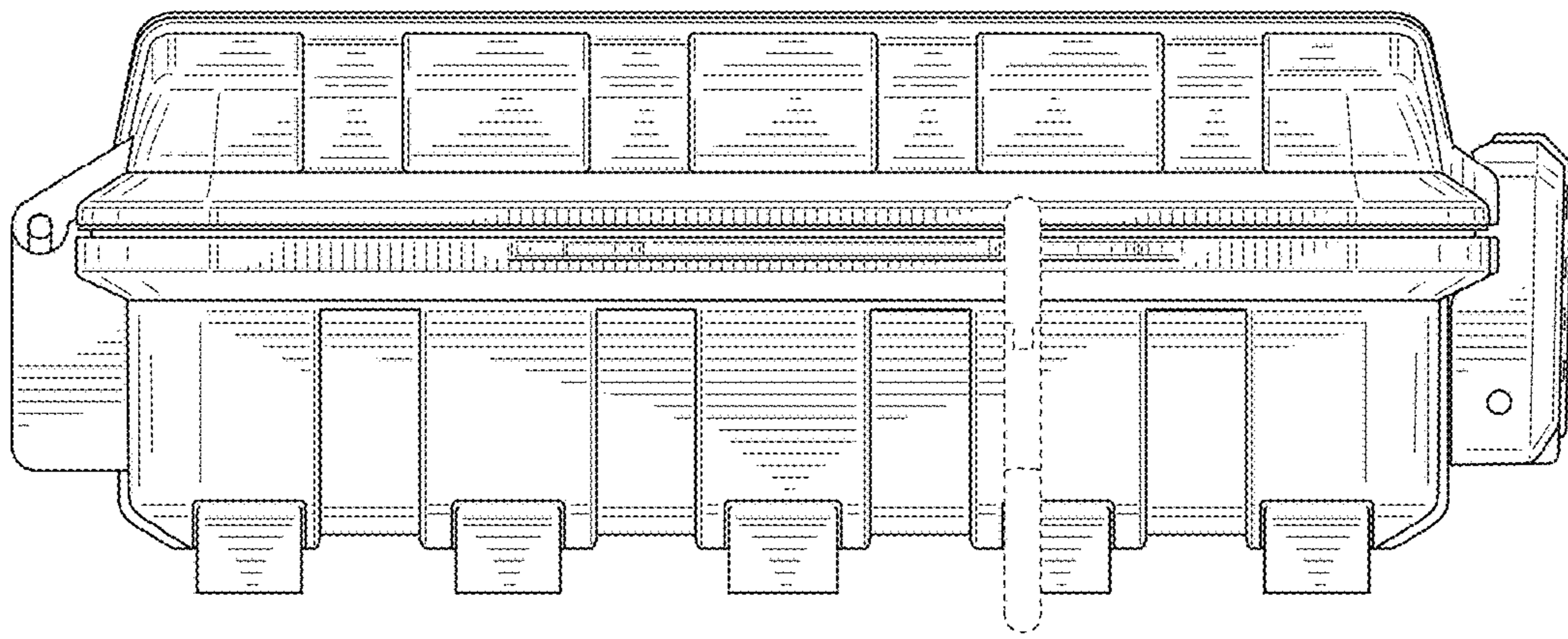


FIG. 5

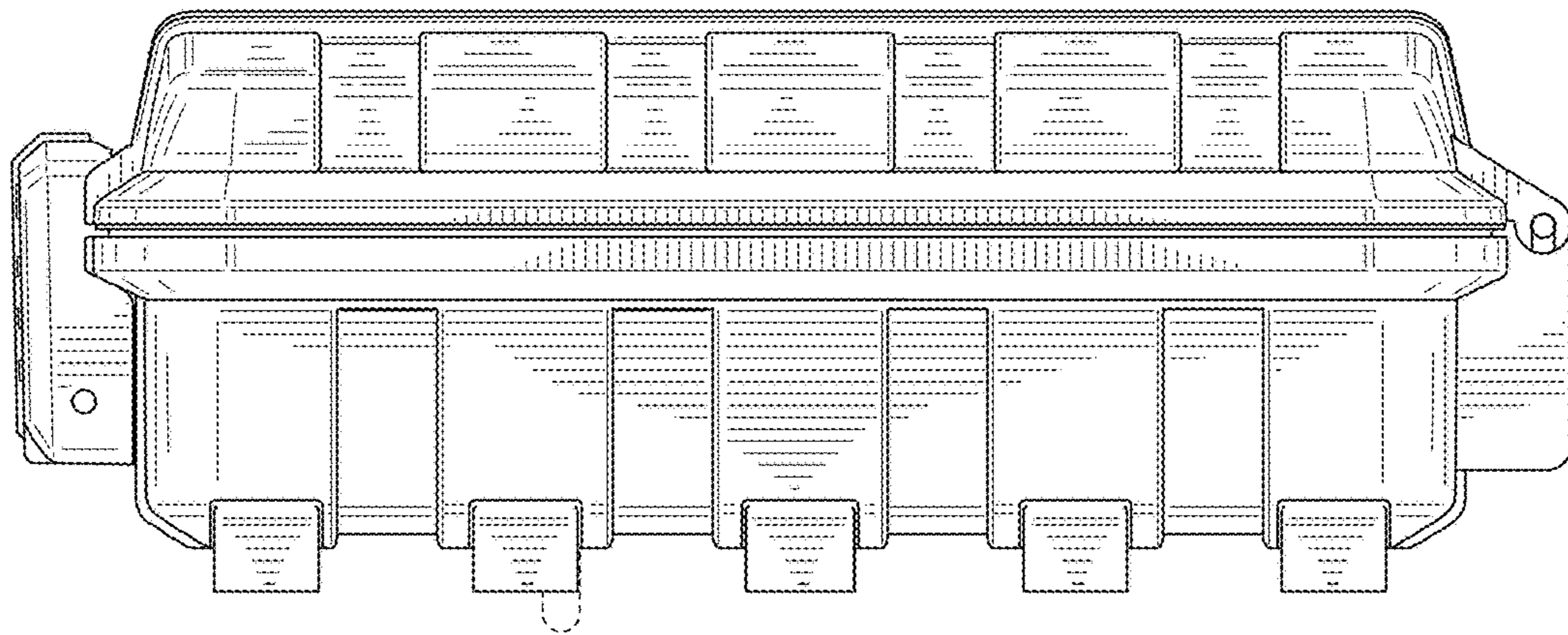


FIG. 6

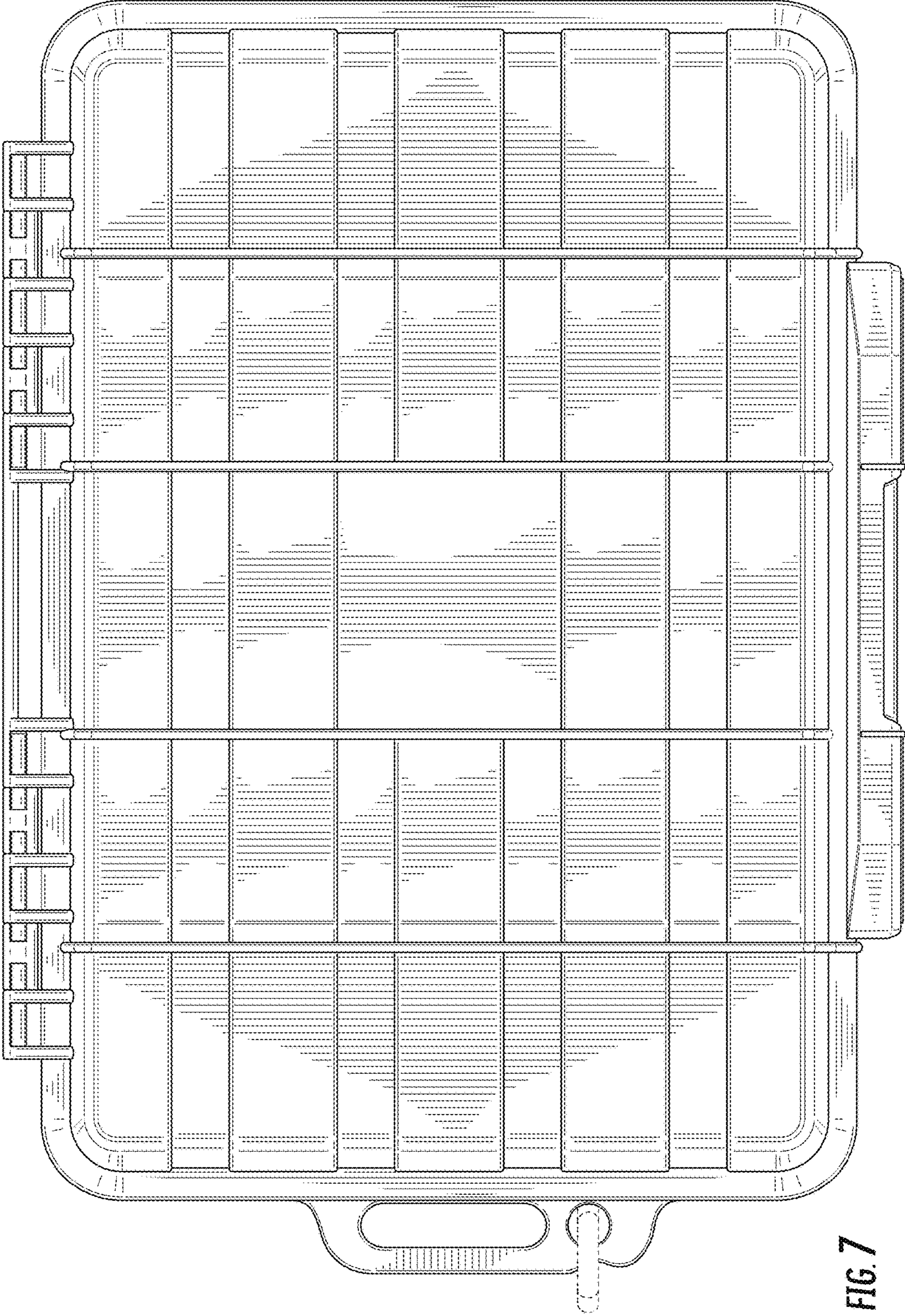


FIG. 7



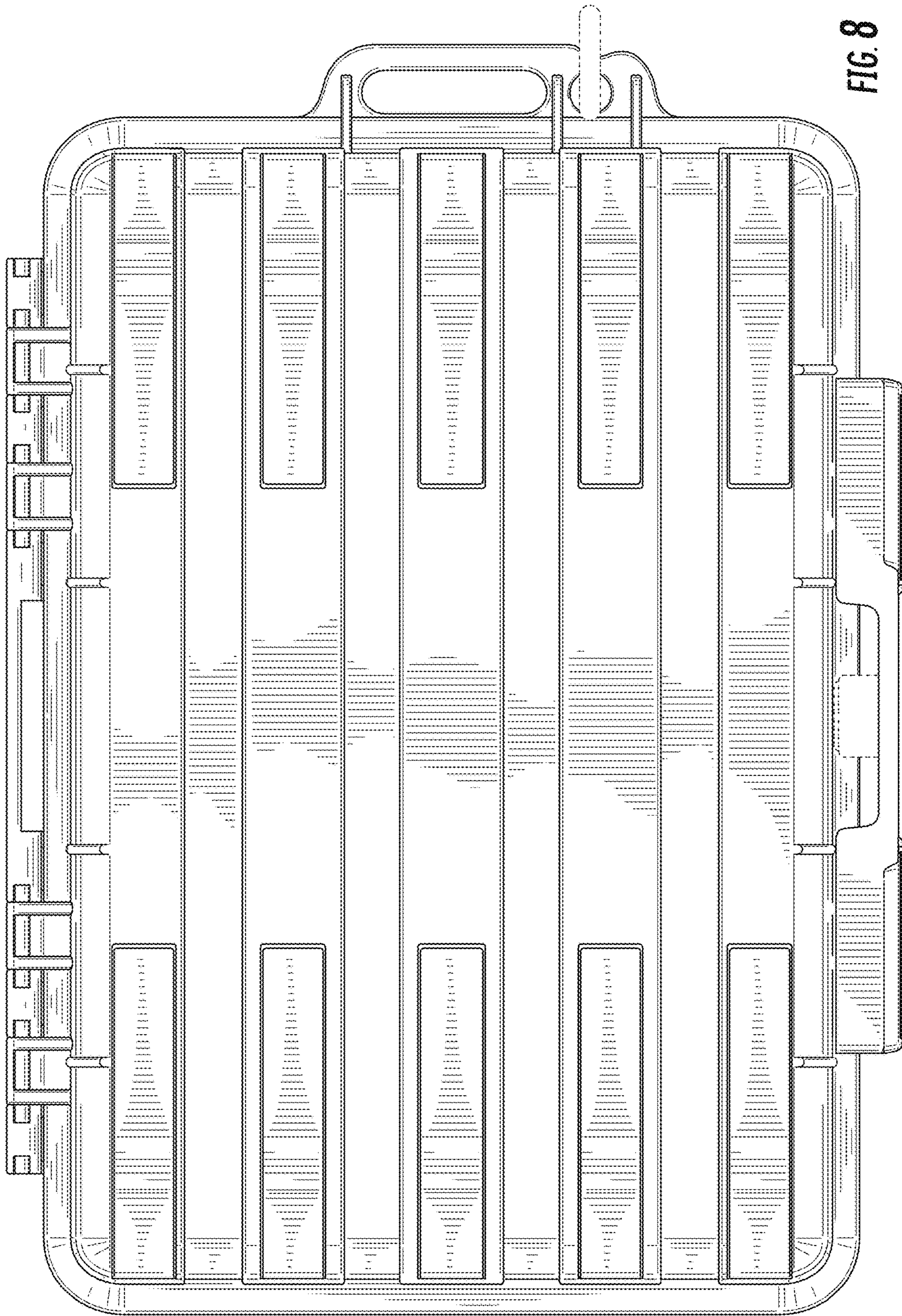


FIG. 8

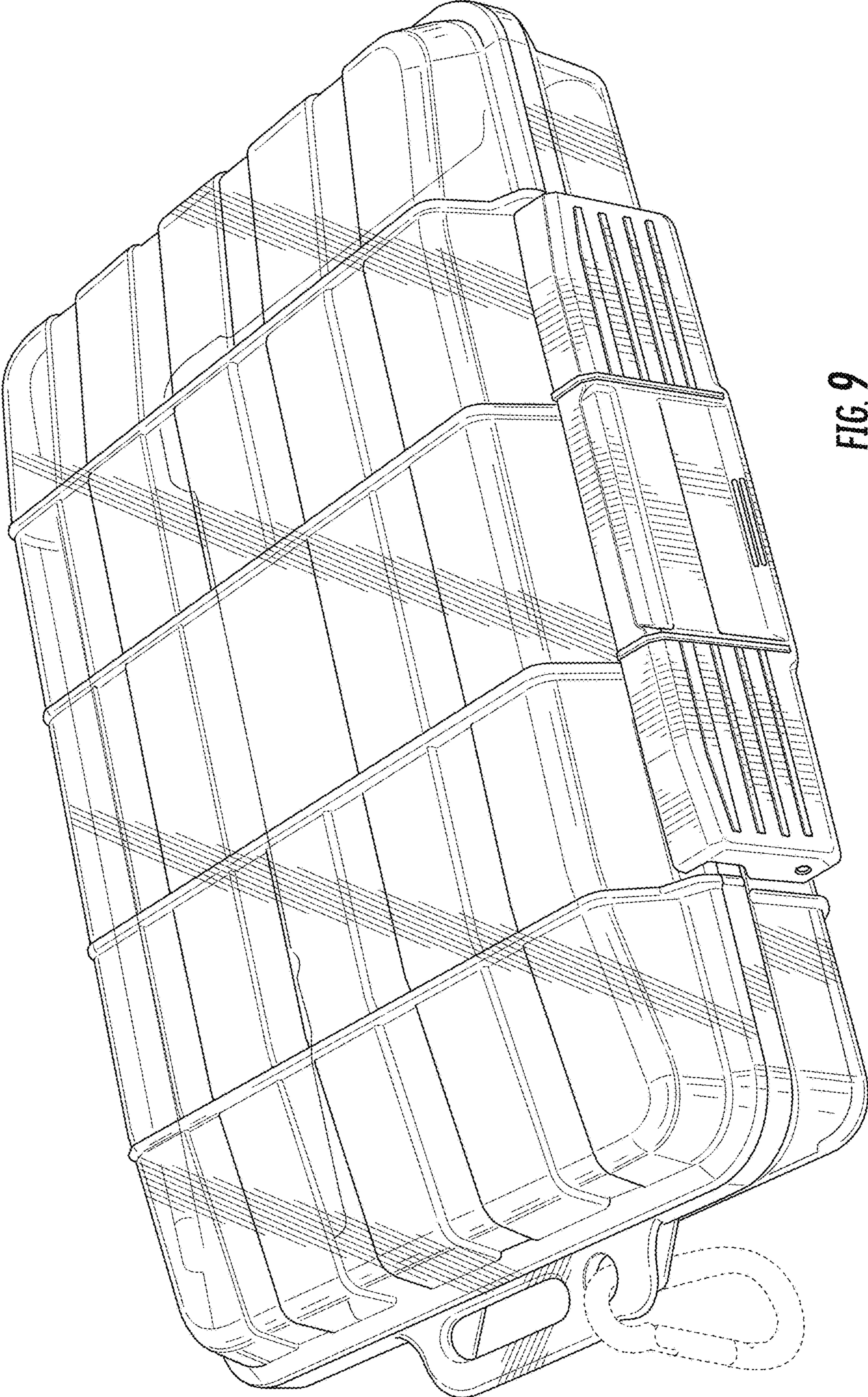


FIG. 9

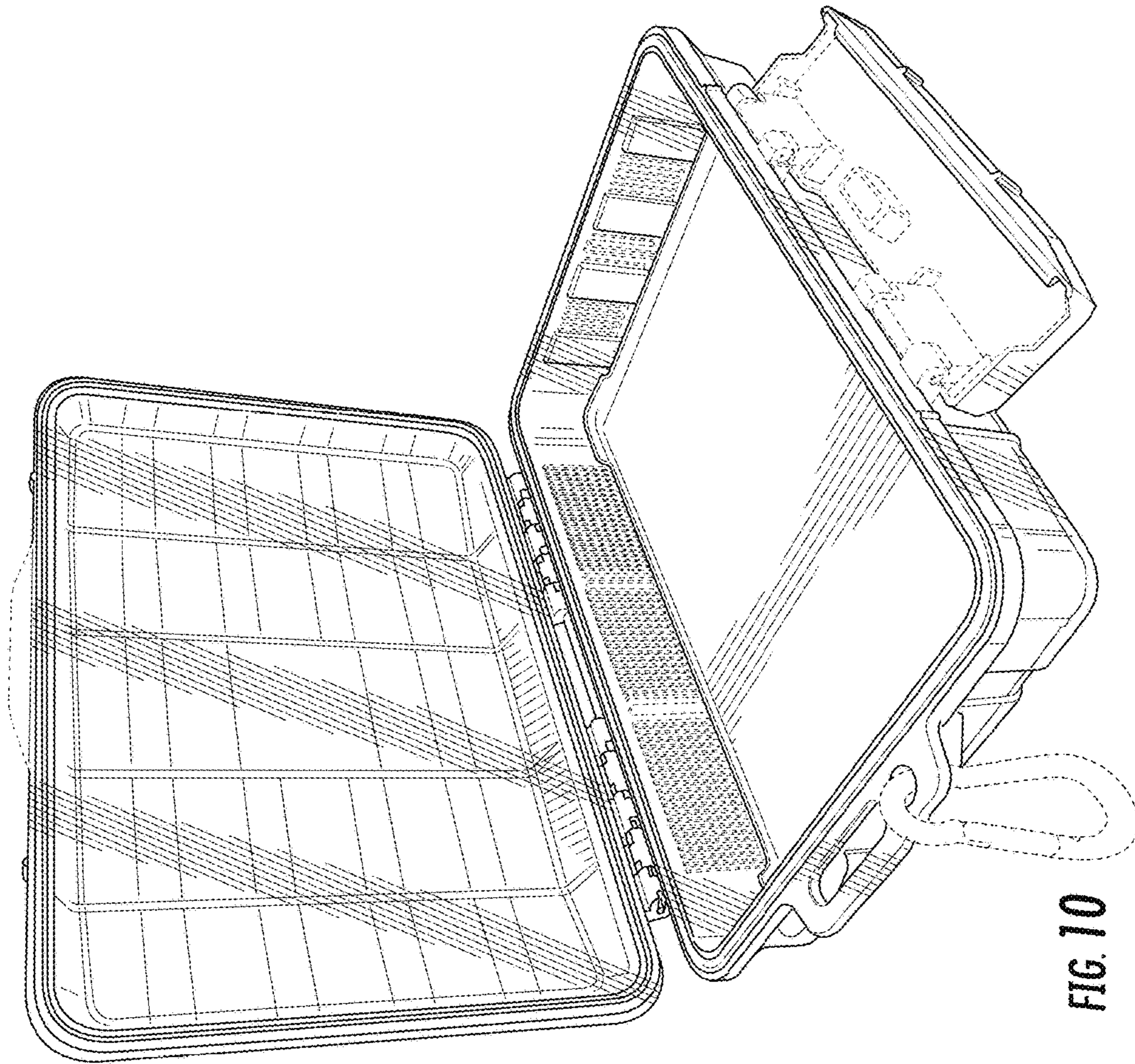


FIG. 10

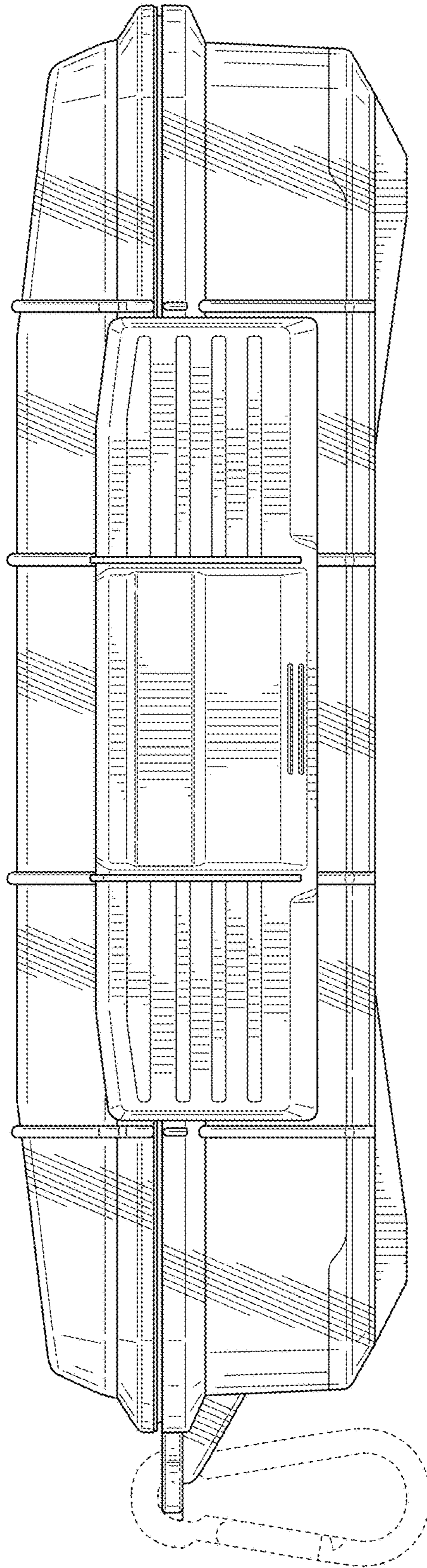


FIG. 11

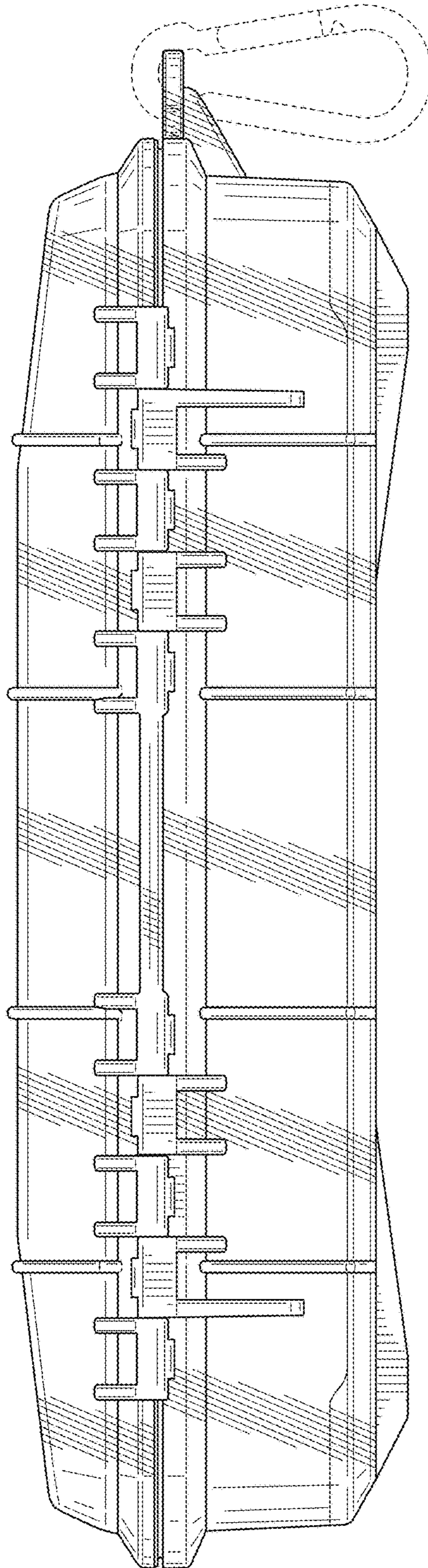


FIG. 12

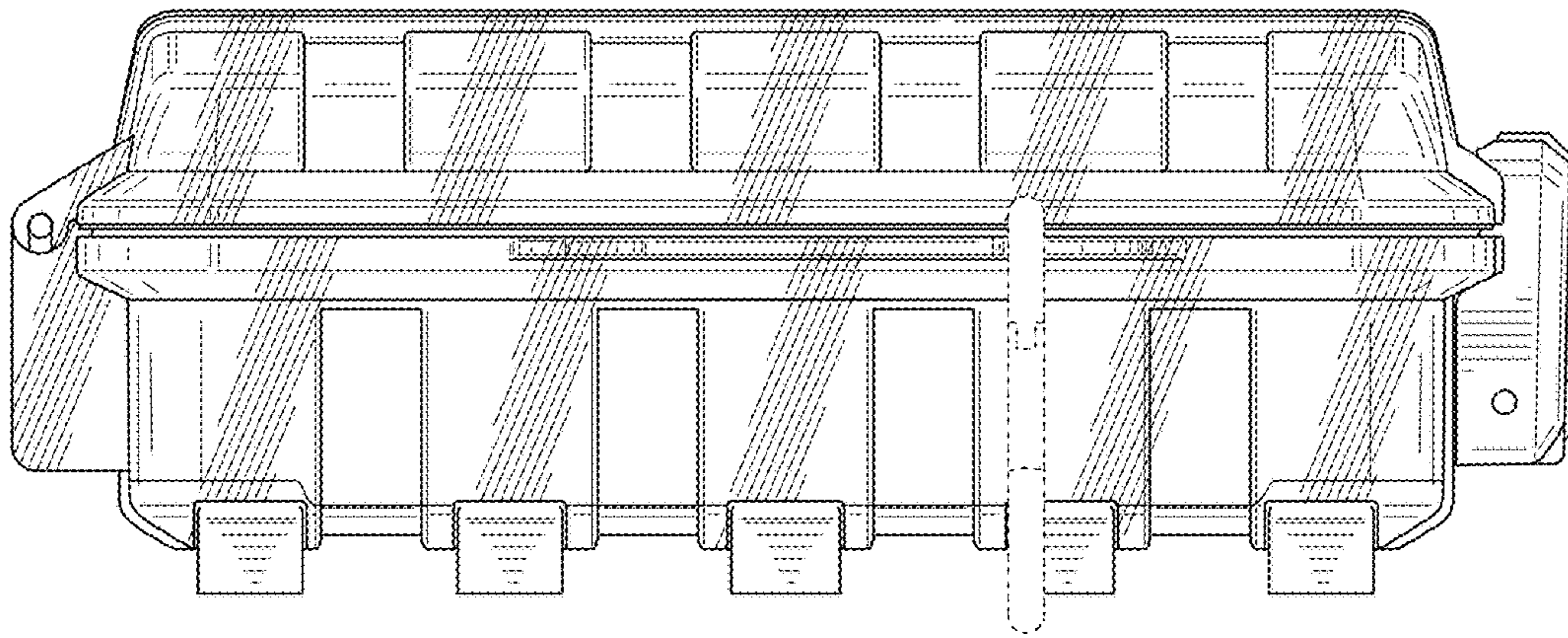


FIG. 13

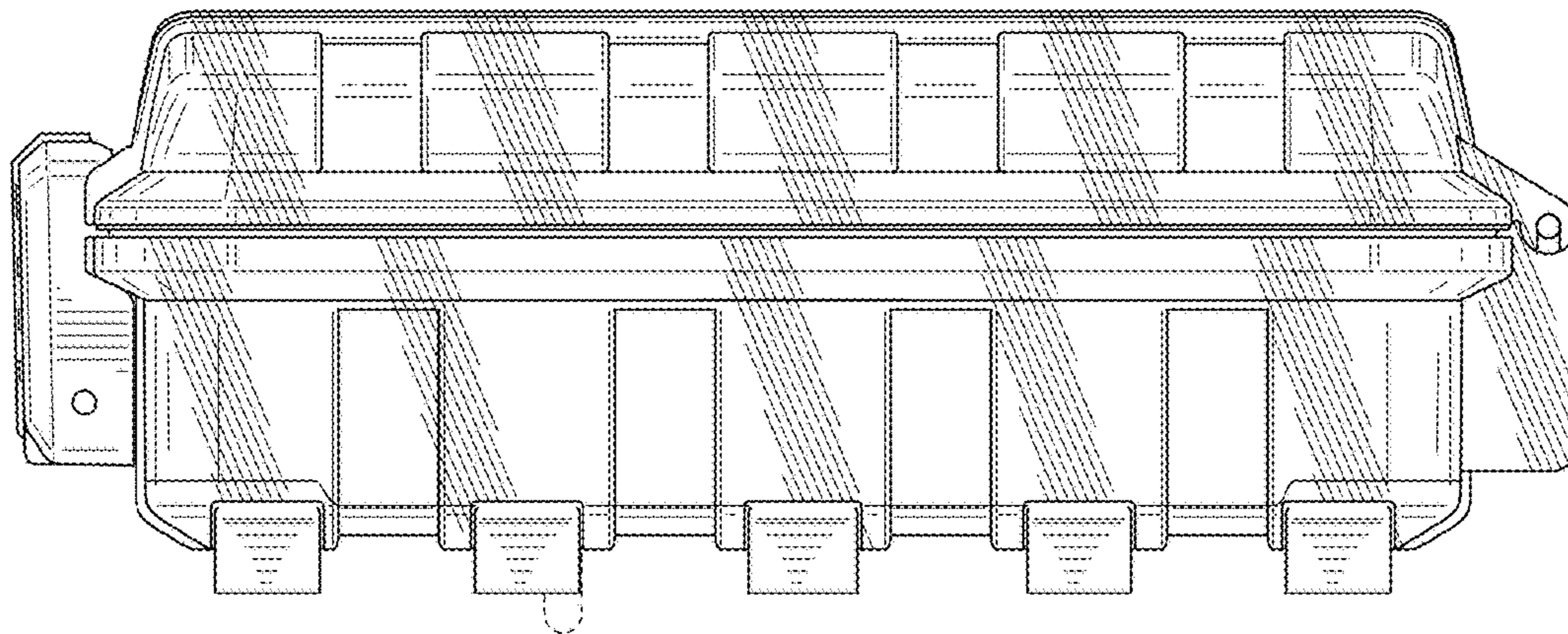


FIG. 14

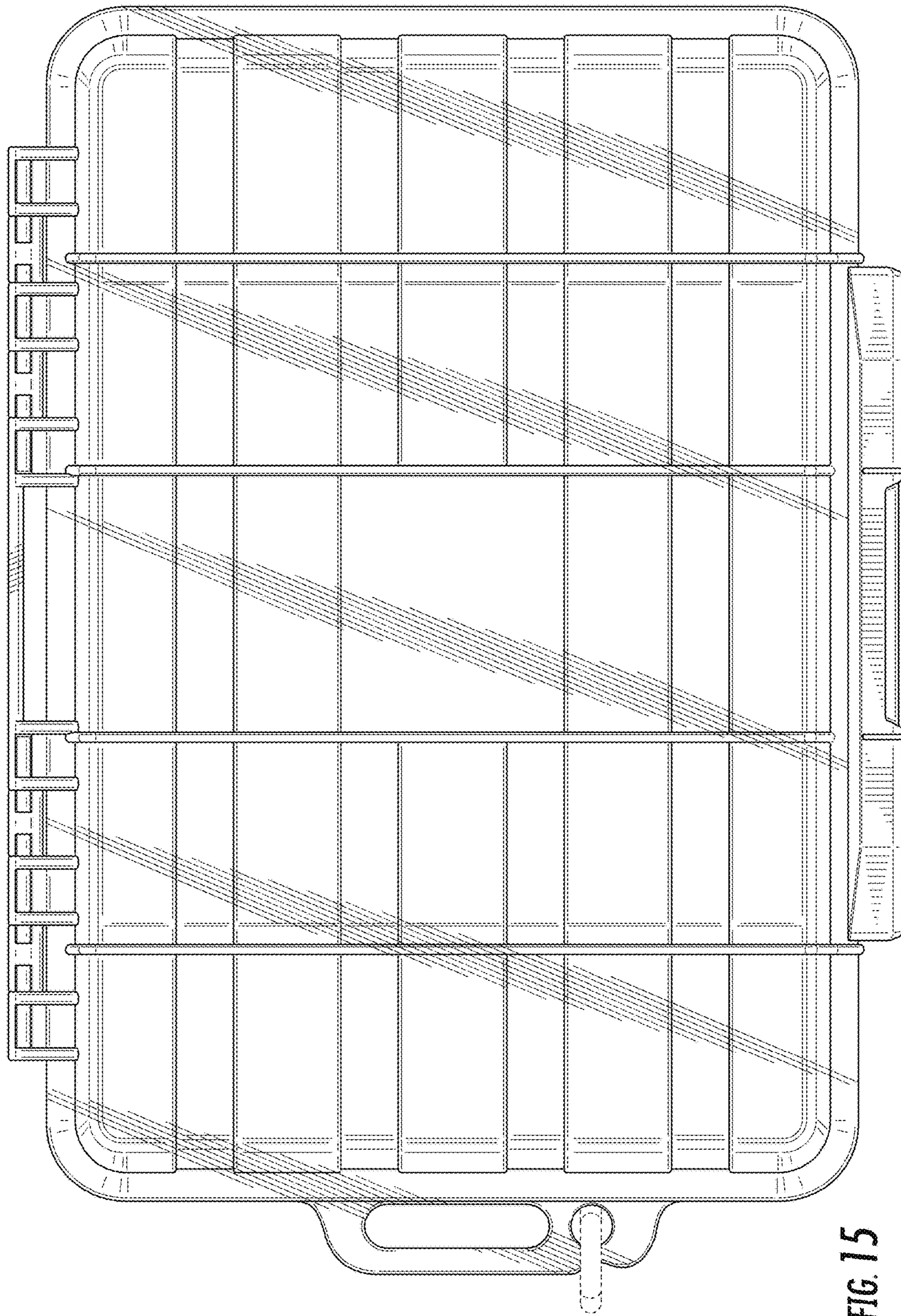


FIG. 15

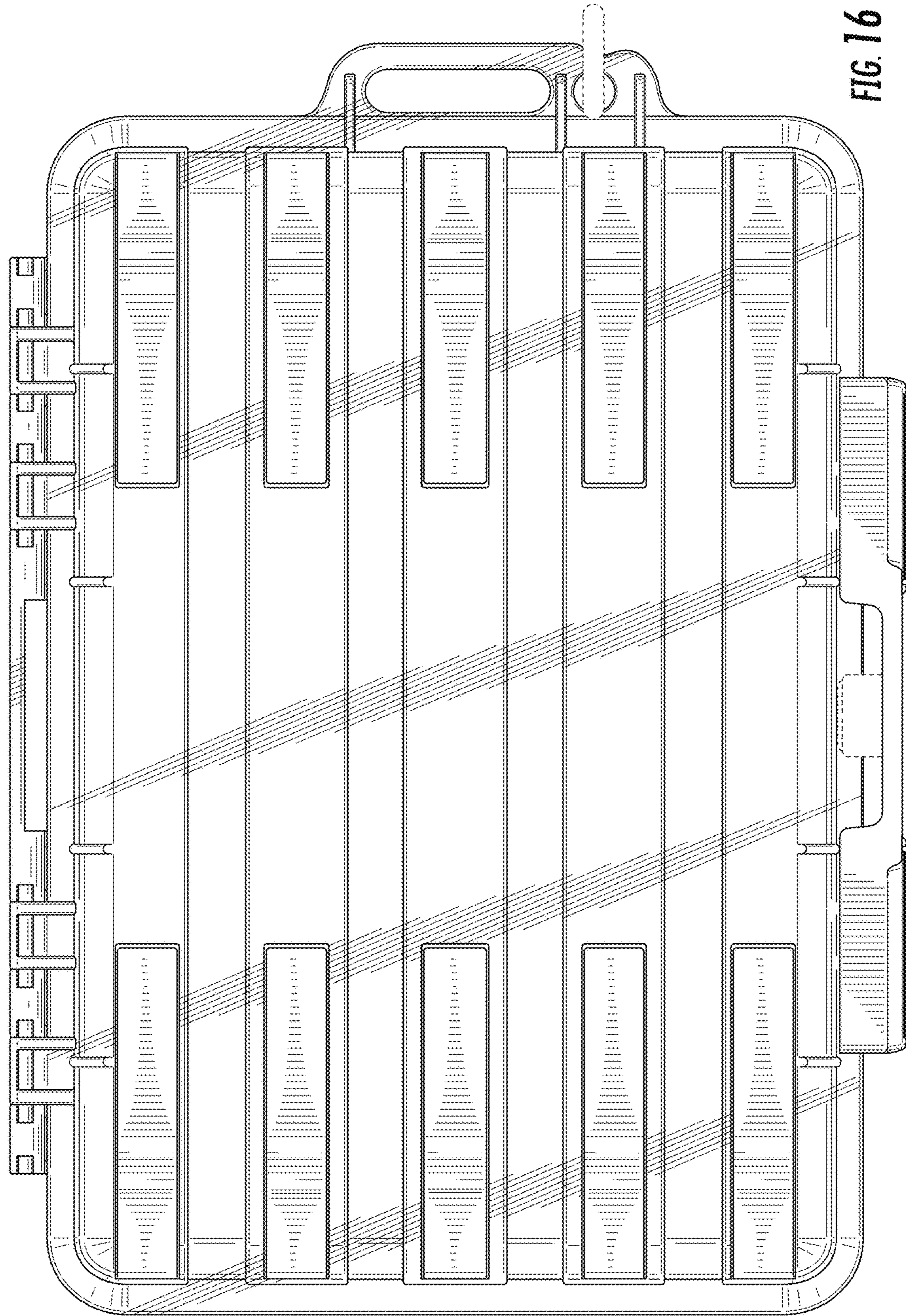


FIG. 16