



US00D781576S

(12) **United States Design Patent**
Balchunas

(10) **Patent No.:** **US D781,576 S**

(45) **Date of Patent:** **** Mar. 21, 2017**

- (54) **ELECTRONIC DEVICE HOLDER**
- (71) Applicant: **Nite Ize, Inc.**, Boulder, CO (US)
- (72) Inventor: **Dennis Balchunas**, Longmont, CO (US)
- (73) Assignee: **Nite Iza, Inc.**, Boulder, CO (US)
- (**) Term: **15 Years**
- (21) Appl. No.: **29/550,607**
- (22) Filed: **Jan. 5, 2016**
- (51) **LOC (10) Cl.** **03-01**
- (52) **U.S. Cl.**
USPC **D3/218**
- (58) **Field of Classification Search**
USPC D3/218–219, 215, 201, 224, 226, 228,
D3/269, 299, 301, 303; 224/240–241,
224/245, 578, 674, 676–683, 901, 904;
206/305, 320, 576, 759, 762;
455/575.1–575.8; D14/248, 250–251,
D14/253; 379/455
CPC A45F 5/00; A45F 5/02; A45F 5/021; A45F
2200/05; A45F 2200/0508; A45F
2200/0516; A45F 2200/0525
See application file for complete search history.

- D534,720 S * 1/2007 Infanti D3/218
- D585,640 S * 2/2009 Case D3/218
- D613,499 S * 4/2010 Fahrendorff D3/218
- D659,382 S * 5/2012 Fahrendorff D3/218

* cited by examiner

Primary Examiner — Catheri Oliver-Garcia

(74) *Attorney, Agent, or Firm* — Haynes and Boone, LLP

(57) **CLAIM**

The ornamental design for an electronic device holder, as shown and described.

DESCRIPTION

FIG. 1 is a front perspective view of the electronic device holder;
 FIG. 2 is a rear perspective view of the electronic device holder of FIG. 1;
 FIG. 3 is a front view of the electronic device holder of FIG. 1;
 FIG. 4 is a rear view of the electronic device holder of FIG. 1;
 FIG. 5 is a right side view of the electronic device holder of FIG. 1;
 FIG. 6 is a left side view of the electronic device holder of FIG. 1;
 FIG. 7 is a top view of the electronic device holder of FIG. 1; and,
 FIG. 8 is a bottom view of the electronic device holder of FIG. 1.

(56) **References Cited**

U.S. PATENT DOCUMENTS

- D463,664 S * 10/2002 Borsuk D3/299
- D533,341 S * 12/2006 Infanti D3/218

1 Claim, 6 Drawing Sheets

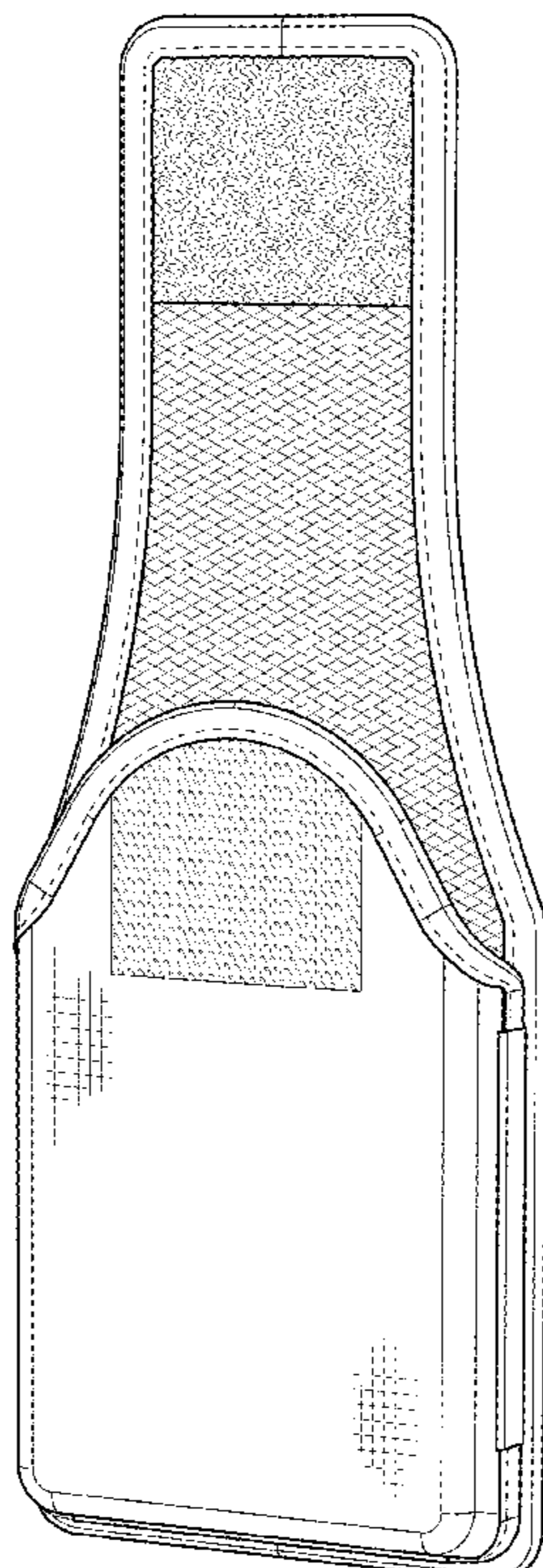


FIG. 1

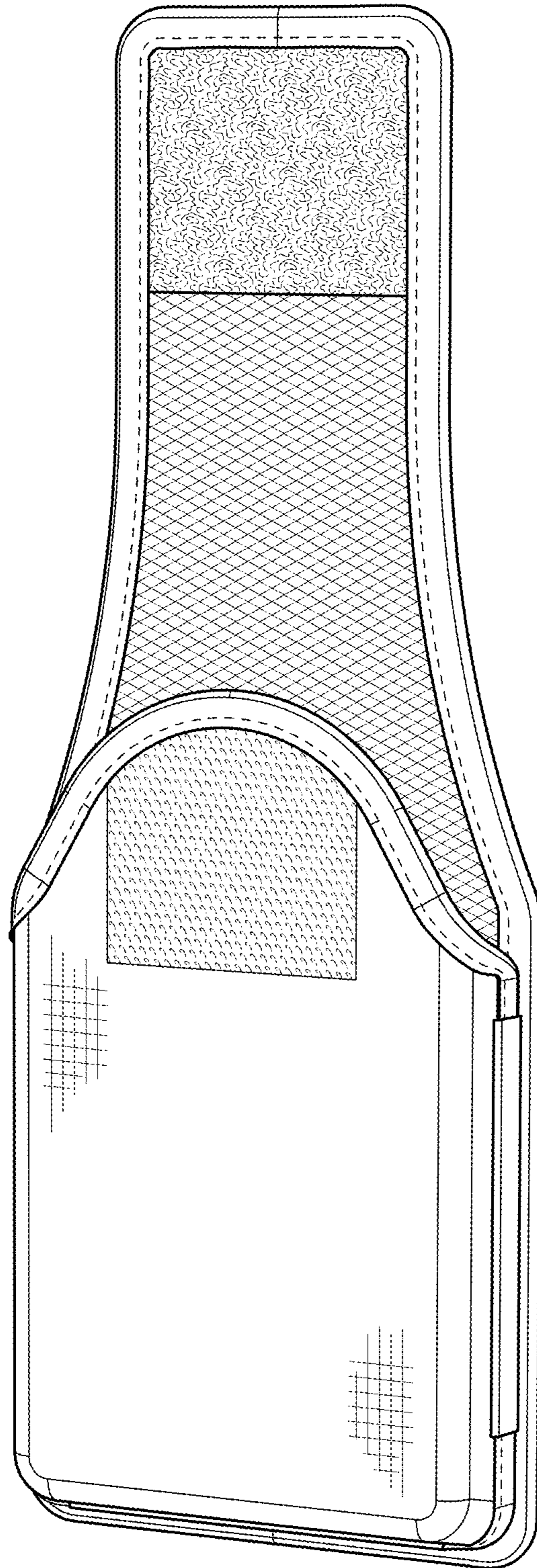


FIG. 2

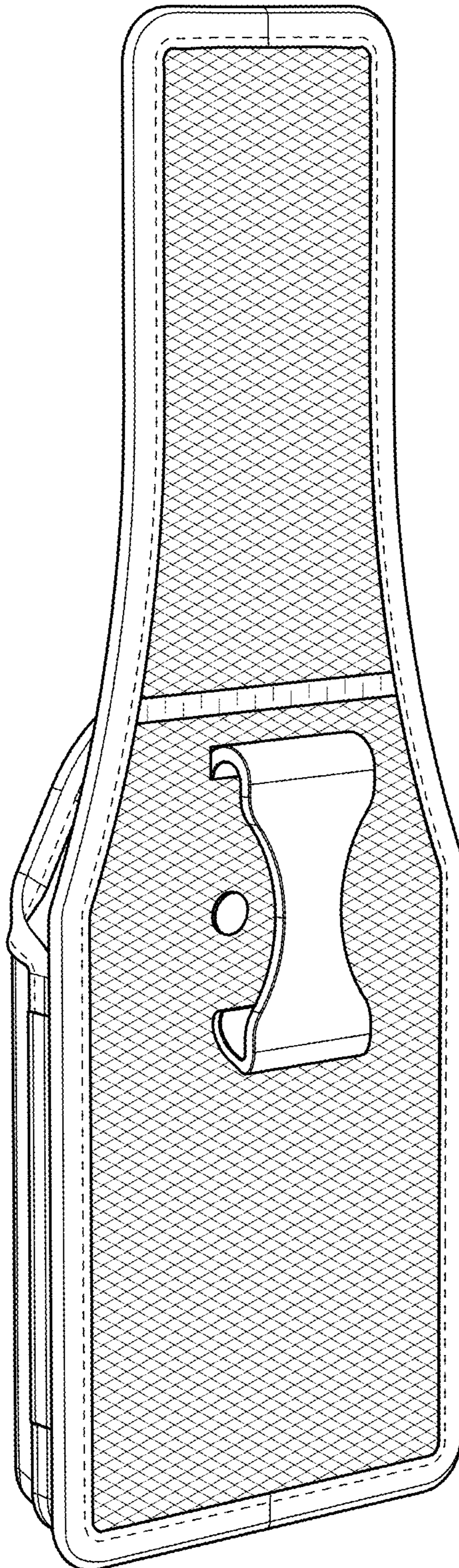


FIG. 3

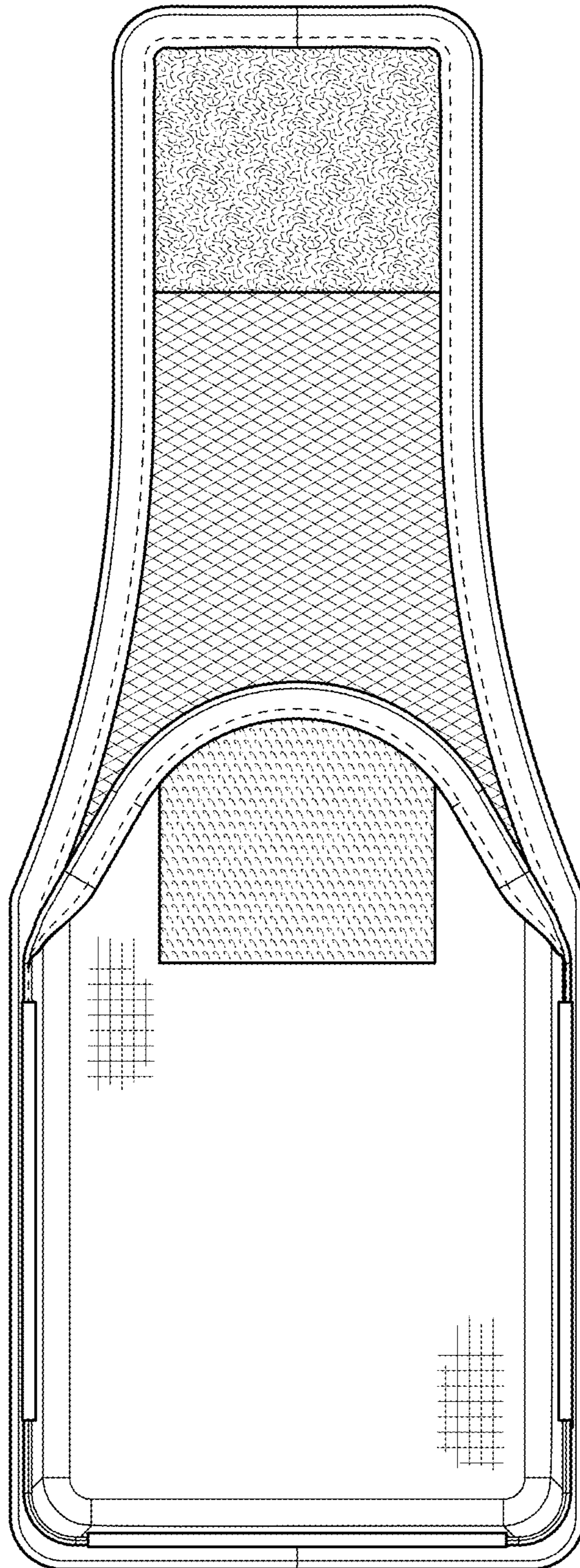


FIG. 4

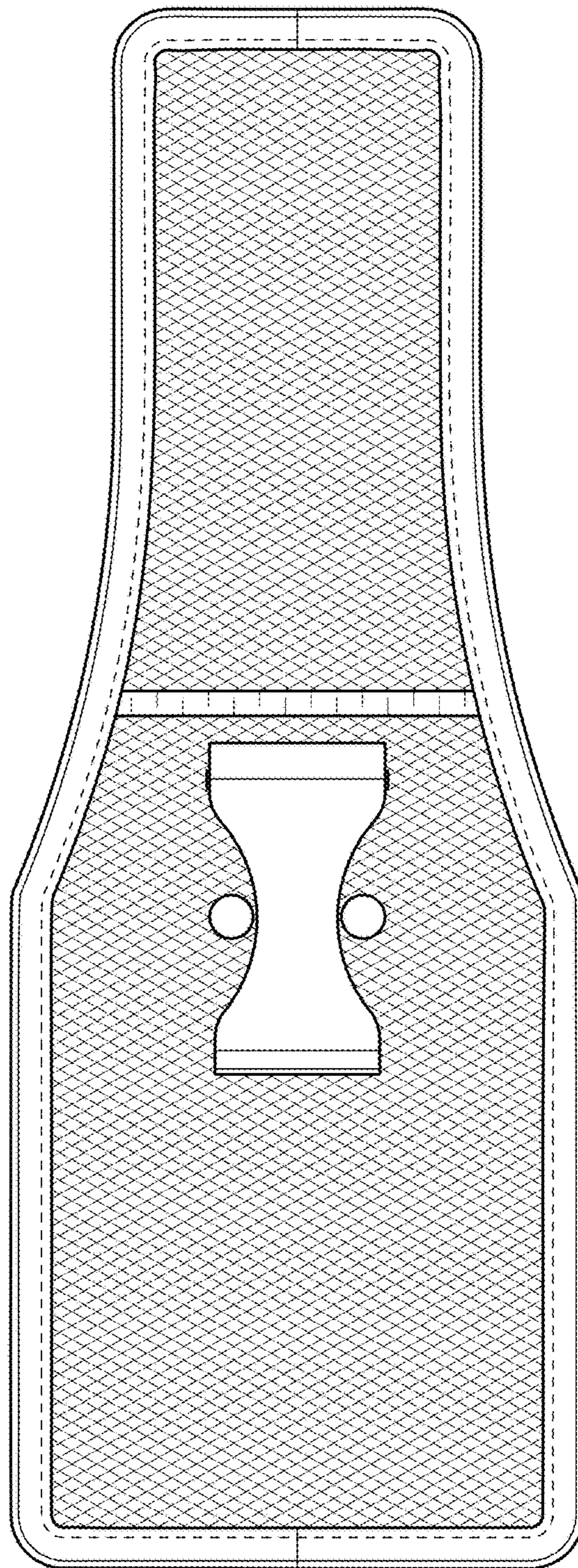


FIG. 5

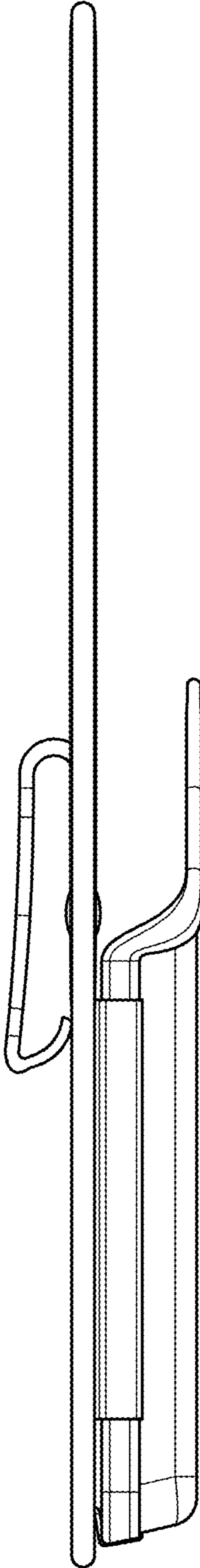


FIG. 6

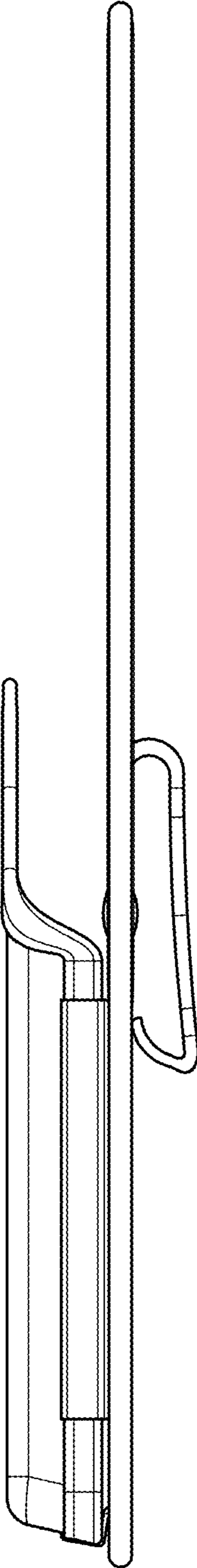


FIG. 7

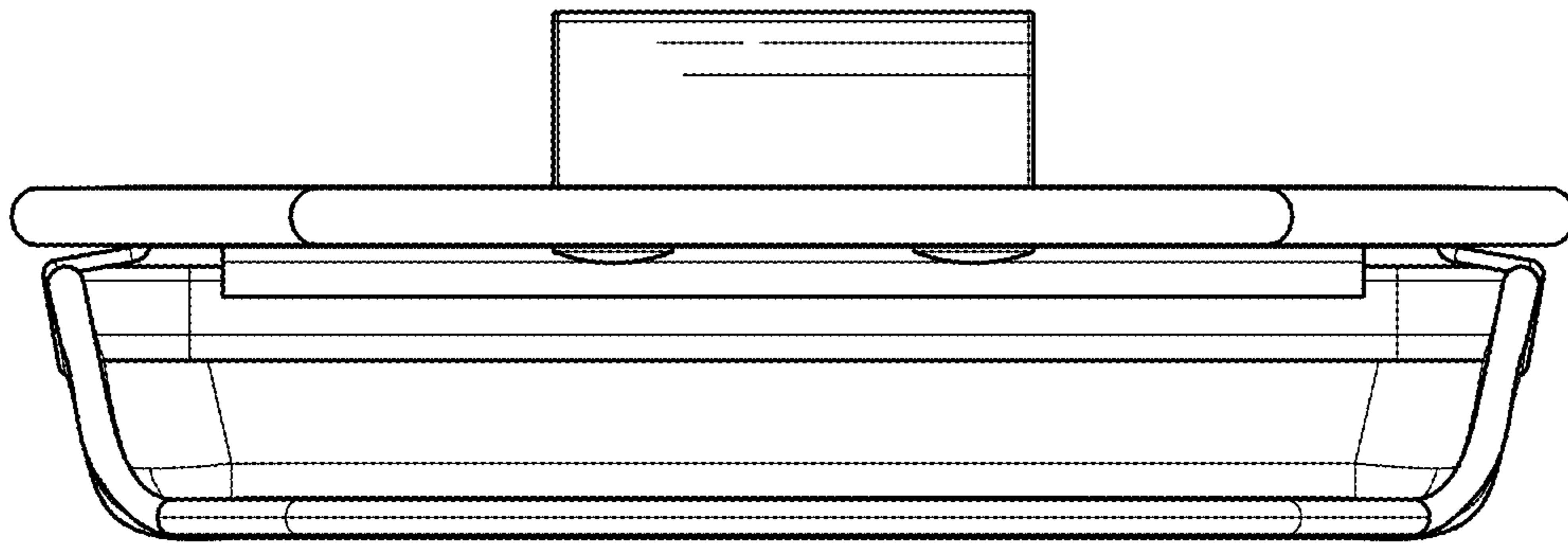


FIG. 8

