



US00D781575S

(12) **United States Design Patent**
Etekoachay

(10) **Patent No.:** **US D781,575 S**
(45) **Date of Patent:** **** Mar. 21, 2017**

(54) **BACKPACK WITH MULTIPLE COMPARTMENTS**

(71) Applicant: **Michael Etekoachay**, Middle River, MD (US)

(72) Inventor: **Michael Etekoachay**, Middle River, MD (US)

(**) Term: **15 Years**

(21) Appl. No.: **29/535,782**

(22) Filed: **Aug. 10, 2015**

(51) **LOC (10) Cl.** **03-01**

(52) **U.S. Cl.**
USPC **D3/217**

(58) **Field of Classification Search**
USPC D3/201, 213-219, 221, 224, 225, 229, D3/230, 232, 243-246, 254, 318
CPC A45F 3/04; A45F 4/02; A45F 2200/0525; A45F 2003/045; A45C 11/00; A45C 13/30; A45C 2011/002; A45C 2011/003; A45C 2011/001; A45C 15/00

See application file for complete search history.

(56) **References Cited**

U.S. PATENT DOCUMENTS

D333,038 S *	2/1993	Collins	D3/254
D380,086 S *	6/1997	Brassard	D3/215
5,706,992 A	1/1998	Moor		
D423,779 S *	5/2000	Goatcher	D3/283
D517,800 S *	3/2006	de Baschmakoff	D3/216

D554,364 S *	11/2007	Rugg	D3/217
D661,085 S *	6/2012	Custer	D3/217
D690,095 S *	9/2013	Garcia	D3/217
8,651,353 B2 *	2/2014	Koutouras	A45C 13/02 224/580
D702,434 S *	4/2014	Chalk	D3/216
D746,049 S *	12/2015	Zwetzig	D3/217
2002/0139820 A1 *	10/2002	Godshaw	A45F 4/02 224/153
2003/0197044 A1	10/2003	Webb		
2009/0289093 A1 *	11/2009	Tonelli	A45C 13/38 224/651
2013/0043293 A1	2/2013	Connell		
2014/0290025 A1 *	10/2014	Custer	A45C 13/103 29/428

* cited by examiner

Primary Examiner — George D Kirschbaum

Assistant Examiner — Jennifer Watkins

(74) *Attorney, Agent, or Firm* — Stevenson IP, LLC

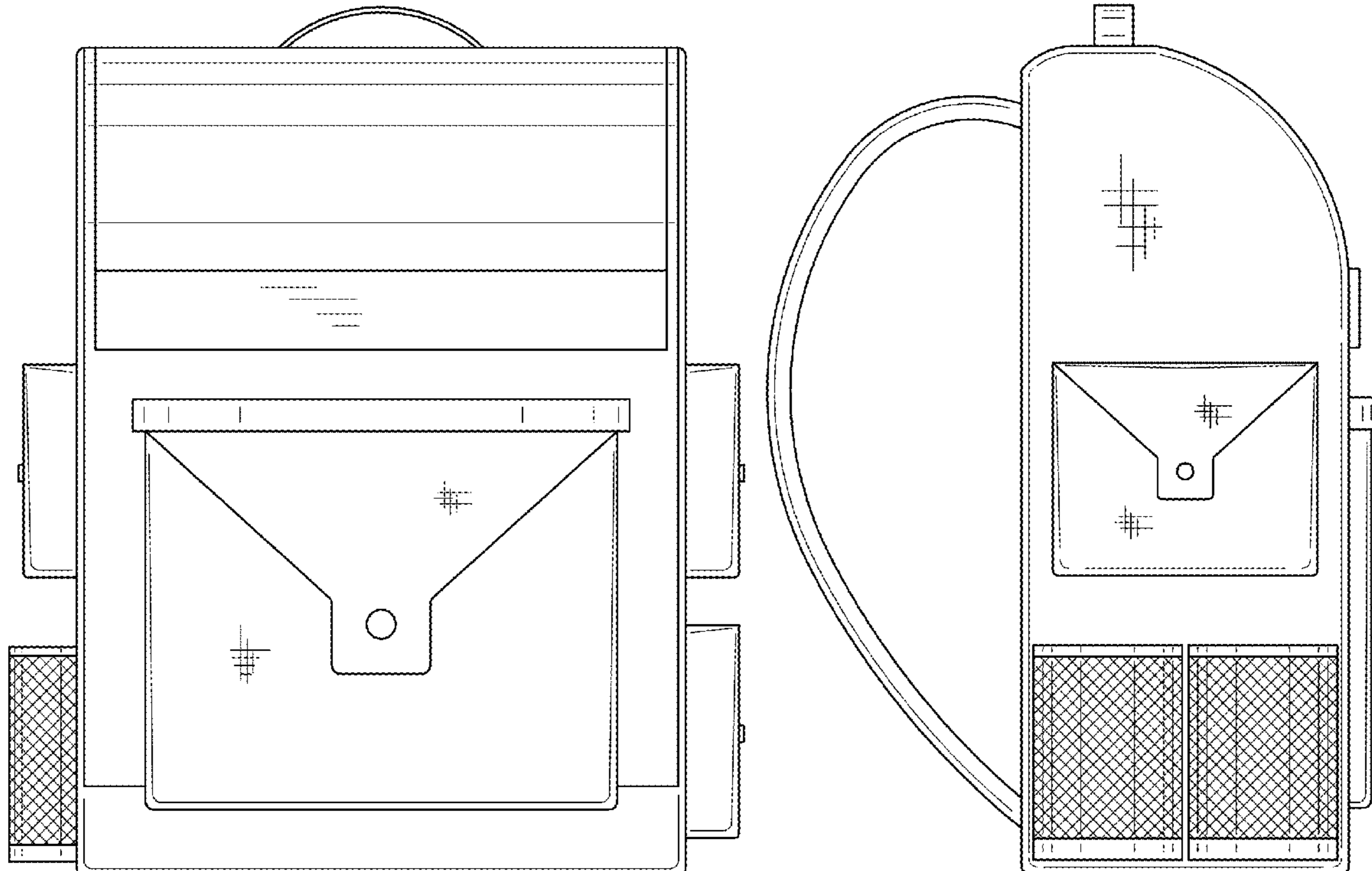
(57) **CLAIM**

The ornamental design for a backpack with multiple compartments, as shown and described.

DESCRIPTION

FIG. 1 is a front elevation view of a backpack with multiple compartments showing my new design; FIG. 2 is a rear elevation view thereof; FIG. 3 is a right side elevation view thereof; FIG. 4 is a left side elevation view thereof; FIG. 5 is a top plan view thereof; and, FIG. 6 is a bottom plan view thereof.

1 Claim, 5 Drawing Sheets



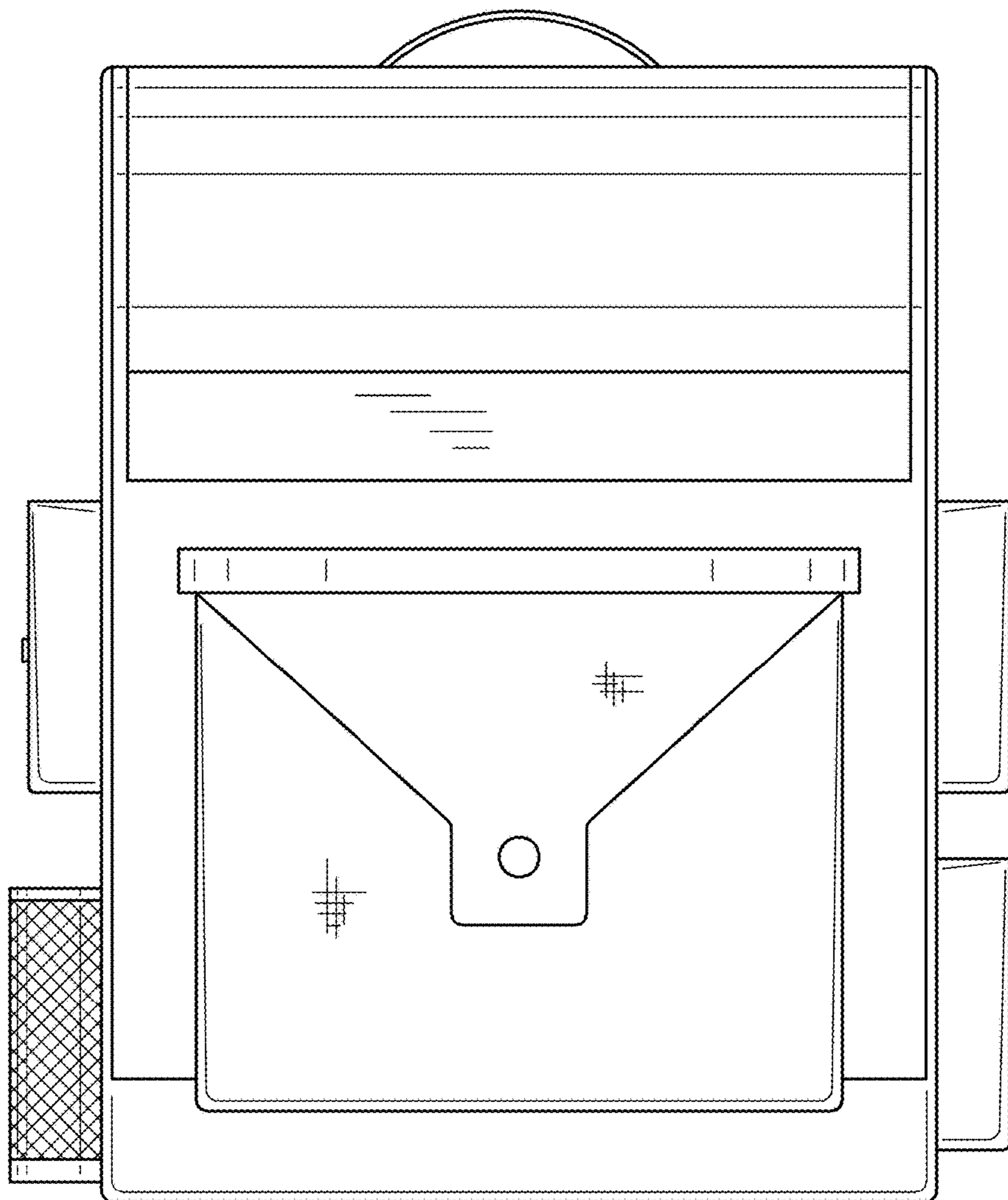


FIG. 1

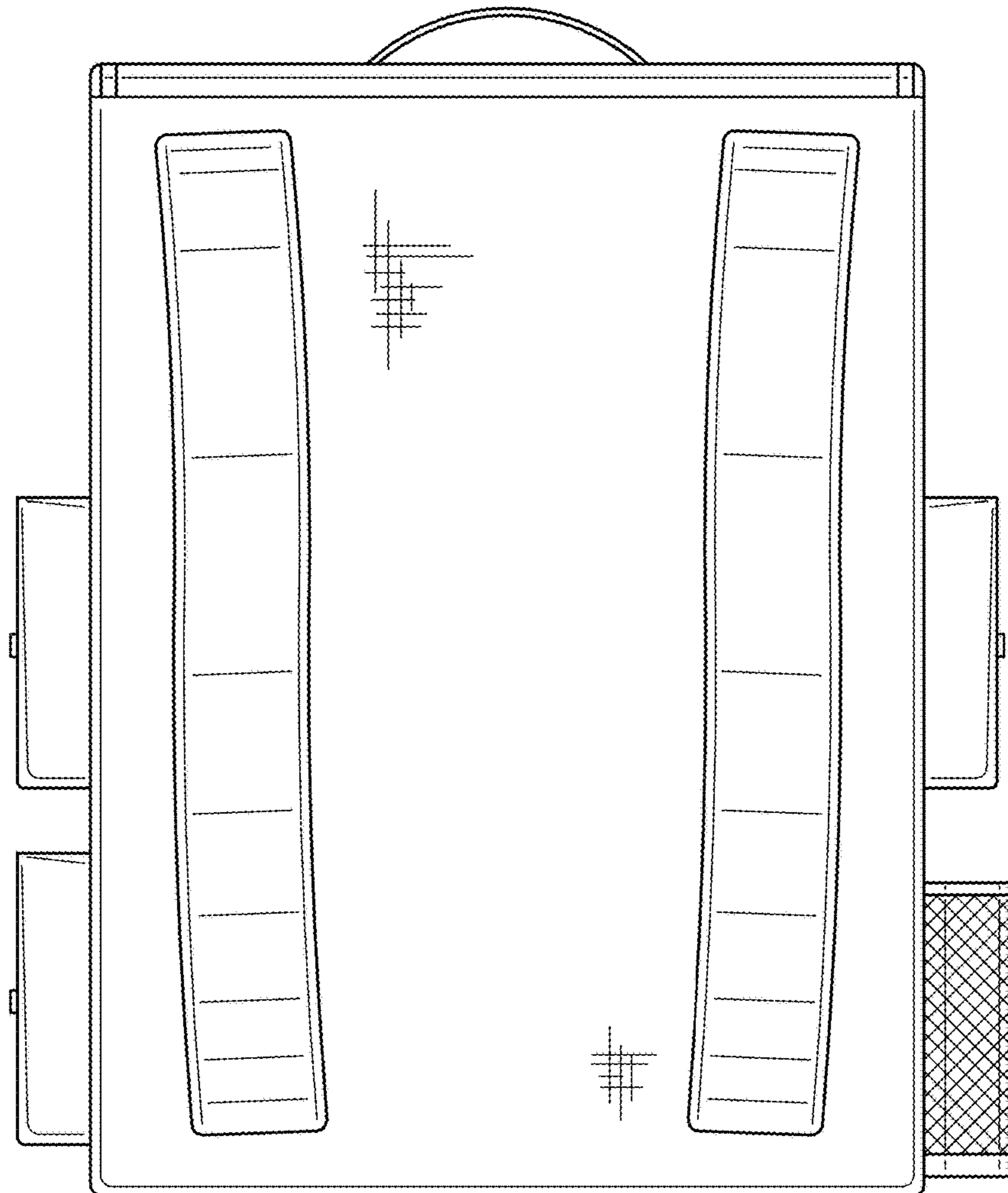


FIG. 2

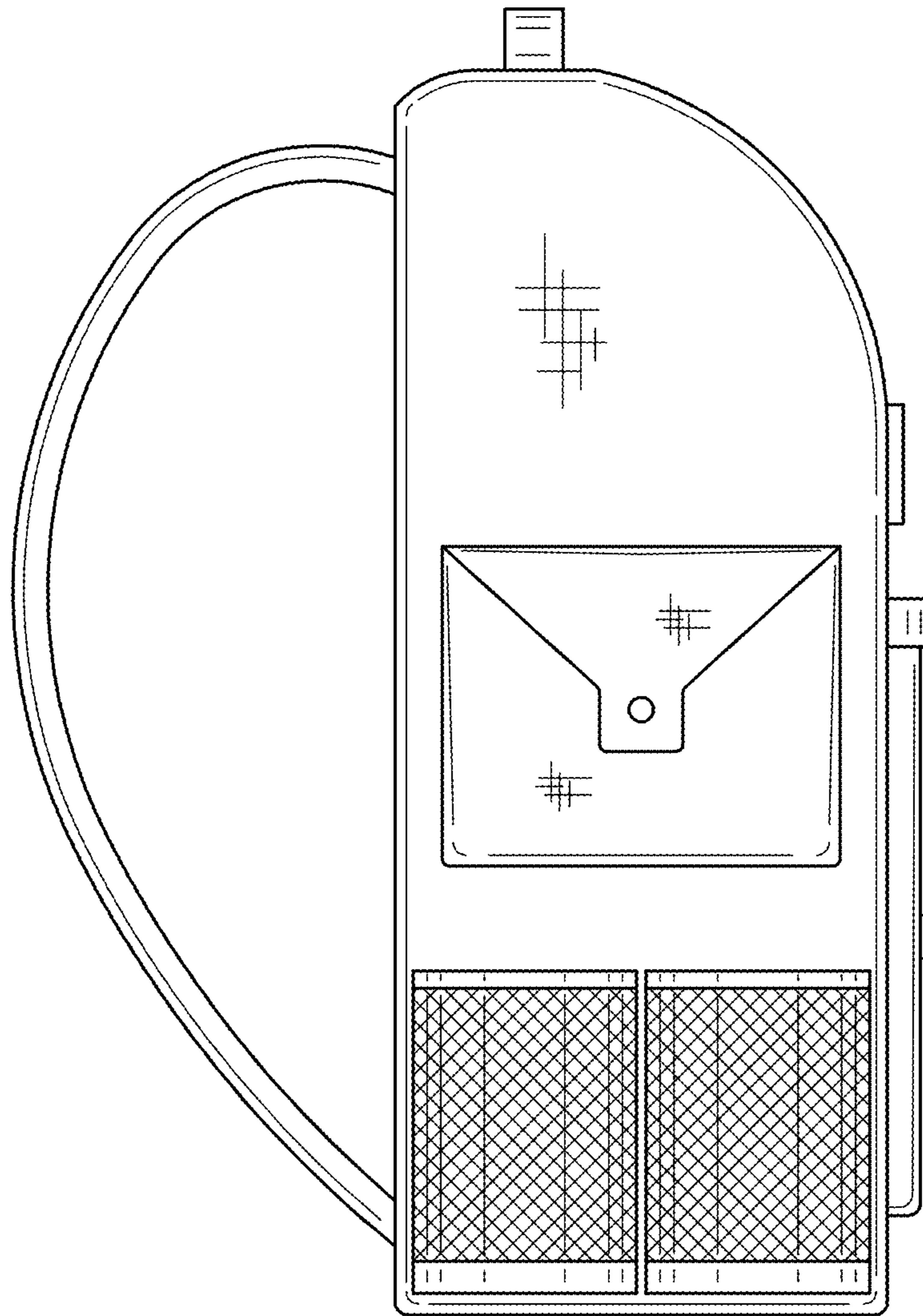


FIG. 3

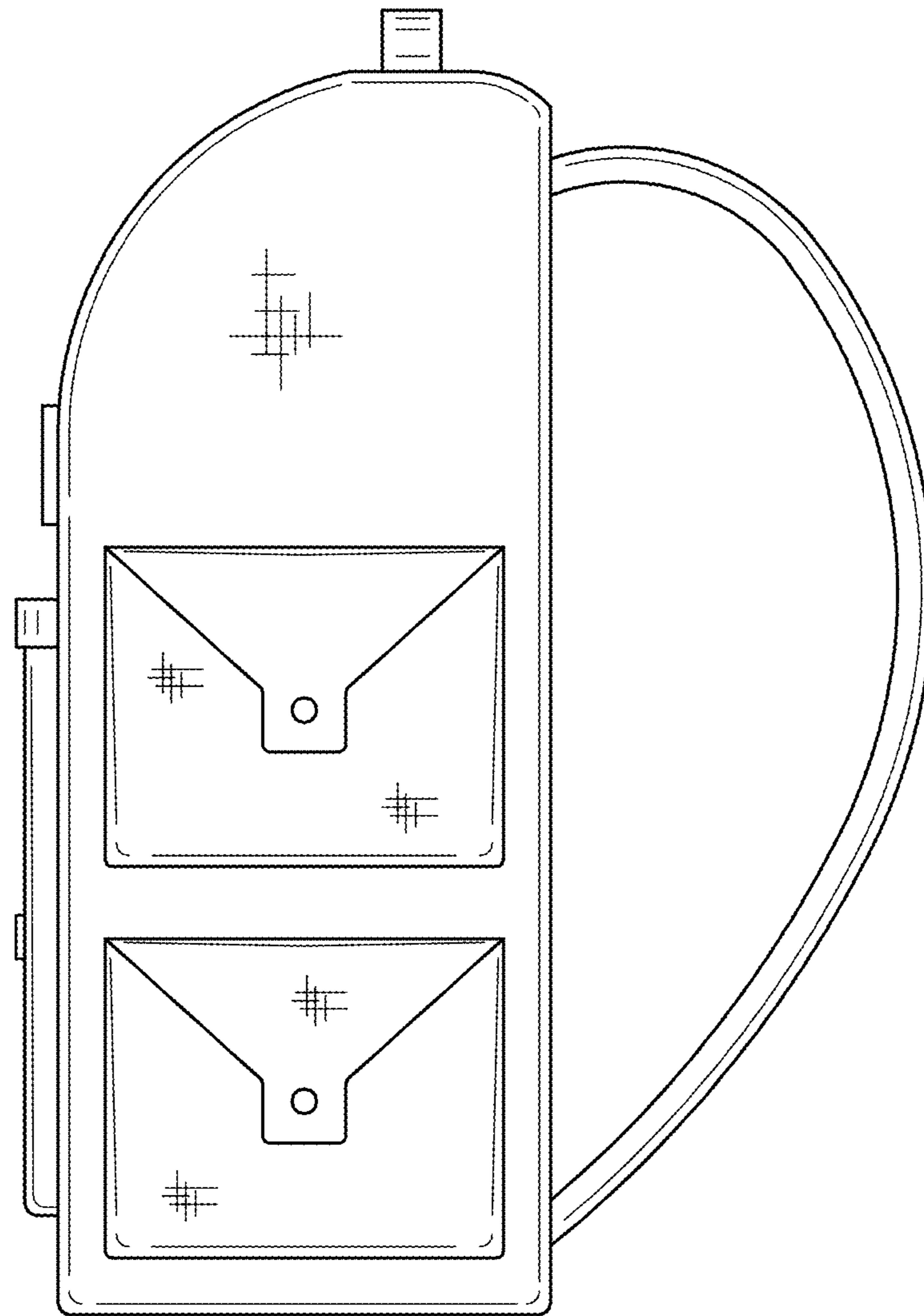


FIG. 4

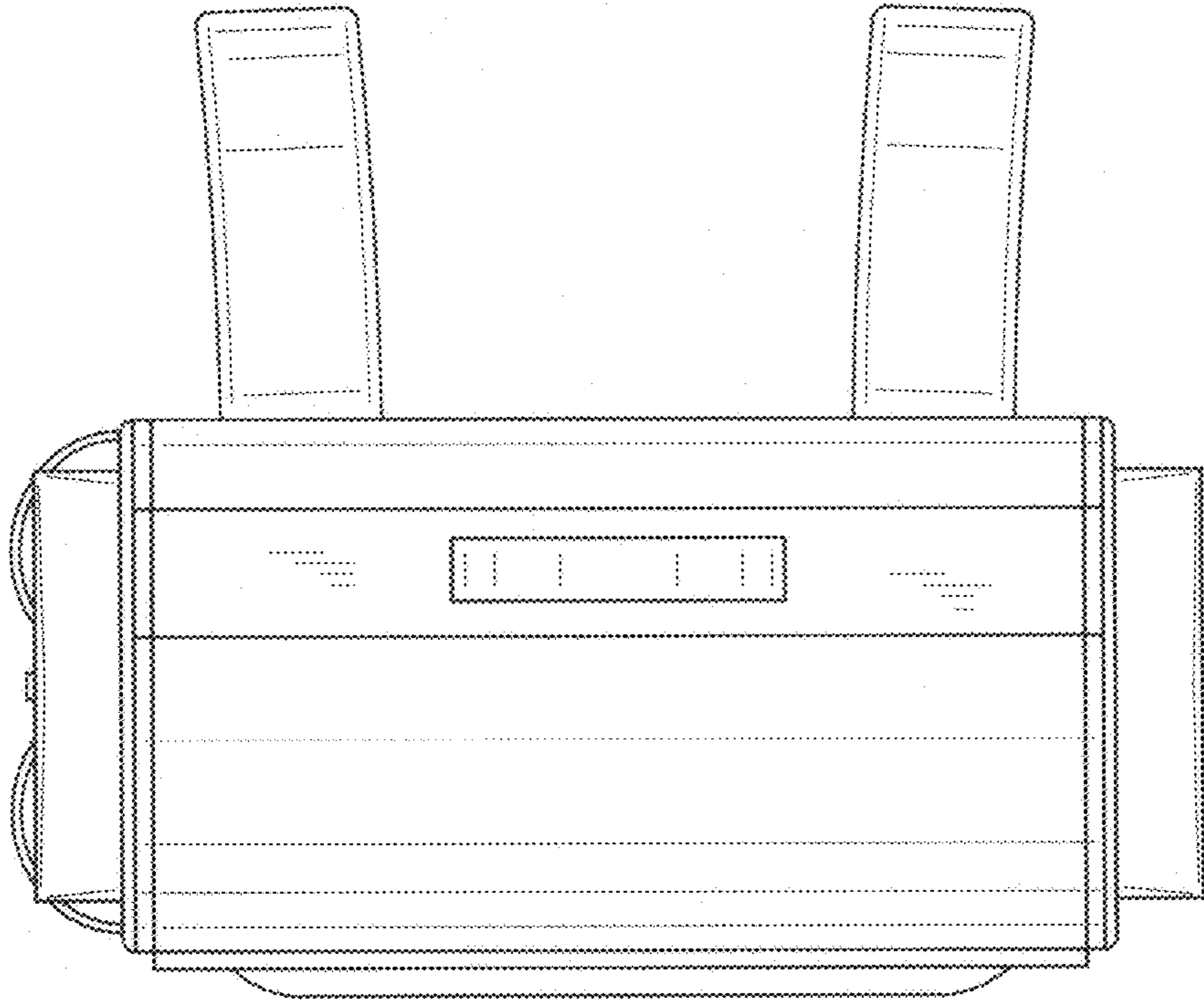


FIG. 5

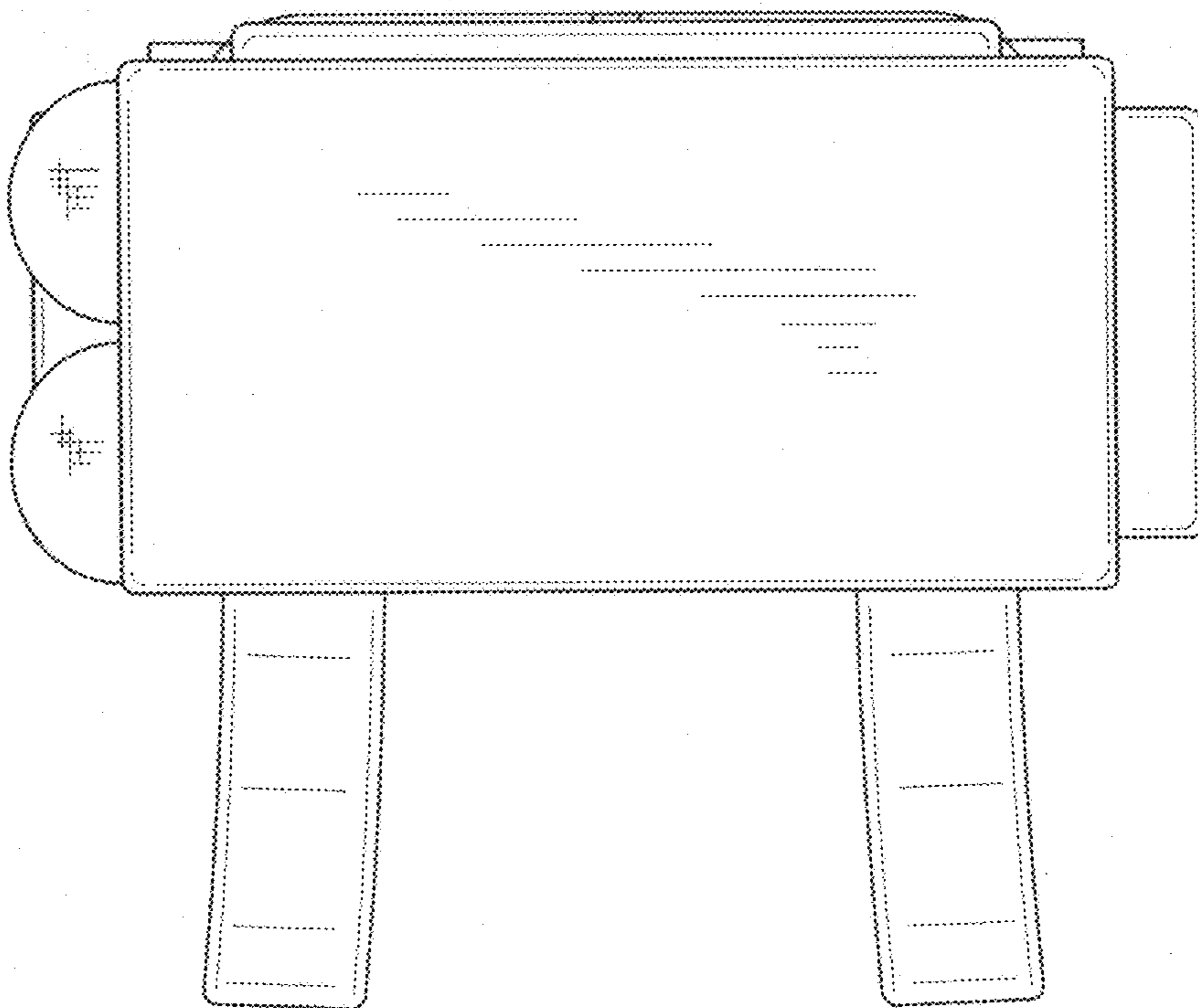


FIG. 6