



US00D781574S

(12) **United States Design Patent**  
**Bedford**

(10) **Patent No.:** **US D781,574 S**

(45) **Date of Patent:** **\*\* Mar. 21, 2017**

(54) **BACKPACK WITH HAT AND BOOT COMPARTMENTS**

(71) Applicant: **Earlynn Bedford**, Nampa, ID (US)

(72) Inventor: **Earlynn Bedford**, Nampa, ID (US)

(\*\*) Term: **14 Years**

(21) Appl. No.: **29/520,584**

(22) Filed: **Mar. 16, 2015**

(51) **LOC (10) Cl.** ..... **03-01**

(52) **U.S. Cl.**  
USPC ..... **D3/217**

(58) **Field of Classification Search**

USPC ..... D3/201, 213–219, 221, 224, 225, 229,  
D3/230, 232, 243–246, 254, 318

CPC ..... A45F 3/04; A45F 4/02; A45F 2200/0525;  
A45F 2003/045; A45F 3/08; A45C 11/00;  
A45C 13/30; A45C 2011/002; A45C  
2011/003; A45C 2011/001; A45C 15/00

See application file for complete search history.

(56) **References Cited**

**U.S. PATENT DOCUMENTS**

4,884,731 A 12/1989 Sibley  
D308,602 S \* 6/1990 St. Pierre ..... 206/579  
4,979,658 A 12/1990 Baker

(Continued)

**OTHER PUBLICATIONS**

Hacksack® Equestrian Bag, <http://www.hacksack.com/>, at least as early as Mar. 17, 2014, pp. 1-3.

(Continued)

*Primary Examiner* — George D Kirschbaum

*Assistant Examiner* — Jennifer Watkins

(74) *Attorney, Agent, or Firm* — Pedersen and Company, PLLC; Ken J. Pedersen; Barbara S. Pedersen

(57) **CLAIM**

The ornamental design for a backpack with hat and boot compartments, as shown and described.

**DESCRIPTION**

FIG. 1 is a perspective view of a backpack with hat and boot compartments.

FIG. 2 is a front view of the backpack with hat and boot compartments of FIG. 1.

FIG. 3 is a back view of the backpack with hat and boot compartments of FIG. 1.

FIG. 4 is a left side view of the backpack with hat and boot compartments of FIG. 1.

FIG. 5 is a right side view of the backpack with hat and boot compartments of FIG. 1.

FIG. 6 is a top view of the backpack with hat and boot compartments of FIG. 1.

FIG. 7 is a bottom view of the backpack with hat and boot compartments of FIG. 1.

FIG. 8 is a perspective view of another embodiment of a backpack with hat and boot compartments.

FIG. 9 is a front view of the backpack with hat and boot compartments of FIG. 8.

FIG. 10 is a back view of the backpack with hat and boot compartments of FIG. 8.

FIG. 11 is a left side view of the backpack with hat and boot compartments of FIG. 8.

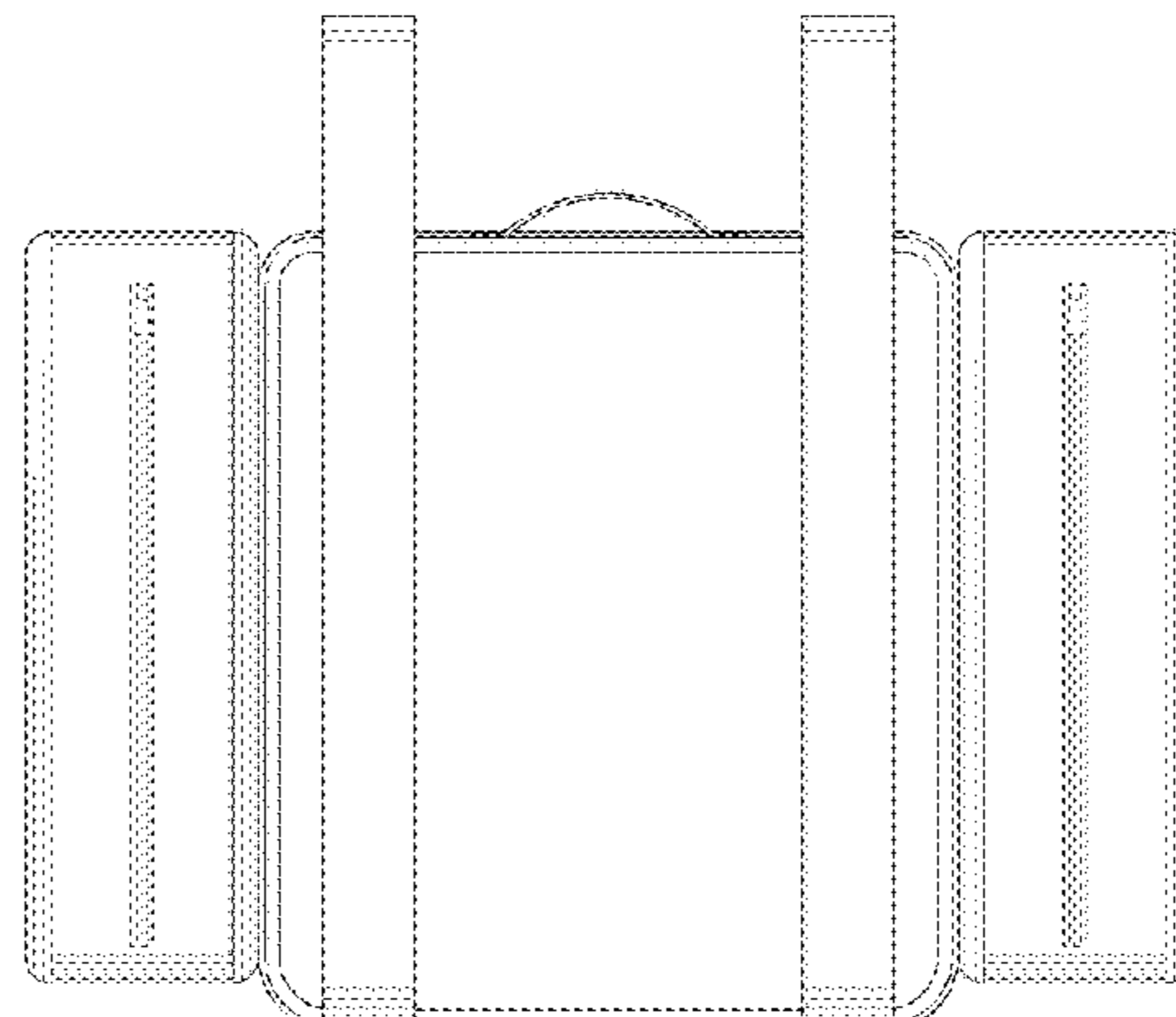
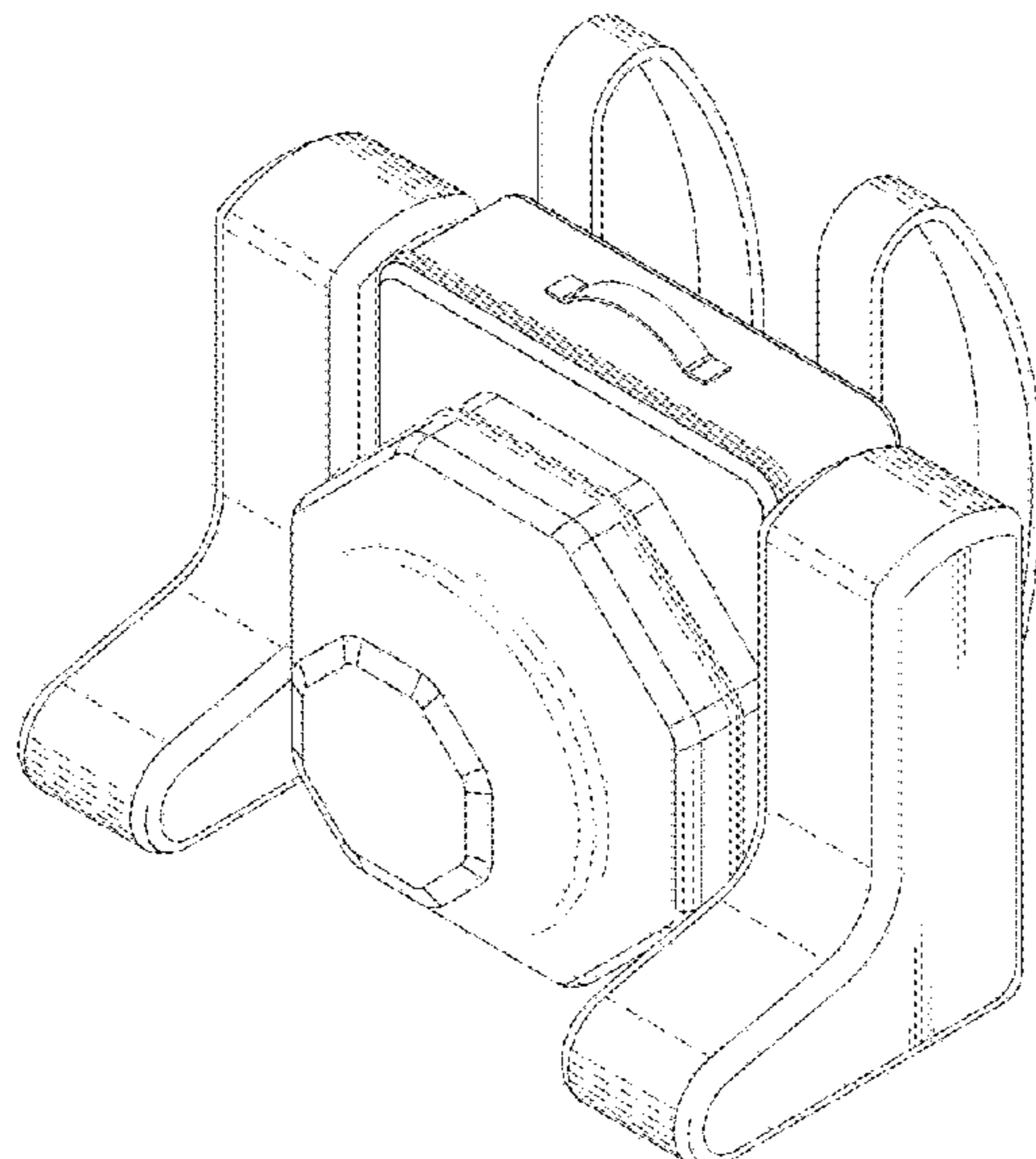
FIG. 12 is a right side view of the backpack with hat and boot compartments of FIG. 8.

FIG. 13 is a top view of the backpack with hat and boot compartments of FIG. 8; and,

FIG. 14 is a bottom view of the backpack with hat and boot compartments of FIG. 8.

The broken lines of the drawings are for the purpose of illustrating portions of a backpack with hat and boot compartments that form no part of the claim.

**1 Claim, 14 Drawing Sheets**



(56)

**References Cited**

U.S. PATENT DOCUMENTS

D345,049	S *	3/1994	Pollack	.....	D3/217
D367,173	S *	2/1996	Trihus	.....	D3/216
5,497,922	A	3/1996	Tate		
5,826,771	A *	10/1998	Peng	.....	A45F 3/04 224/645
5,881,708	A *	3/1999	Kliot	.....	A43B 5/0425 224/582
D413,201	S *	8/1999	Tavernier	.....	D3/261
D423,210	S *	4/2000	Zakarin	.....	D3/217
D471,012	S *	3/2003	Peterson	.....	D3/254
6,869,219	B1	3/2005	Sala		
D547,063	S *	7/2007	Soetardjo	.....	D3/269
D609,459	S *	2/2010	Ferren	.....	D3/216
7,971,764	B2	7/2011	Sabbah		
D699,031	S *	2/2014	Clavette	.....	D3/216
D749,838	S *	2/2016	Romley	.....	D3/217
2002/0179664	A1 *	12/2002	Worden, IV	.....	A45C 3/12 224/586
2005/0168026	A1 *	8/2005	Kau	.....	A45C 15/00 297/256.16
2011/0180575	A1	7/2011	Abramowitz et al.		
2015/0053811	A1 *	2/2015	Murray	.....	A45F 5/02 242/588.1

OTHER PUBLICATIONS

Western Hat Can, Bing Images, <http://www.bing.com/images/search?q=western+hat+can&qs=n&form=QBIR&pq=western> . . . , Jun. 3, 2014.

\* cited by examiner

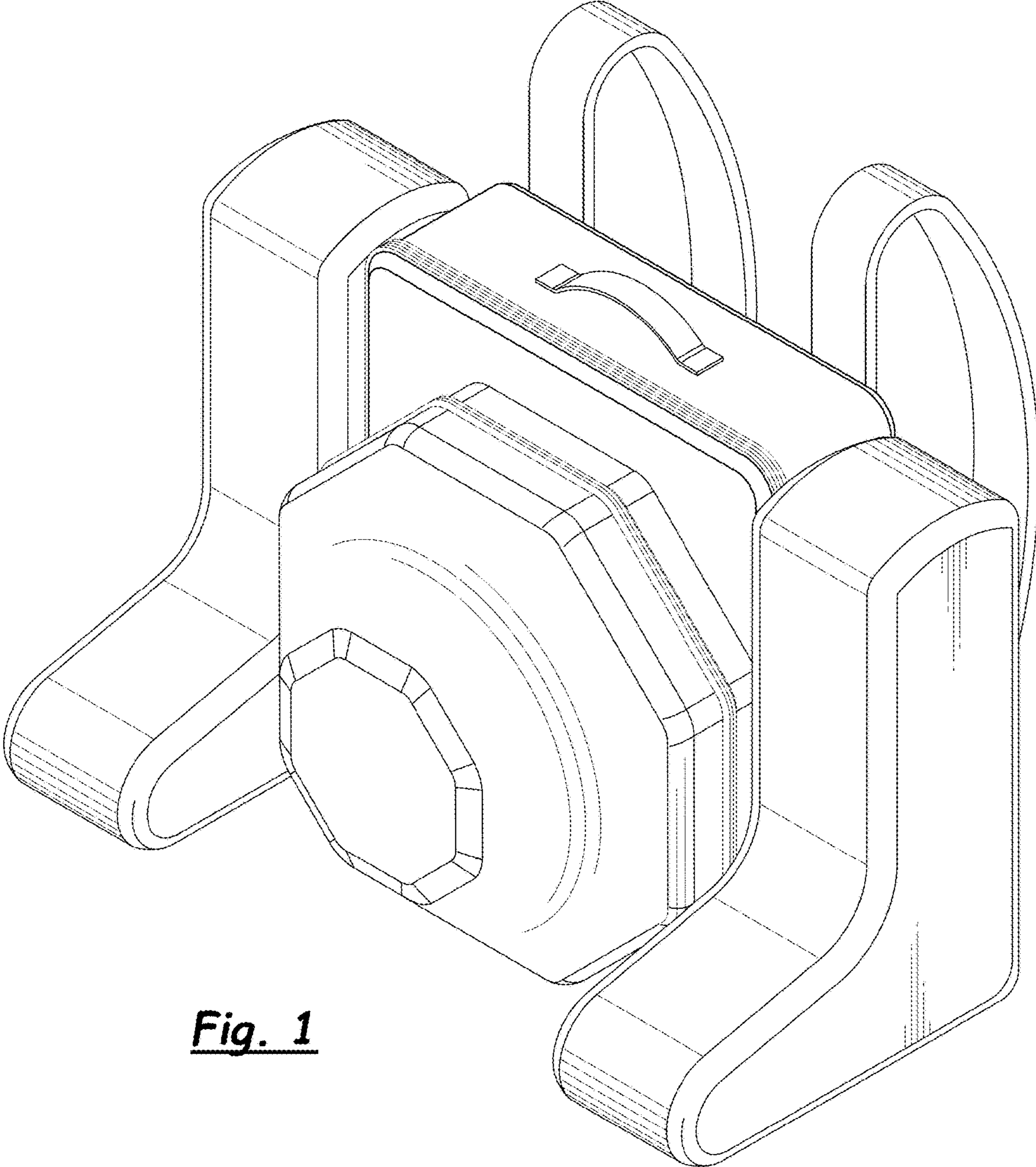


Fig. 1

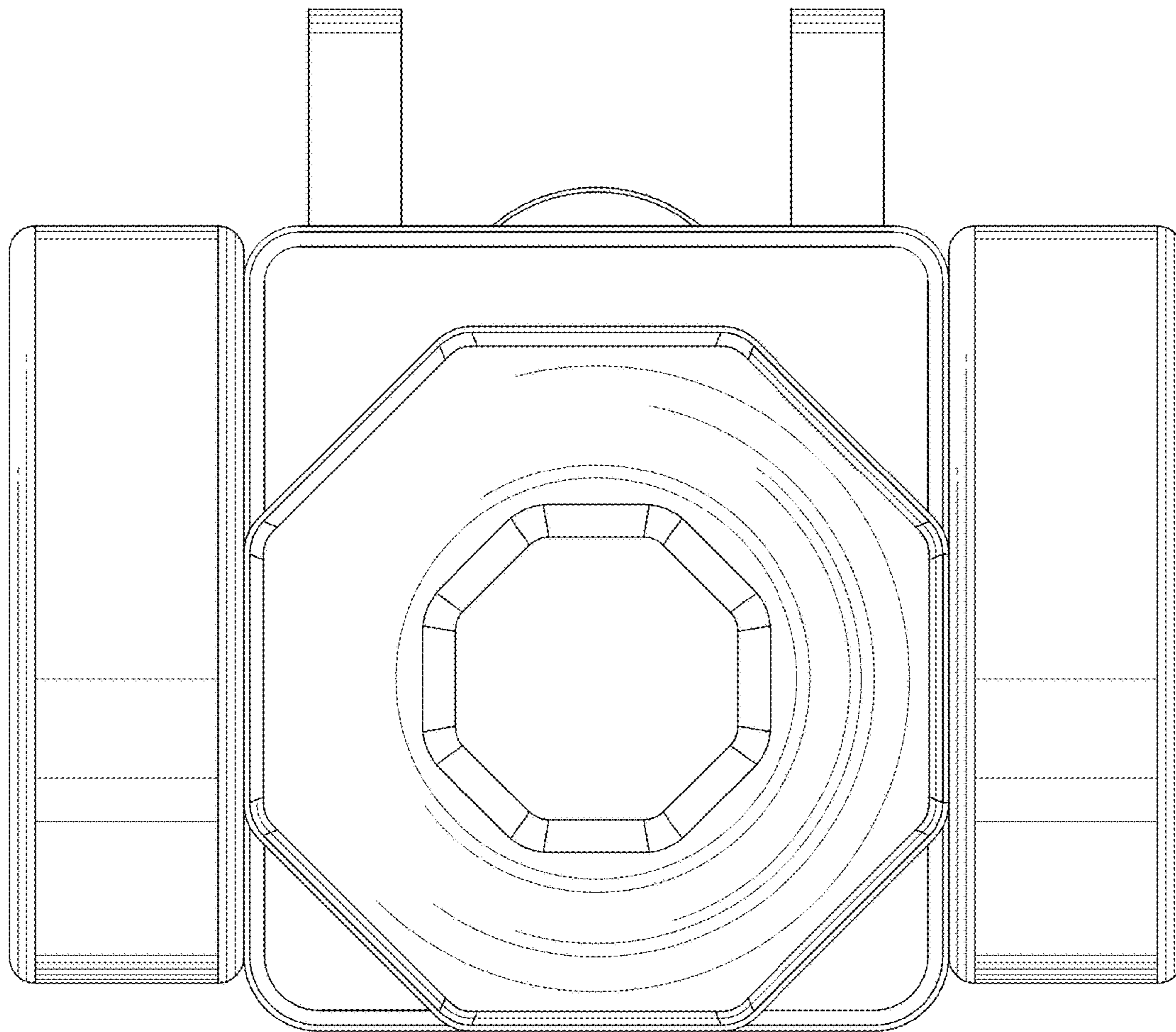


Fig. 2

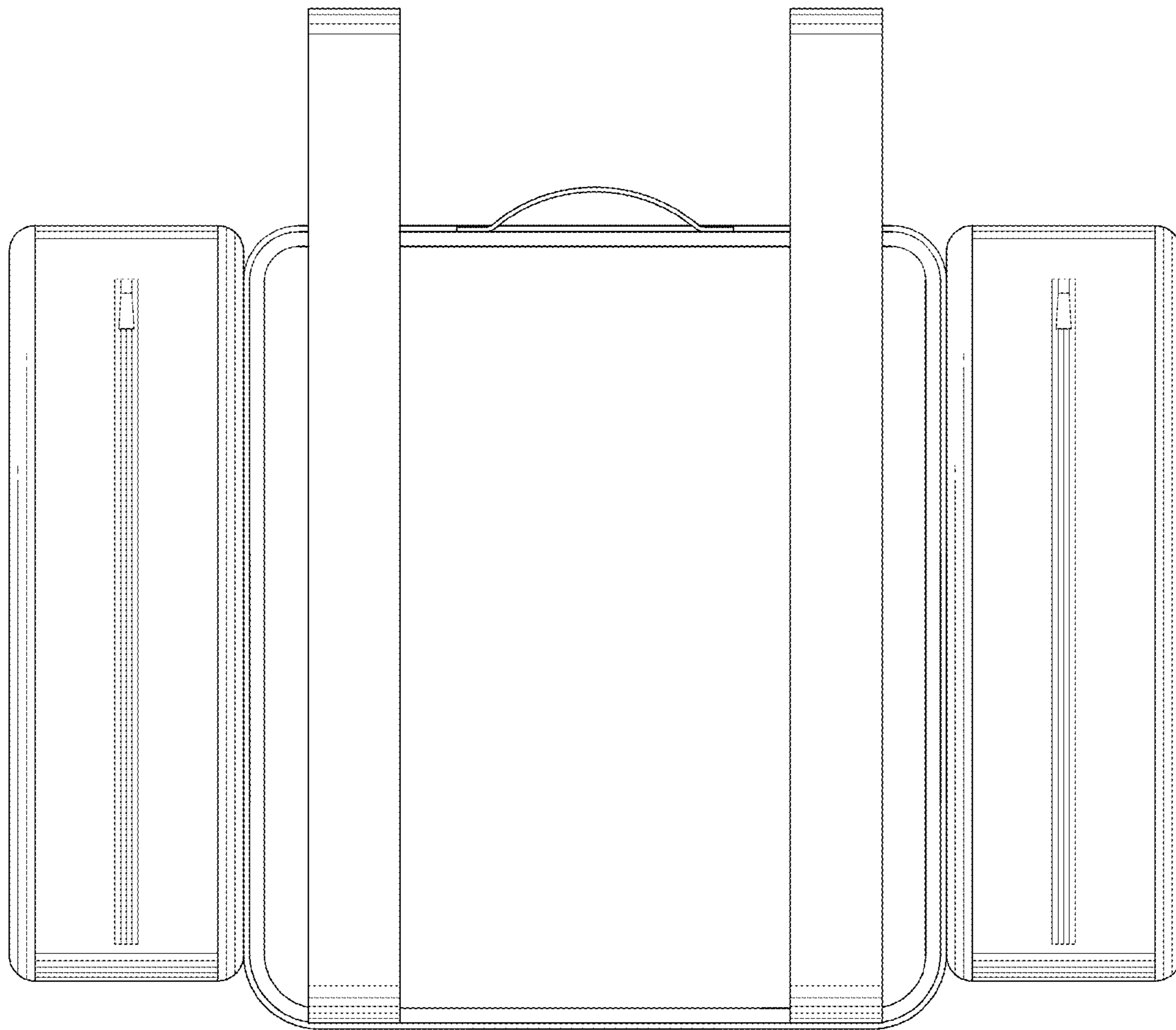


Fig. 3

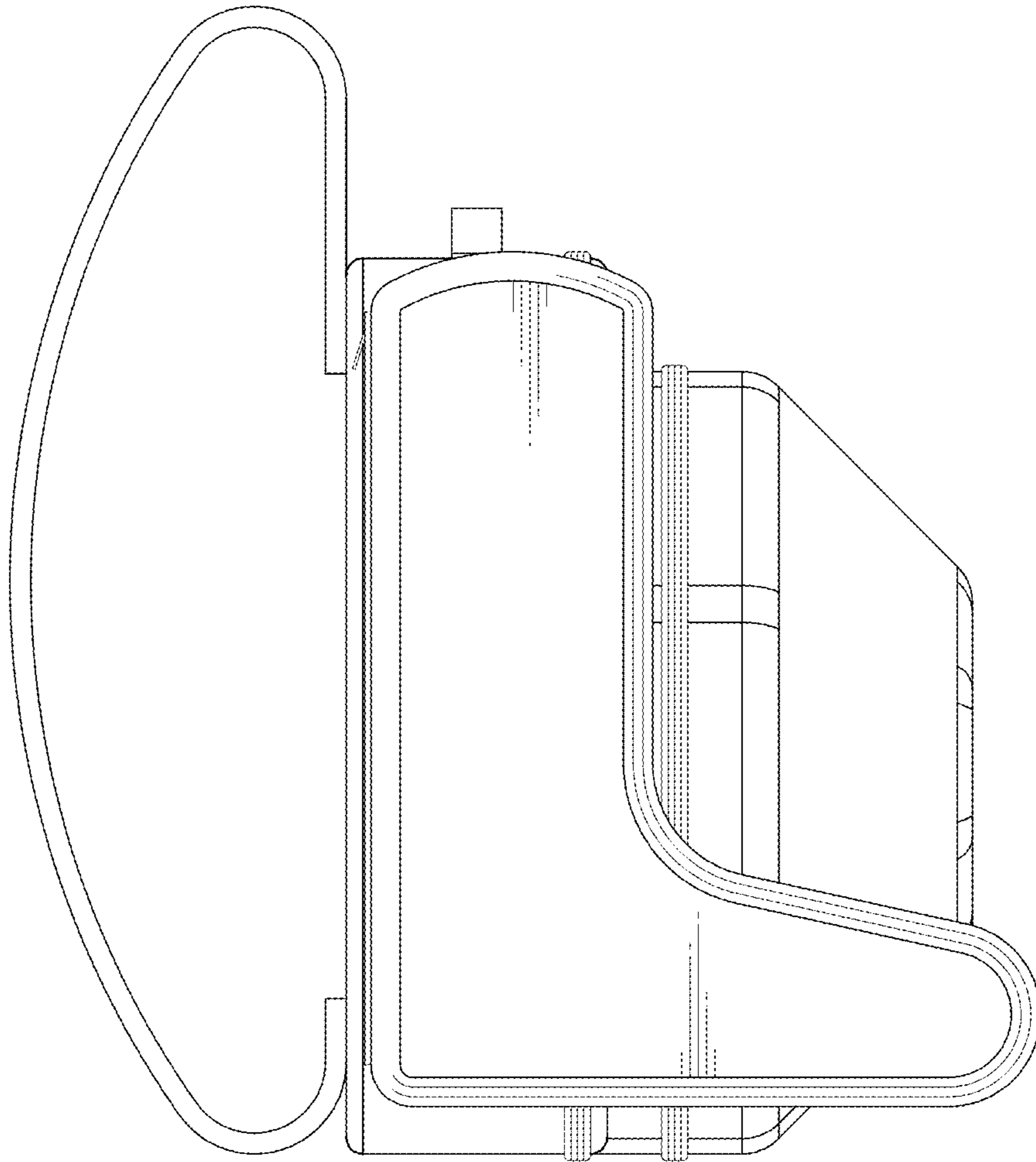


Fig. 4

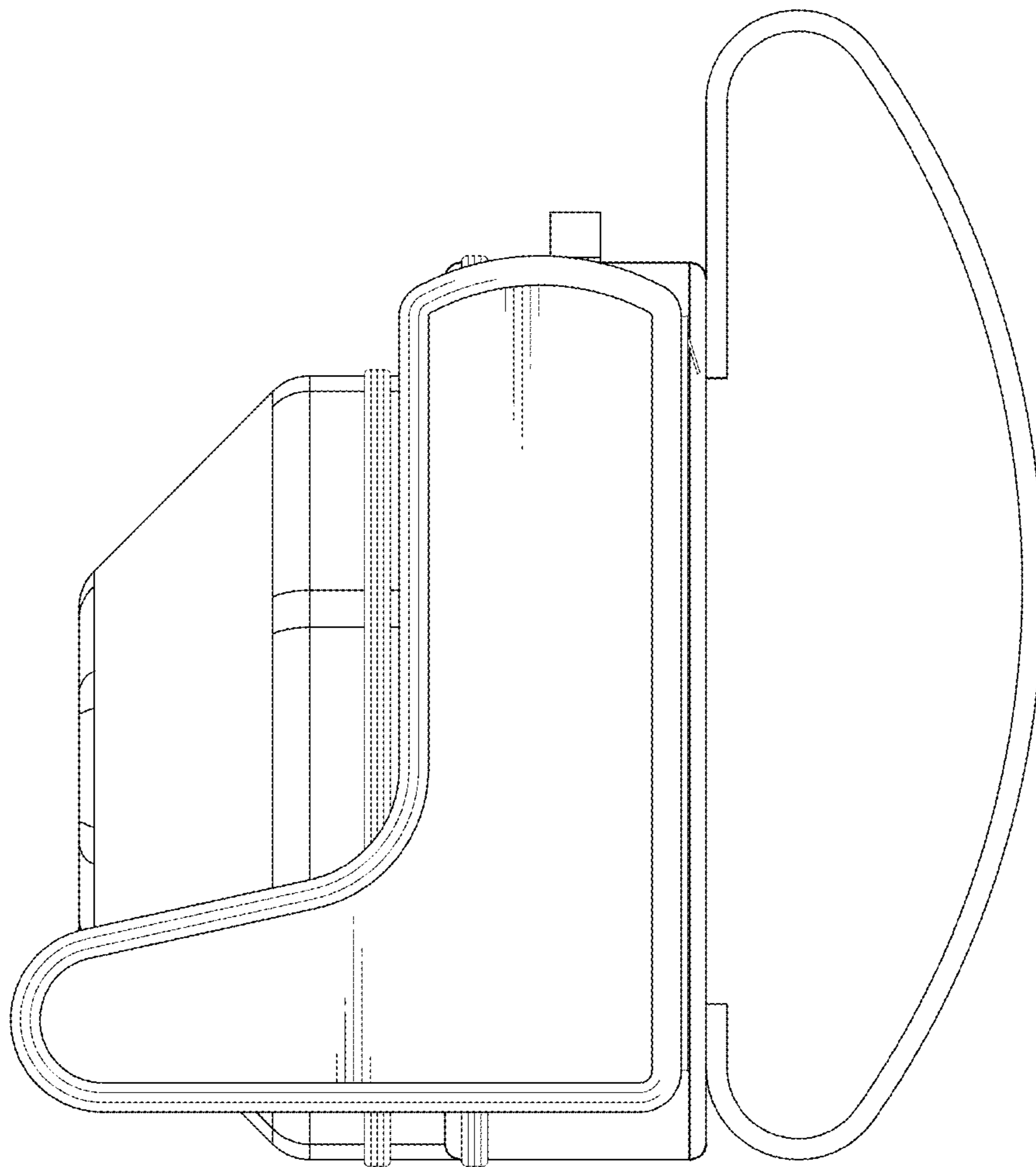


Fig. 5

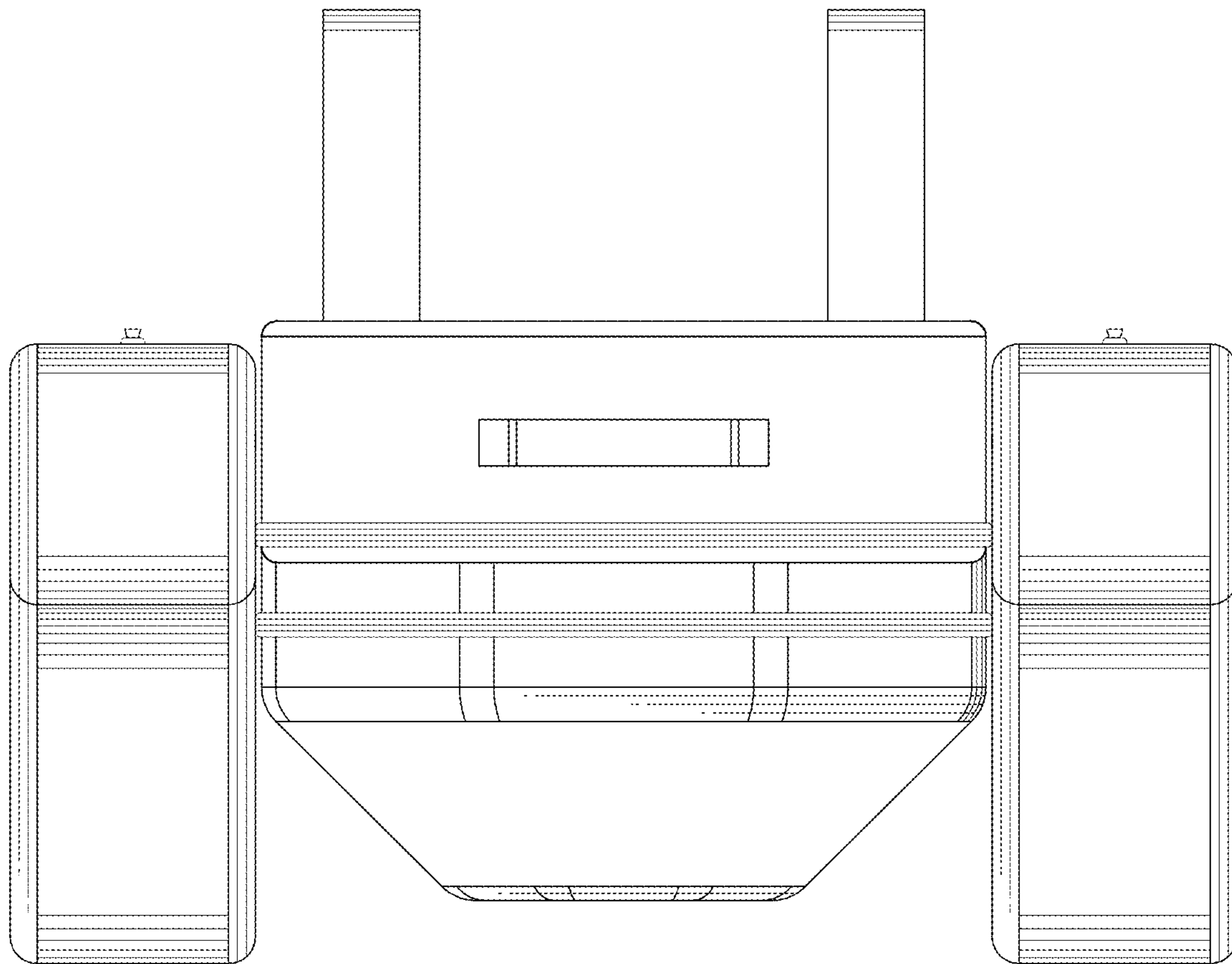


Fig. 6



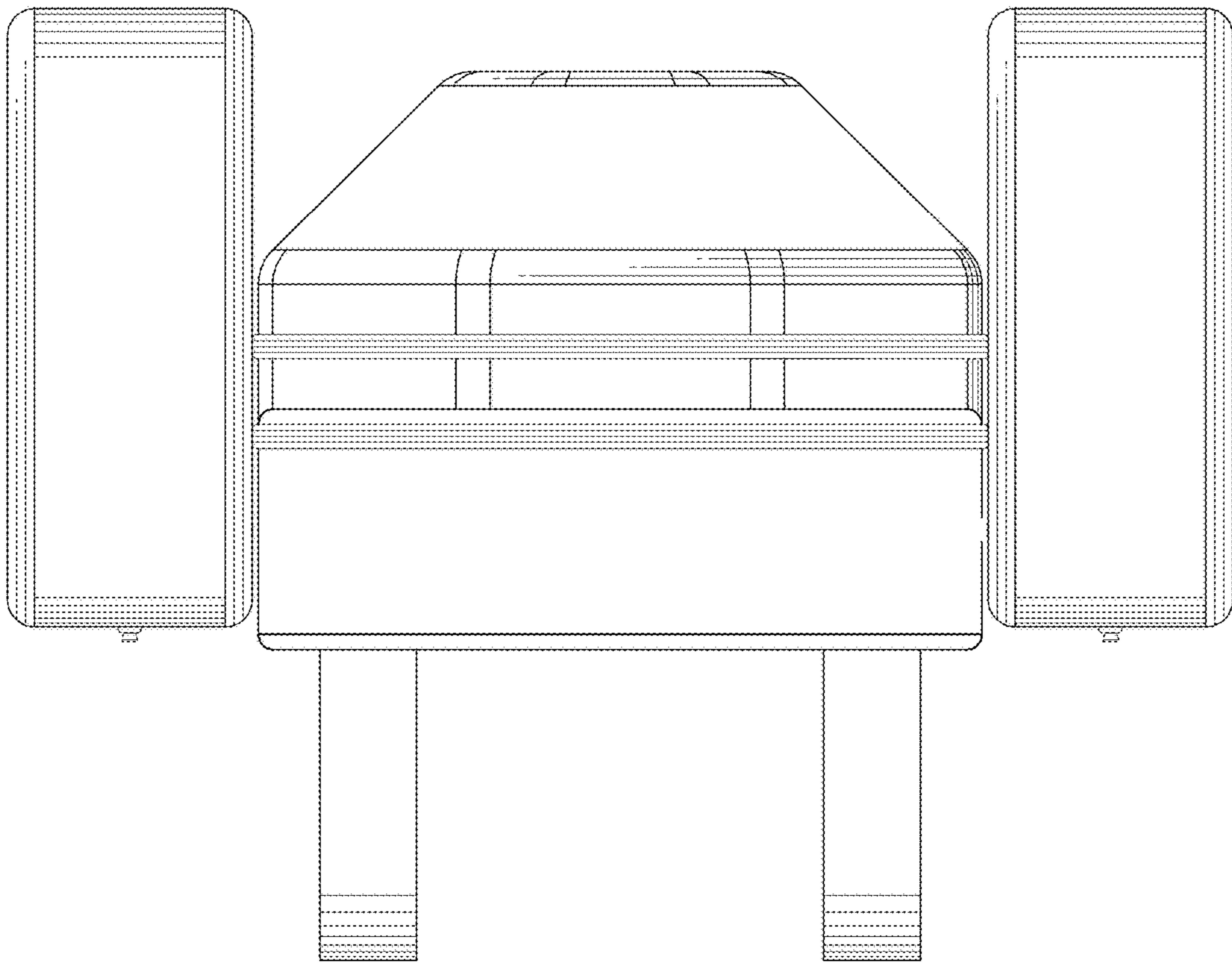


Fig. 7

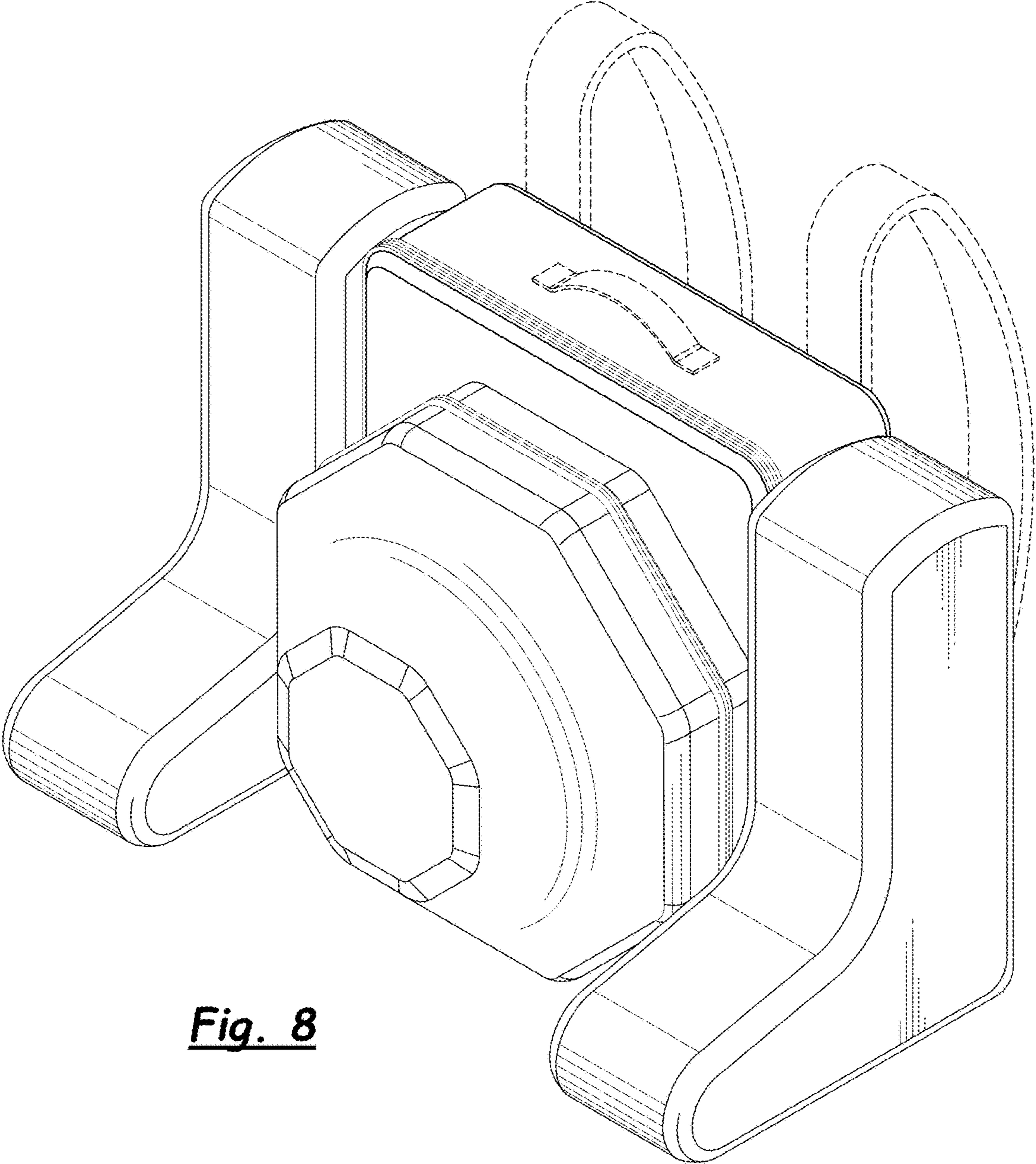


Fig. 8

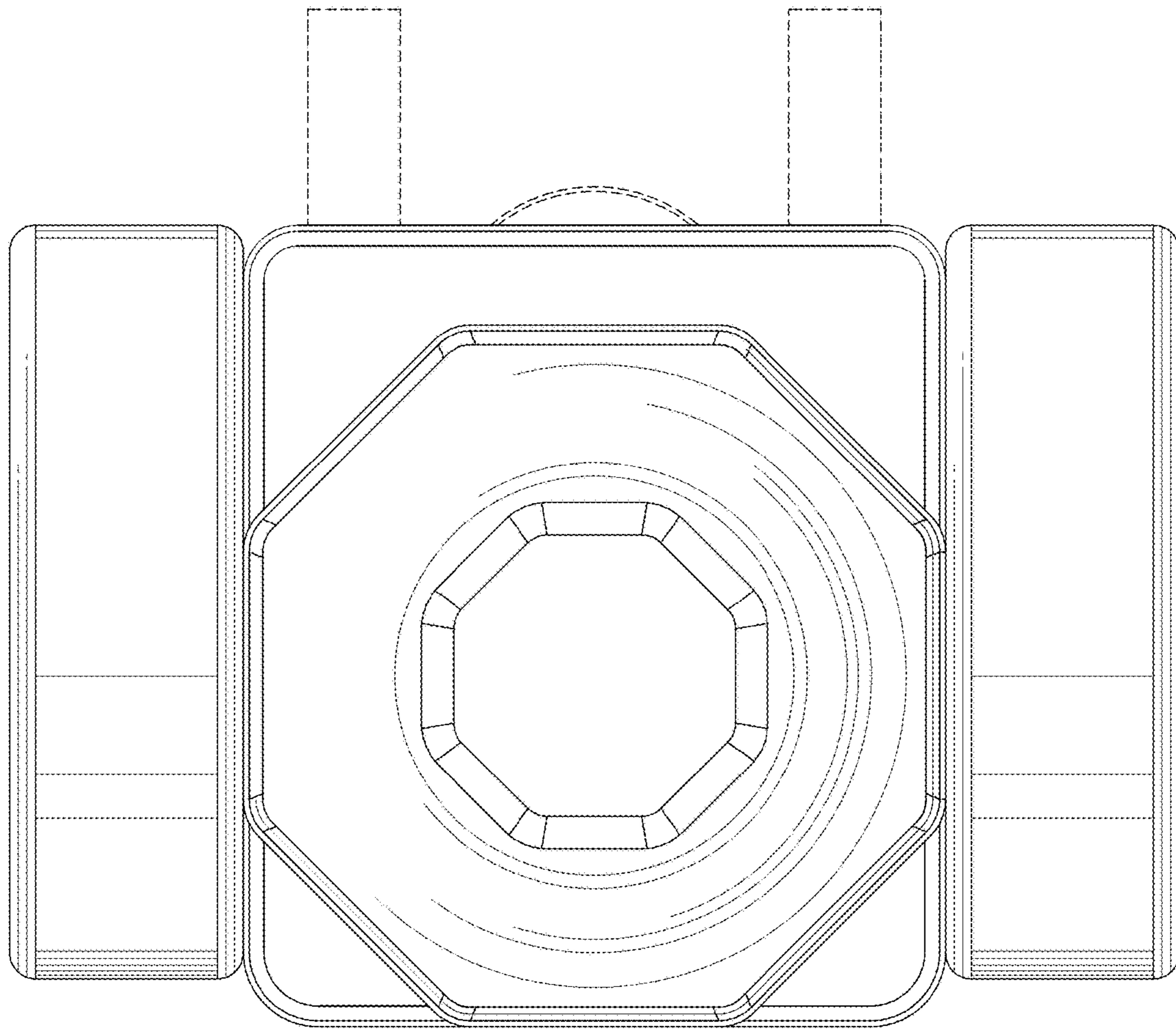


Fig. 9

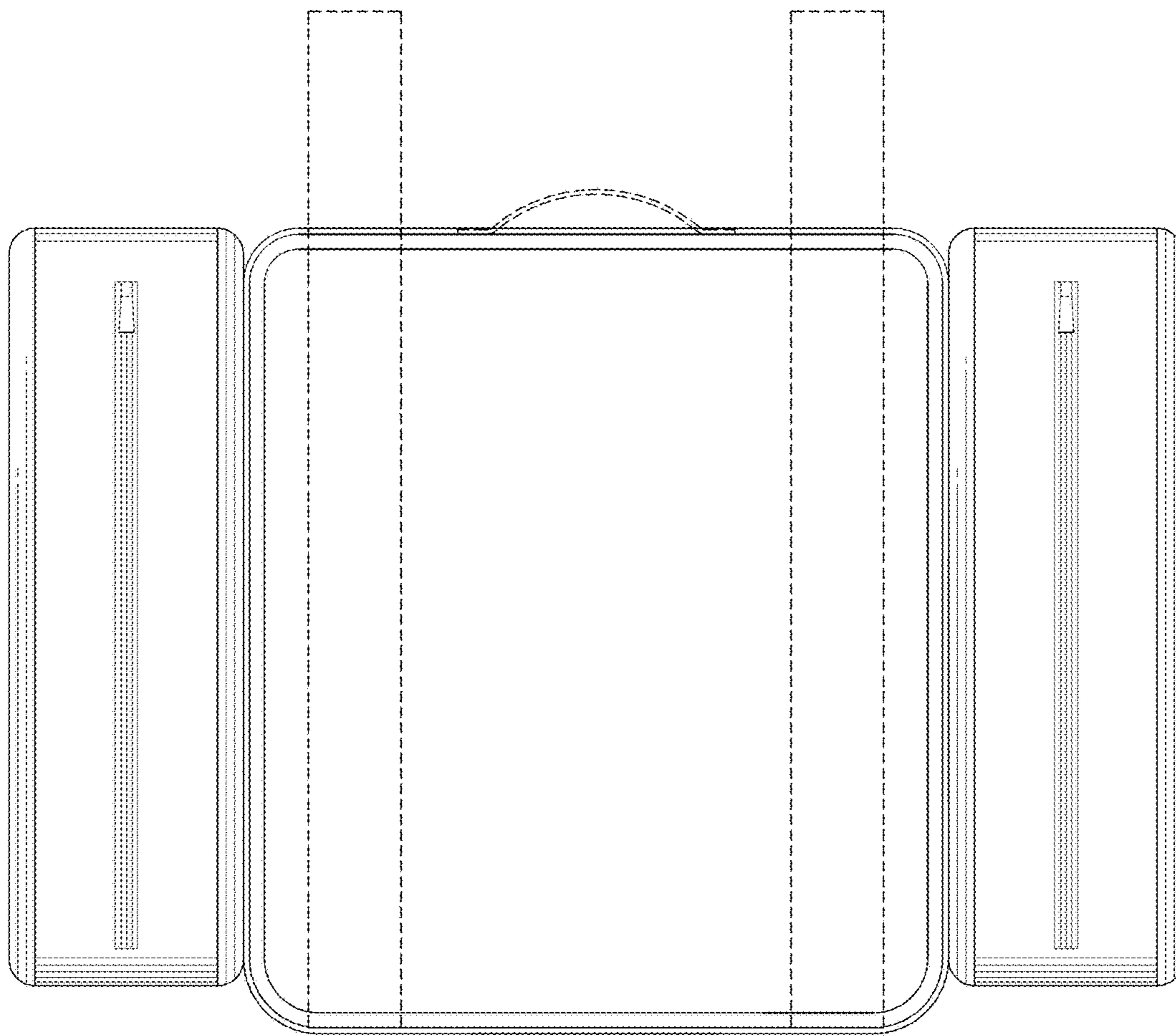
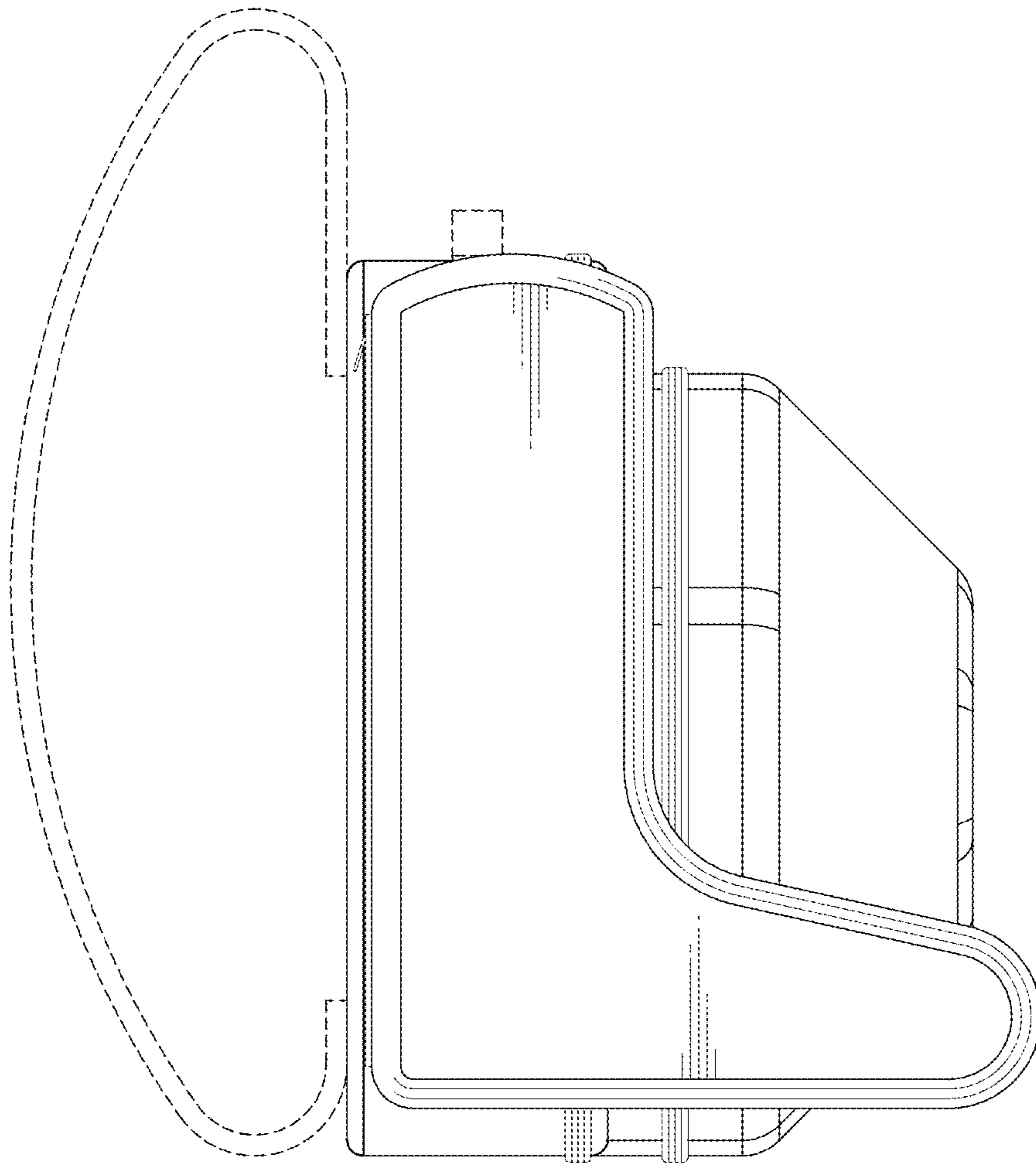
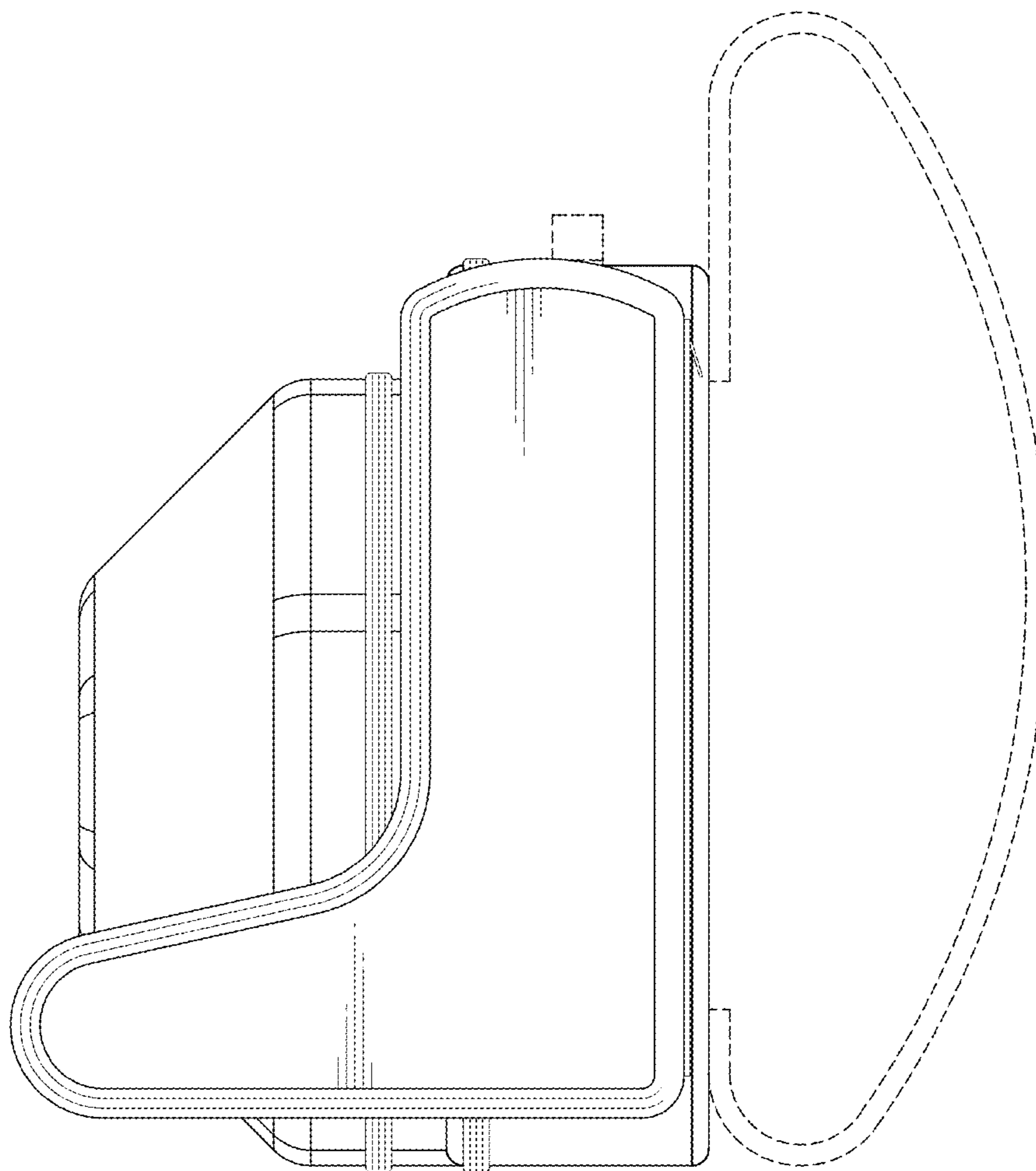


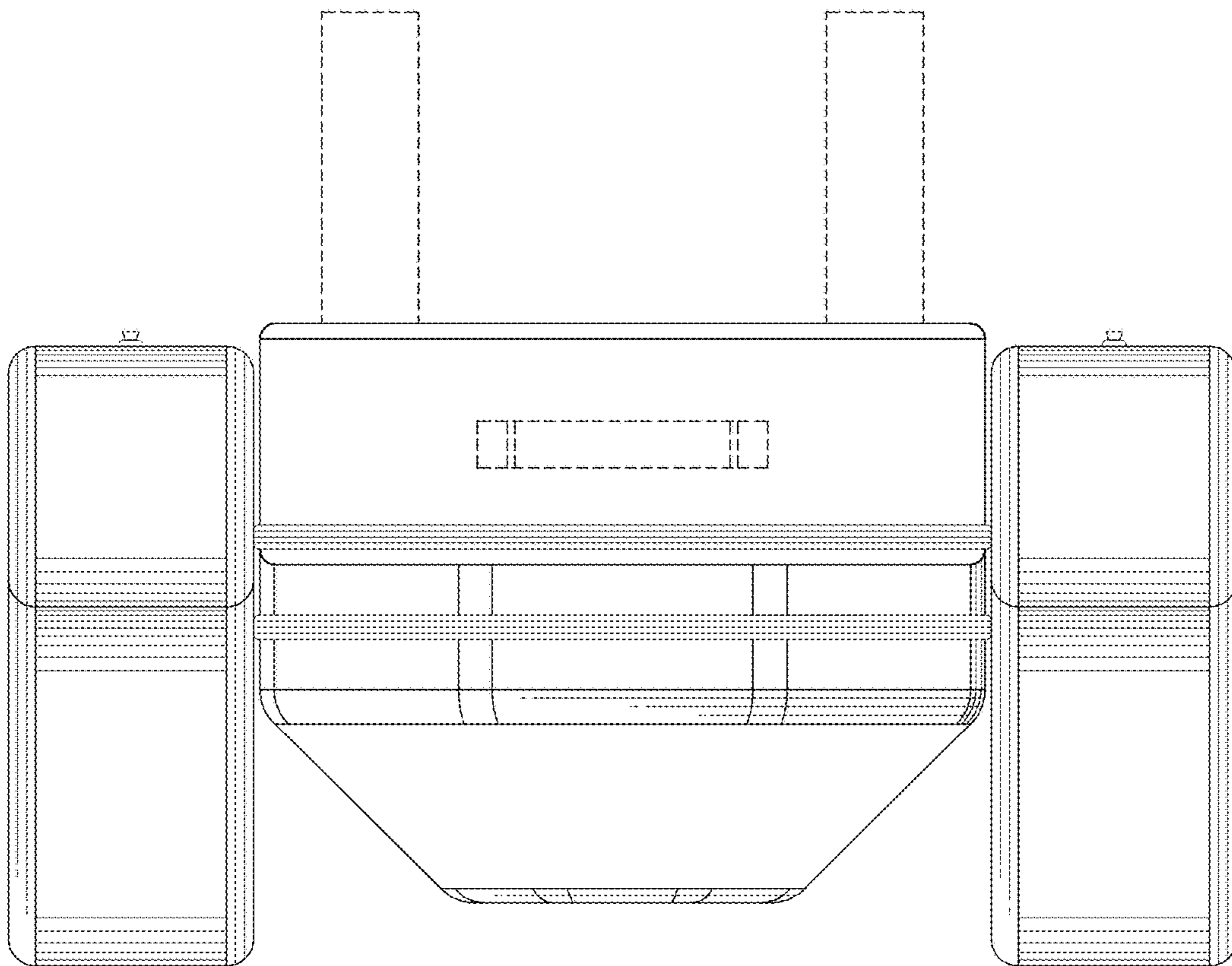
Fig. 10



**Fig. 11**



**Fig. 12**



**Fig. 13**

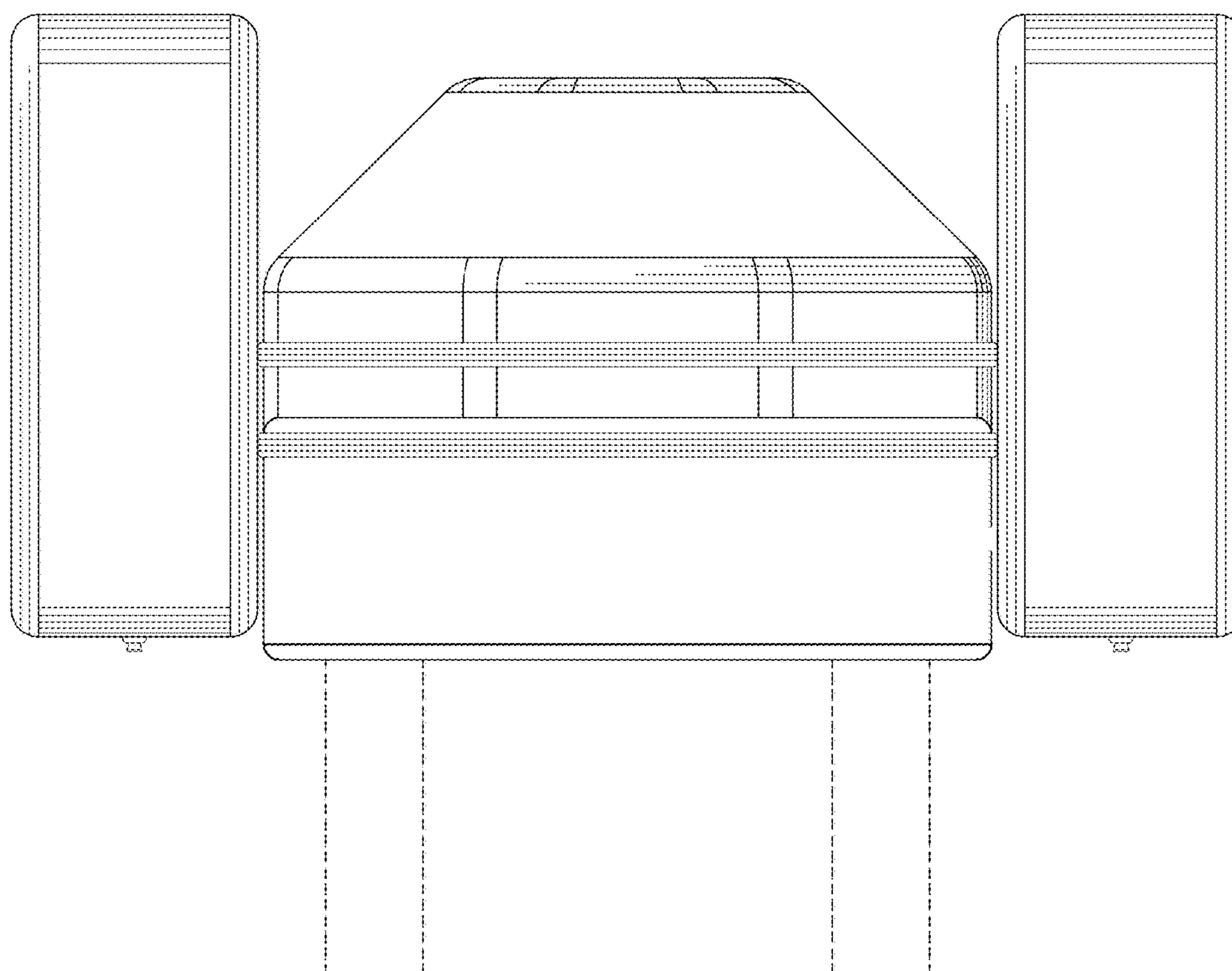


Fig. 14