



US00D781571S

(12) **United States Design Patent**
Moerer

(10) **Patent No.:** **US D781,571 S**
(45) **Date of Patent:** **** Mar. 21, 2017**

(54) **HOOK CLIP TO SUSPEND EYEWEAR OR OTHER ARTICLES**

(71) Applicant: **David J. Moerer**, Redding, CA (US)

(72) Inventor: **David J. Moerer**, Redding, CA (US)

(**) Term: **15 Years**

(21) Appl. No.: **29/543,384**

(22) Filed: **Oct. 23, 2015**

(51) **LOC (10) Cl.** **03-01**

(52) **U.S. Cl.**

USPC **D3/215**; D3/266; D8/395

(58) **Field of Classification Search**

USPC D3/214–217, 221, 224, 226, 231, 247,
D3/265–268, 300, 303, 229–230,
D3/207–212, 218–219; D2/610, 614,
D2/624, 626–627, 629; D8/367, 371,
D8/394, 395

CPC A41F 1/00; A41F 9/00; A41F 9/002; A41F
9/02; A41F 9/025; A41F 17/02; A45F
3/00; A45F 3/005; A45F 3/006; A45F
5/02; A45F 5/021; A45F 5/022; A45F
5/06; A45C 1/04; D06F 55/00

See application file for complete search history.

(56) **References Cited**

U.S. PATENT DOCUMENTS

D26,680 S *	2/1897	Faatz	D8/371
928,006 A *	7/1909	Thomas	A45F 5/02 24/3.6
1,215,283 A *	2/1917	Kirkland	A45F 5/02 24/3.12
1,418,979 A *	6/1922	Seferlis	A45F 5/02 24/3.12
2,869,198 A *	1/1959	Clevett, Jr.	A45F 5/021 24/3.12
5,842,613 A *	12/1998	White	A45F 5/02 206/478

(Continued)

FOREIGN PATENT DOCUMENTS

ES EP 2586328 A1 * 5/2013 A45F 5/02

OTHER PUBLICATIONS

Snake Bite, The Snake Hook Key Loop Pocket Clip, as posted on SnakeBite [online], no posting date available [site visited Nov. 16, 2016]. Available from the Internet, <URL: <https://snakebiteco.com/products/snake-hook-brass-ring>>.*

Primary Examiner — Jeffrey D Asch

Assistant Examiner — Rebekah A Caruso

(74) *Attorney, Agent, or Firm* — Heisler & Associate

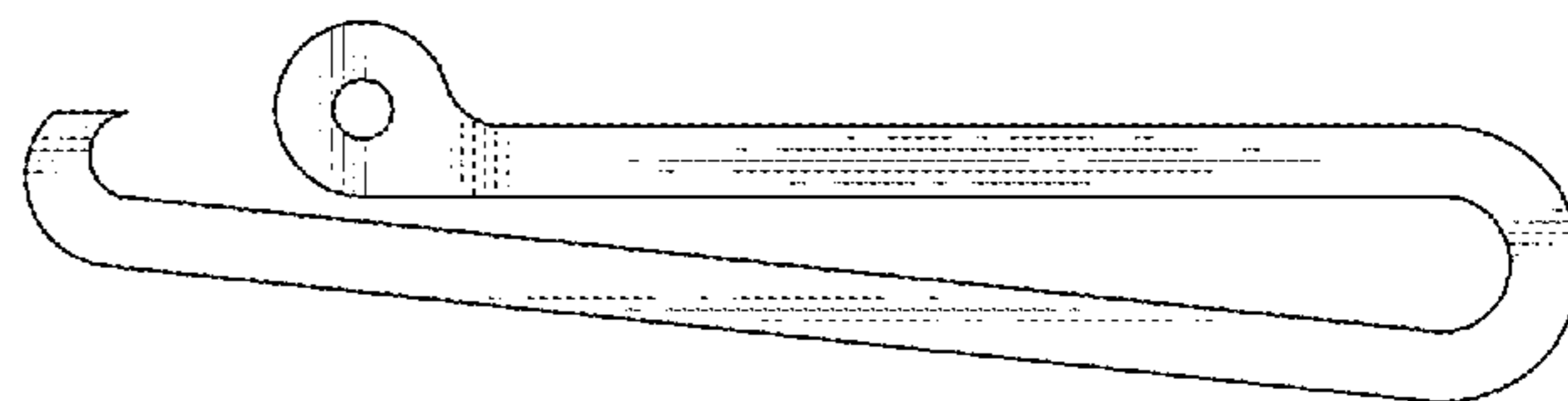
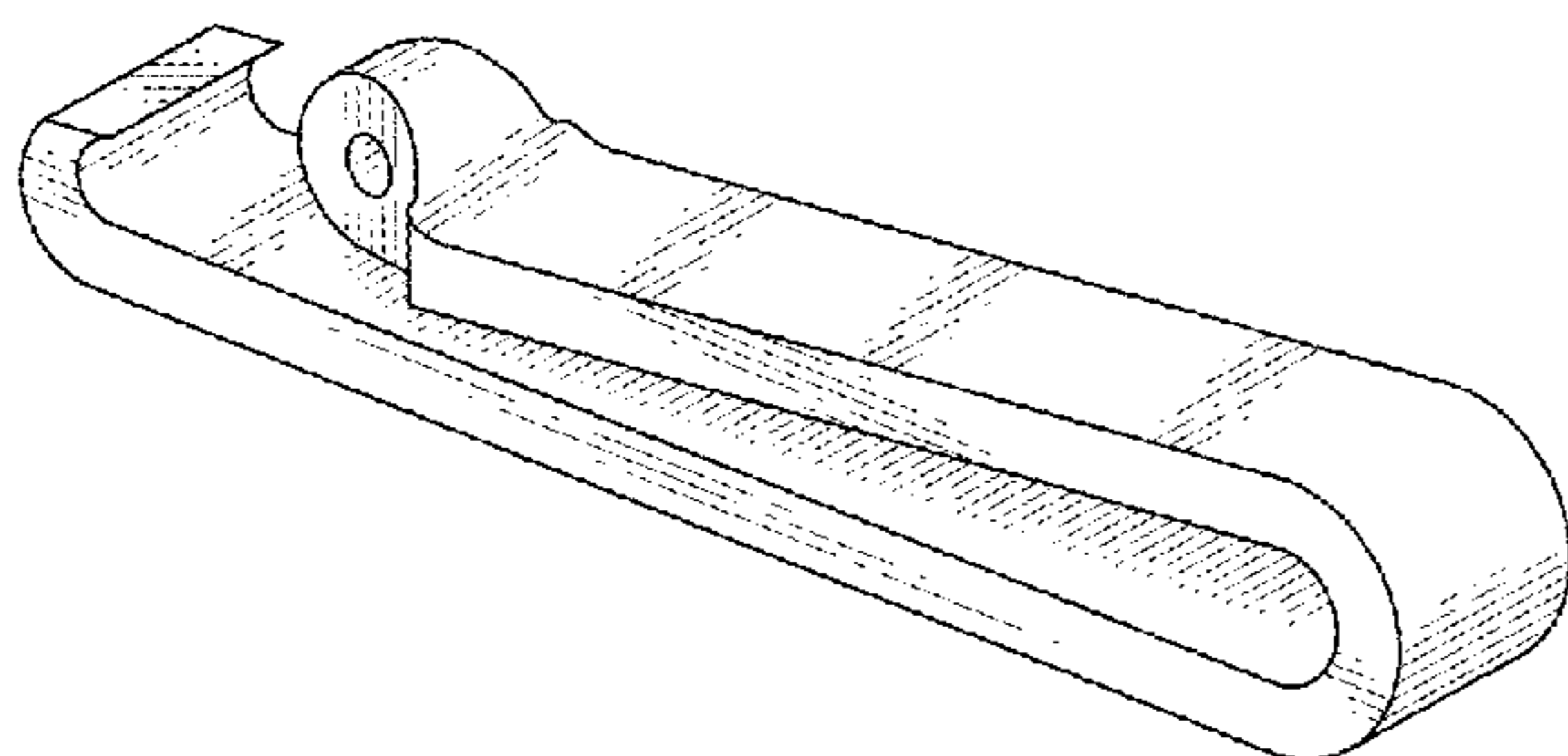
(57) **CLAIM**

The ornamental design for a hook clip to suspend eyewear or other articles, as shown and described.

DESCRIPTION

FIG. 1 is a perspective view of a hook clip to suspend eyewear or other articles;
FIG. 2 is a front elevation view of the invention;
FIG. 3 is a top plan view of the invention, the bottom plan view being a mirror image;
FIG. 4 is a rear elevation view of the invention;
FIG. 5 is a right side view of the invention;
FIG. 6 is a left side view of the invention;
FIG. 7 is a perspective view of the invention with associated structure shown attached thereto; and,
FIG. 8 is a perspective view of the invention in use.
In the drawings, the broken lines illustrate features that form no part of the claimed design and unclaimed environmental subject matter that form no part of the claim.

1 Claim, 2 Drawing Sheets



(56)

References Cited

U.S. PATENT DOCUMENTS

D415,343 S * 10/1999 Maddox D3/207
D445,251 S * 7/2001 Newler G02C 3/04
D3/215
D479,907 S * 9/2003 Ruiz 24/3.6
D480,555 S * 10/2003 Bledsoe D3/215
D552,462 S * 10/2007 Boyd D8/395
D631,058 S * 1/2011 Chin D14/480.7
D641,153 S * 7/2011 van den Hurk D3/215
D670,903 S * 11/2012 Ormsbee D3/215
8,381,359 B1 * 2/2013 McArdle A45F 5/02
2/209.13
D715,686 S * 10/2014 Crafton D11/202
D716,181 S * 10/2014 McAdams D11/202
D750,473 S * 3/2016 Albo D8/371
D754,964 S * 5/2016 Hernandez D3/207
D770,887 S * 11/2016 Sudol D8/395
2006/0213036 A1 * 9/2006 Flowers A41F 17/02
24/72.1
2013/0139357 A1 * 6/2013 Allen, Sr. A45F 5/022
24/3.6
2015/0157078 A1 * 6/2015 Kendis A42B 1/24
24/3.12
2015/0374089 A1 * 12/2015 Lian A45C 13/38
224/184

* cited by examiner

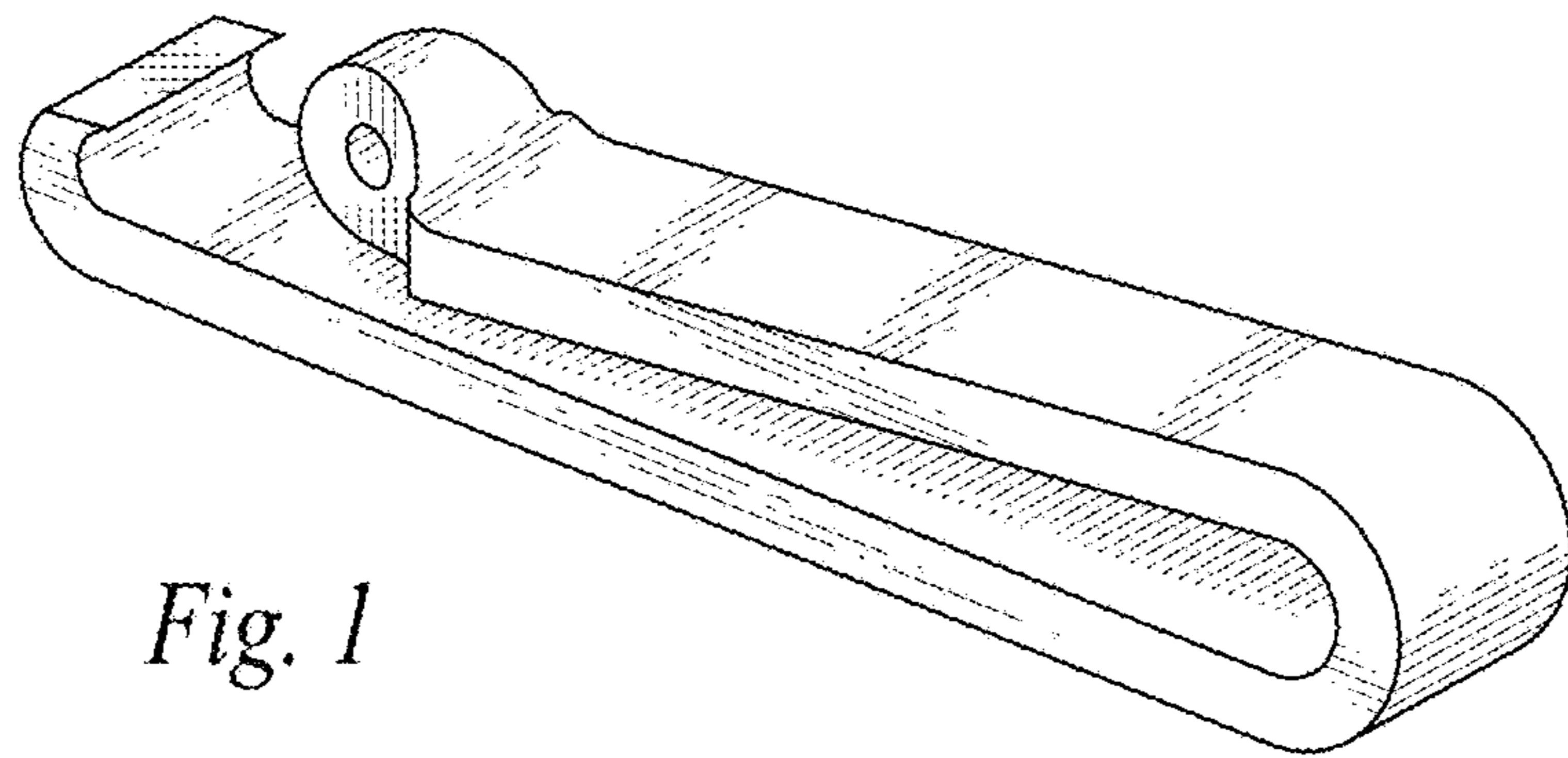


Fig. 1

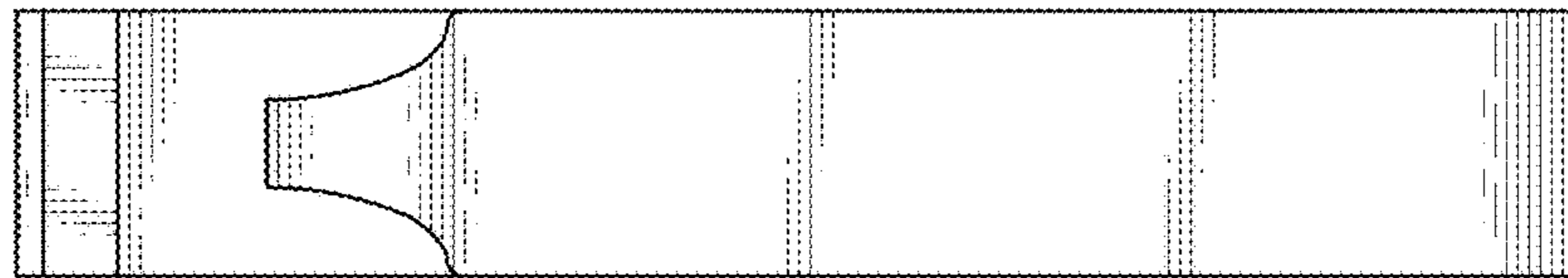


Fig. 2

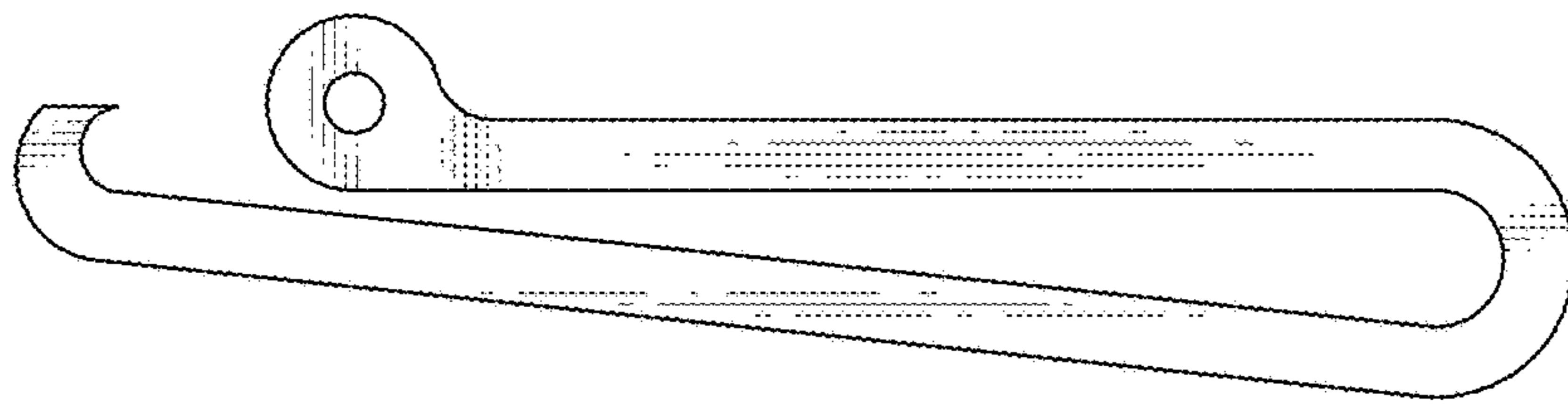


Fig. 3

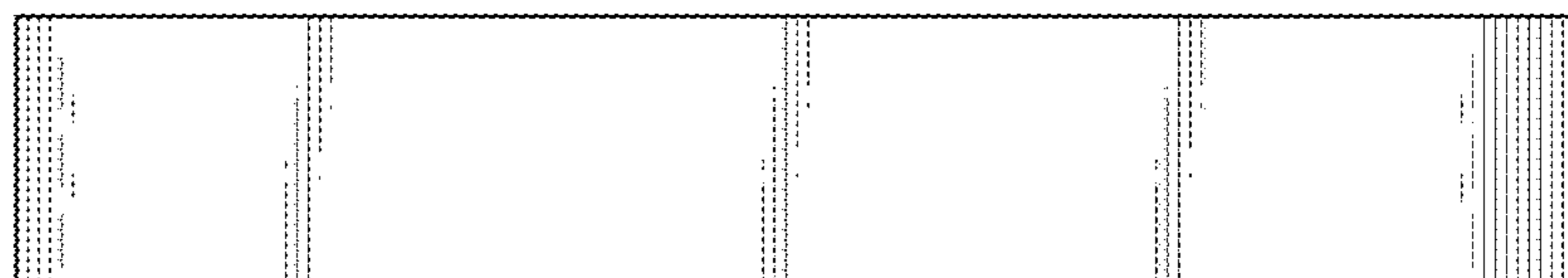


Fig. 4

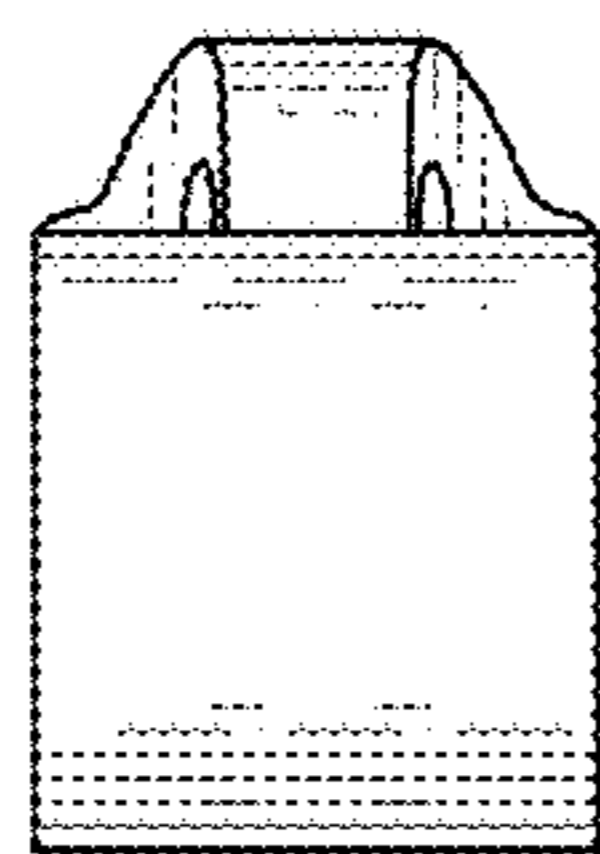


Fig. 5

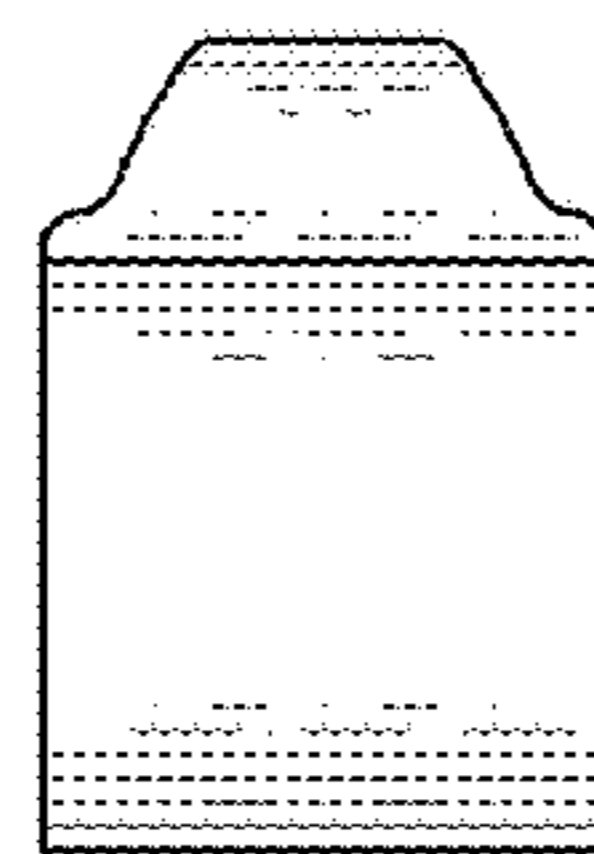


Fig. 6

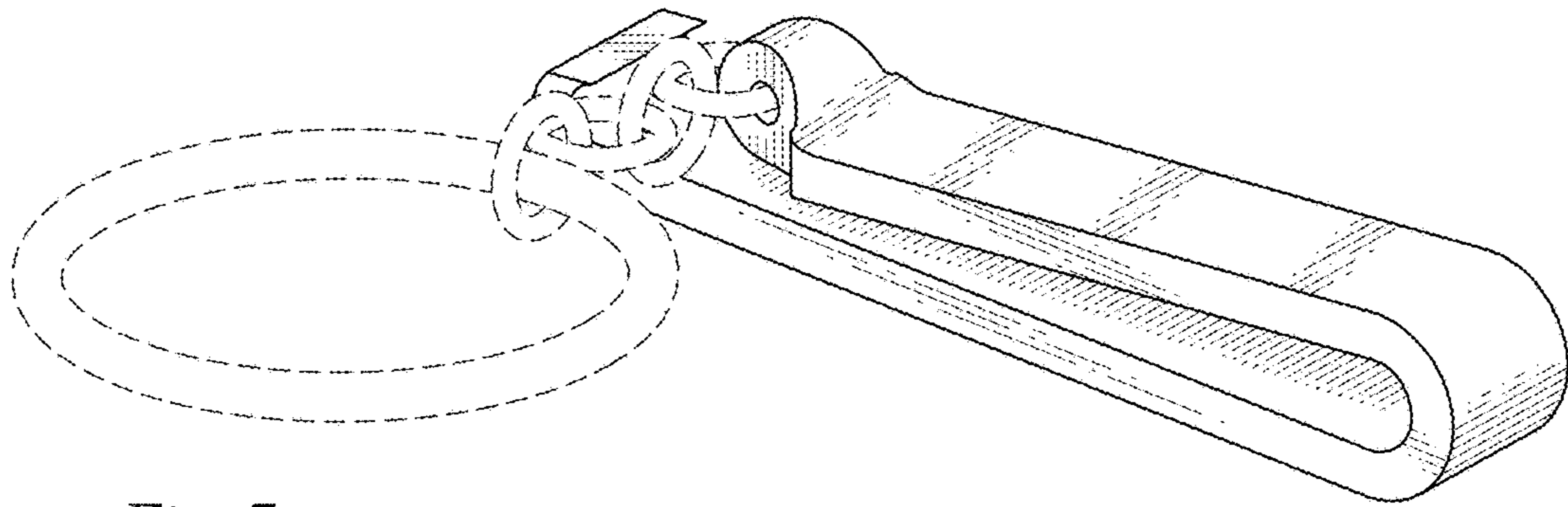


Fig. 7

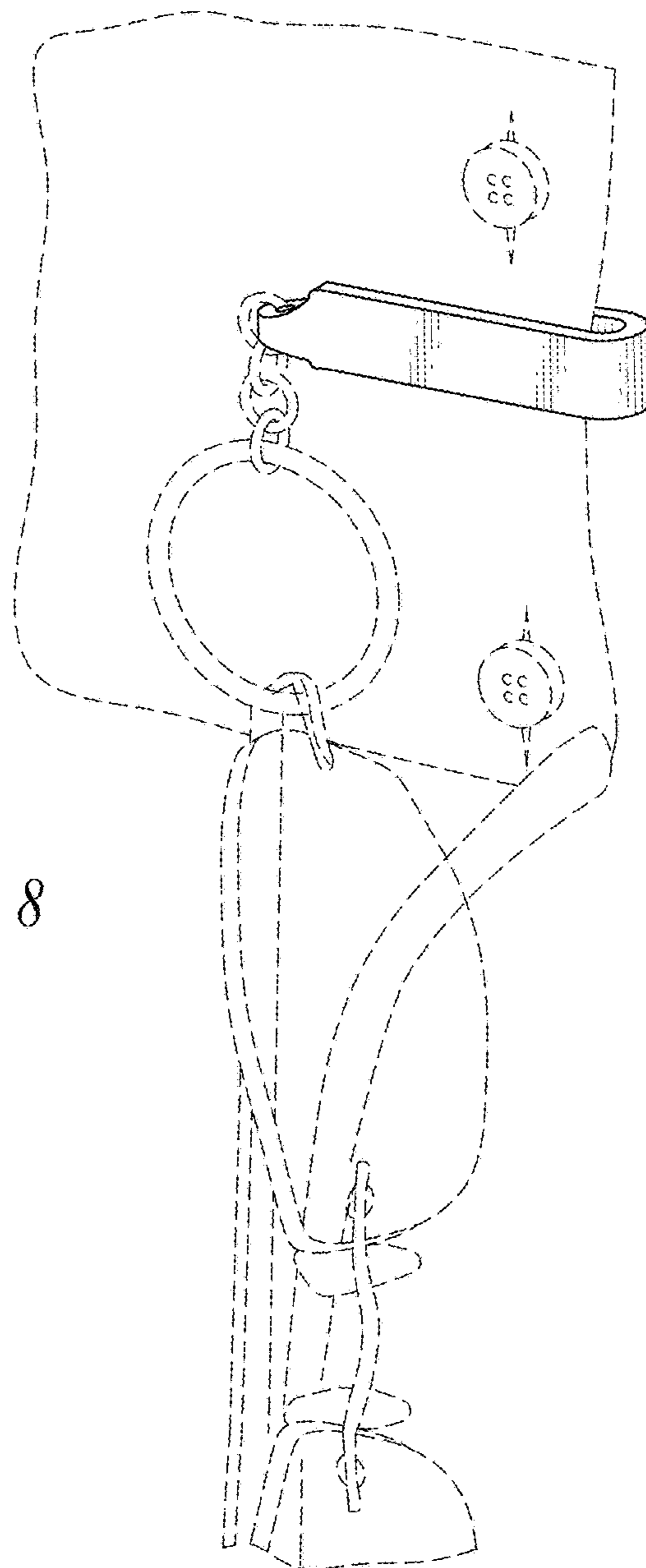


Fig. 8