



US00D781569S

(12) **United States Design Patent**
Rolfs et al.

(10) **Patent No.:** **US D781,569 S**
(45) **Date of Patent:** **** Mar. 21, 2017**

- (54) **CASE**
- (71) Applicant: **Adamis Pharmaceuticals Corporation**,
San Diego, CA (US)
- (72) Inventors: **Bryan E. Rolfs**, St. Paul, MN (US);
Marty Ma, St. Paul, MN (US)
- (73) Assignee: **Adamis Pharmaceuticals Corporation**,
San Diego, CA (US)
- (**) Term: **15 Years**

D509,061 S *	9/2005	Catania	D3/201
D569,103 S *	5/2008	Hoge	D3/273
D612,148 S *	3/2010	Treece	D3/203.1
D613,945 S *	4/2010	Molina	D3/294
D646,061 S *	10/2011	Chang	D3/288
D674,181 S *	1/2013	Faulkner	D24/231
D675,435 S *	2/2013	Ou	D3/294
D691,802 S *	10/2013	Lin	D3/282
D706,529 S *	6/2014	Simon	D3/203.1
D712,137 S *	9/2014	Hsu	D3/228
D731,183 S *	6/2015	Kuhls	D3/282
D740,025 S *	10/2015	Phan	D3/294
D759,378 S *	6/2016	West	D3/294
D761,551 S *	7/2016	Stueckemann	D3/203.1

- (21) Appl. No.: **29/537,278**
- (22) Filed: **Aug. 24, 2015**
- (51) **LOC (10) Cl.** **03-01**
- (52) **U.S. Cl.**
USPC **D3/203.1; D3/294**
- (58) **Field of Classification Search**
USPC **D3/272, 273, 274, 276, 281, 282, 288,**
D3/294, 905, 232, 239, 242, 245, 246,
D3/203.1, 201, 203.8; D24/224
CPC . **B25H 3/00; B25H 3/02; B25H 3/003; B25H**
3/006; B25H 3/021; B25H 3/022; B25H
3/023; B25H 3/025; B25H 3/026; B25H
3/027; B25H 3/028; A45C 5/00; A45C
5/005; A45C 5/03; A45C 2005/037; A45C
5/08; A45C 2005/10
See application file for complete search history.

* cited by examiner

Primary Examiner — Jennifer Rivard
Assistant Examiner — April Rivas

(74) *Attorney, Agent, or Firm* — K&L Gates LLP; Louis
C. Cullman; Brian J. Novak

(57) **CLAIM**

The ornamental design for a case, as shown and described.

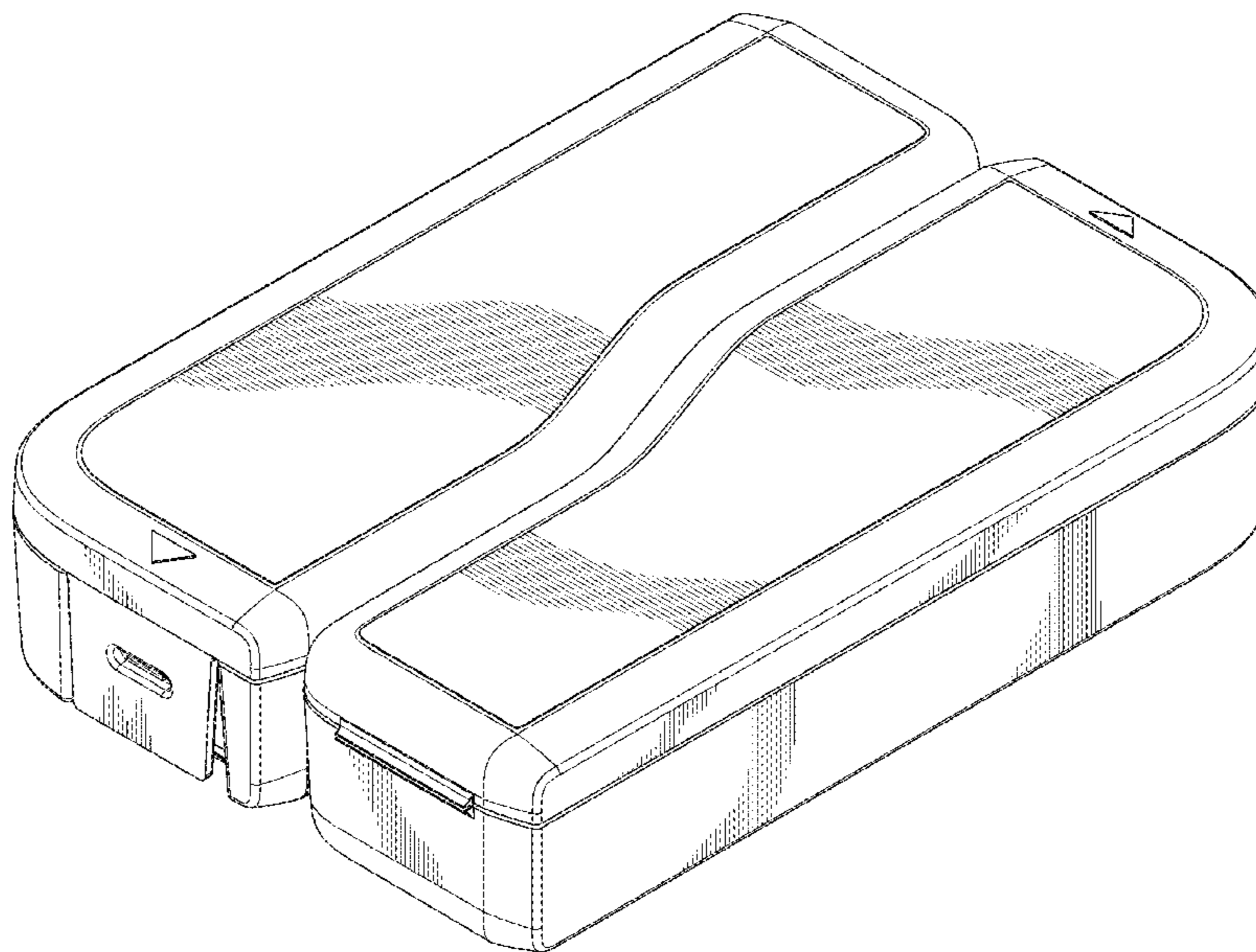
DESCRIPTION

FIG. 1 is a top perspective view of a case of my design.
 FIG. 2 is a bottom perspective view of the case of FIG. 1.
 FIG. 3 is a front view of the case of FIG. 1.
 FIG. 4 is a back view of the case of FIG. 1.
 FIG. 5 is a first side view of the case of FIG. 1.
 FIG. 6 is a second side view of the case of FIG. 1.
 FIG. 7 is a top view of the case of FIG. 1.
 FIG. 8 is a bottom view of the case of FIG. 1.
 FIG. 9 is an alternate front top perspective view of the case
 of FIG. 1; and,
 FIG. 10 is an alternate back top perspective view of the case
 of FIG. 1.

(56) **References Cited**
U.S. PATENT DOCUMENTS

D389,639 S *	1/1998	Priebe	D3/203.8
D459,578 S *	7/2002	Esslinger	D3/274
D459,580 S *	7/2002	Chen	D3/273
D470,311 S *	2/2003	Mitchell	D3/269

1 Claim, 8 Drawing Sheets



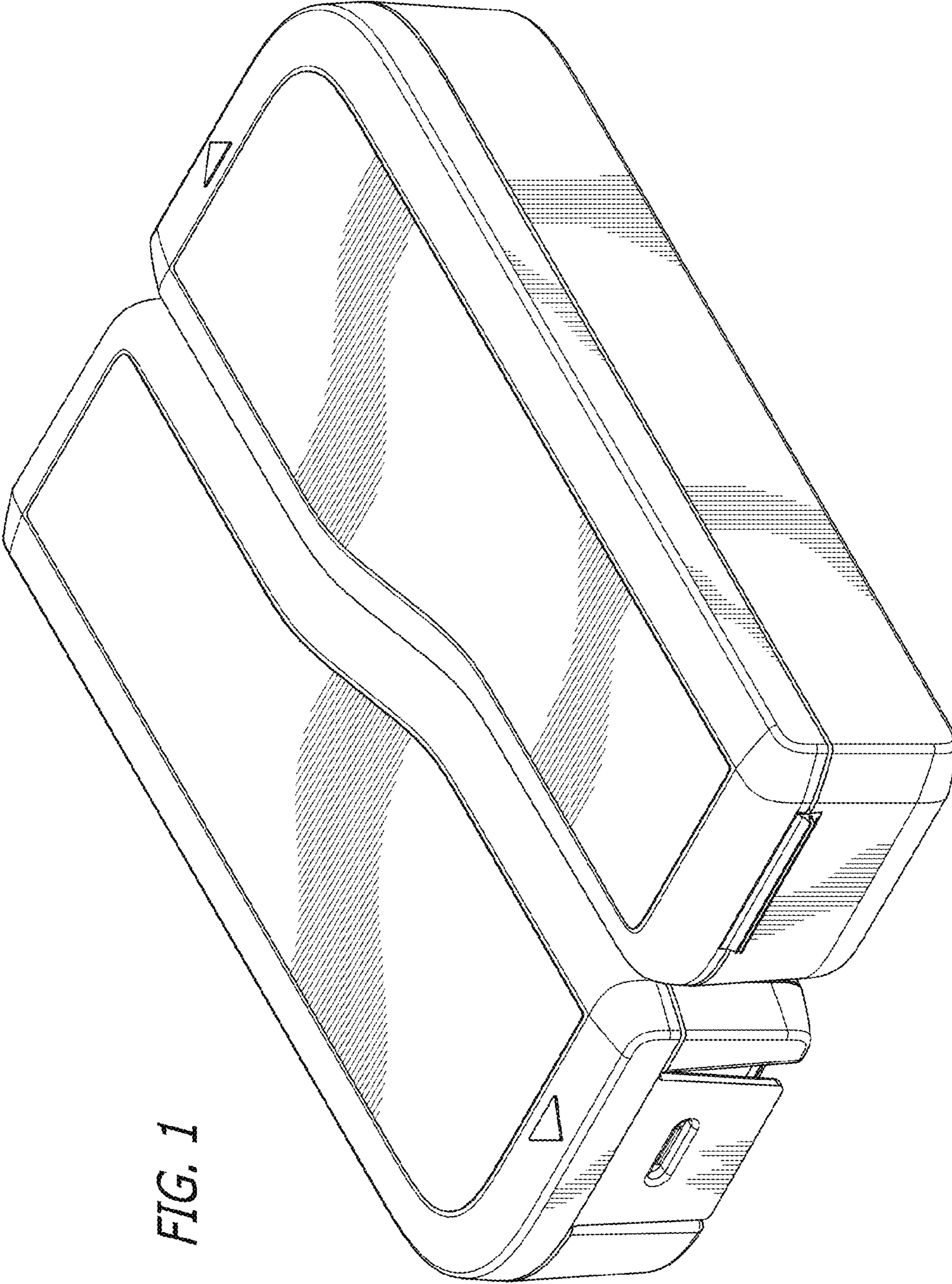


FIG. 1

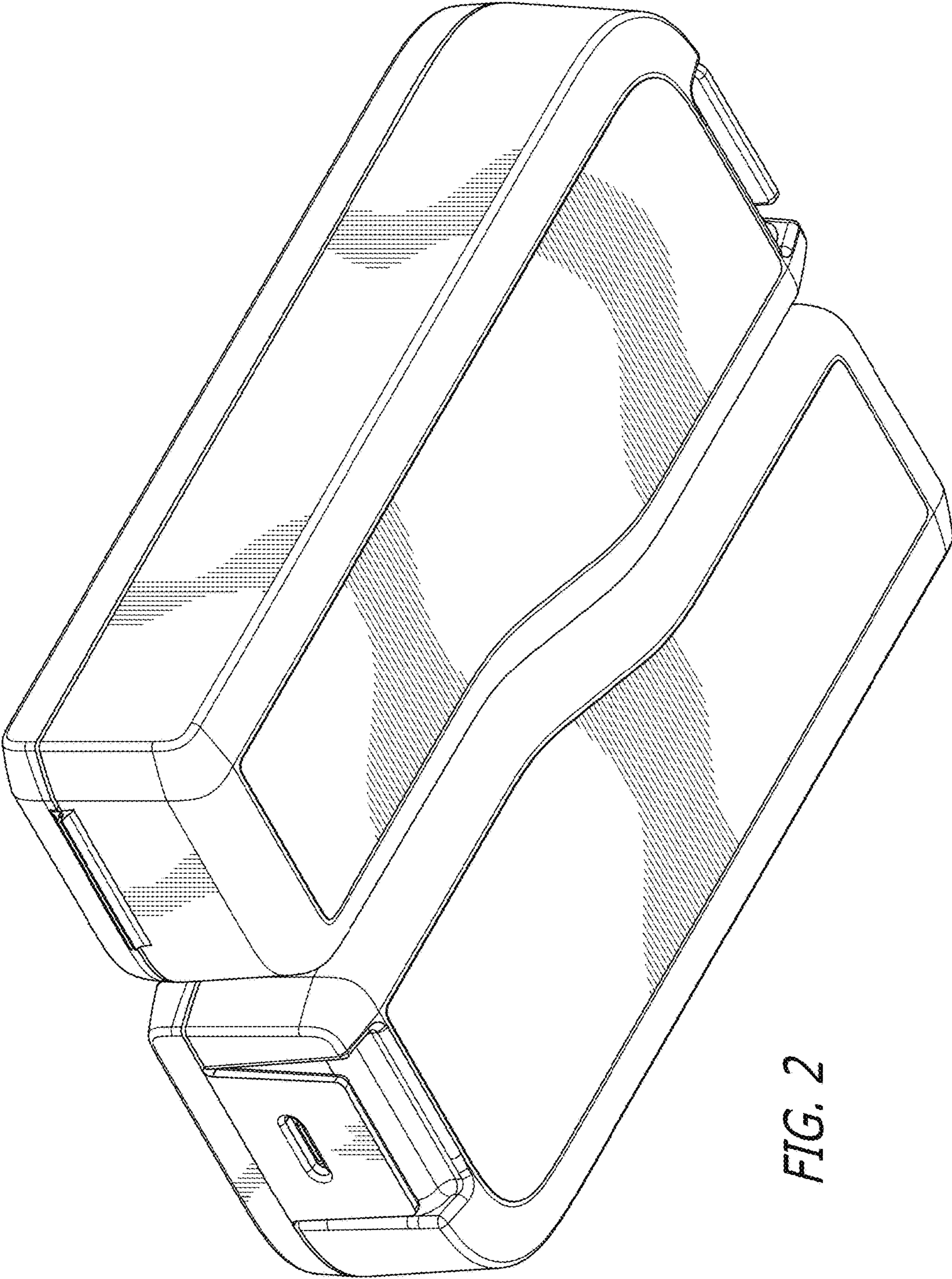


FIG. 2

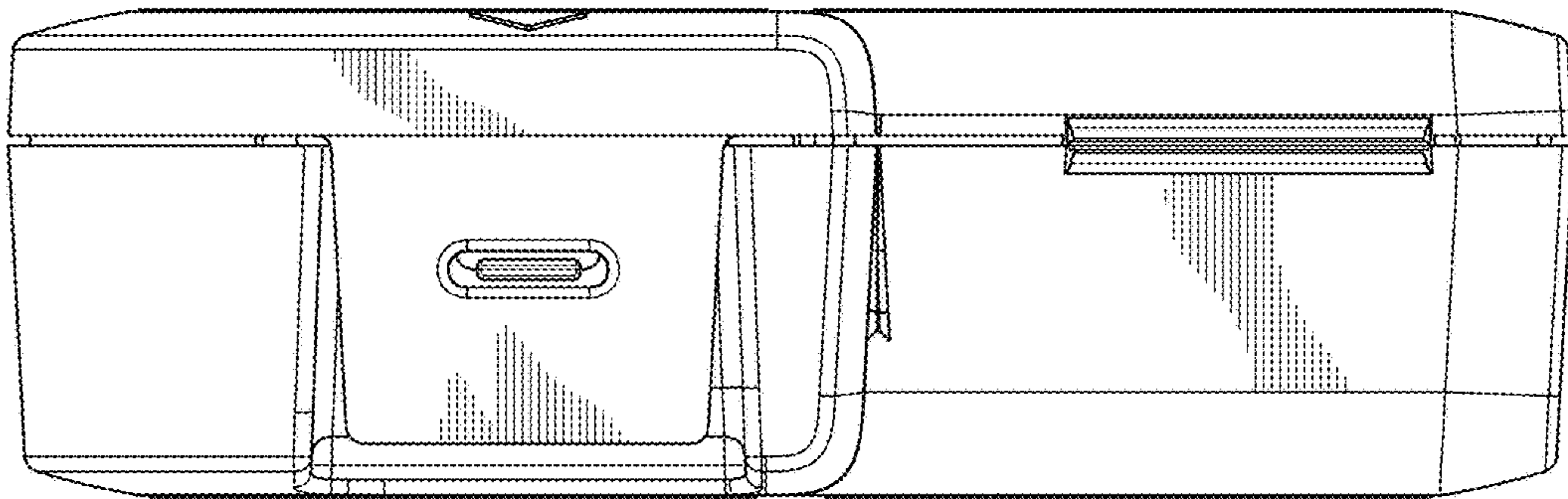


FIG. 3

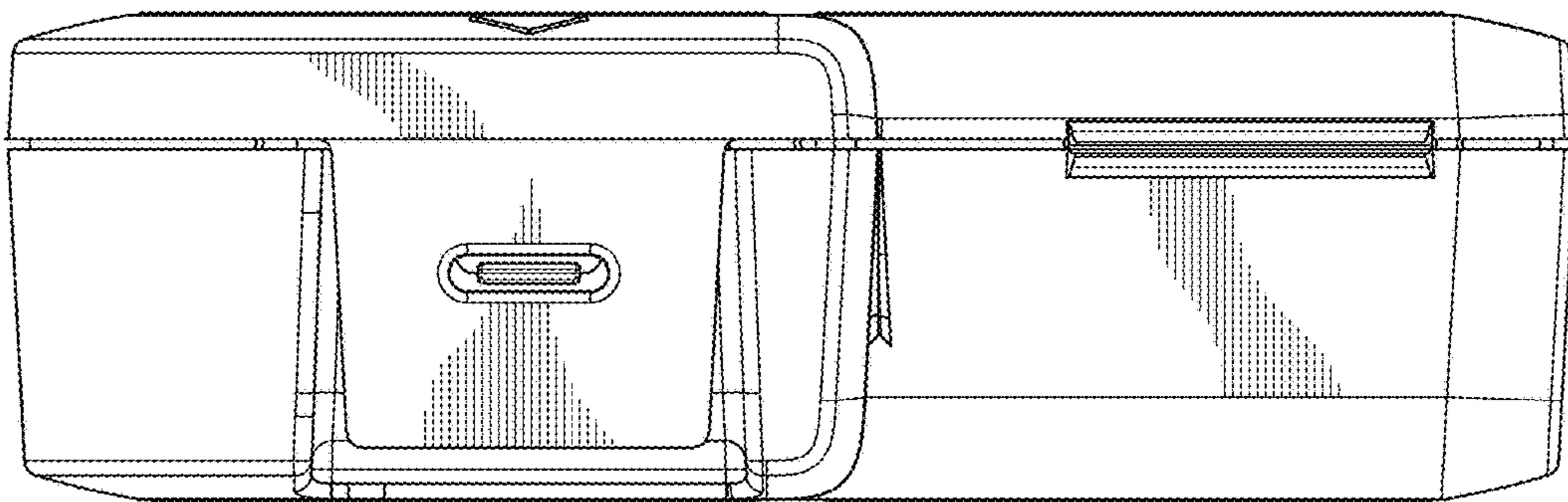
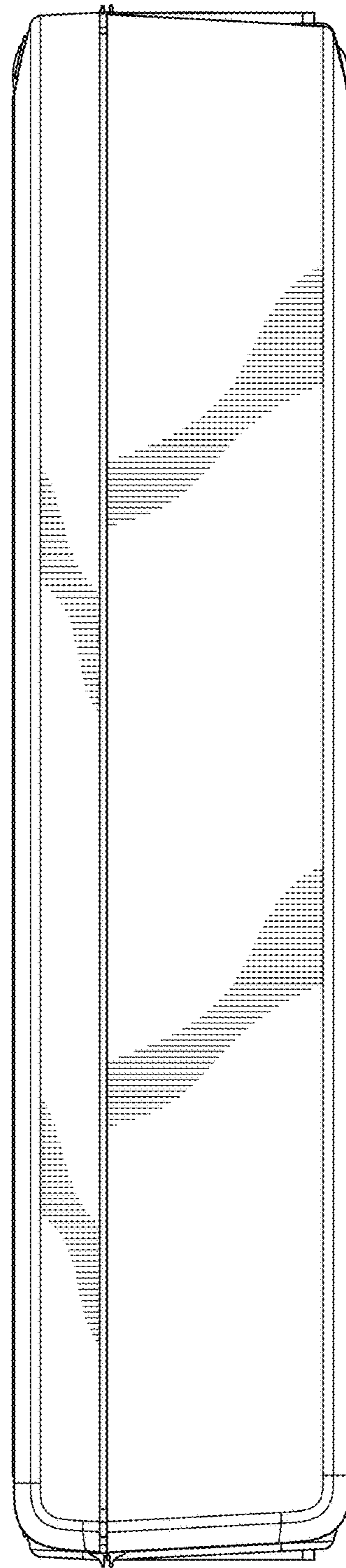
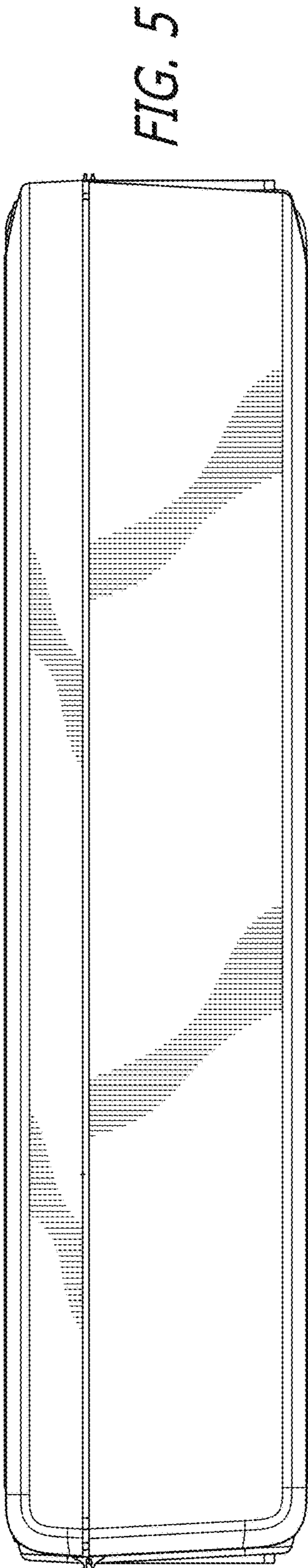


FIG. 4



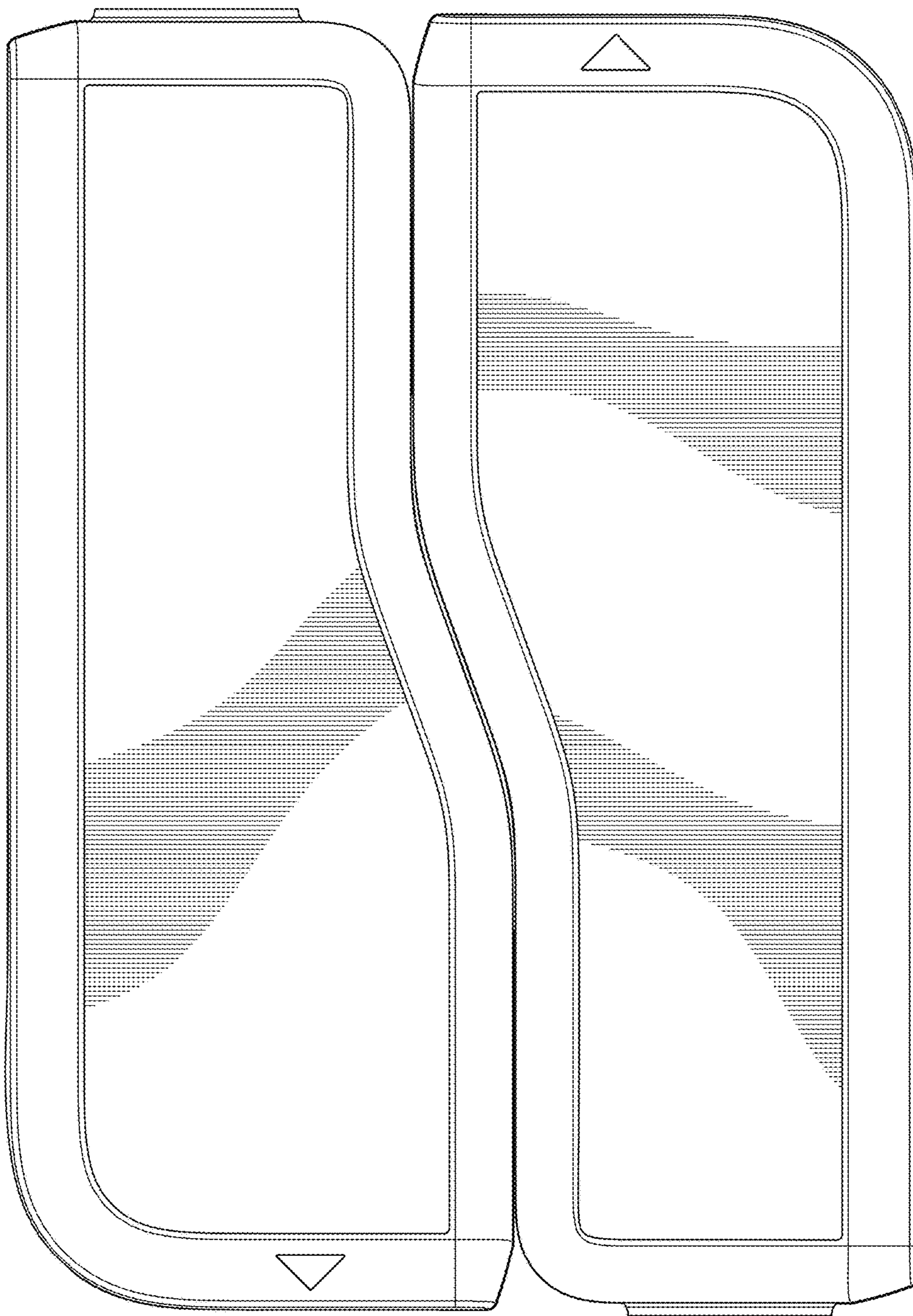


FIG. 7

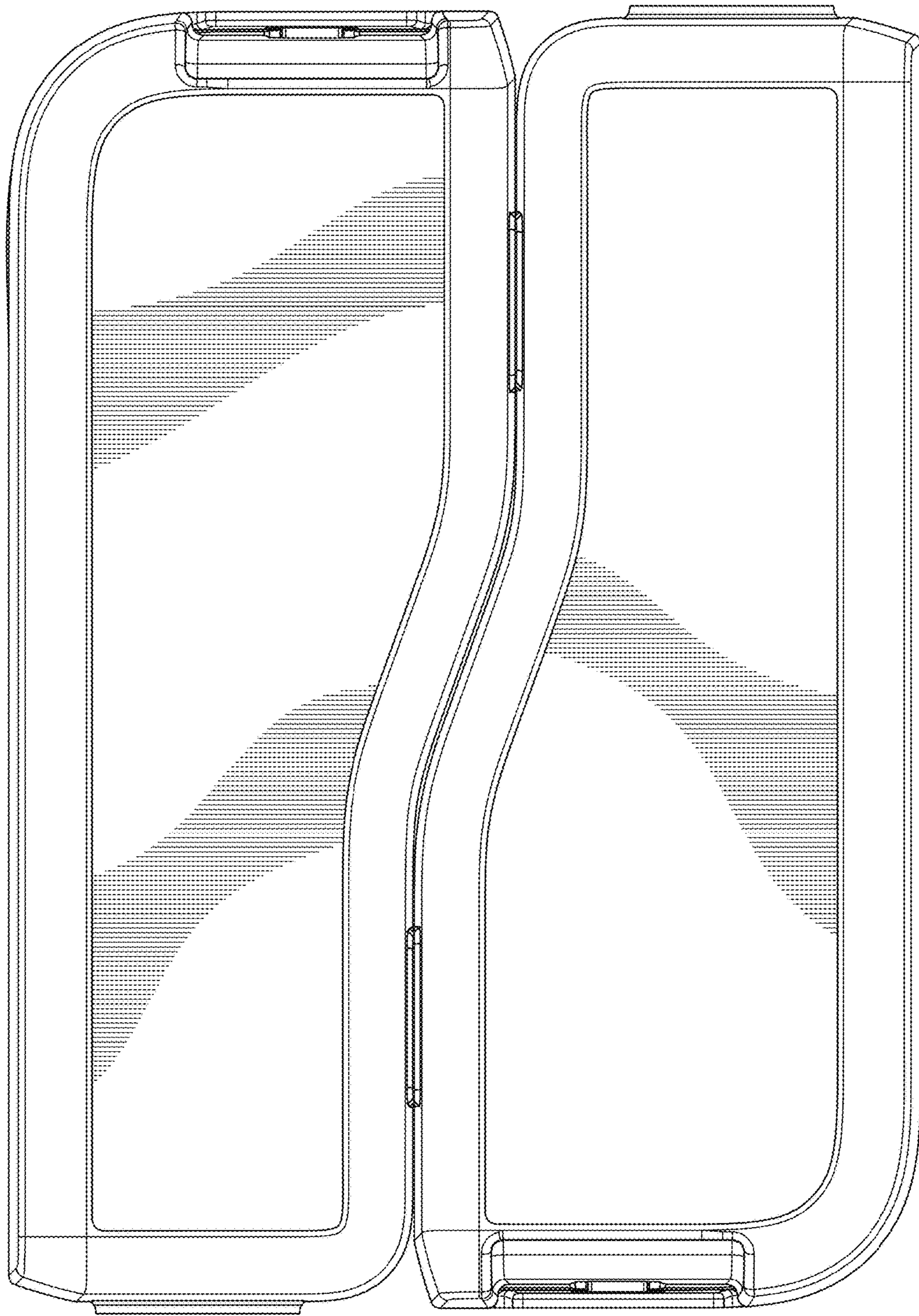


FIG. 8

