

US00D781553S

(12) **United States Design Patent**
Caron

(10) **Patent No.:** **US D781,553 S**
(45) **Date of Patent:** **** Mar. 21, 2017**

(54) **SHOE UPPER**
(71) Applicant: **NIKE, Inc.**, Beaverton, OR (US)
(72) Inventor: **Paul Caron**, Hillsboro, OR (US)
(73) Assignee: **NIKE, Inc.**, Beaverton, OR (US)
(**) Term: **15 Years**
(21) Appl. No.: **29/536,579**

D473,044 S 4/2003 McDowell
D476,466 S 7/2003 Schenone
D486,301 S 2/2004 Koo
D490,600 S 6/2004 Lozano
D498,583 S * 11/2004 Yun A43B 7/085
D2/972
D515,301 S * 2/2006 Gillespie D2/972
D519,263 S 4/2006 Lin
D520,720 S 5/2006 Hobson
D524,524 S 7/2006 Hobson
D598,186 S 8/2009 Lamont
D683,128 S 5/2013 Avar et al.
D693,111 S * 11/2013 Hoffer D2/972

(22) Filed: **Aug. 18, 2015**
(51) **LOC (10) Cl.** **02-99**
(52) **U.S. Cl.**
USPC **D2/972**
(58) **Field of Classification Search**
USPC D2/902, 906-908, 944, 946, 969,
D2/972-974
CPC ... A43B 13/181; A43B 13/141; A43B 13/186;
A43B 13/188; A43B 23/00; A43B 23/02;
A43B 5/00; A43B 23/26; A43B 1/04;
A43B 11/14; A43B 7/00; A43C 1/00;
A43C 11/00
See application file for complete search history.

* cited by examiner

Primary Examiner — Dominic Simone
(74) *Attorney, Agent, or Firm* — Banner & Witcoff, Ltd.

(57) **CLAIM**

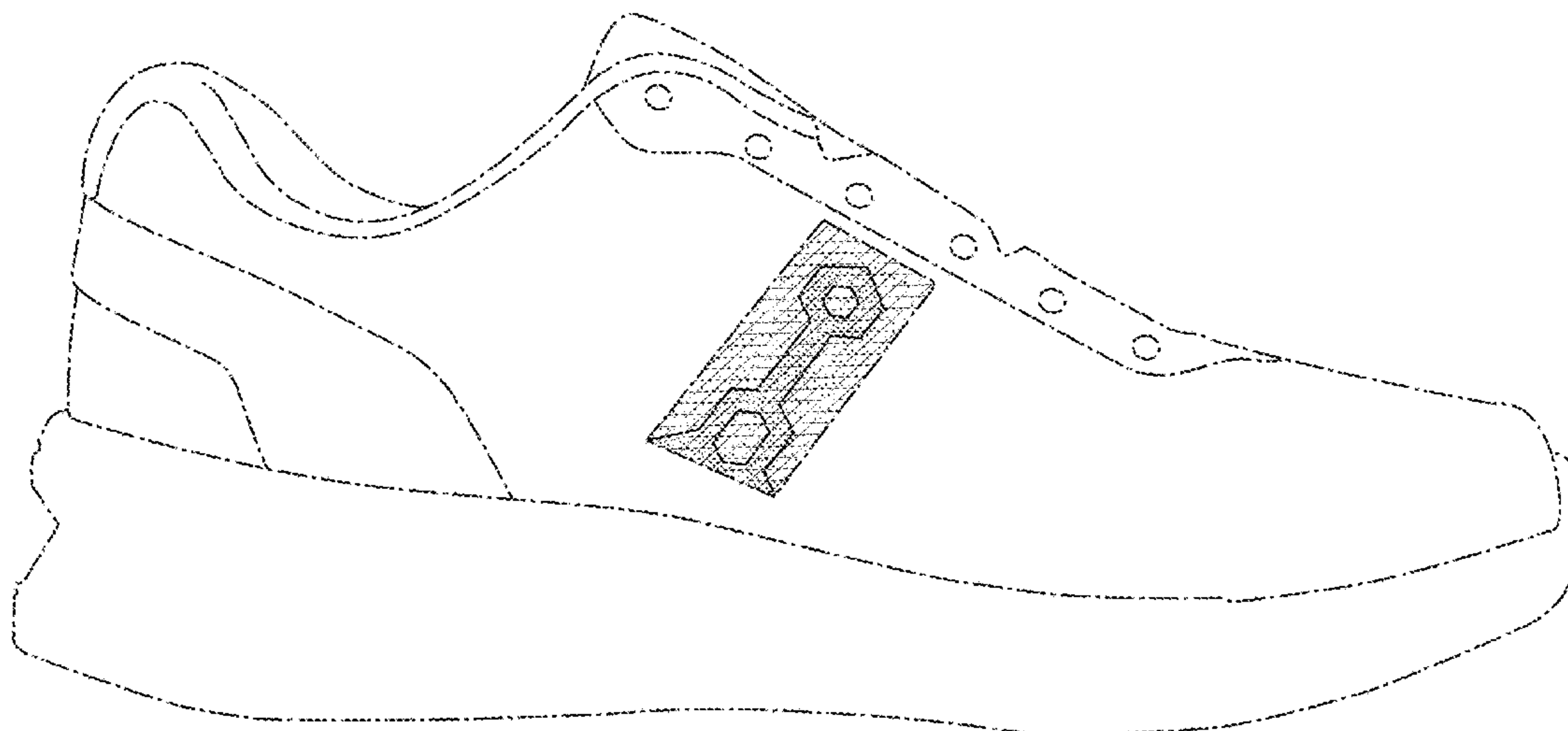
The ornamental design for a shoe upper, as shown and described.

DESCRIPTION

FIG. 1 is a front perspective view of a shoe upper showing my new design;
FIG. 2 is a side view thereof; and
FIG. 3 is a rear perspective view thereof; and,
FIG. 4 is an enlarged view of FIG. 2 with disclaimed features removed for clarity.
The broken lines immediately adjacent to the shaded area represent unclaimed boundaries of the design. The broken lines showing the remainder of the shoe are for environmental purposes only and form no part of the claimed design.

(56) **References Cited**
U.S. PATENT DOCUMENTS
D410,961 S 6/1999 George
D415,879 S 11/1999 Lupo
D421,331 S 3/2000 Mervar et al.
D428,246 S 7/2000 McCourt
D444,938 S 7/2001 Smith
D464,189 S 10/2002 Wu
D468,086 S 1/2003 McDowell

1 Claim, 4 Drawing Sheets



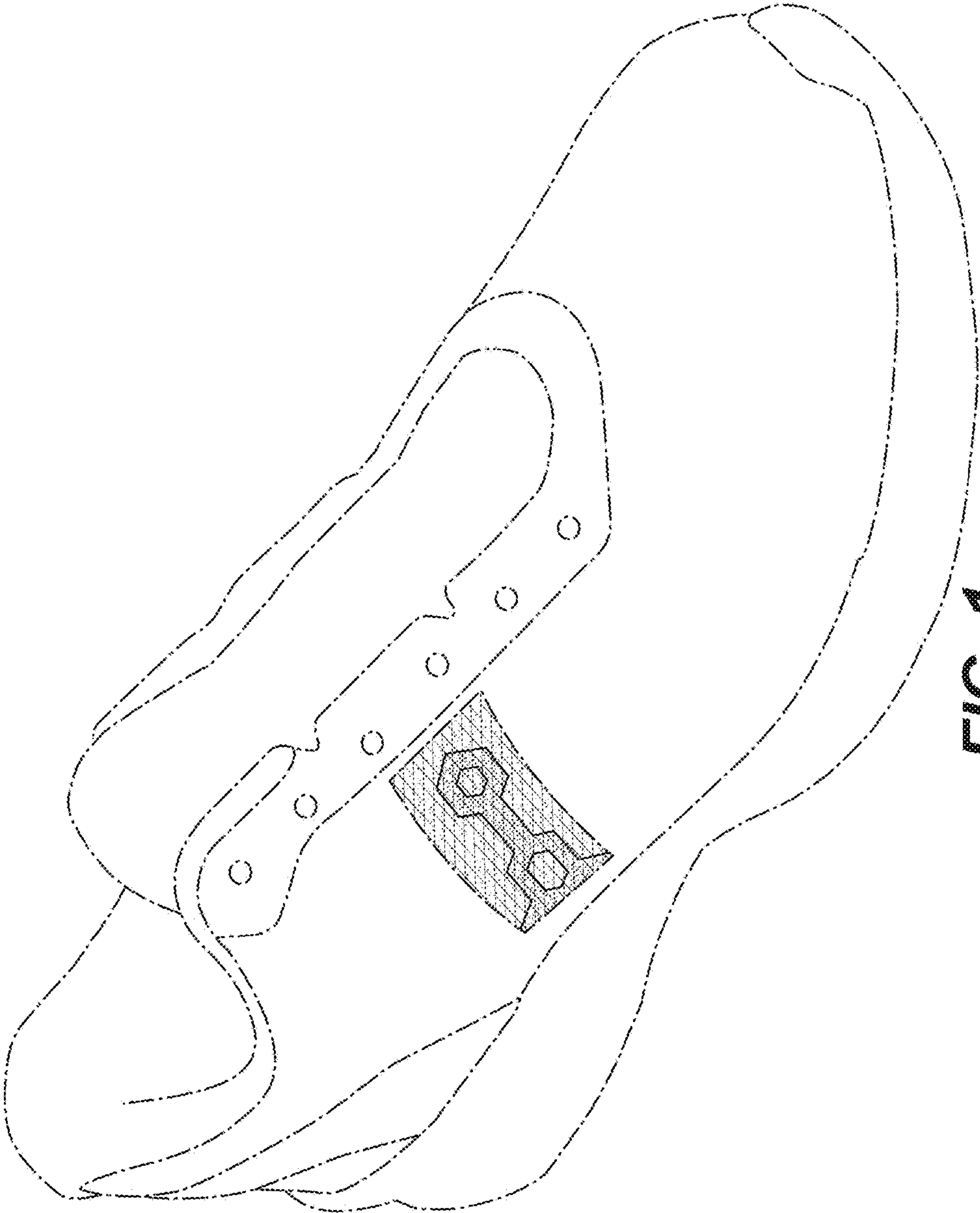


FIG. 1

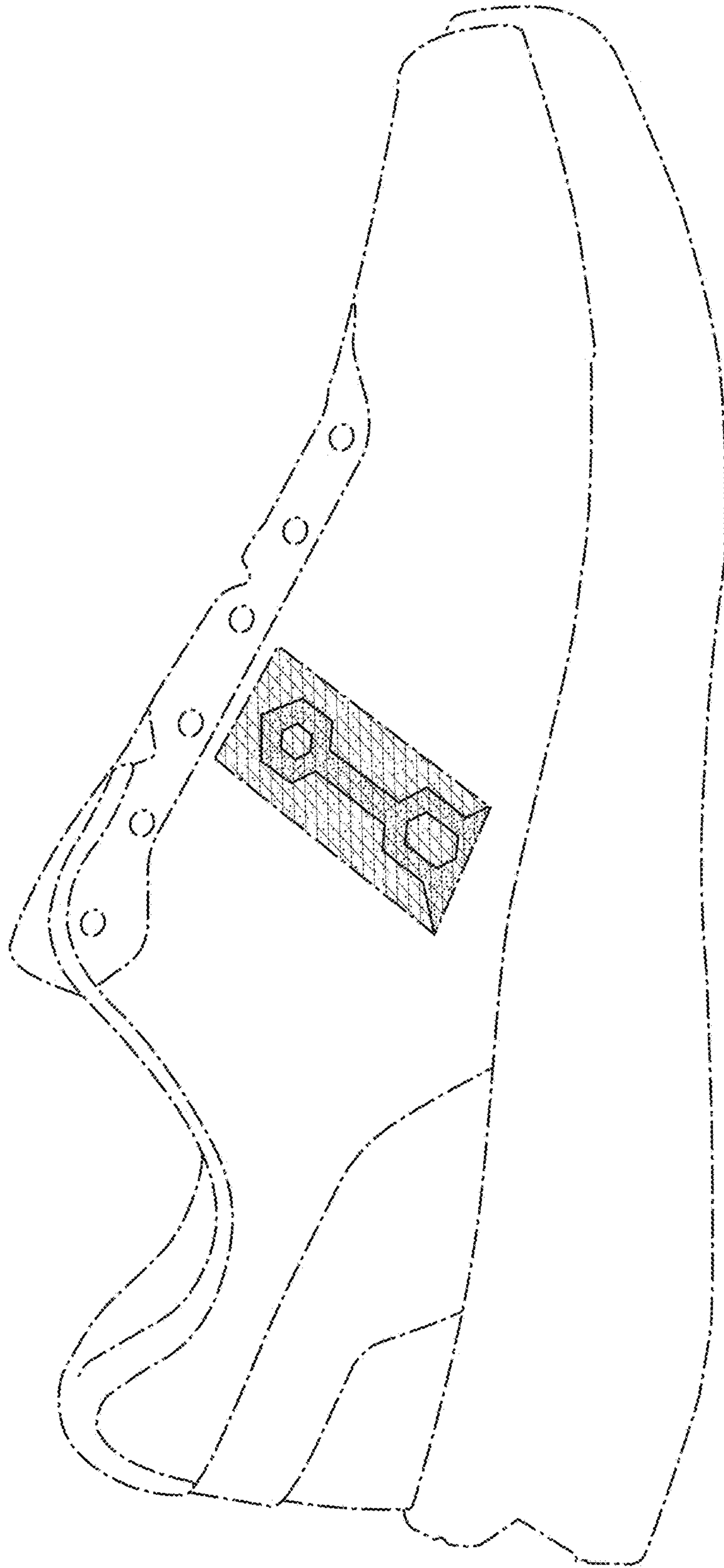


FIG. 2

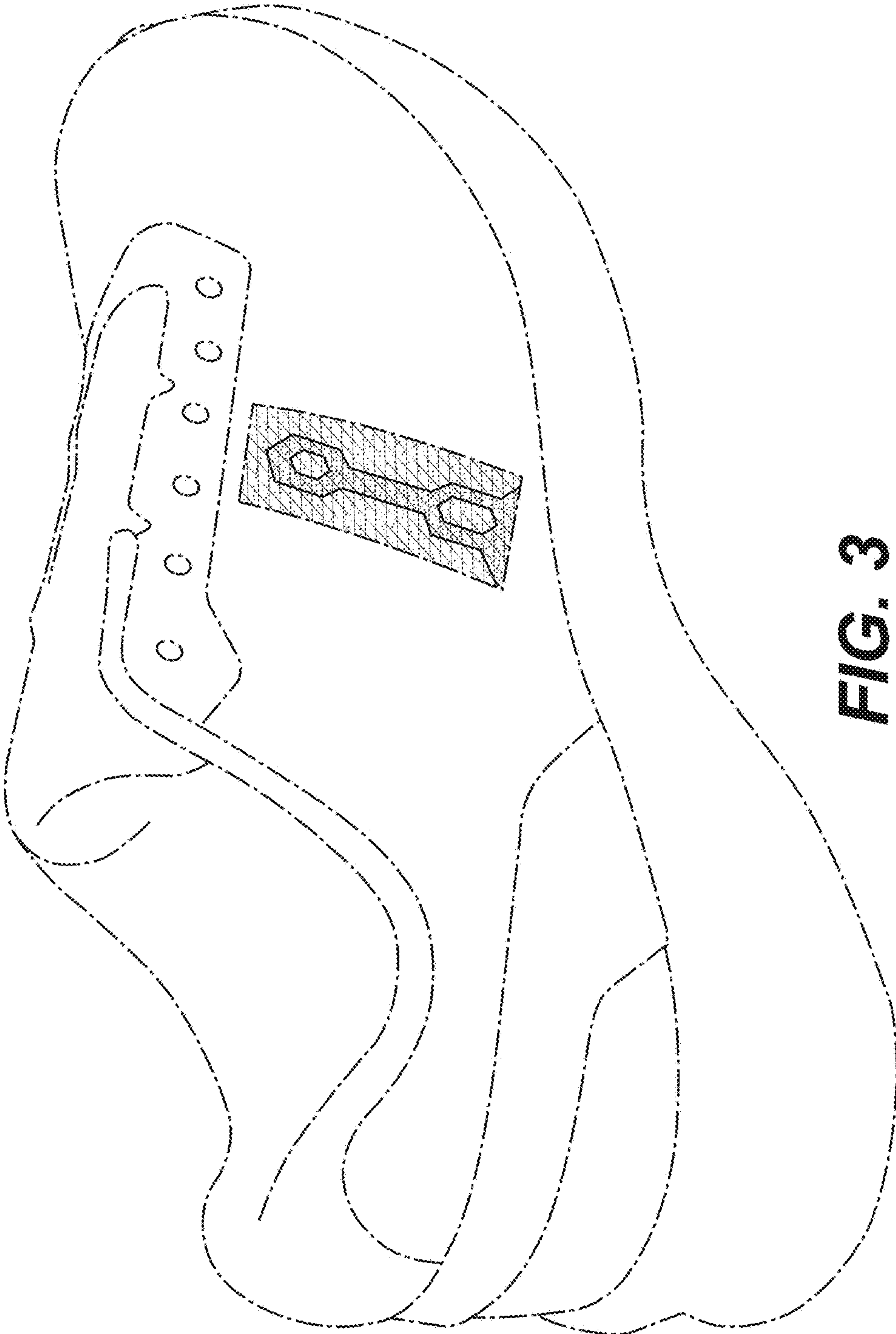


FIG. 3

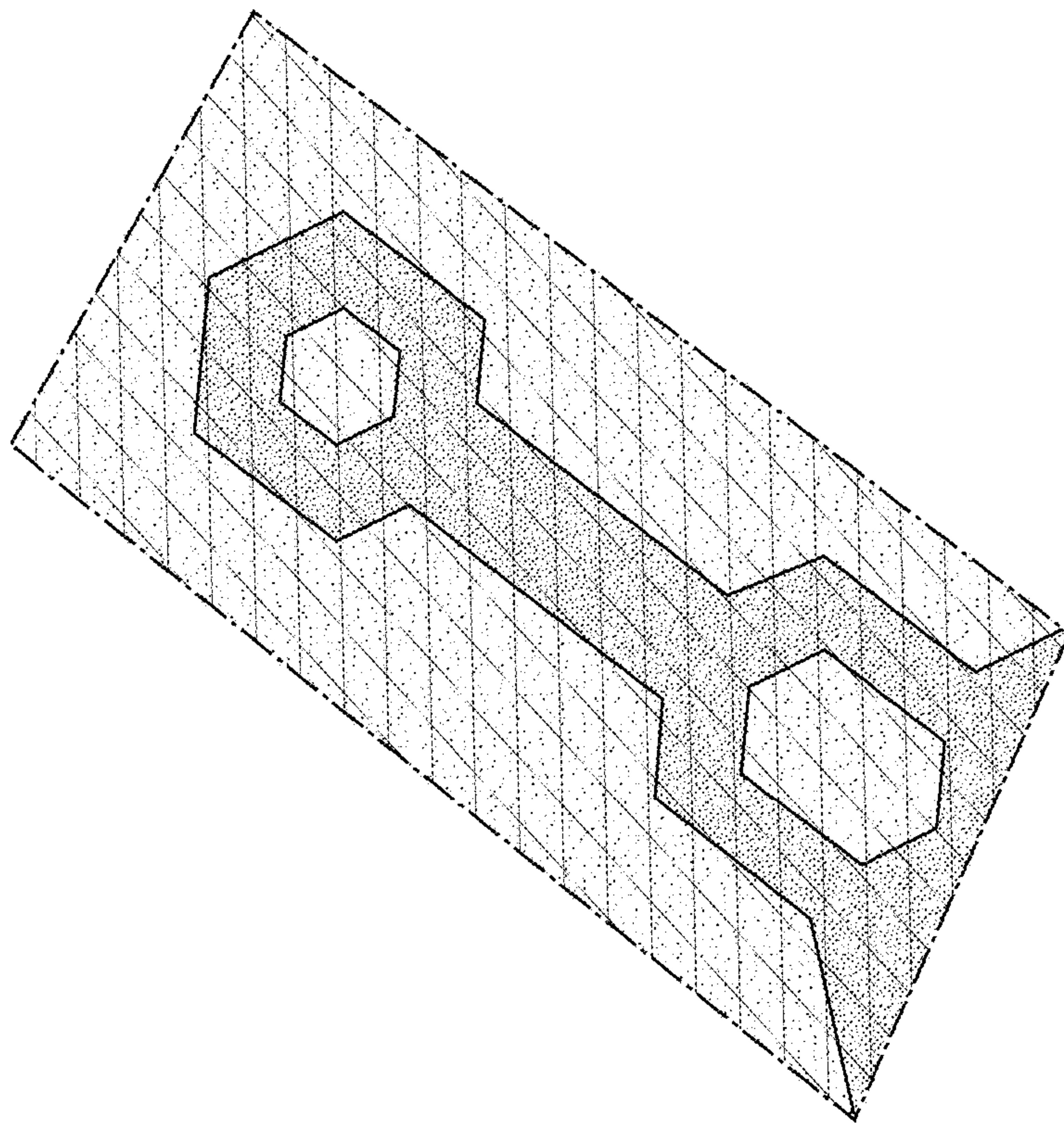


FIG. 4