



US00D781549S

(12) **United States Design Patent** (10) **Patent No.:** **US D781,549 S**
Lee (45) **Date of Patent:** **** Mar. 21, 2017**

(54) **SHOE UPPER**
(71) Applicant: **NIKE, Inc.**, Beaverton, OR (US)
(72) Inventor: **Jeongwoo Lee**, Portland, OR (US)
(73) Assignee: **NIKE, Inc.**, Beaverton, OR (US)
(**) Term: **15 Years**
(21) Appl. No.: **29/536,375**
(22) Filed: **Aug. 17, 2015**
(51) **LOC (10) Cl.** **02-04**
(52) **U.S. Cl.**
USPC **D2/972**
(58) **Field of Classification Search**
USPC D2/902, 907, 908, 920, 944, 969, 970,
D2/972-975; D5/47, 49, 60
CPC .. A43B 1/04; A43B 5/008; A43B 5/06; A43B
5/10
See application file for complete search history.

D528,763 S * 9/2006 Rask D2/972
D529,271 S * 10/2006 Kuerbis D2/972
D532,194 S * 11/2006 Cessor D2/972
D544,692 S * 6/2007 Kuerbis D2/972
D553,341 S * 10/2007 Dekovic D2/972
D573,338 S * 7/2008 Stauffer D2/972
D586,110 S * 2/2009 Lotti D2/972
D668,441 S * 10/2012 Shaffer D2/972
D707,951 S * 7/2014 McCullagh D2/972
D735,463 S * 8/2015 Avar D2/972
2014/0259760 A1* 9/2014 Dojan A43B 23/026
36/45

* cited by examiner

Primary Examiner — Celia Murphy
Assistant Examiner — Clare Ann Gannon
(74) *Attorney, Agent, or Firm* — Banner & Witcoff, Ltd.

(57) **CLAIM**

The ornamental design for a shoe upper, as shown and described.

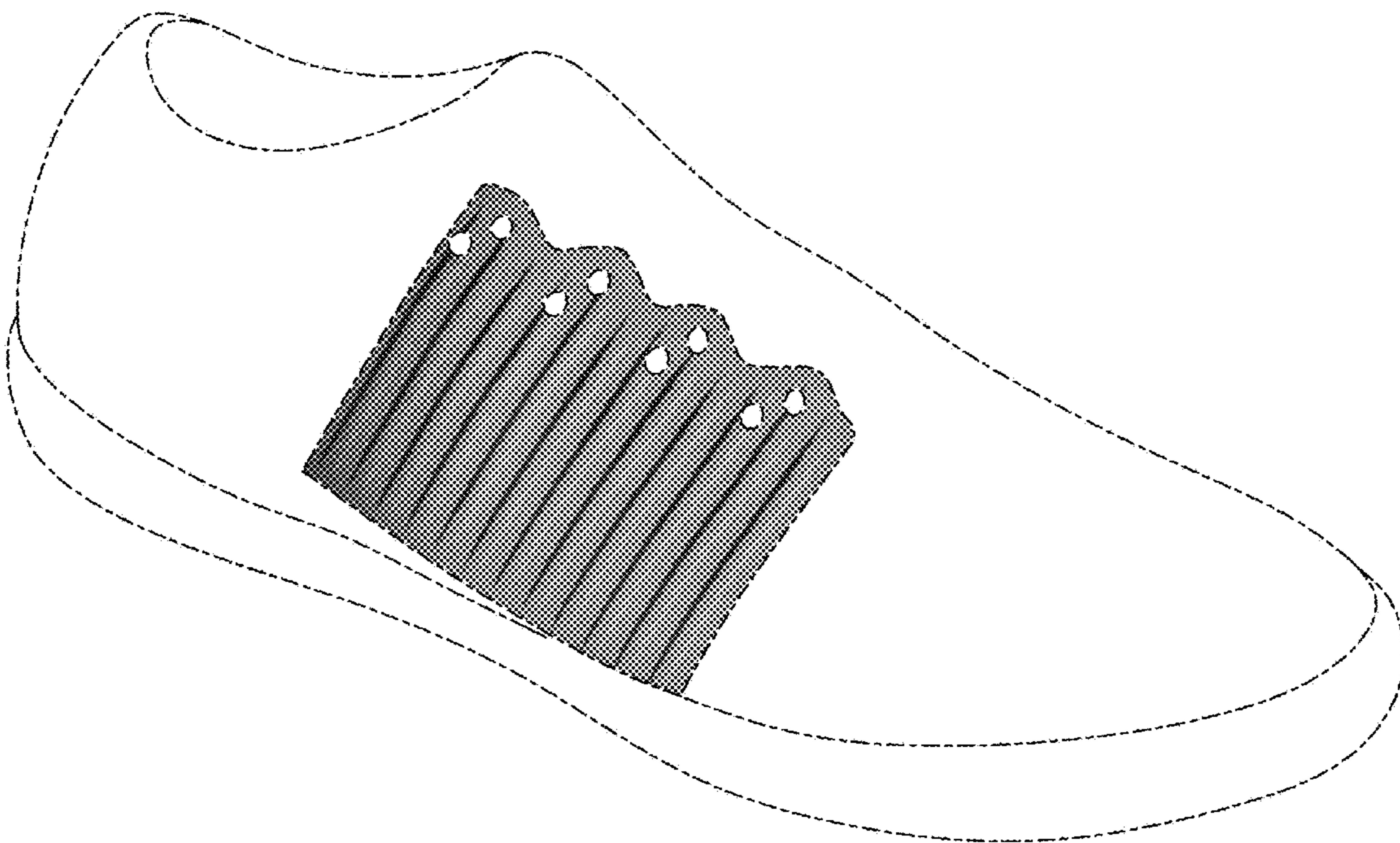
DESCRIPTION

FIG. 1 is a front perspective view of a shoe upper showing my new design;
FIG. 2 is a side view thereof; and,
FIG. 3 is a rear perspective view thereof.
The broken lines immediately adjacent to the photographic area represent unclaimed boundaries of the design. The broken lines showing the remainder of the shoe are for environmental purposes only and form no part of the claimed design.

1 Claim, 3 Drawing Sheets

(56) **References Cited**
U.S. PATENT DOCUMENTS

D348,978 S * 7/1994 Avar D2/912
D427,760 S * 7/2000 Holmes D2/972
6,108,943 A * 8/2000 Hudson A43B 5/10
36/102
D461,043 S * 8/2002 Greene D2/972
D474,009 S * 5/2003 Lotti D2/972
D476,473 S * 7/2003 Clegg D2/972
D491,718 S * 6/2004 Link D2/972
D504,562 S * 5/2005 Kuerbis D2/972
D523,222 S * 6/2006 Savage D2/972
D523,624 S * 6/2006 Kuerbis D2/972



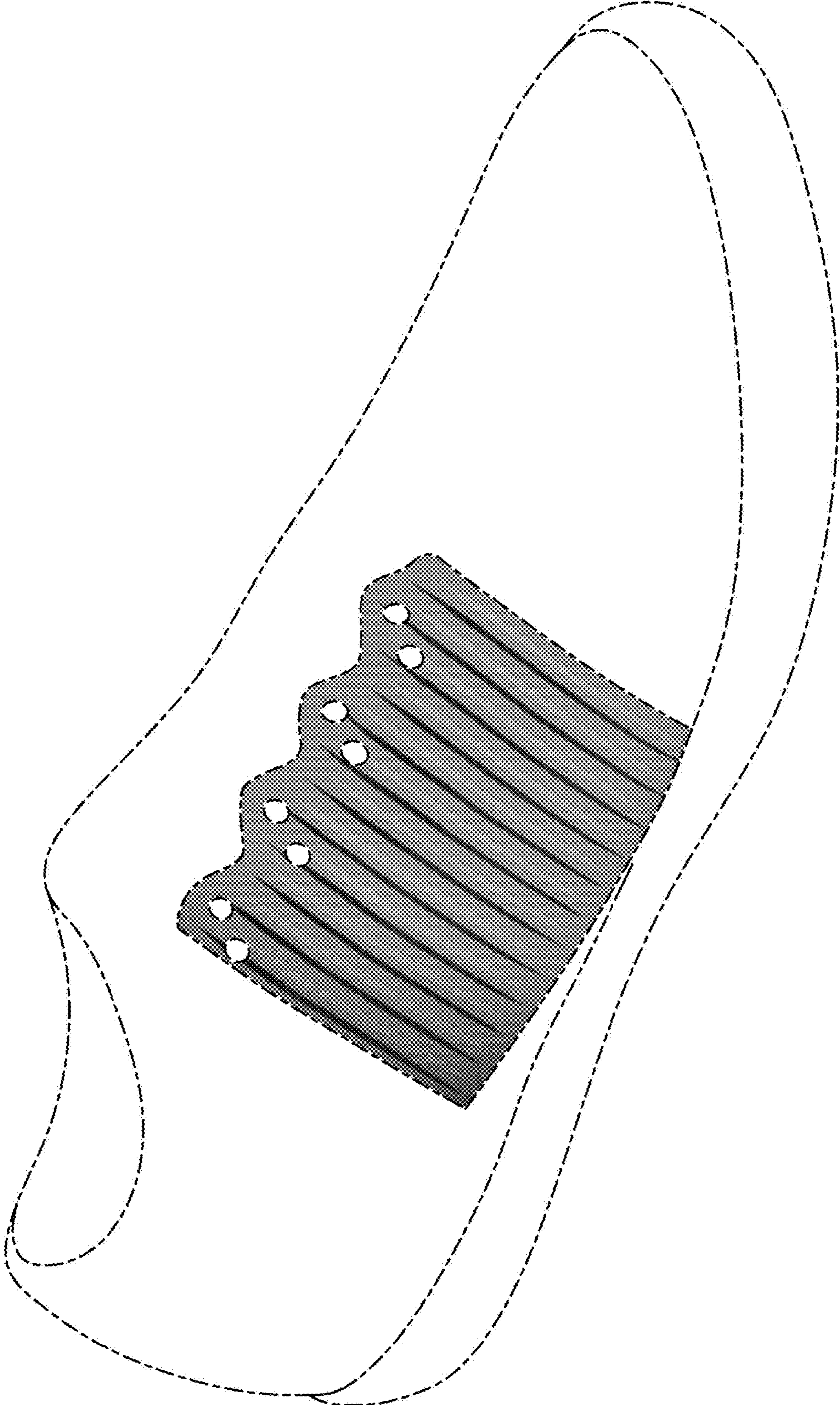


FIG. 1

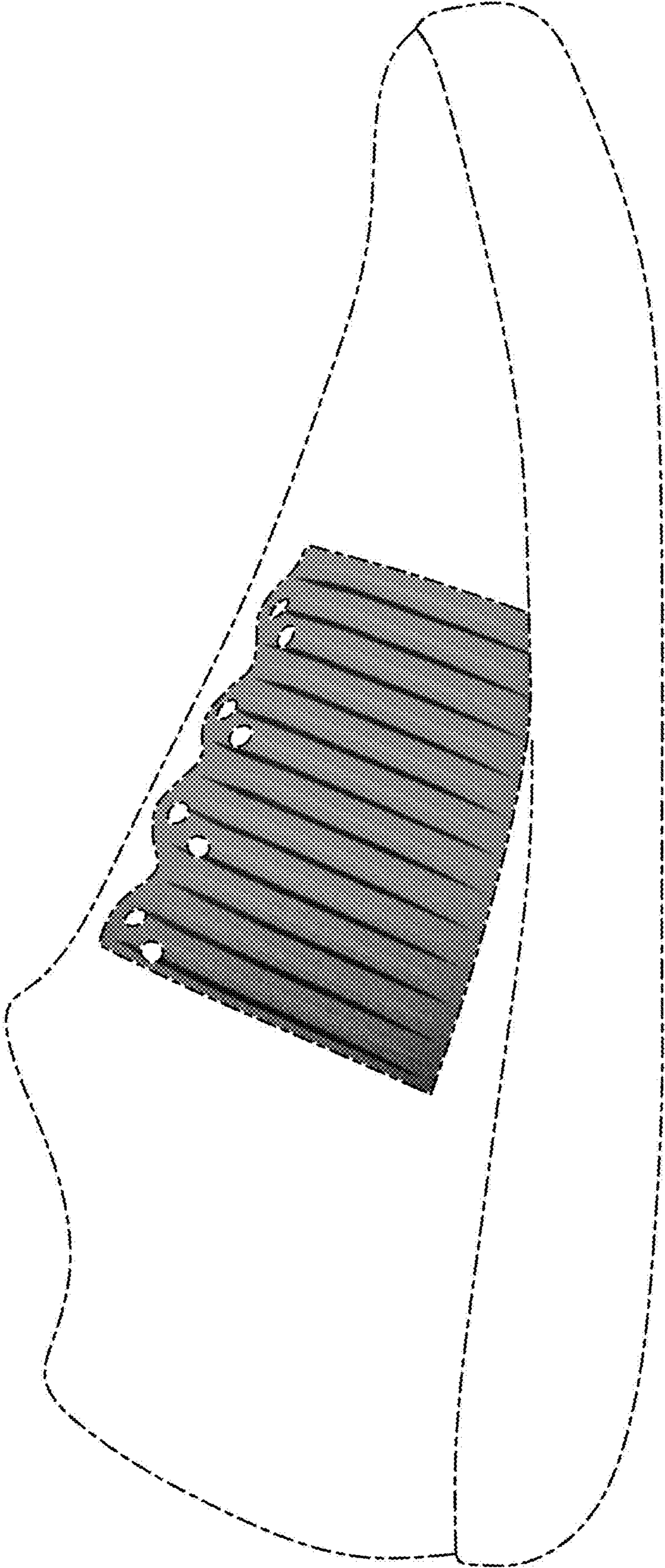


FIG. 2

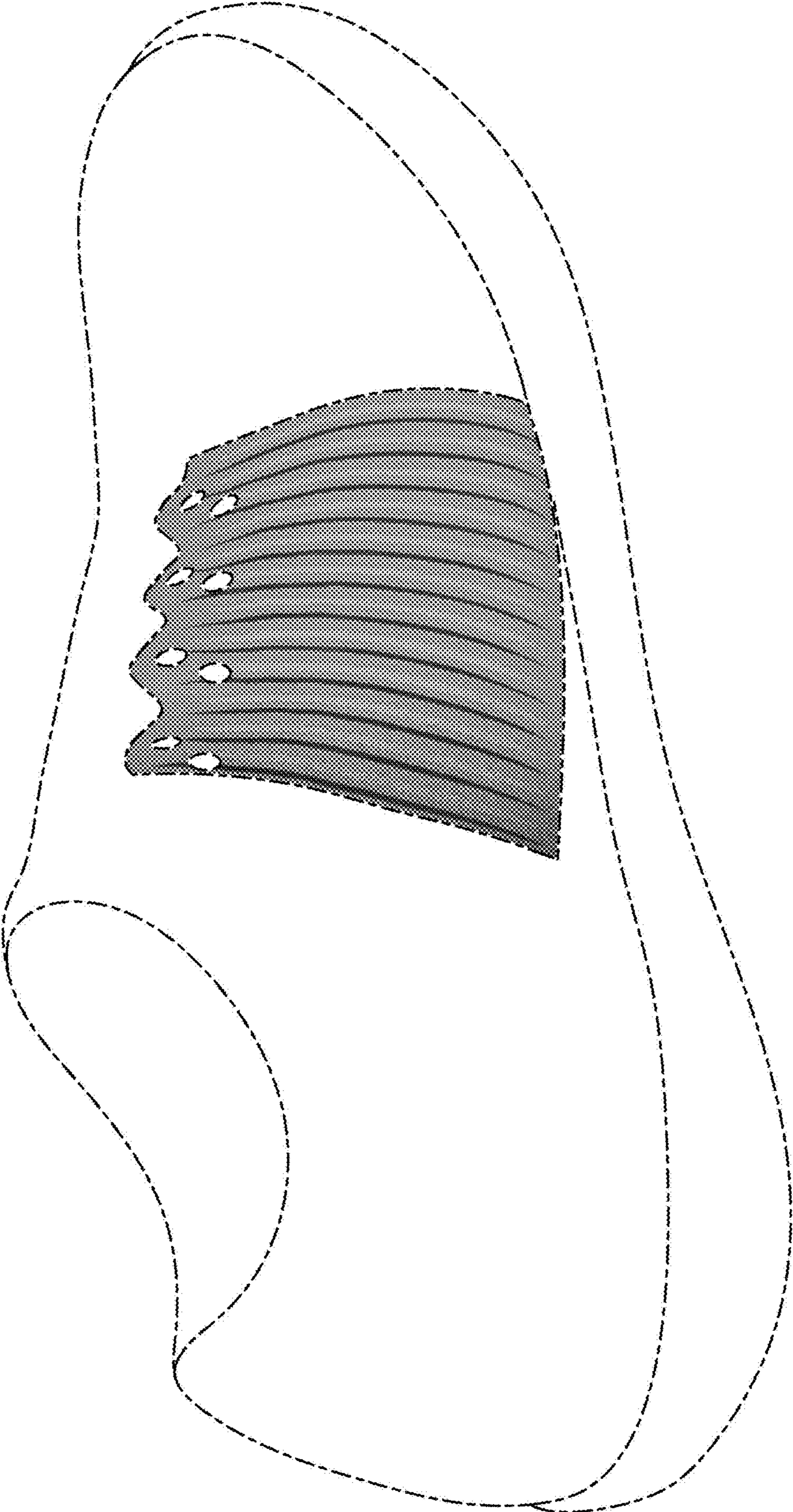


FIG.3