



US00D781542S

(12) **United States Design Patent**
McGhee

(10) **Patent No.:** **US D781,542 S**

(45) **Date of Patent:** **** Mar. 21, 2017**

(54) **FOOTWEAR SOLE**

(71) Applicant: **AIRWAIR INTL. LTD.**, Wollaston,
Northamptonshire (GB)

(72) Inventor: **Malcolm McGhee**, London (GB)

(73) Assignee: **Airwair Intl. Ltd.** (GB)

(**) Term: **15 Years**

(21) Appl. No.: **29/565,142**

(22) Filed: **May 18, 2016**

(51) **LOC (10) Cl.** **02-04**

(52) **U.S. Cl.**
USPC **D2/947; D2/960**

(58) **Field of Classification Search**
USPC D2/902, 906, 908, 916, 918, 925,
D2/946-962, 977; 36/3 B, 22 R, 24.5,
36/25 R, 28, 32 R, 34 R, 59 C, 67 A, 103
CPC A43B 13/00; A43B 13/02; A43B 13/023;
A43B 13/026; A43B 13/04; A43B 13/08;
A43B 13/10; A43B 13/12; A43B 13/14;
A43B 13/141; A43B 13/143; A43B
13/16; A43B 13/18; A43B 13/181; A43B
13/187; A43B 13/189; A43B 13/20; A43B
13/22; A43B 13/223; A43B 13/24; A43B
13/28; A43B 13/30; A43B 13/32; A43B
13/34; A43B 13/36

See application file for complete search history.

(56) **References Cited**

U.S. PATENT DOCUMENTS

D120,248 S *	4/1940	Sbicca	D2/950
2,198,338 A	4/1940	Greider		
D157,034 S *	1/1950	Eldon	D2/902
2,563,751 A	8/1951	Rossi		
D258,546 S	3/1981	Famolare, Jr.		
D263,643 S	4/1982	Vermonet		
D265,144 S	6/1982	Vermonet		

D265,435 S	7/1982	Vermonet		
D266,798 S *	11/1982	Famolare, Jr.	D2/950
4,538,366 A	9/1985	Norton		

(Continued)

OTHER PUBLICATIONS

Dr. Martens [online], [retrieved on Jun. 2, 2016]. Retrieved from the Internet: <URL: <http://www.drmartens.com/us/p/mens-shoes-dirty-dog-john>>.

(Continued)

Primary Examiner — T. Chase Nelson

(74) *Attorney, Agent, or Firm* — Bryan Cave LLP

(57) **CLAIM**

The ornamental design for a footwear sole, as shown and described.

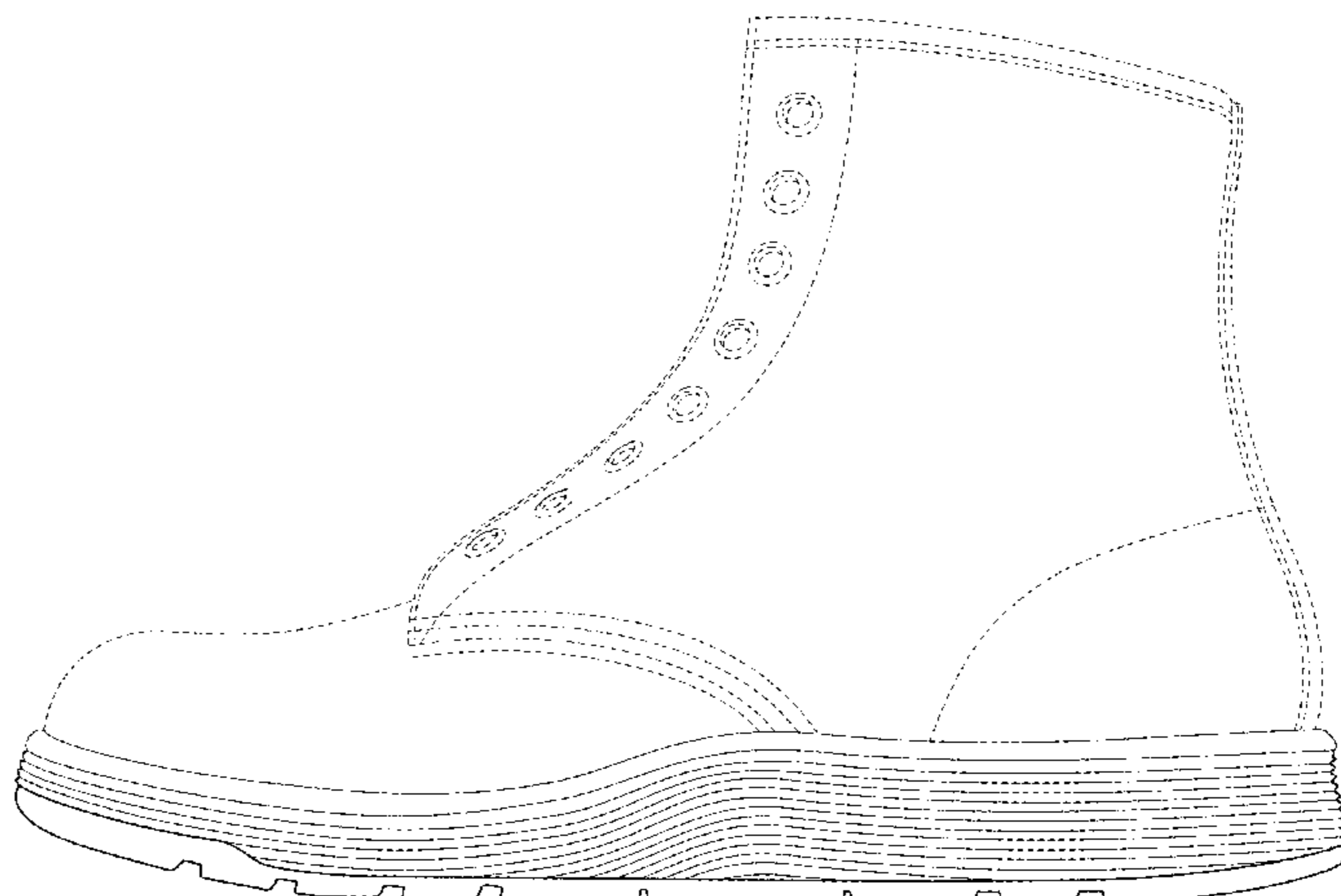
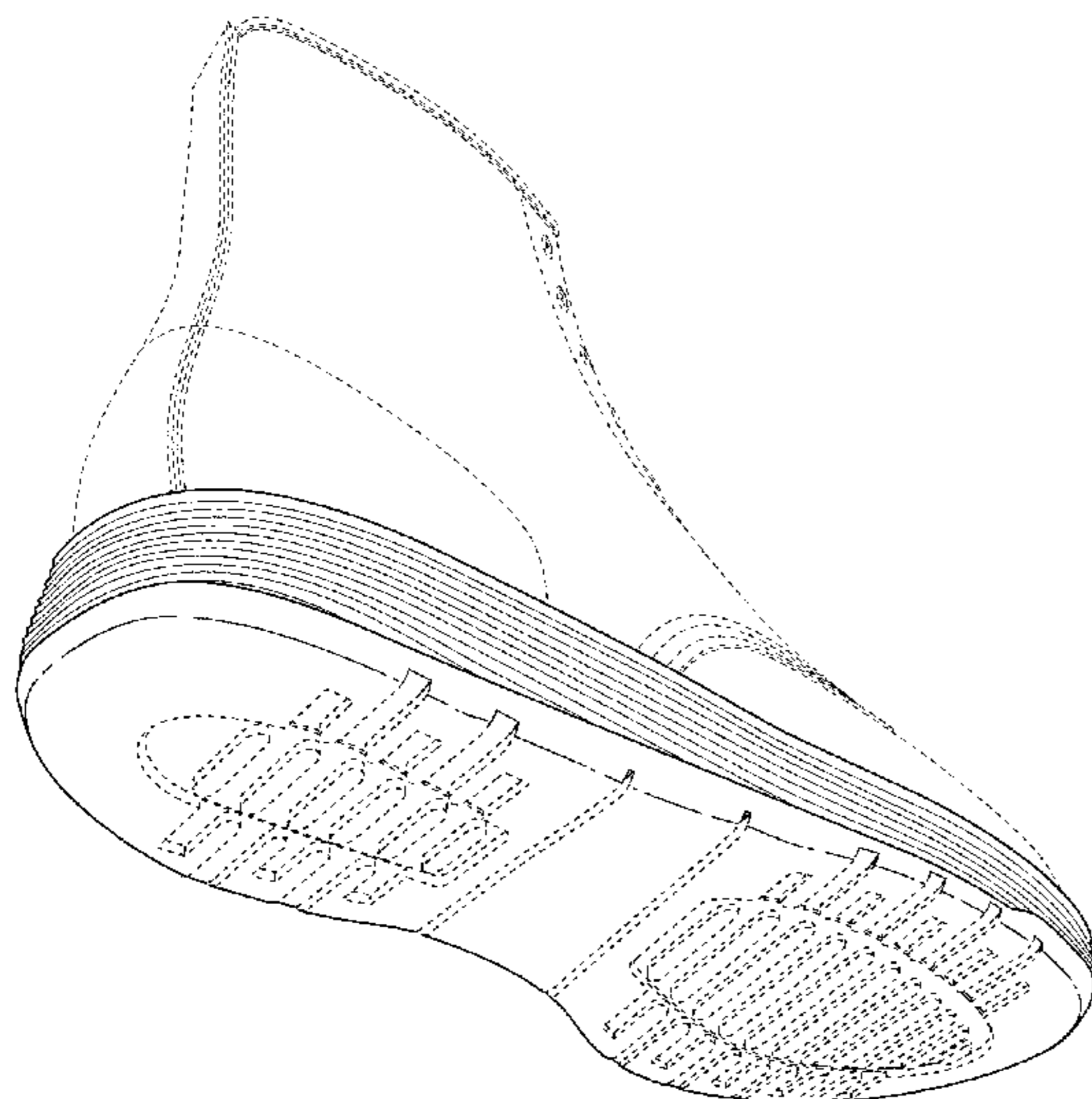
DESCRIPTION

FIG. 1 is a perspective view of a footwear sole;
FIG. 2 is a bottom perspective view thereof;
FIG. 3 is another bottom perspective view thereof;
FIG. 4 is a front view thereof;
FIG. 5 is a rear view thereof;
FIG. 6 is a top view thereof;
FIG. 7 is a bottom view thereof;
FIG. 8 is a right side view thereof; and,
FIG. 9 is a left side view thereof.

The boundary of the claimed design on the bottom is concurrent with the perimeter contour line seen in the FIGS. 2, 3, 4, 5, and 7 views. The portions below and within this perimeter line form no part of the claimed design.

The broken line showings in the figures are for the purpose of illustrating an environment only and form no part of the claimed design.

1 Claim, 9 Drawing Sheets



(56)

References Cited

- U.S. PATENT DOCUMENTS
- 4,680,877 A * 7/1987 Fink A43B 7/06
36/3 B
- D321,975 S 12/1991 Arnulf et al.
D325,805 S 5/1992 Herber
D358,929 S 6/1995 Peterson
D360,064 S 7/1995 Verin
D385,103 S 10/1997 Teague
D385,691 S * 11/1997 Egelja D2/946
D390,351 S * 2/1998 Nevens D2/954
D395,341 S * 6/1998 Greenberg D2/957
D398,743 S 9/1998 Rask
D401,741 S 12/1998 Clarke
5,867,923 A 2/1999 Lehneis
D407,891 S 4/1999 Edwards
D409,361 S * 5/1999 Greenberg D2/957
D415,607 S * 10/1999 Merceron D2/951
D415,610 S 10/1999 Cahill
D416,126 S * 11/1999 Jimenez D2/947
D430,723 S * 9/2000 Kim D2/902
D432,292 S * 10/2000 Kim D2/902
D434,547 S * 12/2000 Kim D2/902
D437,675 S 2/2001 Dahlsten
D449,426 S 10/2001 Pollastrelli
D453,615 S * 2/2002 White D2/947
D458,742 S * 6/2002 Crary D2/977
D461,294 S 8/2002 Cook
D466,278 S * 12/2002 Smith, III D2/977
D469,598 S 2/2003 Wilson
D474,329 S * 5/2003 McClaskie D2/951
D475,843 S 6/2003 Miller
6,578,290 B1 6/2003 Meynard
D483,554 S 12/2003 Burg et al.
D485,422 S 1/2004 Levine
D492,095 S 6/2004 Sanchez et al.
D498,901 S 11/2004 Hawker et al.
D508,307 S 8/2005 Burg et al.
D511,617 S * 11/2005 Matis D2/947
D523,614 S 6/2006 Mitchell
D534,332 S * 1/2007 McClaskie D2/947
D536,162 S * 2/2007 McClaskie D2/947
D579,649 S * 11/2008 McDowell D2/970
D590,139 S 4/2009 Carlucci
D592,837 S 5/2009 Vico et al.
D593,741 S * 6/2009 Vico D2/951
D611,232 S 3/2010 Della Valle et al.
D612,136 S 3/2010 Hubner
D613,480 S 4/2010 Lamont
D623,835 S * 9/2010 Tzenos D2/947
D624,291 S * 9/2010 Henderson D2/946
D634,108 S * 3/2011 Tzenos D2/947
D634,918 S * 3/2011 Katz D2/902
D635,748 S * 4/2011 Katz D2/902
D636,155 S 4/2011 Della Valle et al.
D636,156 S 4/2011 Della Valle et al.
7,941,938 B2 * 5/2011 Yu A43B 7/1415
36/25 R
- D643,189 S * 8/2011 Teteriatnikov D2/946
D643,197 S 8/2011 Teteriatnikov
D643,602 S * 8/2011 Teteriatnikov D2/946
D656,715 S * 4/2012 Katz D2/902
D662,698 S * 7/2012 Pulli D2/947
D666,795 S * 9/2012 Shaffer D2/947
D669,256 S * 10/2012 Castellon D2/951
D671,306 S * 11/2012 Tzenos D2/947
D671,723 S * 12/2012 Teteriatnikov D2/947
D672,123 S * 12/2012 Williams, Jr. D2/947
D680,309 S 4/2013 Raysse
D681,317 S * 5/2013 Della Valle D2/908
D683,937 S 6/2013 Raysse
D690,088 S * 9/2013 Hardman D2/947
D692,217 S * 10/2013 Fogg D2/947
8,607,474 B2 * 12/2013 Spanks A43B 1/0027
36/11.5
- D696,852 S * 1/2014 Madore D2/972
D701,680 S * 4/2014 Della Valle D2/902
- D707,949 S * 7/2014 Vanhook D2/972
D710,579 S 8/2014 Williams, Jr.
D713,625 S 9/2014 Raasch
D713,626 S 9/2014 Raasch
D714,035 S 9/2014 O'Connor
D714,037 S * 9/2014 Della Valle D2/950
D728,914 S * 5/2015 Bove D2/951
D731,767 S * 6/2015 Lan D2/947
D735,462 S * 8/2015 Pauk D2/972
D737,039 S * 8/2015 Pauk D2/972
D737,040 S * 8/2015 Pauk D2/972
D742,107 S * 11/2015 Kasprzak D2/951
D743,153 S * 11/2015 Taylor D2/947
D746,560 S * 1/2016 Verfl D2/947
D747,083 S * 1/2016 Verfl D2/947
9,301,566 B2 * 4/2016 Dojan A43B 1/0018
D756,620 S * 5/2016 Boys D2/947
D768,969 S * 10/2016 Boys D2/947
9,462,850 B2 * 10/2016 Dirsra A43B 13/28
2008/0250671 A1 10/2008 Walsh
2012/0005920 A1 * 1/2012 Alvear A43B 13/125
36/28
2012/0324762 A1 * 12/2012 Soumokil A43B 1/0027
36/103
2013/0167406 A1 7/2013 Wu
2014/0059883 A1 * 3/2014 Adeagbo A43B 13/187
36/28
2014/0150298 A1 * 6/2014 Crowley A43B 7/1445
36/103
2014/0259789 A1 * 9/2014 Dojan A43B 13/122
36/103
2015/0101215 A1 * 4/2015 Henderson A43B 3/0057
36/103
2015/0143722 A1 * 5/2015 Faggin A43B 3/108
36/25 R
2015/0150339 A1 * 6/2015 Van Hook A43B 13/187
36/84
2015/0342300 A1 * 12/2015 Cin A43B 17/003
36/103
2016/0174659 A1 * 6/2016 Lubart A43B 13/22
36/59 C
2016/0198793 A1 * 7/2016 Dombrow A43B 13/187
36/28
2016/0302522 A1 * 10/2016 Meschter A43B 13/122
- OTHER PUBLICATIONS
- Dr. Martens [online], [retrieved on Jun. 2, 2016]. Retrieved from the Internet: <URL: <http://www.drmartens.com/us/p/mens-shoes-grizzly-boyle>>.
- Dr. Martens [online], [retrieved on Jun. 2, 2016]. Retrieved from the Internet: <URL: <http://www.drmartens.com/us/p/mens-boots-kaya-baynes>>.
- Dr. Martens [online], [retrieved on Jun. 2, 2016]. Retrieved from the Internet: <URL: <http://www.drmartens.com/us/p/originals-shoes-smooth-3989-brogue-shoe-bex-34-f-wt>>.
- Dr. Martens [online], [retrieved on Jun. 2, 2016]. Retrieved from the Internet: <URL: <http://www.drmartens.com/us/p/mens-boots-wyoming-hi-suede-pier>>.
- Dr. Martens [online], [retrieved on Jun. 2, 2016]. Retrieved from the Internet: <URL: <http://www.drmartens.com/us/p/mens-boots-grizzly-conrad>>.
- Dr. Martens [online], [retrieved on Jun. 2, 2016]. Retrieved from the Internet: <URL: <http://www.drmartens.com/us/p/originals-sandals-grizzly-8092>>.
- Dr. Martens [online], [retrieved on Jun. 2, 2016]. Retrieved from the Internet: <URL: <http://www.drmartens.com/us/p/mens-shoes-brando-torriano>>.
- Dr. Martens [online], [retrieved on Jun. 2, 2016]. Retrieved from the Internet: <URL: <http://www.drmartens.com/us/p/mens-boots-wildhorse-lamper-maleke>>.
- Dr. Martens [online], [retrieved on Jun. 2, 2016]. Retrieved from the Internet: <URL: <http://www.drmartens.com/us/p/mens-boots-extra-tough-nylon-rubbery-bonny>>.

(56)

References Cited

OTHER PUBLICATIONS

Dr. Martens [online], [retrieved on Jun. 2, 2016]. Retrieved from the Internet: <URL: <http://www.drmartens.com/us/p/originals-shoes-polished-smooth-leigh>>.

Dr. Martens [online], [retrieved on Jun. 2, 2016]. Retrieved from the Internet: <URL: <http://www.drmartens.com/us/p/originals-shoes-inuck-louis>>.

Dr. Martens [online], [retrieved on Jun. 2, 2016]. Retrieved from the Internet: <URL: <http://www.drmartens.com/us/p/mens-shoes-wyoming-coronado>>.

Trademark Registration No. 2,102,468 for Footwear, registered Oct. 7, 1997.

Trademark Registration No. 2,104,349 for Footwear, registered Oct. 7, 1997.

* cited by examiner



FIG. 1

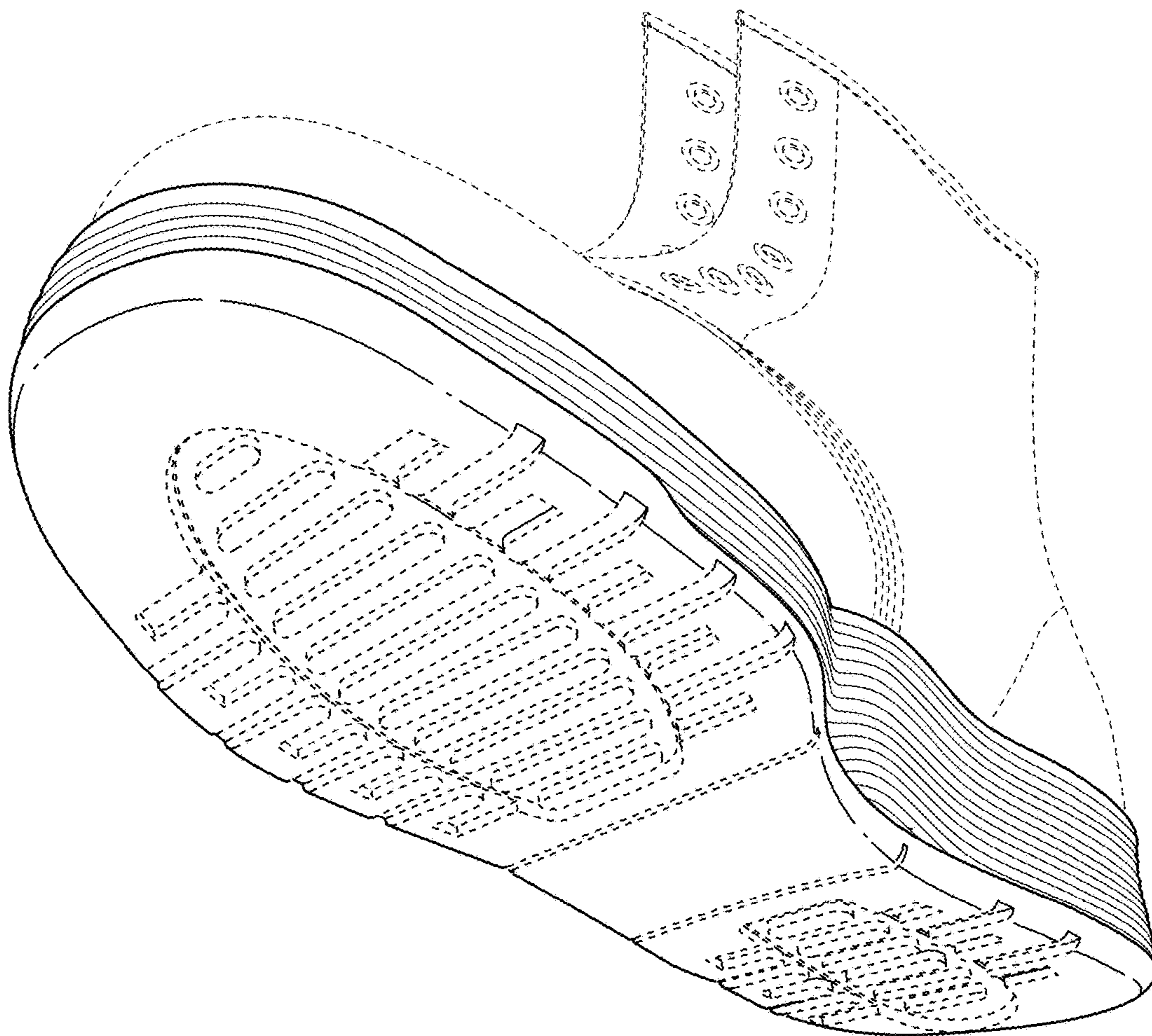


FIG. 2

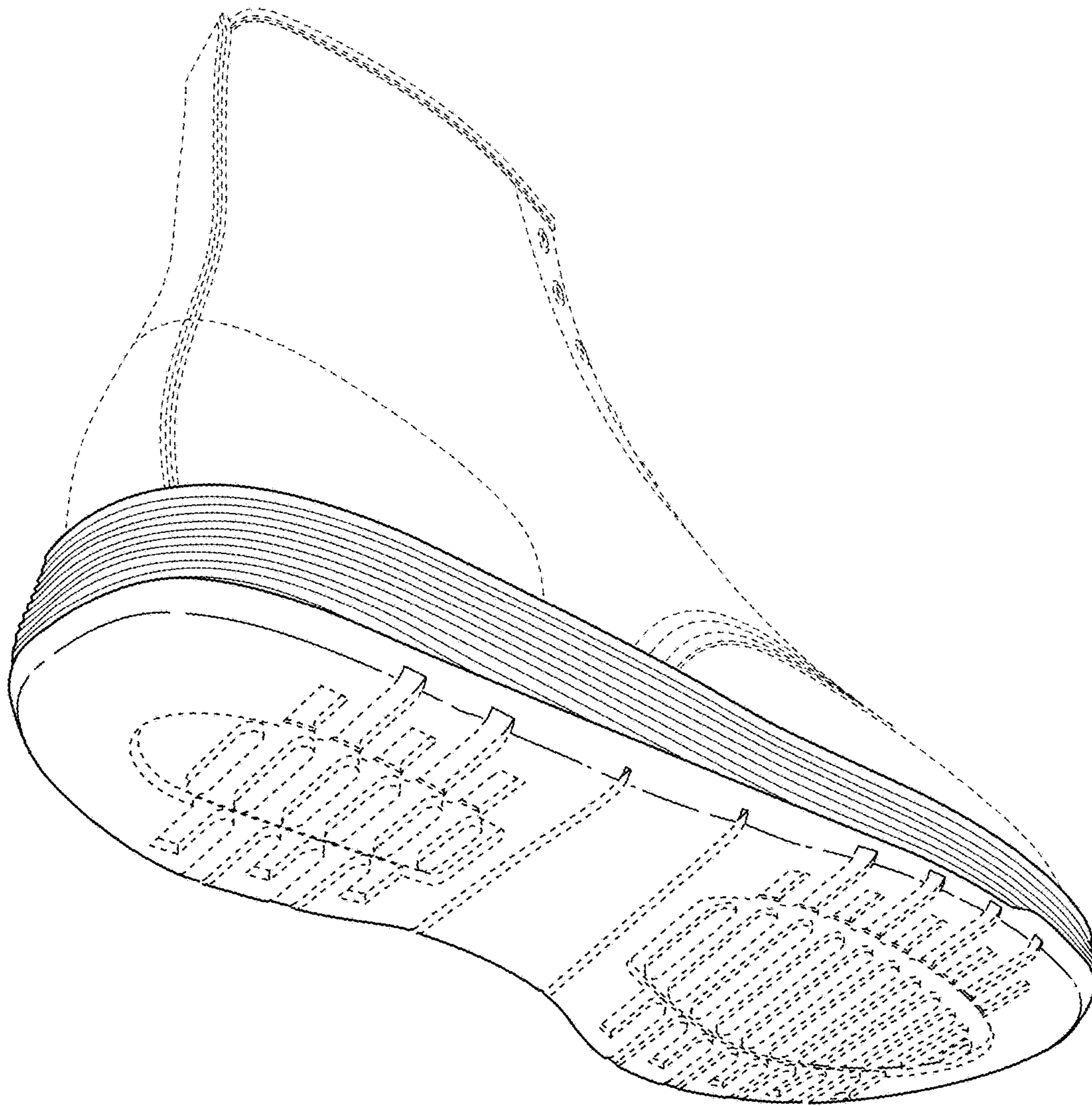


FIG. 3

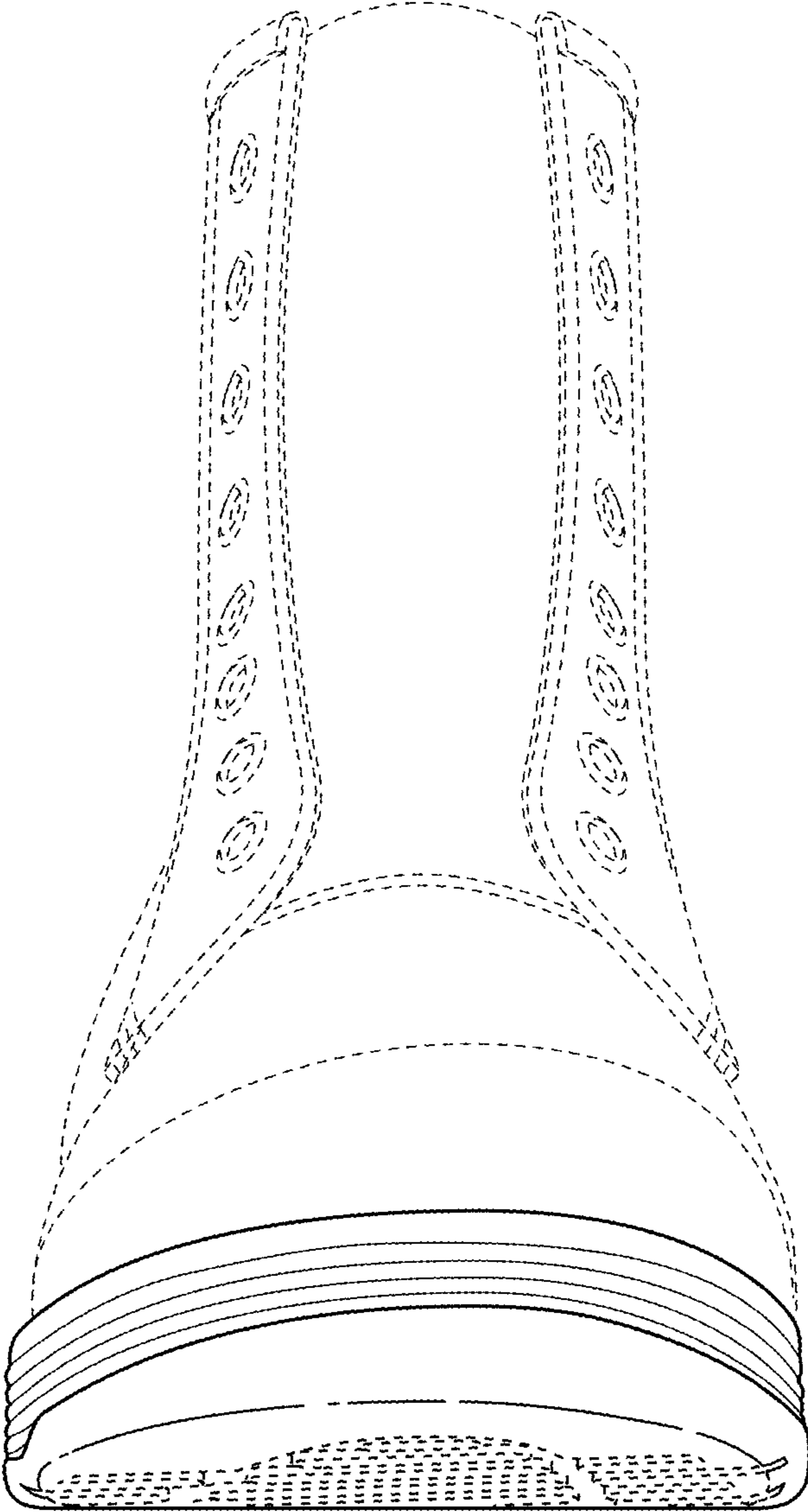


FIG. 4

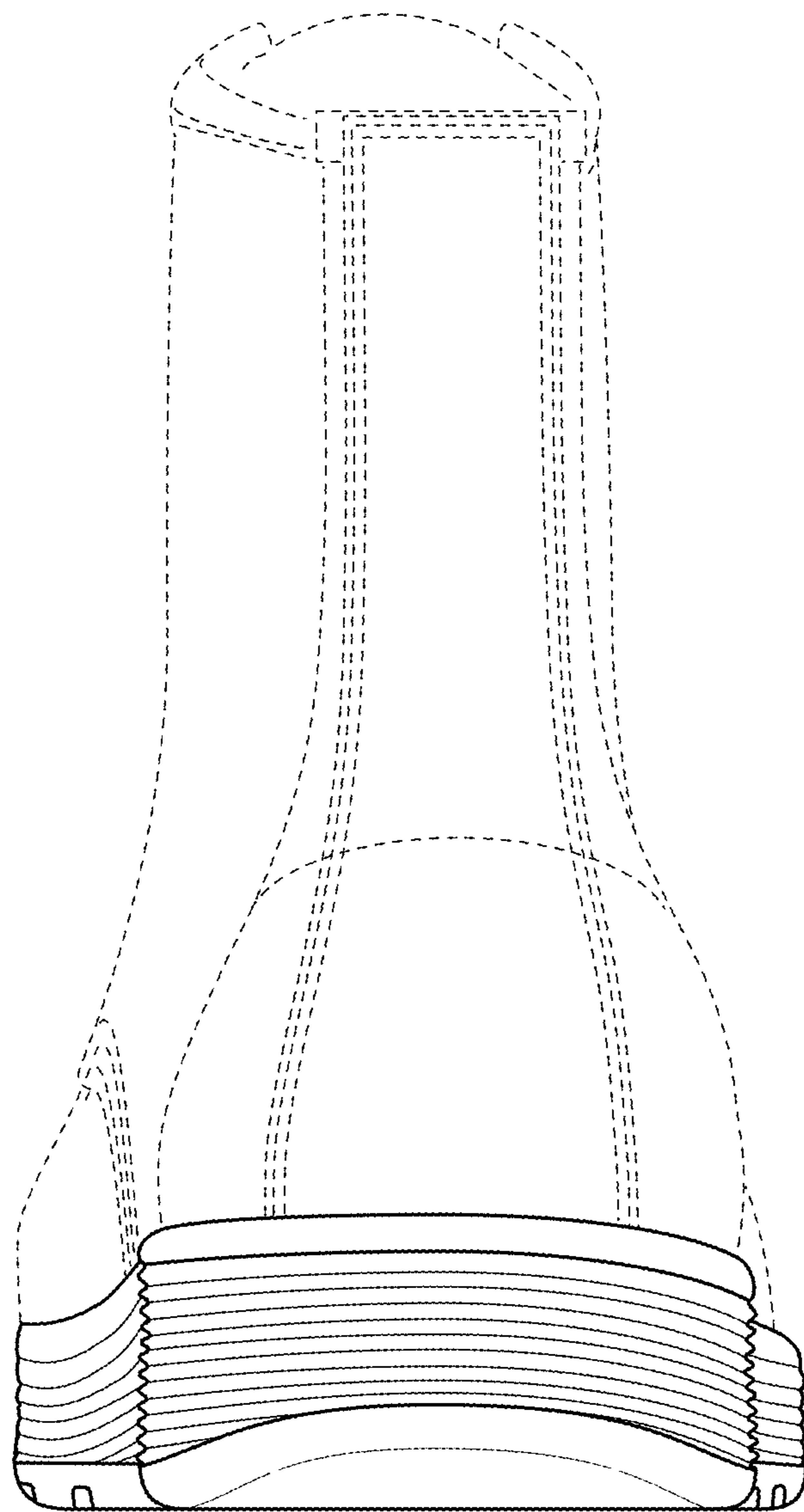


FIG. 5

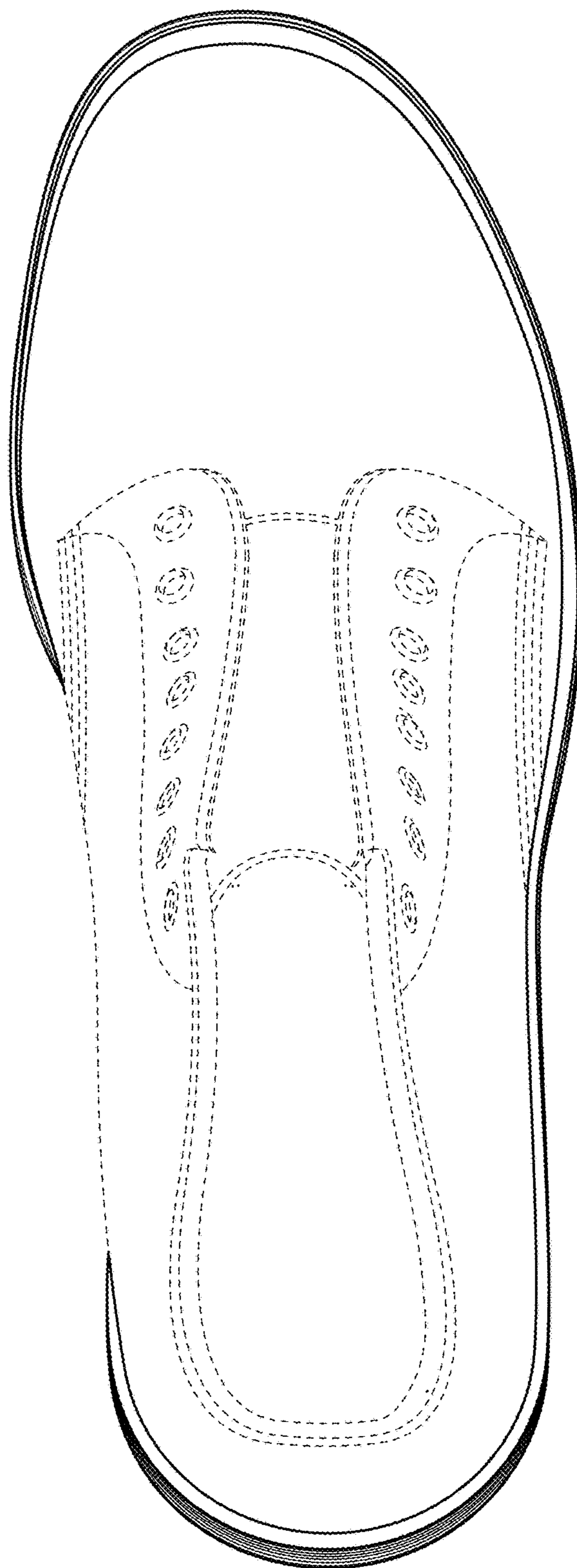


FIG. 6

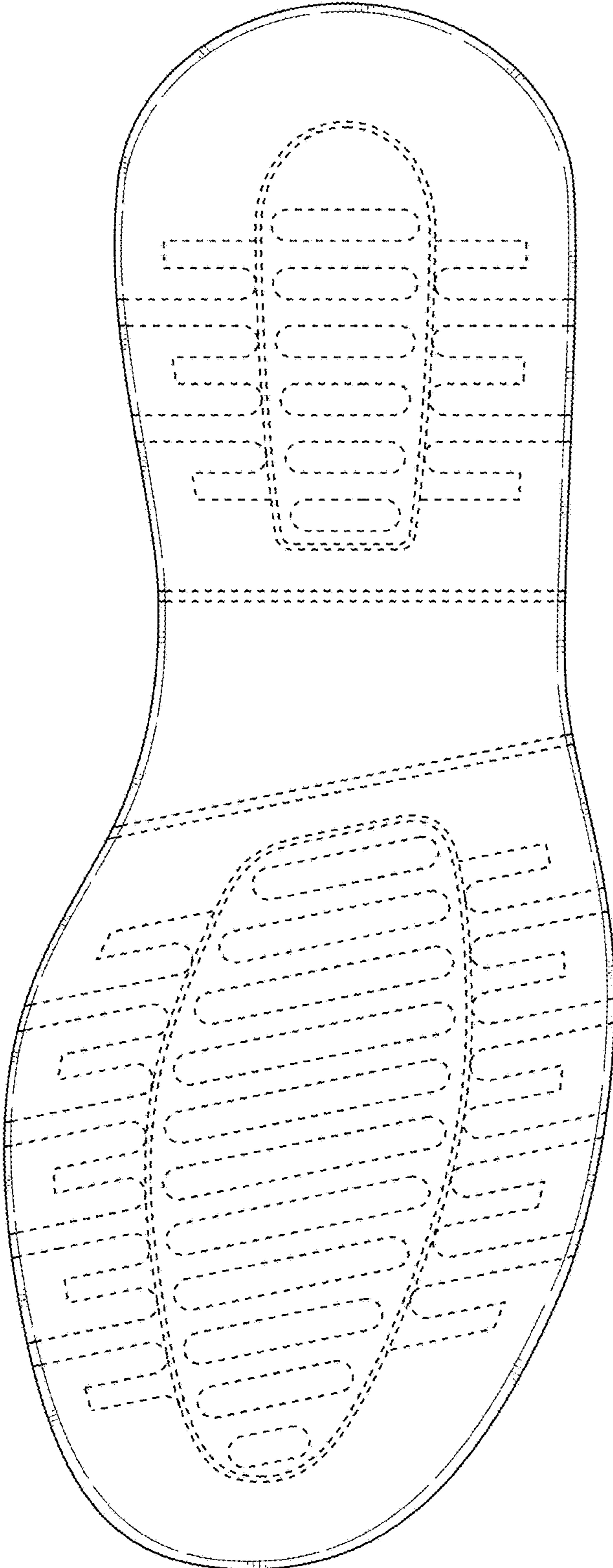


FIG. 7

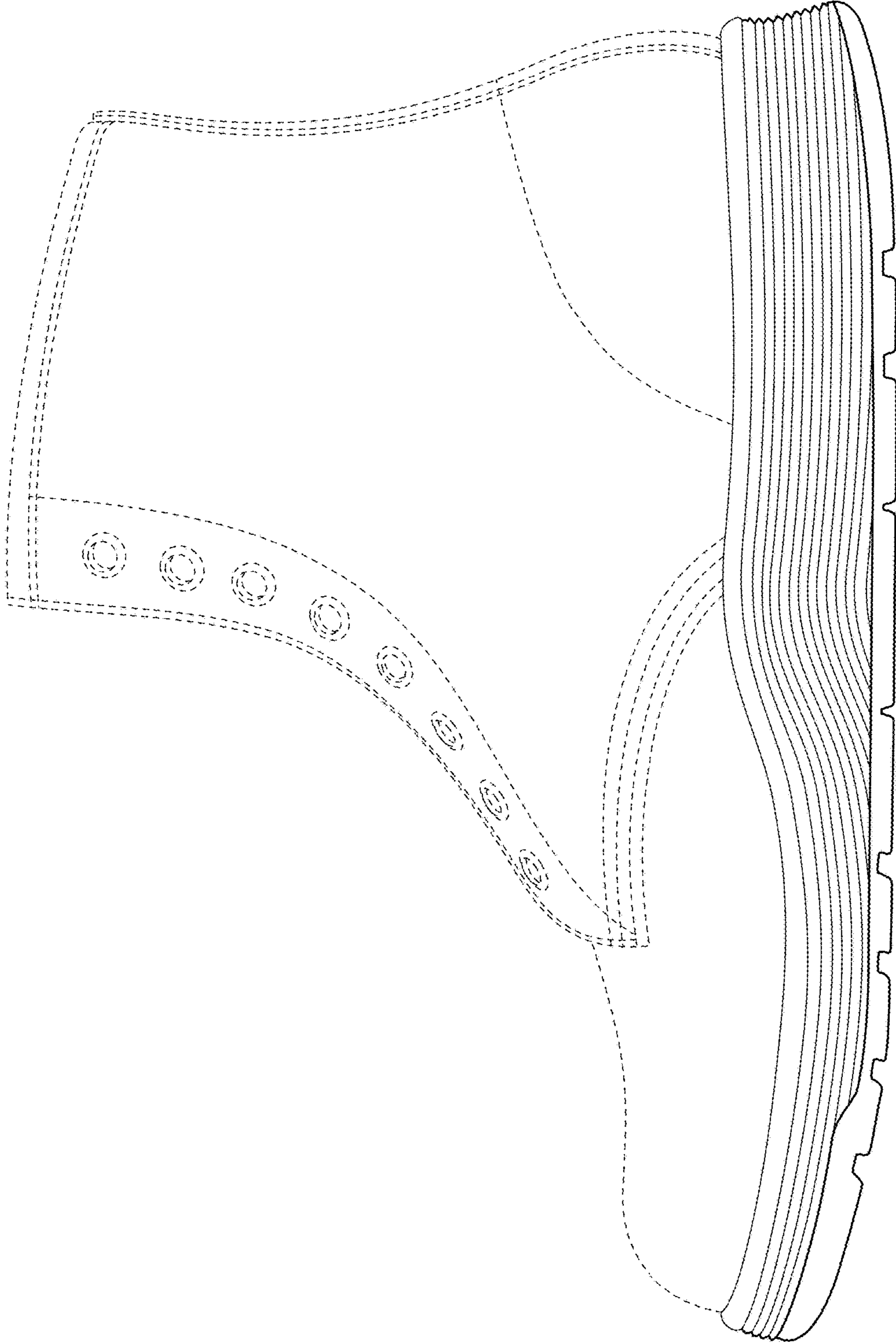


FIG. 8

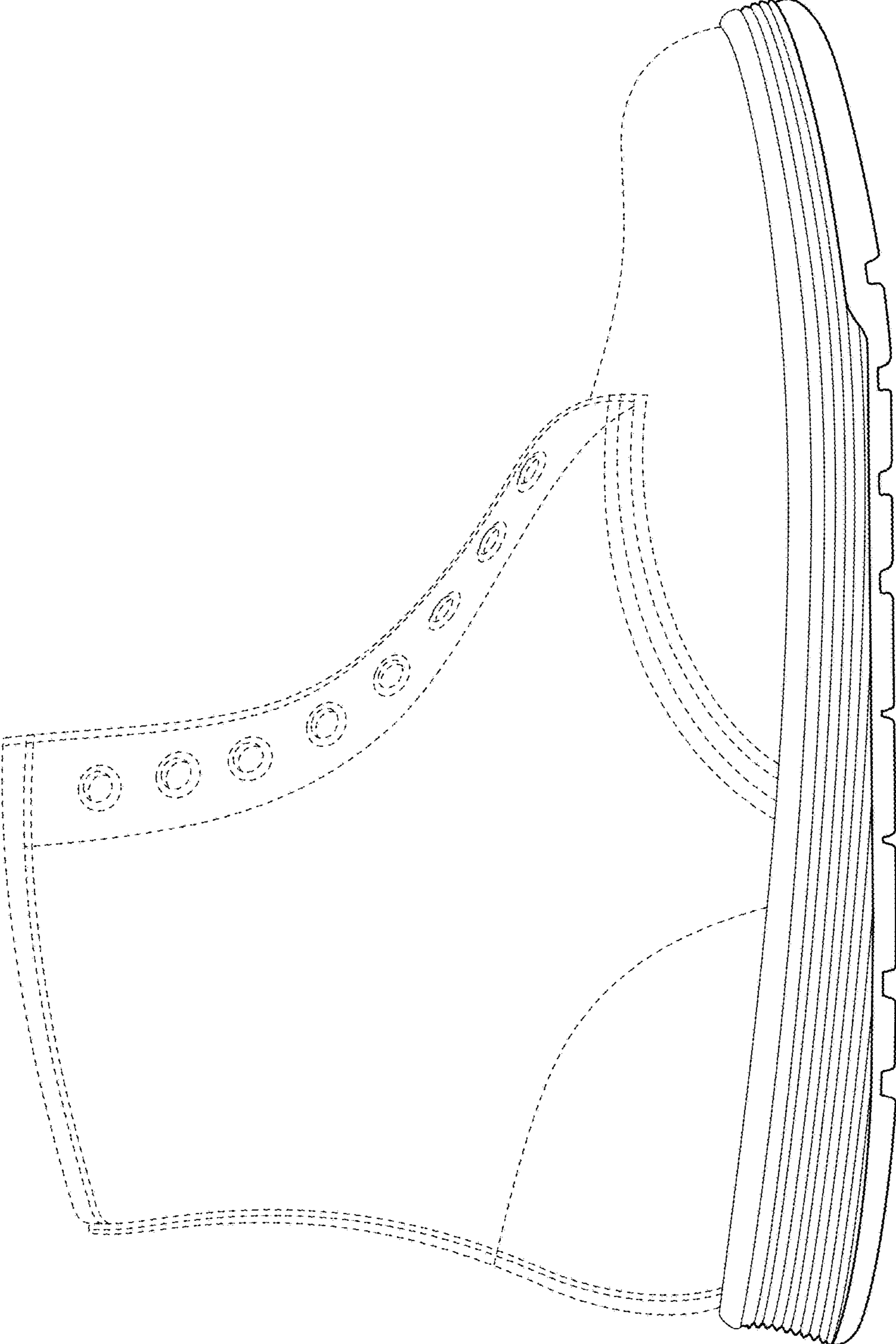


FIG. 9