



US00D781528S

(12) **United States Design Patent** (10) **Patent No.:** **US D781,528 S**  
**Kennedy** (45) **Date of Patent:** **\*\* Mar. 21, 2017**

(54) **HOSPITAL GOWN**  
(71) Applicant: **Tracey L. Kennedy**, Akron, OH (US)  
(72) Inventor: **Tracey L. Kennedy**, Akron, OH (US)  
(\*\*) Term: **15 Years**  
(21) Appl. No.: **29/534,829**  
(22) Filed: **Jul. 31, 2015**  
(51) **LOC (10) Cl.** ..... **02-02**  
(52) **U.S. Cl.**  
USPC ..... **D2/739**  
(58) **Field of Classification Search**  
USPC ..... D2/724-727, 739, 749-755, 828-850  
CPC ... A41D 3/00; A41D 3/04; A41D 3/10; A41D  
3/043; A41D 3/046; A41D 3/0506; A41D  
3/0512; A41D 3/0518; A41D 3/0525;  
A41D 3/0556; A41D 3/0575; A41D  
3/0537; A41D 3/1209; A41D 3/1227;  
A41D 15/00; A41D 27/02; A41D 27/12;  
A41D 27/13; A41D 27/20; A41D 27/205;  
A41D 29/00  
See application file for complete search history.

(56) **References Cited**  
U.S. PATENT DOCUMENTS  
5,184,351 A \* 2/1993 Benstock ..... A41D 13/1236  
2/105  
D431,344 S \* 10/2000 Briceno ..... D2/720  
D495,468 S \* 9/2004 Wheeler-Dickson et al.  
D564,730 S \* 3/2008 Farrell ..... D2/720  
D574,126 S \* 8/2008 McCray ..... D2/720  
7,418,741 B2 9/2008 Rogers  
D584,882 S \* 1/2009 Trouillot ..... D2/720  
8,069,497 B2 12/2011 Sheward et al.  
D656,710 S \* 4/2012 Farris ..... D2/720  
D657,529 S \* 4/2012 Farris ..... D2/720  
D657,530 S \* 4/2012 Farris ..... D2/720  
8,359,666 B2 1/2013 Appel et al.  
8,821,461 B2 9/2014 Kovensky

D721,869 S \* 2/2015 Bernier ..... D2/720  
D736,494 S \* 8/2015 Mellott ..... D2/739  
D738,591 S \* 9/2015 Criss ..... D2/720  
D741,569 S \* 10/2015 Fredrickson ..... D2/720  
2008/0168592 A1 7/2008 Silver  
2008/0184455 A1\* 8/2008 Blume ..... A41D 13/1281  
2/114  
2009/0100569 A1\* 4/2009 Butler ..... A41D 13/1236  
2/114  
2010/0242150 A1 9/2010 Trouillot  
(Continued)

**OTHER PUBLICATIONS**

Imperial Patient Iv Gown 3X/5X/10X, posted at hyshealthcare.com, earliest date available Sep. 12, 2009, [online], acquired on Aug. 31, 2016. Available from Internet, <URL: http://www.hyshealthcare.com/Patient\_Gowns.aspx>.\*

*Primary Examiner* — Cathron Brooks  
*Assistant Examiner* — Aula Soroush  
(74) *Attorney, Agent, or Firm* — Robert C Montgomery;  
Montgomery Patent & Design

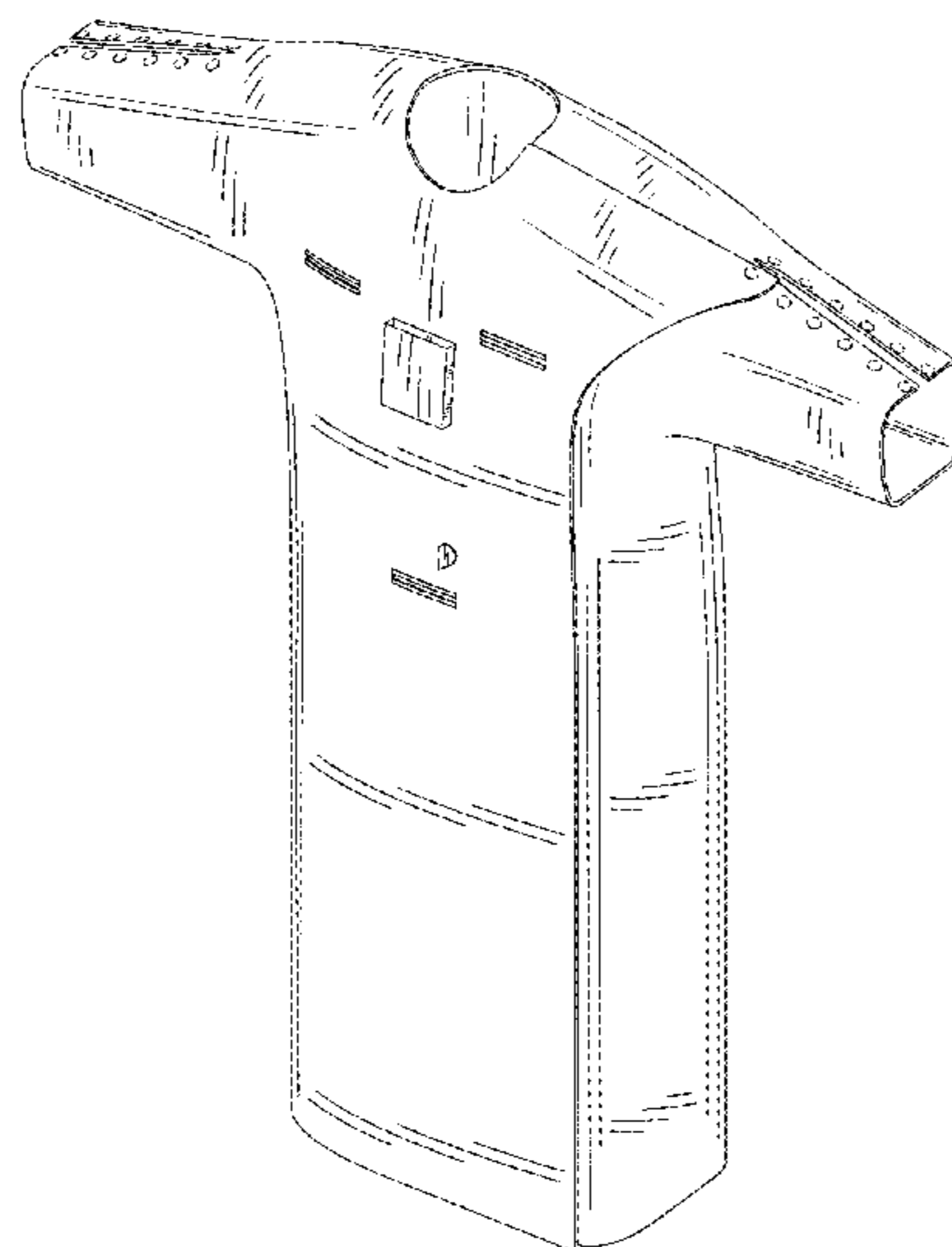
(57) **CLAIM**

The ornamental design for a hospital gown, as shown and described.

**DESCRIPTION**

FIG. 1 is a perspective front view of the hospital gown, showing my new design;  
FIG. 2 is a front side view thereof;  
FIG. 3 is a back side view thereof;  
FIG. 4 is a left side view thereof;  
FIG. 5 is a right side view thereof;  
FIG. 6 is a top side view thereof; and,  
FIG. 7 is a bottom side view thereof.  
The broken lines showing of circular features in FIGS. 1-7 illustrate boundary lines and form no part of the claimed design.

**1 Claim, 7 Drawing Sheets**



(56)

**References Cited**

U.S. PATENT DOCUMENTS

2011/0230863 A1 9/2011 Lentini  
2011/0231981 A1 9/2011 Appel et al.

\* cited by examiner

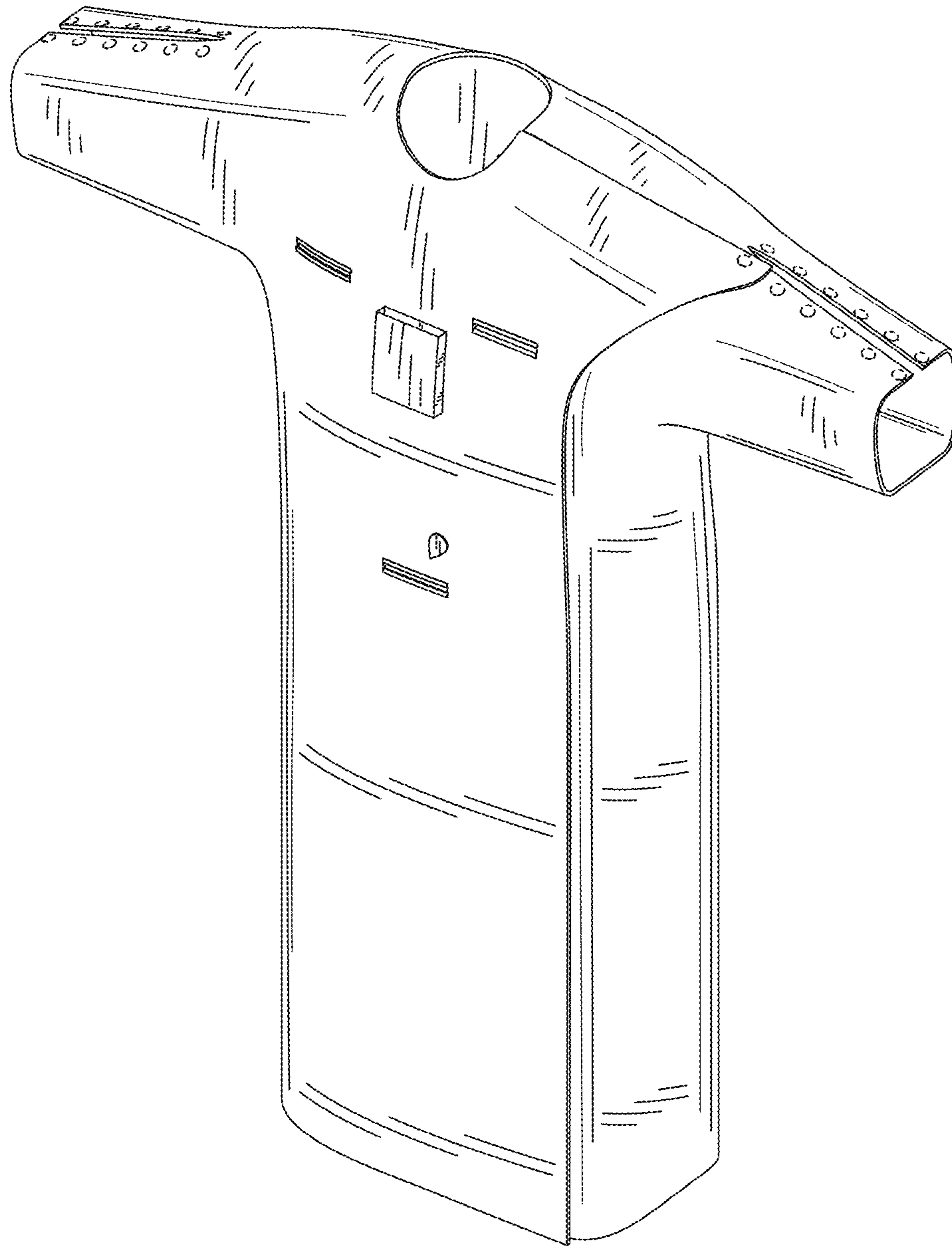


FIG. 1

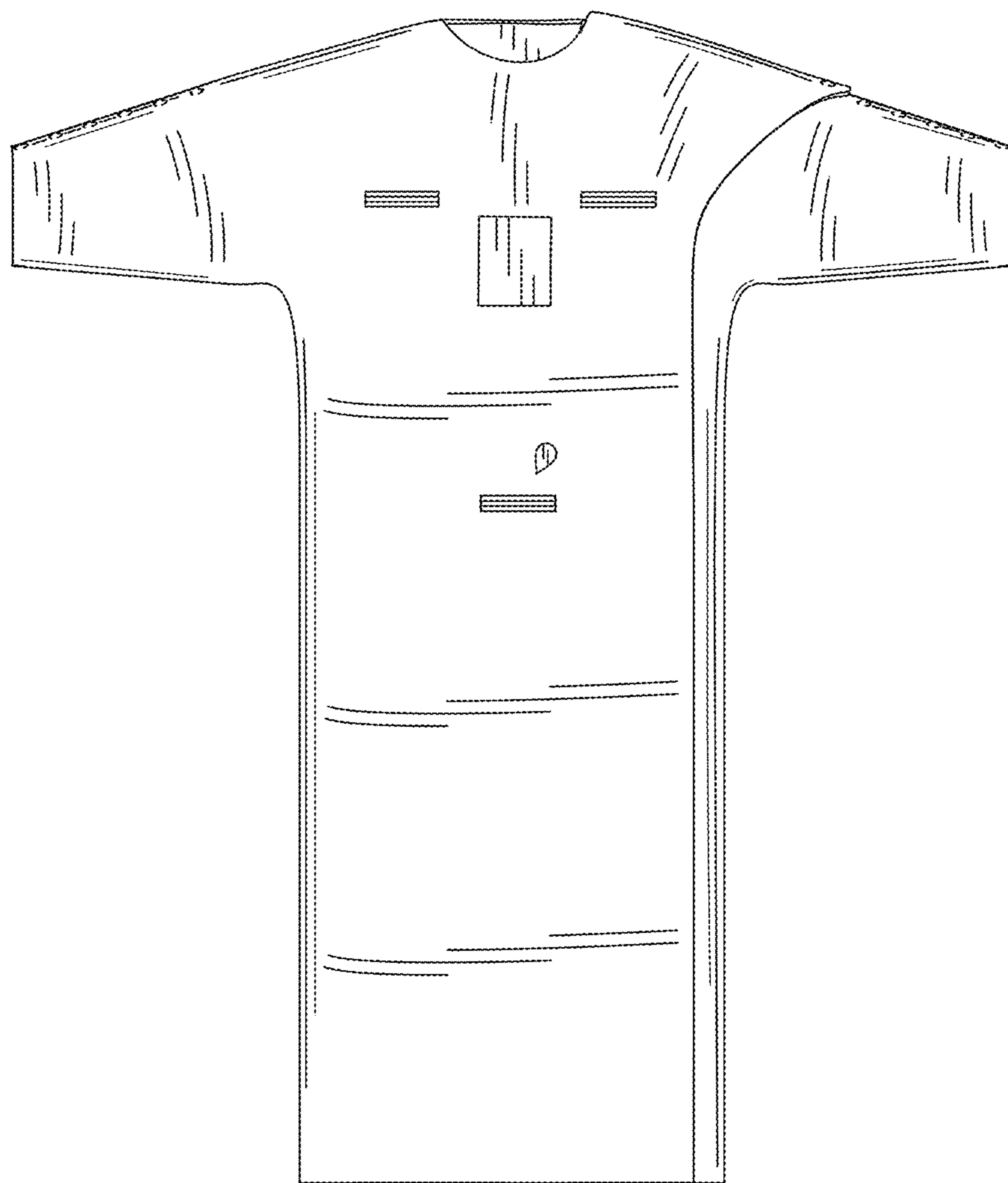


FIG. 2

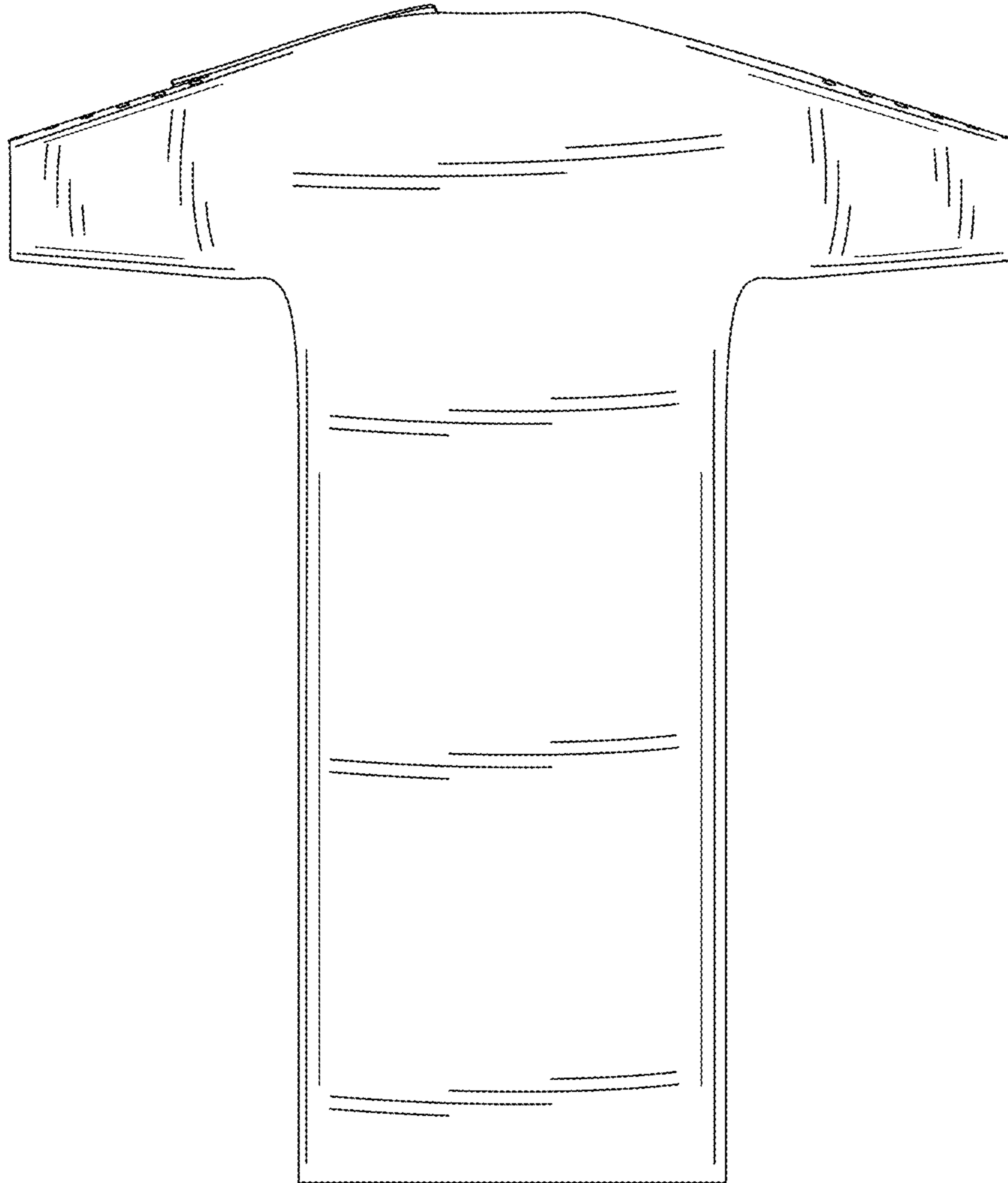


FIG. 3

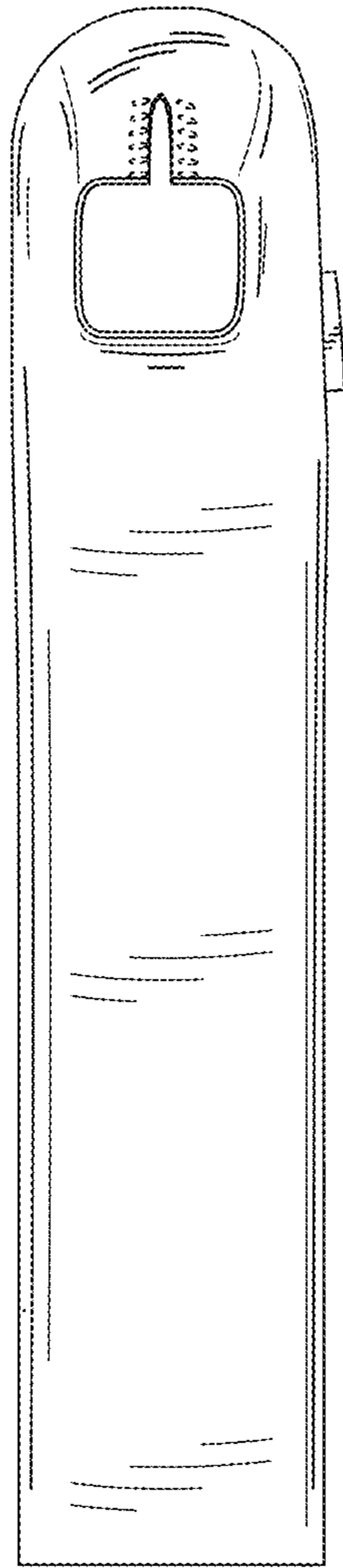


FIG. 4

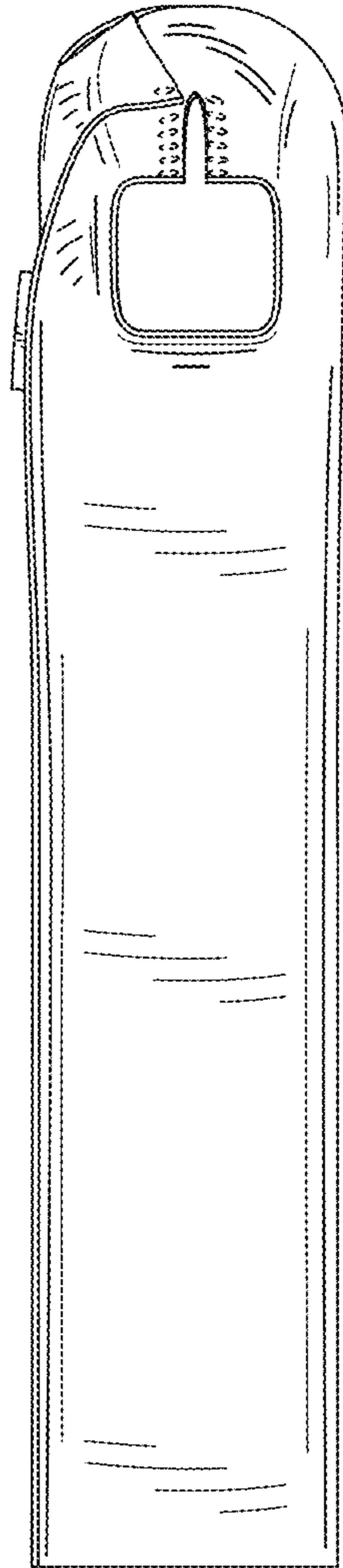


FIG. 5

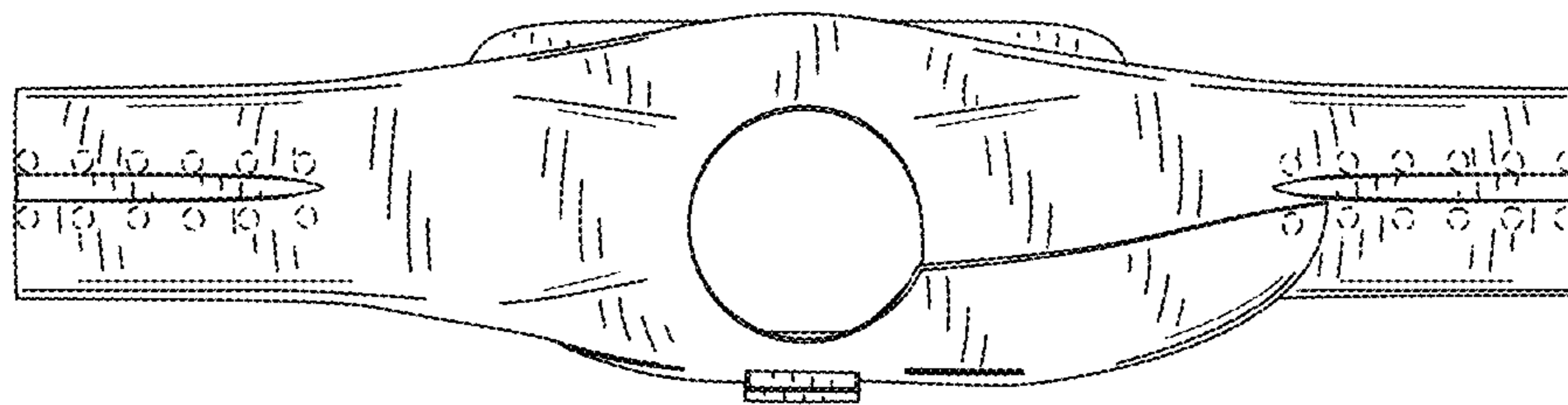


FIG. 6



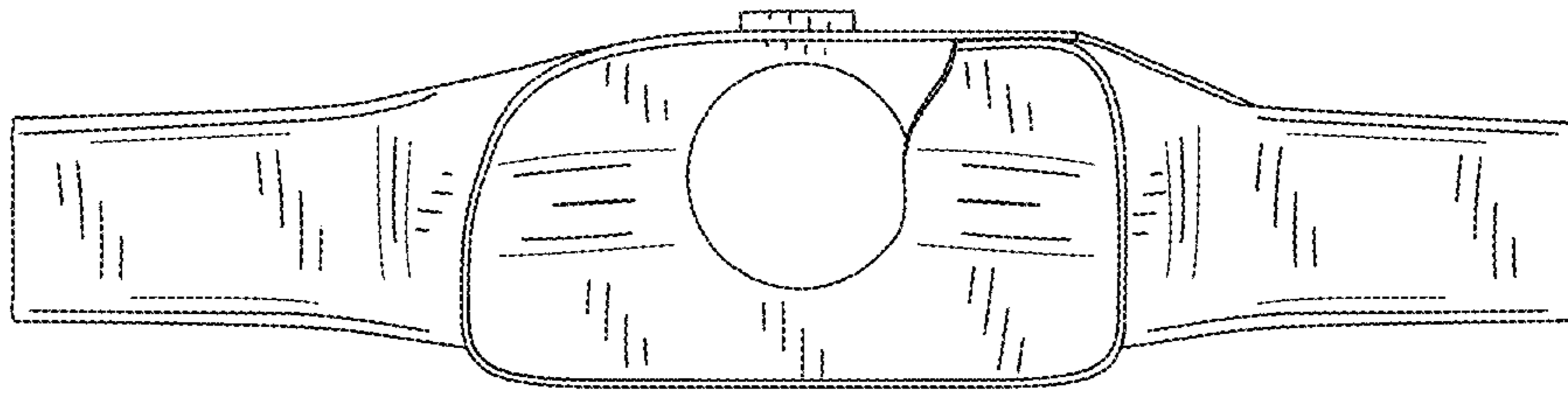


FIG. 7