



US00D781523S

(12) **United States Design Patent** (10) **Patent No.:** **US D781,523 S**
Roberts (45) **Date of Patent:** **** Mar. 14, 2017**

(54) **PALLET ASSEMBLY**
(71) Applicant: **Oddello Industries, LLC**, Morristown, TN (US)
(72) Inventor: **Thomas A. Roberts**, Dandridge, TN (US)
(73) Assignee: **Oddello Industries, LLC**, Morristown, TN (US)
(**) Term: **15 Years**
(21) Appl. No.: **29/540,658**
(22) Filed: **Sep. 25, 2015**
(51) **LOC (10) Cl.** **09-08**
(52) **U.S. Cl.**
USPC **D34/38**
(58) **Field of Classification Search**
USPC D34/35, 38; 108/51.11, 52.1, 53.1, 55.1, 108/55.3, 55.5, 57.13, 53.3, 53.5, 56.1, 108/57.14, 57.16, 901, 51.3, 57.25, 54.1, 108/57.28; 206/506, 507, 509, 386, 597, 206/599, 600
CPC B65D 2519/00273; B65D 2519/00293; B65D 2519/00034; B65D 2519/00069; B65D 2519/00323; B65D 2519/00288; B65D 2519/00318; B65D 2519/00567; B65D 2519/00104
See application file for complete search history.

(56) **References Cited**
U.S. PATENT DOCUMENTS
D357,108 S * 4/1995 Hutchison D34/38
5,493,962 A * 2/1996 McCarthy B65D 19/0026
108/51.3
9,394,078 B1 * 7/2016 Roberts B65D 19/0073

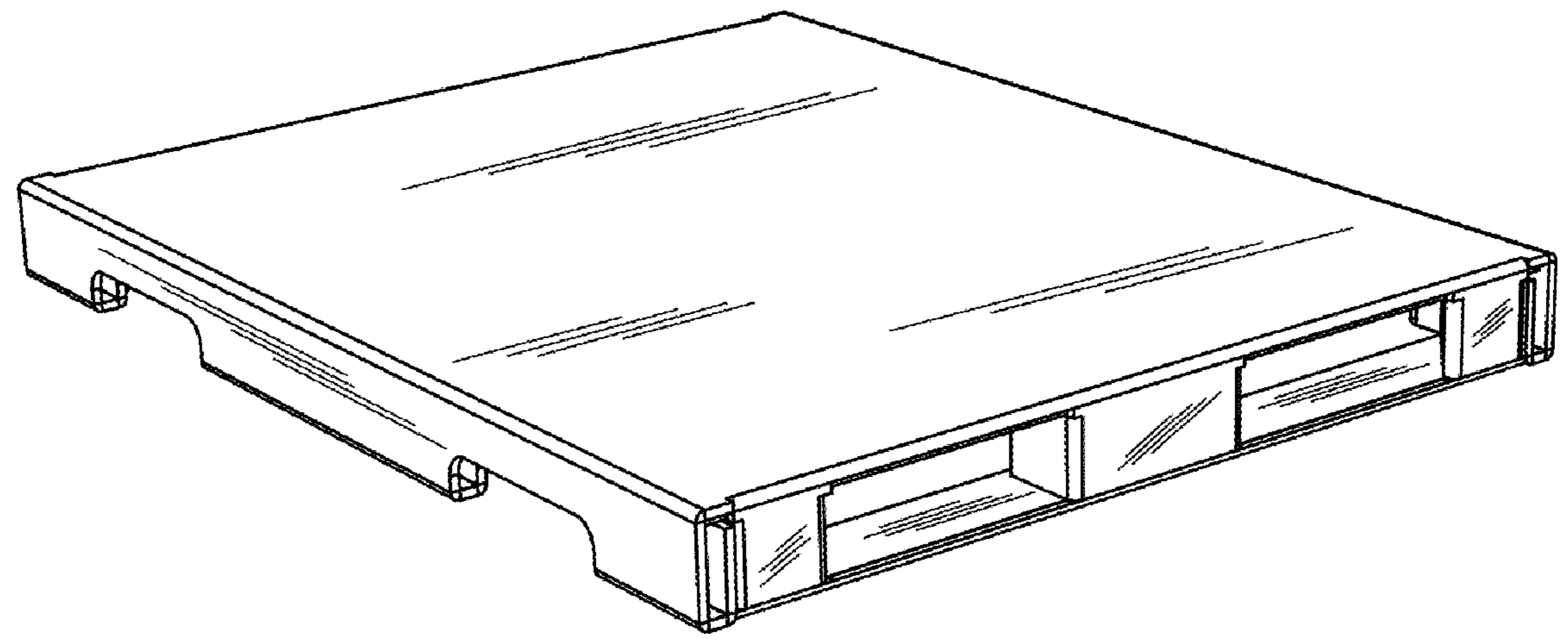
2006/0065169 A1* 3/2006 Chen B65D 19/0026
108/51.3
2006/0225626 A1* 10/2006 Olvey B65D 19/0002
108/51.3
2013/0327680 A1* 12/2013 Reynolds, Jr. B65D 19/38
206/600
2014/0137775 A1* 5/2014 Plattner B65D 19/0016
108/57.26
2015/0239609 A1* 8/2015 Olvey B65D 19/0012
108/51.3

* cited by examiner
Primary Examiner — Cynthia Ramirez
Assistant Examiner — Gino Colan
(74) *Attorney, Agent, or Firm* — Shaddock Law Group, PC

(57) **CLAIM**
The ornamental design for a pallet assembly, as shown and described.

DESCRIPTION
FIG. 1 is a top, left, front perspective view of a pallet assembly, showing my new design;
FIG. 2 is a top, front, left perspective view thereof;
FIG. 3 is a bottom, left, front perspective view thereof;
FIG. 4 is a bottom, front, left perspective view thereof;
FIG. 5 is a bottom, front perspective view thereof;
FIG. 6 is a bottom, left perspective view thereof;
FIG. 7 is a top plan view thereof;
FIG. 8 is a bottom plan view thereof;
FIG. 9 is a front elevational view thereof, the rear elevational view being a mirror image of the front elevational view; and,
FIG. 10 is a right elevational view thereof, the left elevational view being a mirror image of the right elevational view.

1 Claim, 5 Drawing Sheets



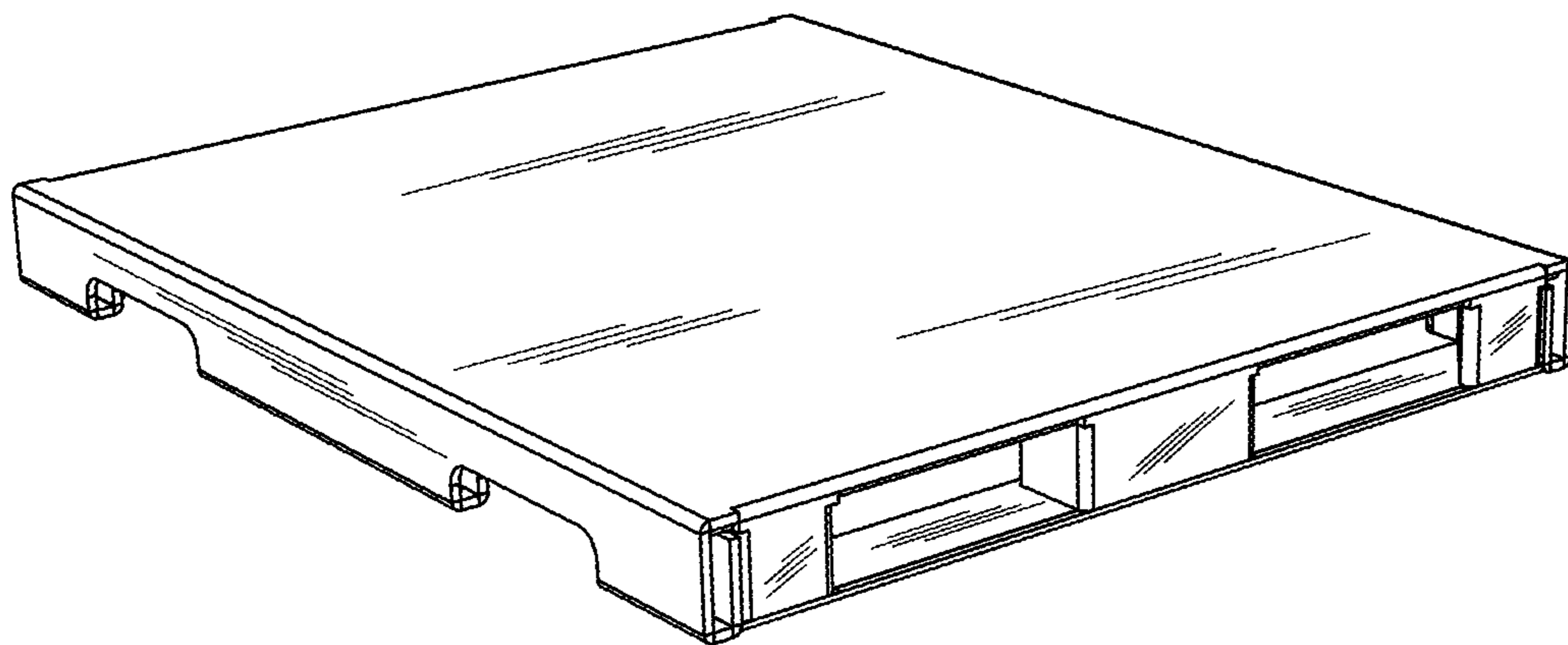


FIG. 1

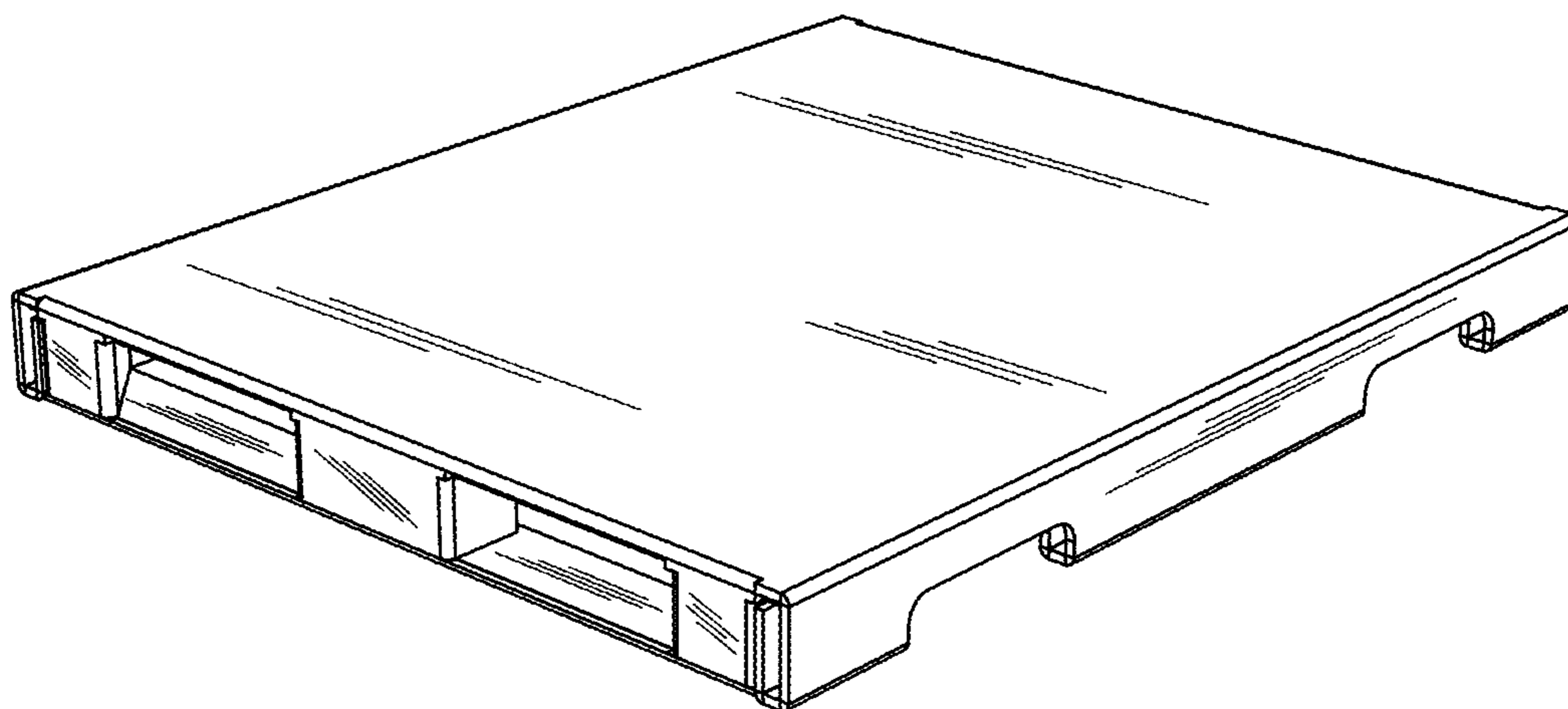


FIG. 2

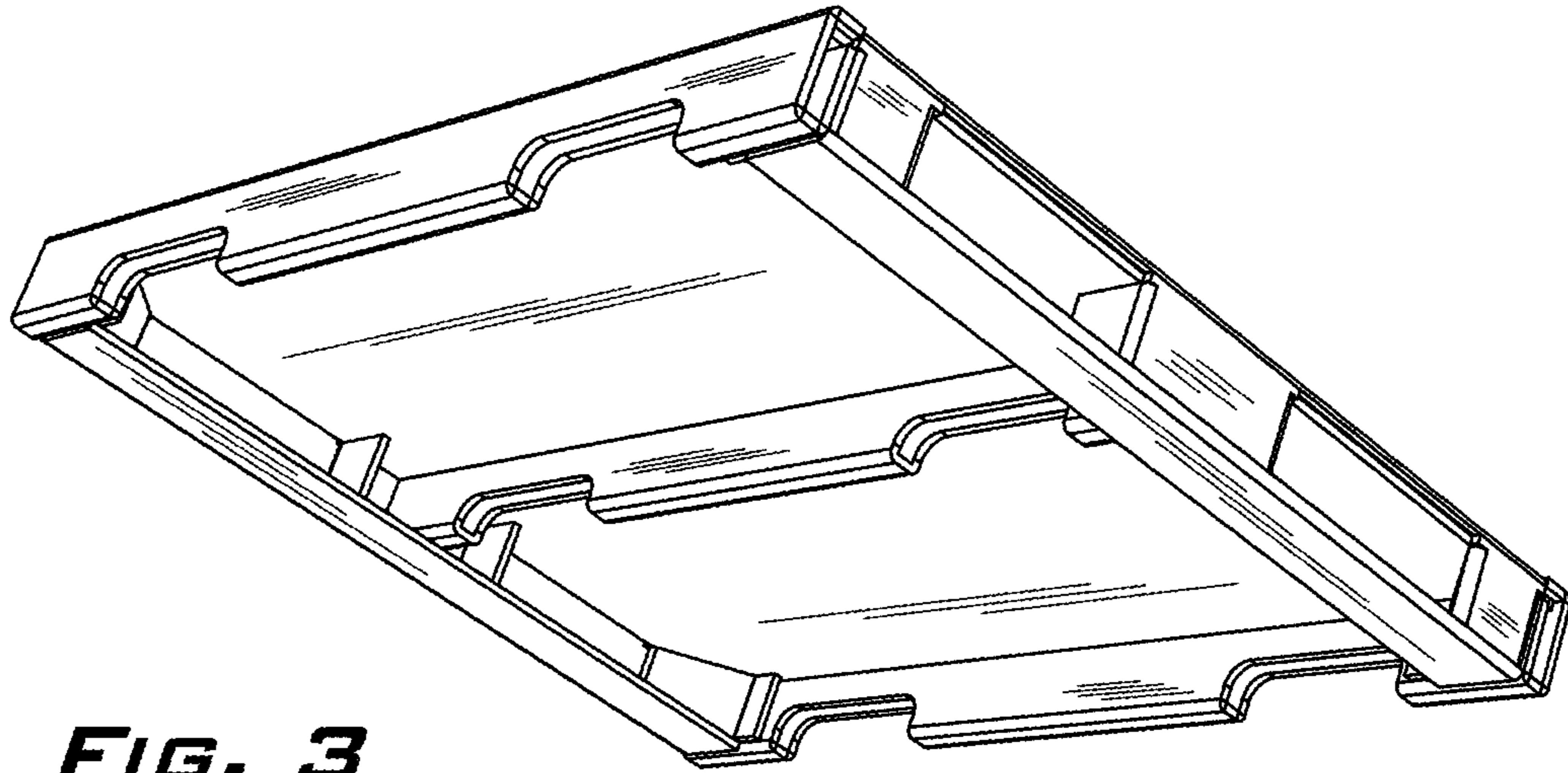


FIG. 3

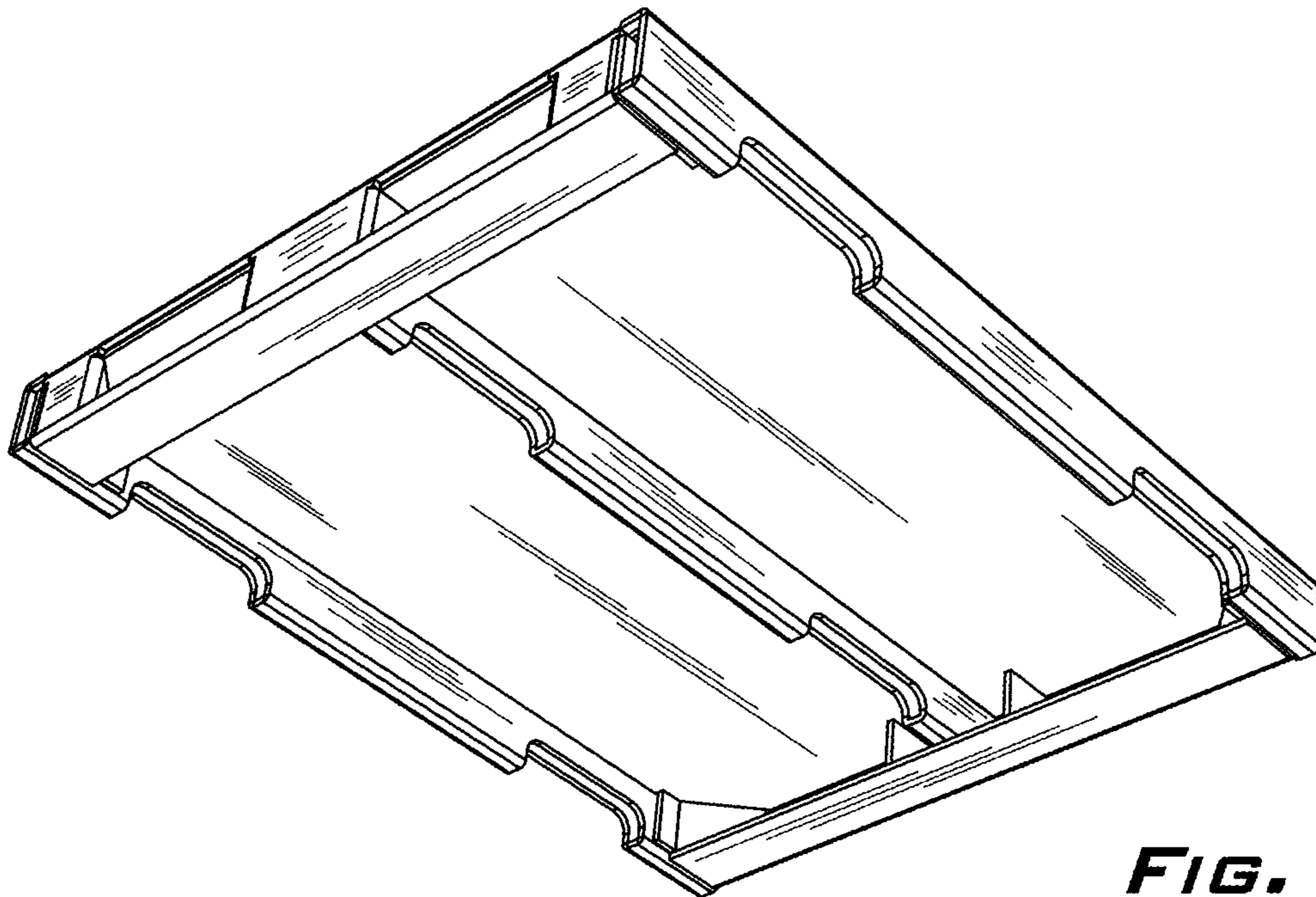


FIG. 4

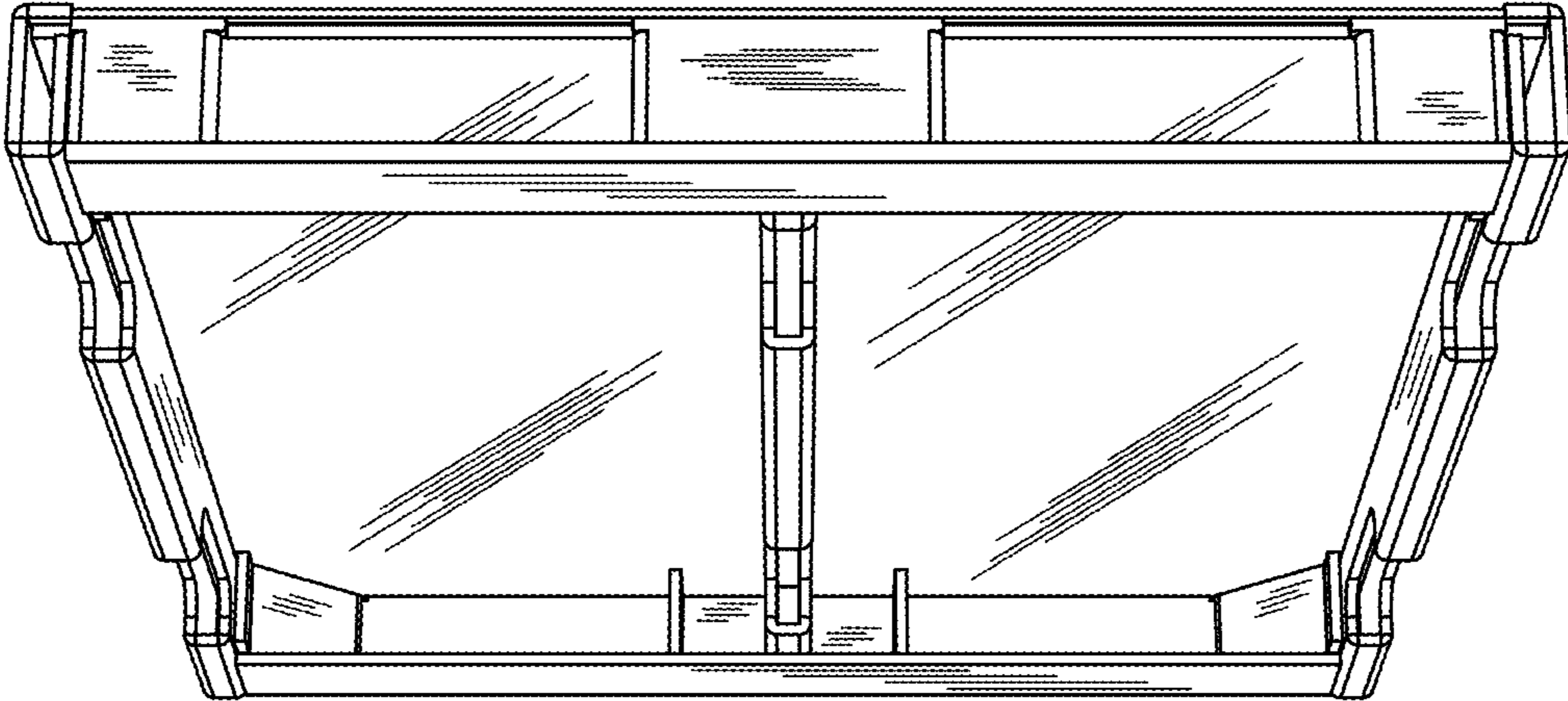


FIG. 5

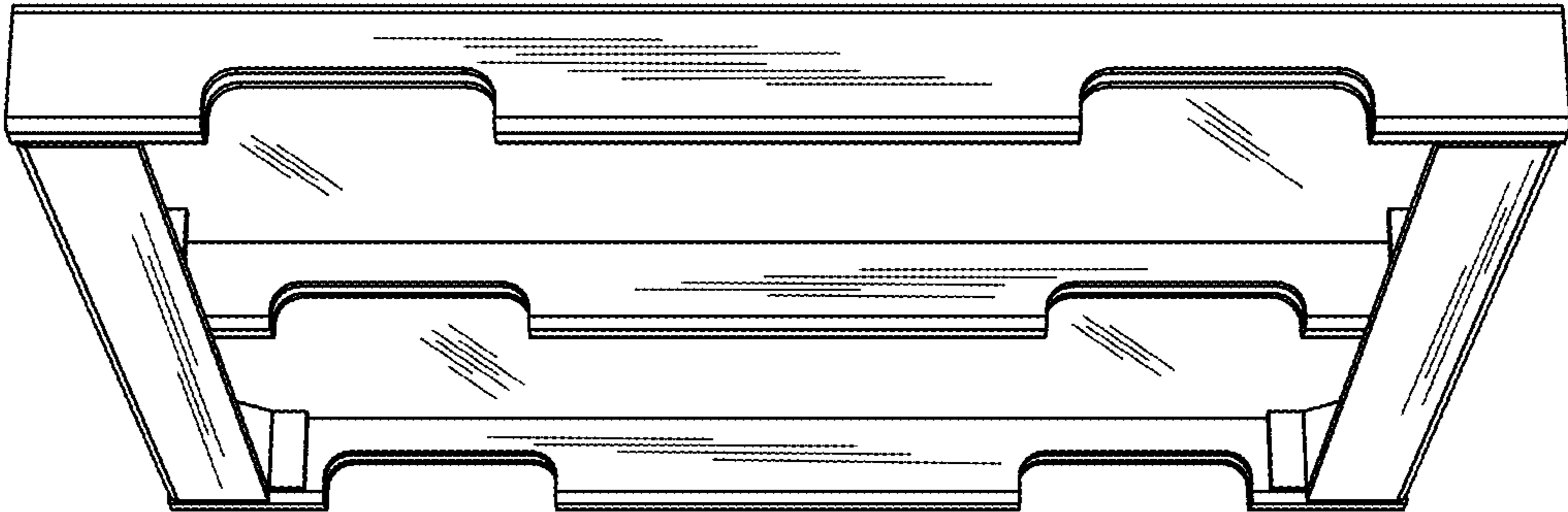


FIG. 6

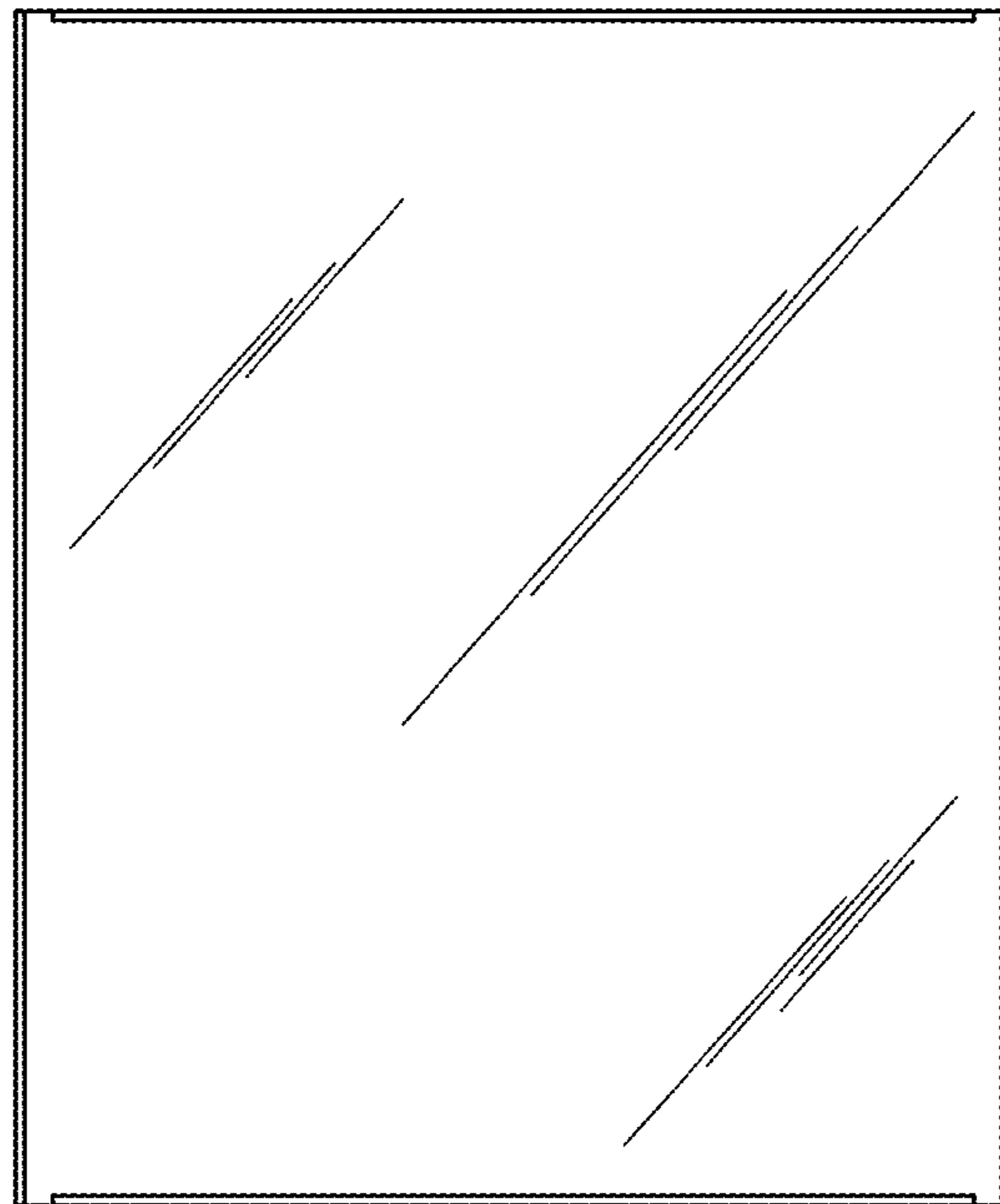


FIG. 7

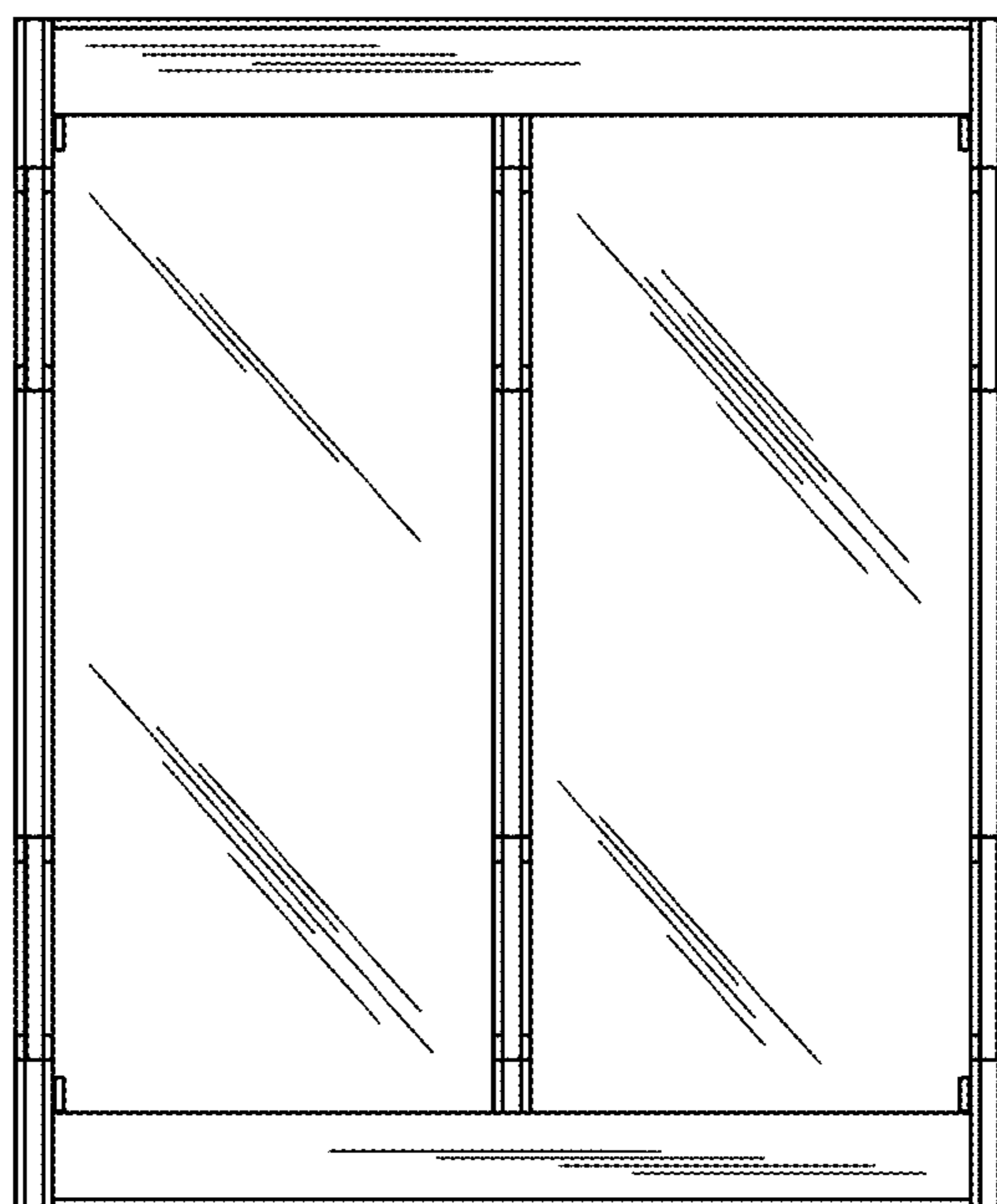


FIG. 8

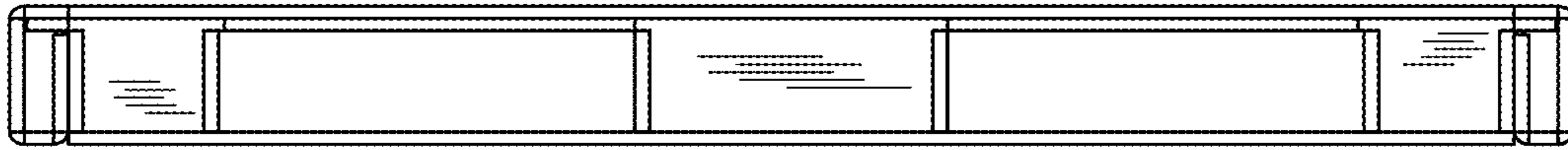


FIG. 9

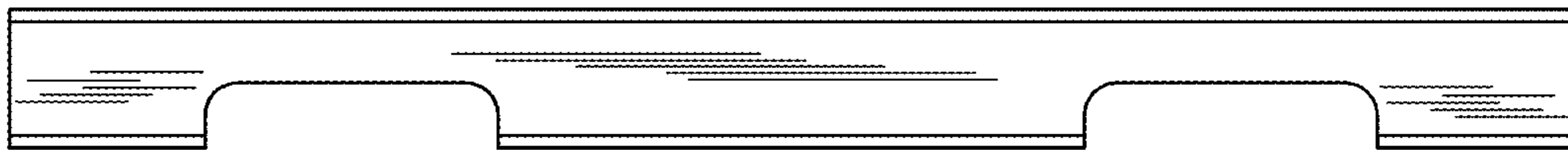


FIG. 10