



US00D781520S

(12) **United States Design Patent**  
**Chen**

(10) **Patent No.:** **US D781,520 S**

(45) **Date of Patent:** **\*\* Mar. 14, 2017**

- (54) **POWER BARROW**
- (71) Applicant: **Nantong ANT Machinery Co., Ltd.,**  
Qidong (CN)
- (72) Inventor: **Yu Chen,** Qidong (CN)
- (73) Assignee: **Nantong ANT Machinery Co., Ltd.**  
(CN)
- (\*\*) Term: **15 Years**
- (21) Appl. No.: **29/534,129**
- (22) Filed: **Jul. 27, 2015**
- (51) **LOC (10) Cl.** ..... **12-02**
- (52) **U.S. Cl.**  
USPC ..... **D34/16**
- (58) **Field of Classification Search**  
USPC ..... D34/12-25; 180/19.3, 65.6, 78, 212,  
180/19.1, 351; 298/2, 17.5  
CPC ..... B60L 2200/40; B62B 1/18; B62B 1/20;  
B62B 5/0033; B62B 1/24  
See application file for complete search history.

- 3,323,837 A \* 6/1967 Landry ..... B62B 1/24  
298/17.5
- 9,108,690 B2 \* 8/2015 Rowlands ..... B60L 7/003
- D752,308 S \* 3/2016 Wyse ..... D34/16
- D752,835 S \* 3/2016 Wyse ..... D34/16

\* cited by examiner

*Primary Examiner* — Cynthia Ramirez

*Assistant Examiner* — Gino Colan

(74) *Attorney, Agent, or Firm* — Law Offices of Albert  
Wai-Kit Chan, PLLC

(57) **CLAIM**

I claim the ornamental design for a power barrow, as shown  
and described.

**DESCRIPTION**

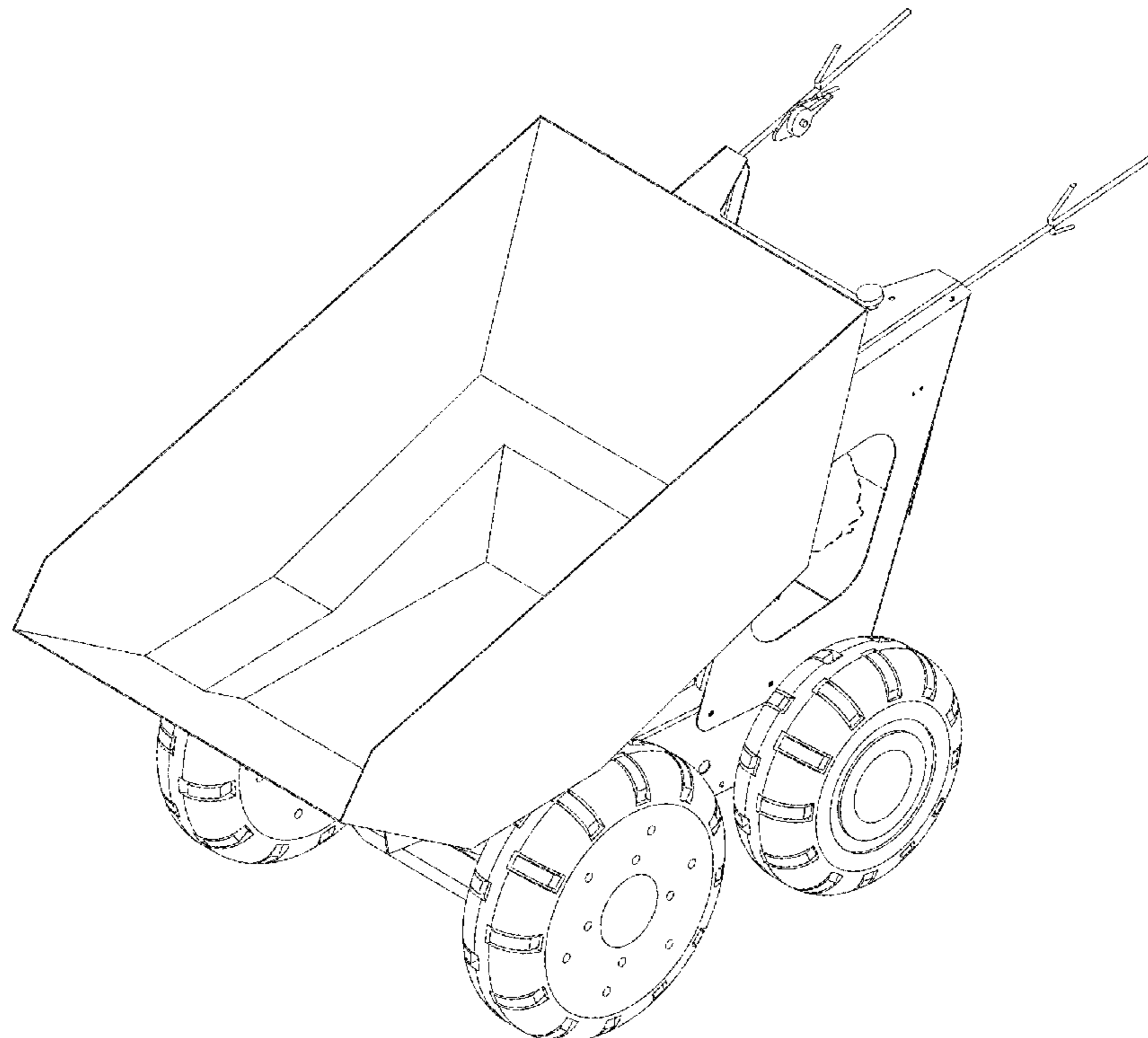
FIG. 1 is a left-side view of the power barrow in accordance  
with the present design.  
FIG. 2 is a bottom plan view of the power barrow.  
FIG. 3 is a top plan view of the power barrow.  
FIG. 4 is a back view of the power barrow.  
FIG. 5 is a front view of the power barrow.  
FIG. 6 is a front perspective view of the power barrow; and,  
FIG. 7 is a back perspective view of the power barrow.  
The broken lines in the figures are for the purpose of  
illustrating portions of the power barrow and form no part of  
the claimed design. The broken lines showing the outline of  
an engine are included for the purpose of illustrating envi-  
ronment and form no part of the claimed design.

**1 Claim, 7 Drawing Sheets**

(56) **References Cited**

U.S. PATENT DOCUMENTS

- 2,918,133 A \* 12/1959 Ericsson ..... B62B 1/24  
180/19.1
- 3,021,625 A \* 2/1962 Stasse ..... B62B 1/24  
180/19.1
- 3,200,973 A \* 8/1965 Galbraith ..... E02F 3/34  
414/717



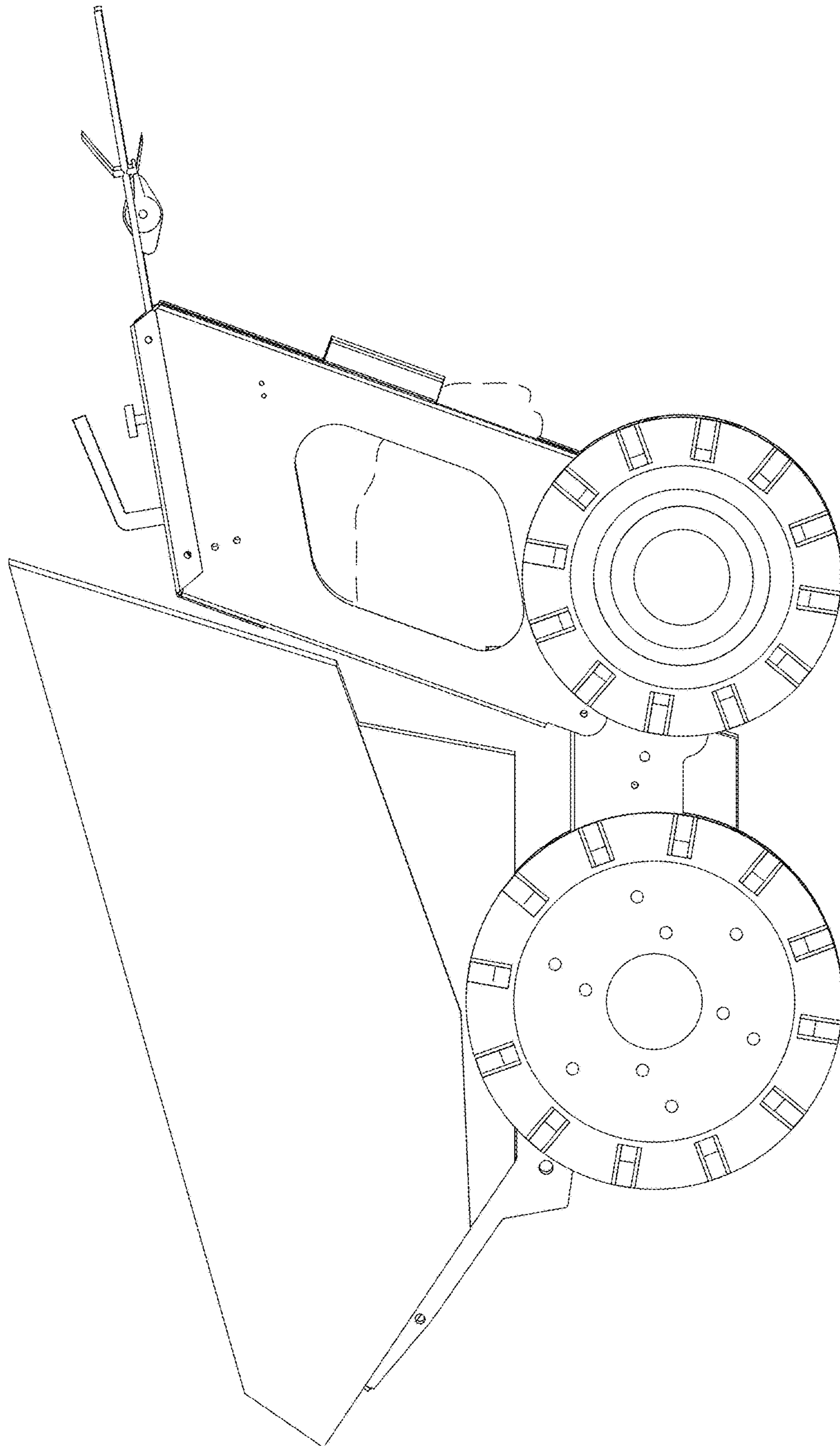


Figure 1

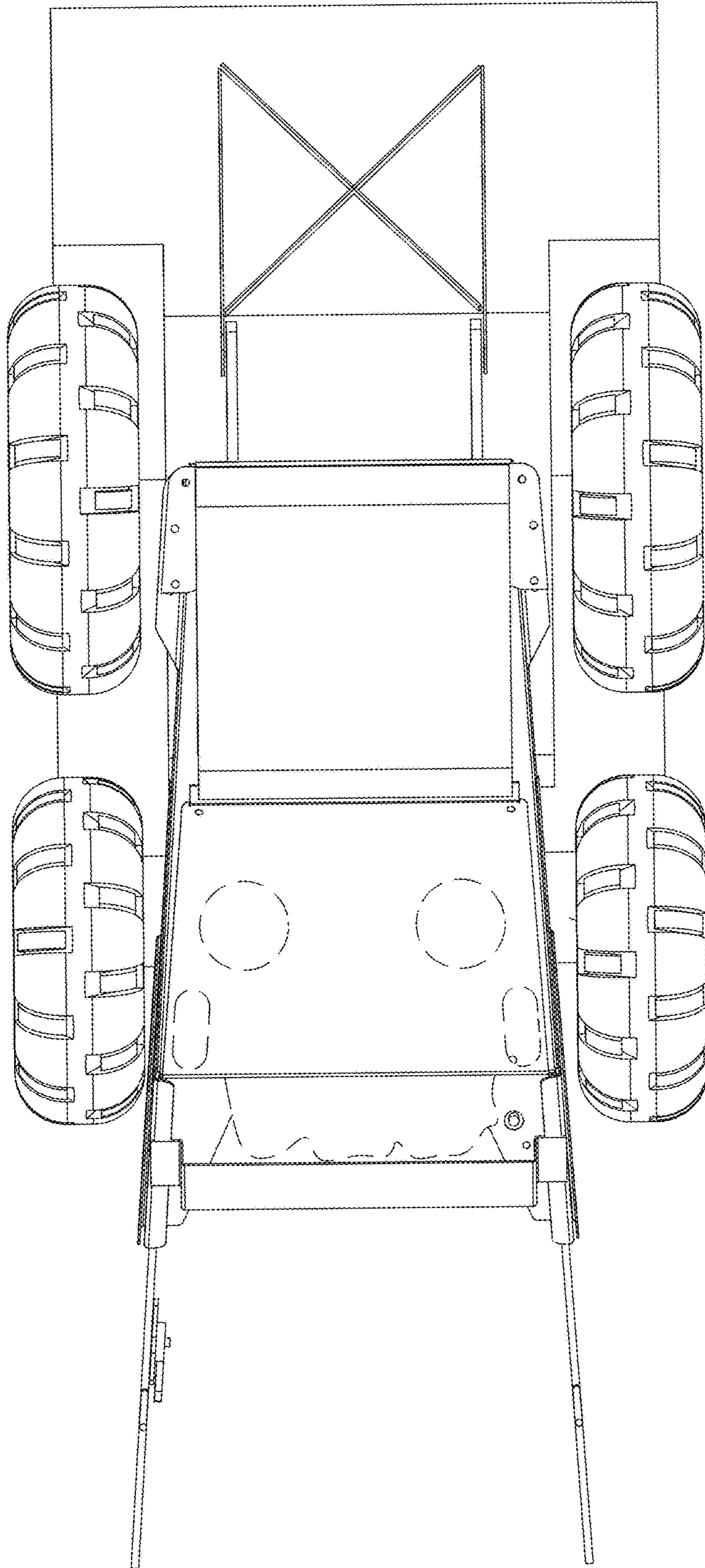


Figure 2

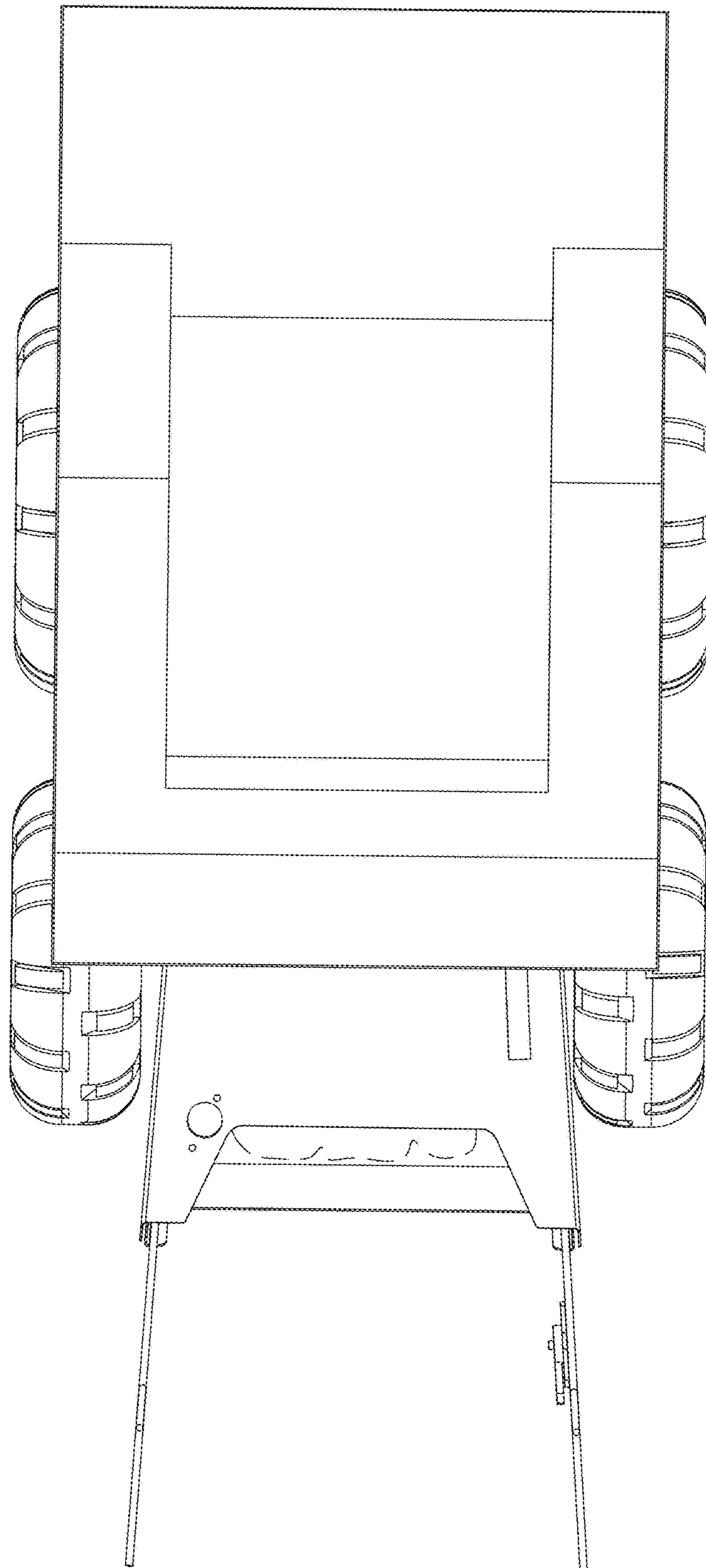


Figure 3

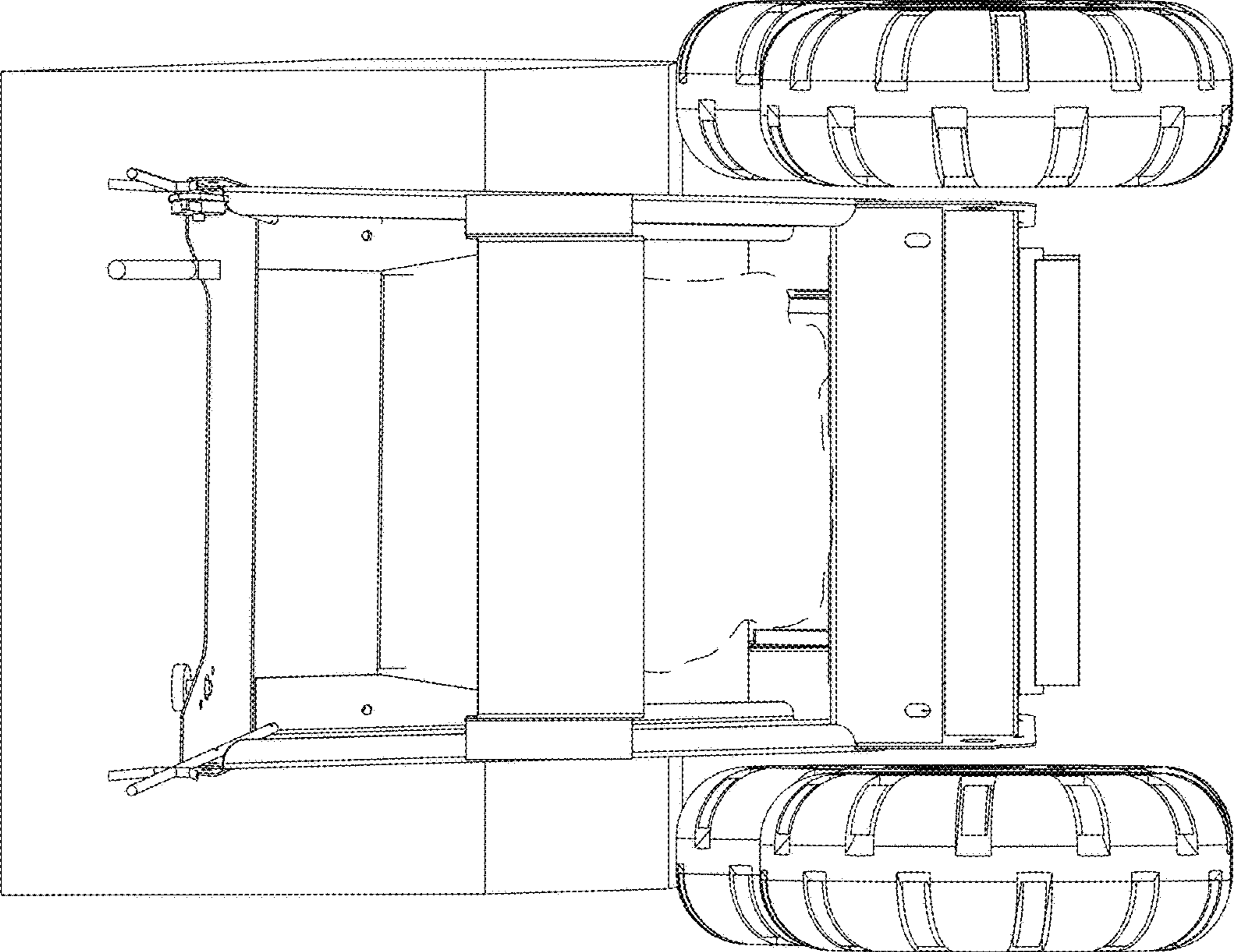


Figure 4

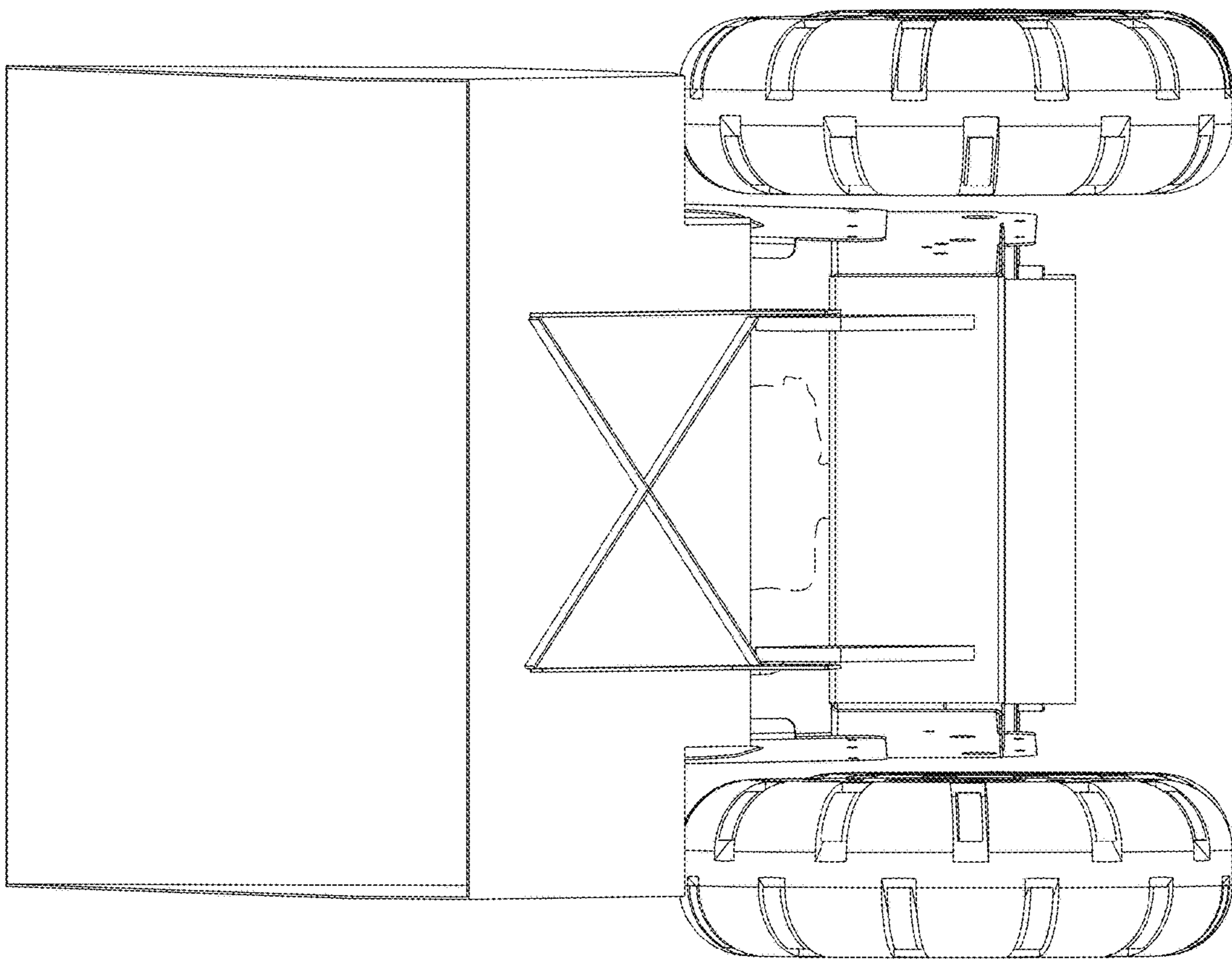


Figure 5

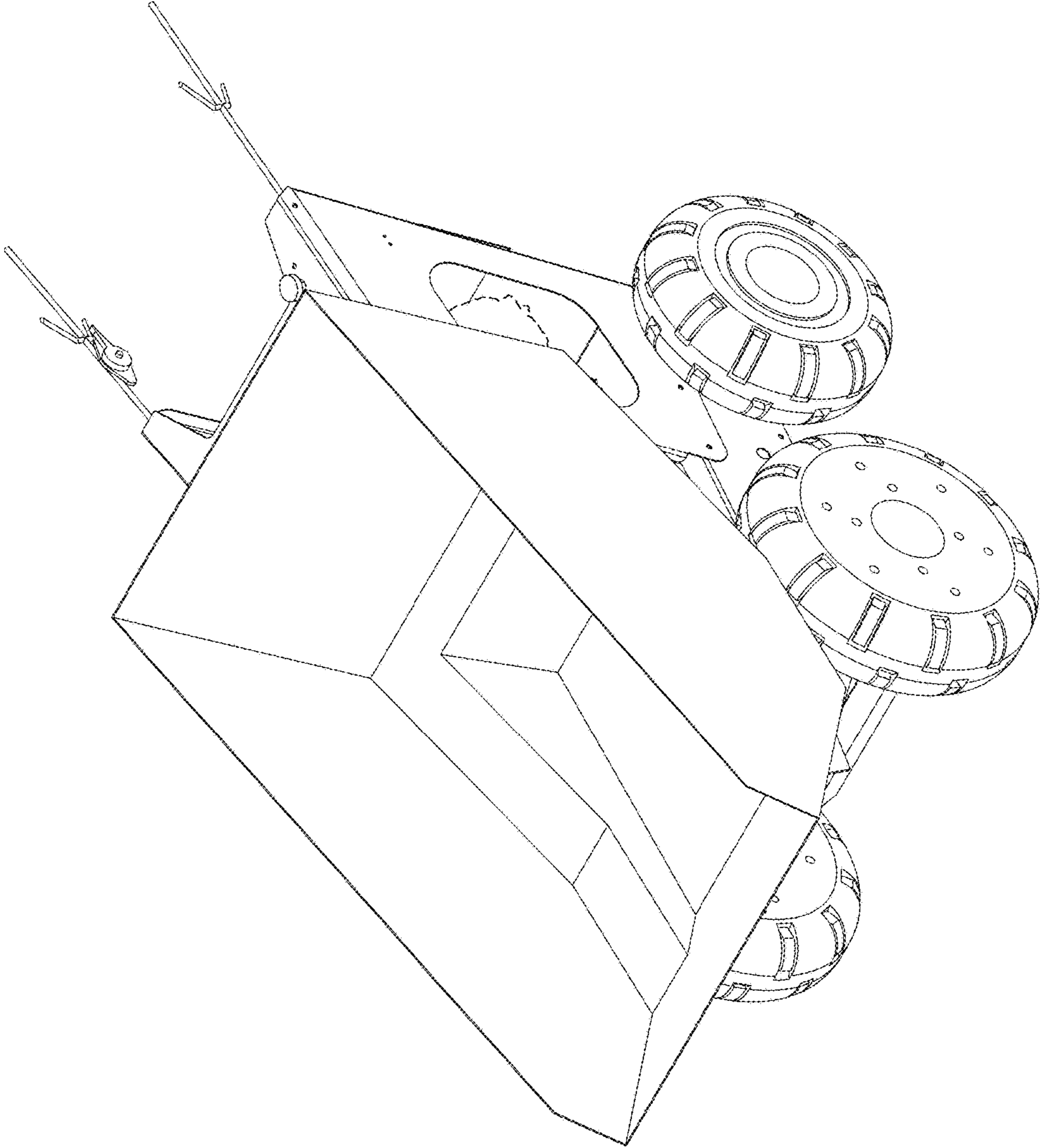


Figure 6

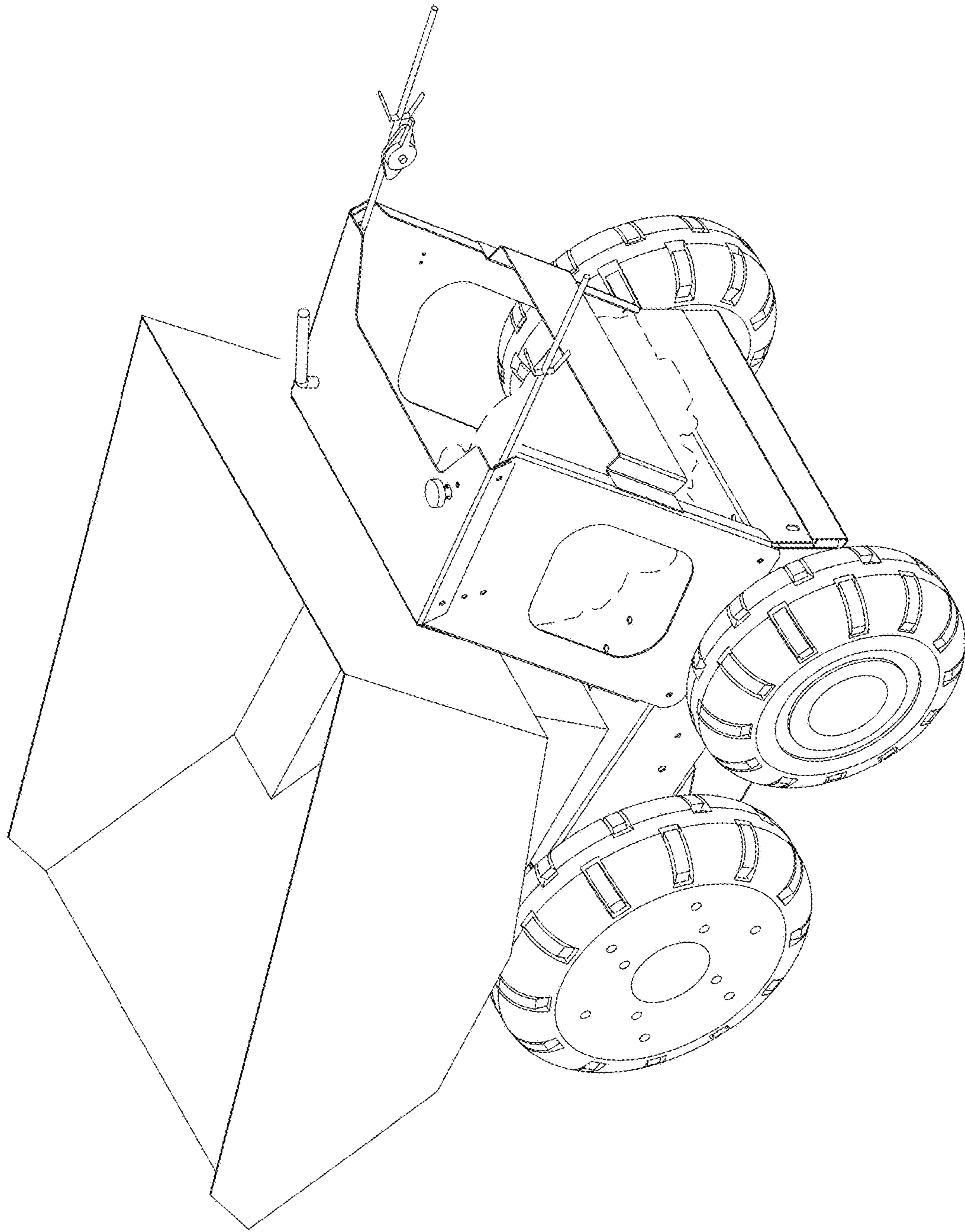


Figure 7