

US00D781519S

(12) **United States Design Patent**
Spadotto

(10) **Patent No.:** **US D781,519 S**

(45) **Date of Patent:** **** Mar. 14, 2017**

(54) **CONTAINER**

(71) Applicant: **ABM ITALIA S.P.A.**, Ormelle (IT)

(72) Inventor: **Lucio Spadotto**, Oderzo (IT)

(73) Assignee: **ABM ITALIA S.P.A.**, Ormelle (IT)

(**) Term: **14 Years**

(21) Appl. No.: **29/501,596**

(22) Filed: **Sep. 5, 2014**

(51) **LOC (10) Cl.** **09-09**

(52) **U.S. Cl.**
USPC **D34/9**

(58) **Field of Classification Search**
USPC D34/1-11; 220/908-913, 262-264, 315,
220/283

CPC B65F 1/1615; B65F 1/163; B65F 1/00
See application file for complete search history.

(56) **References Cited**

U.S. PATENT DOCUMENTS

D489,856 S * 5/2004 Yang et al. D34/9
D489,857 S * 5/2004 Yang et al. D34/9

D537,999 S * 3/2007 Lin D34/9
D539,498 S * 3/2007 Yang et al. D34/9
D550,917 S * 9/2007 Yang et al. D34/9
D578,722 S * 10/2008 Yang et al. D34/9
D581,622 S * 11/2008 Presnell et al. D34/9
D611,216 S * 3/2010 Yang et al. D34/7
D629,579 S * 12/2010 Lin D34/9
D632,864 S * 2/2011 Yang et al. D34/9
D635,319 S * 3/2011 Meyerhoffer D34/7
D725,861 S * 3/2015 Yang et al. D34/7

* cited by examiner

Primary Examiner — Cynthia Ramirez

Assistant Examiner — Gino Colan

(74) *Attorney, Agent, or Firm* — Flaster/Greenberg P.C.

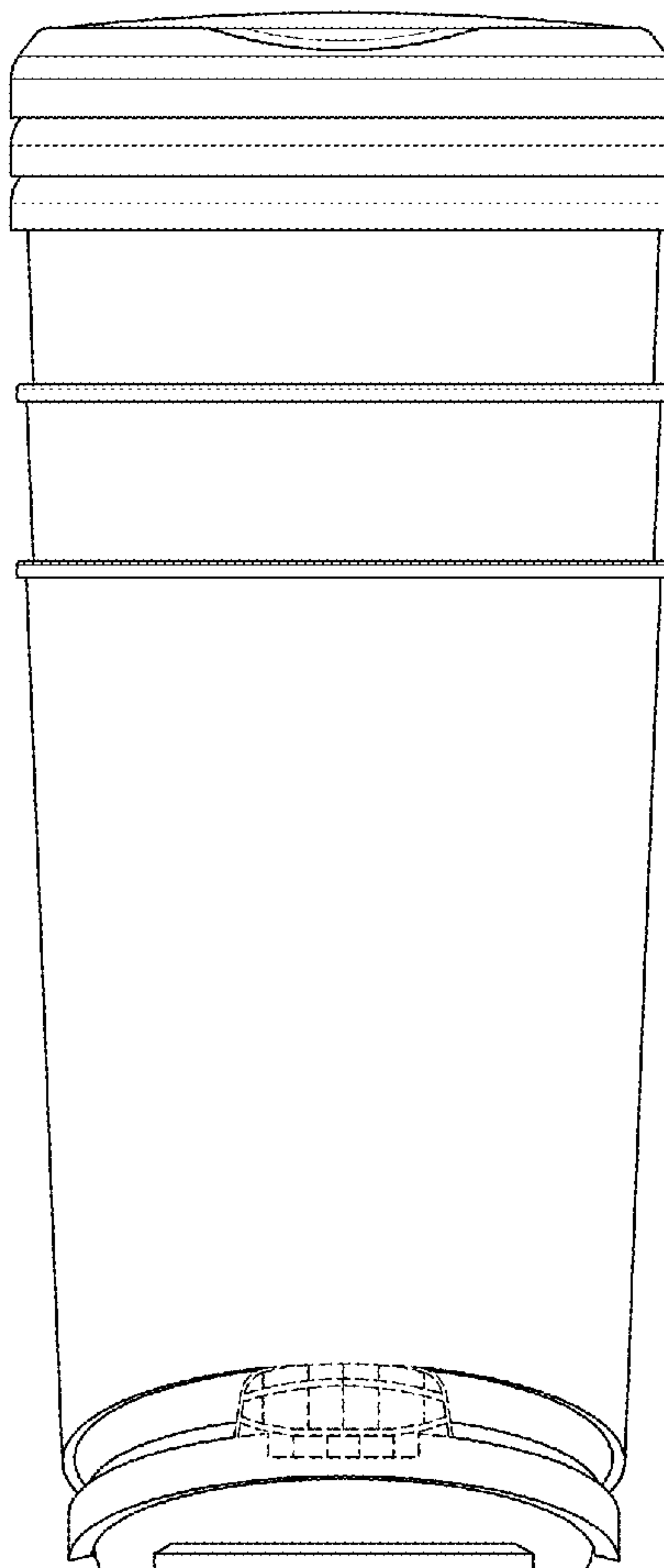
(57) **CLAIM**

The ornamental design for a container, as shown and described.

DESCRIPTION

FIG. 1 is a front view of a container showing the new design; FIG. 2 is a right elevational view of the container of FIG. 1; FIG. 3 is a left elevational view of the container of FIG. 1; and, FIG. 4 is a rear elevational view of the container of FIG. 1.

1 Claim, 4 Drawing Sheets



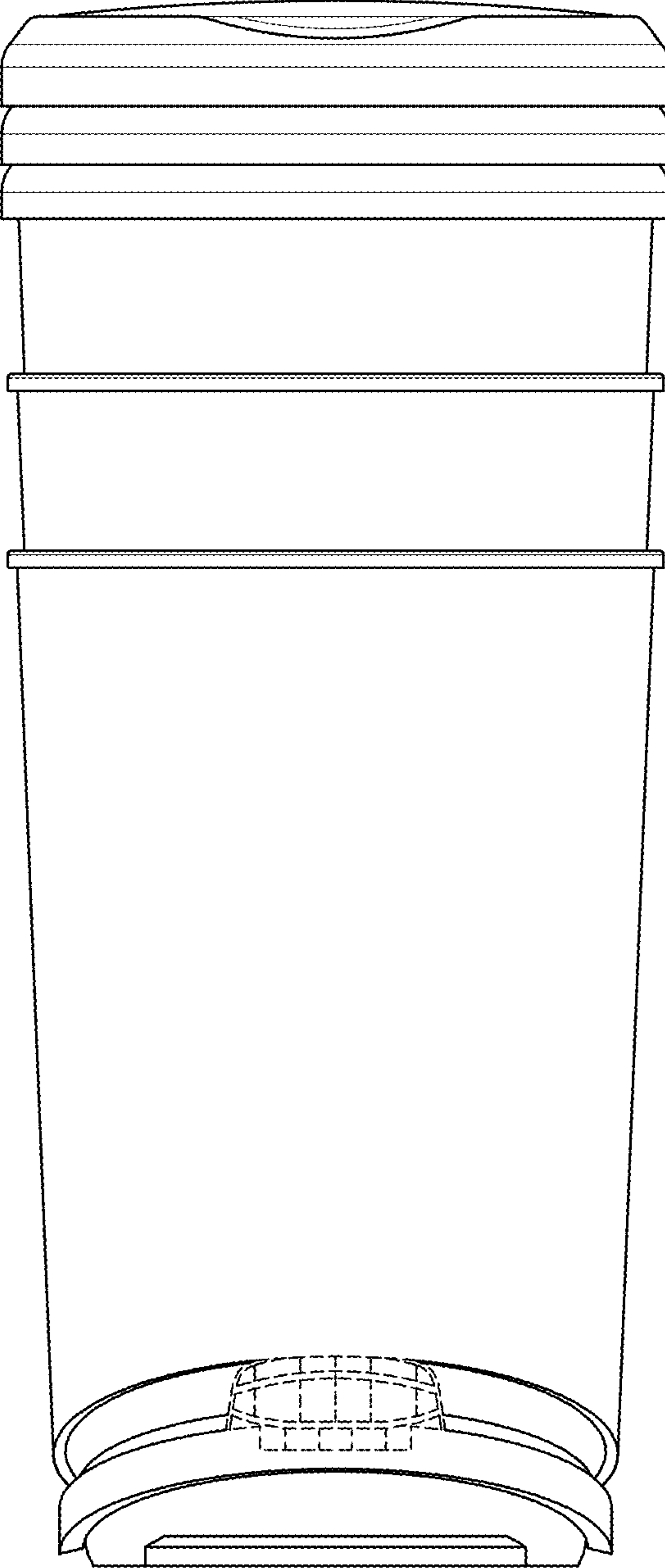


FIG. 1

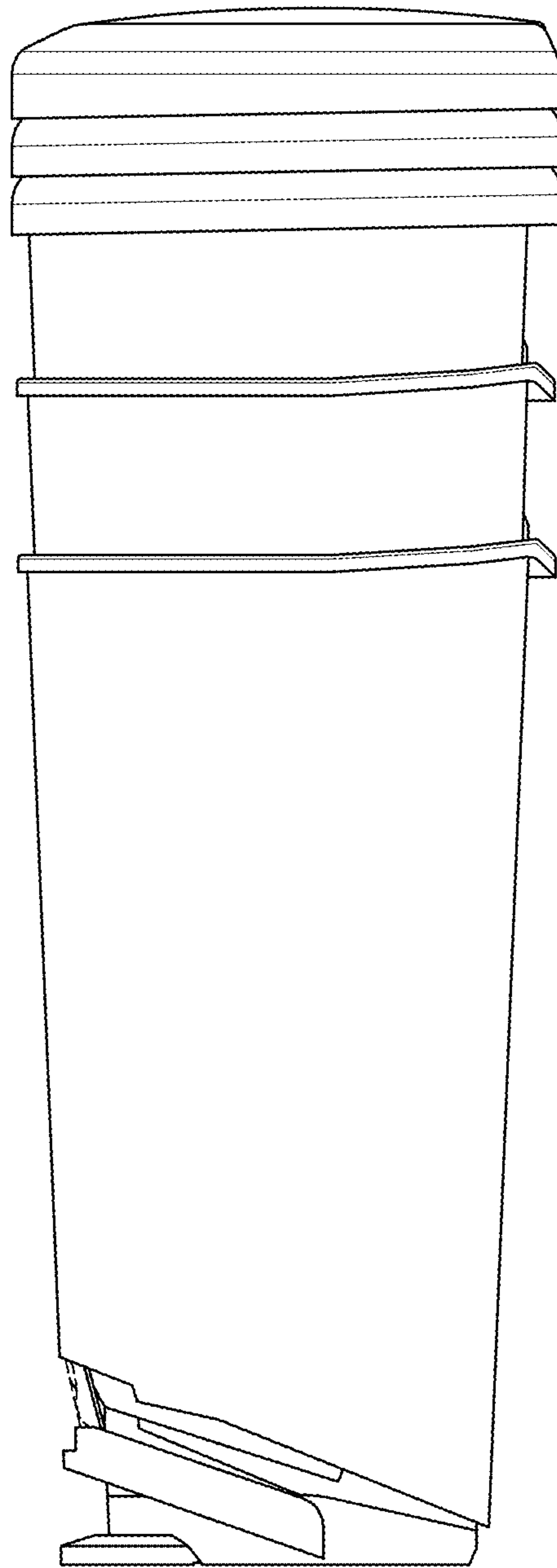


FIG. 2

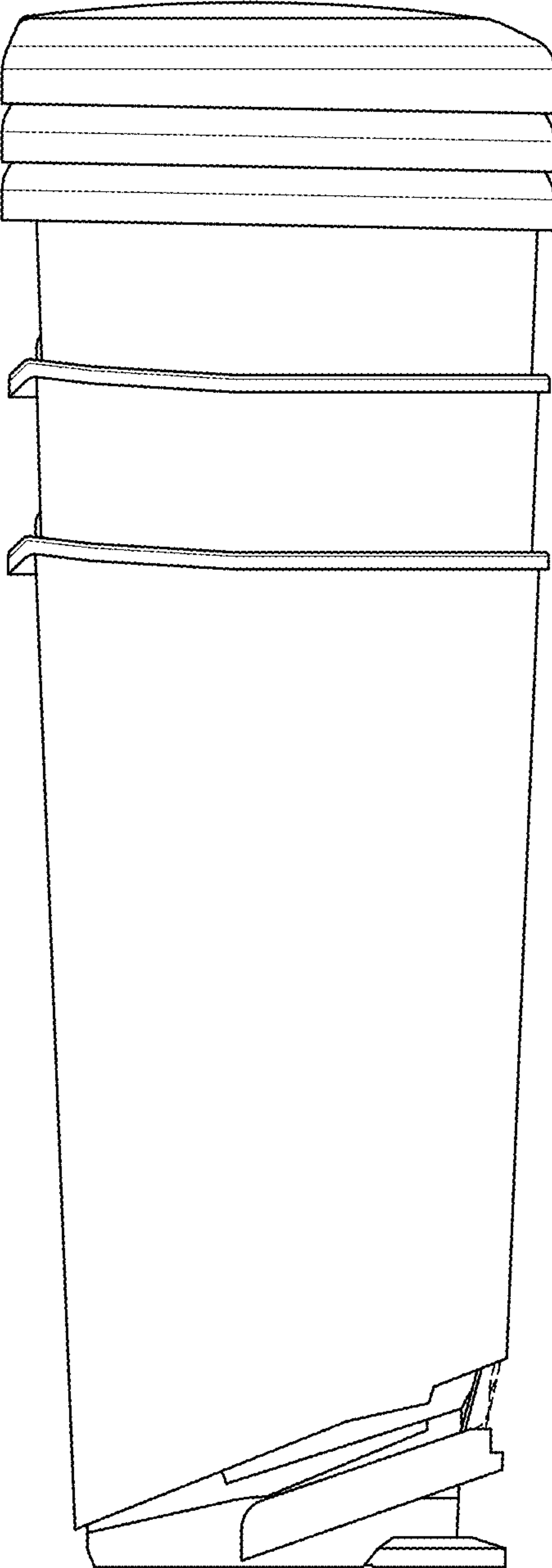


FIG. 3

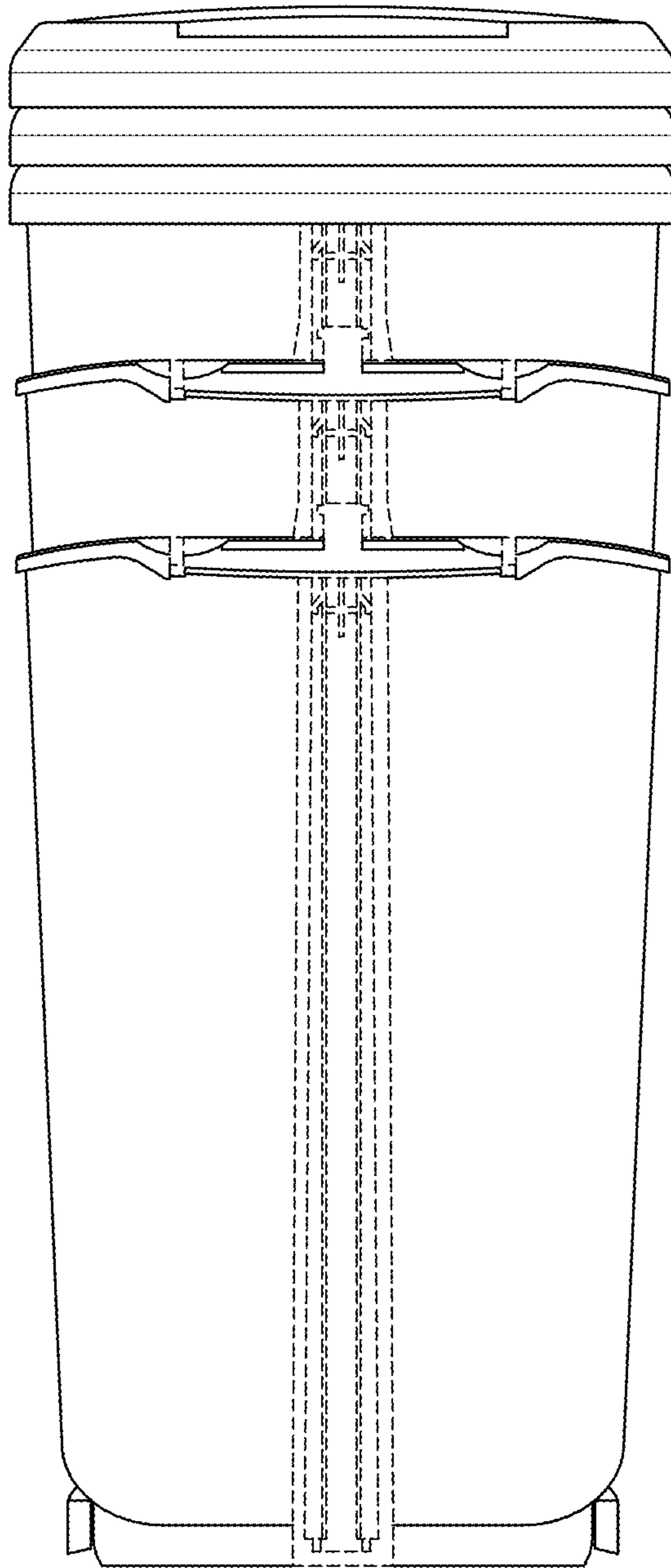


FIG.4

UNITED STATES PATENT AND TRADEMARK OFFICE
CERTIFICATE OF CORRECTION

PATENT NO. : D781,519 S
APPLICATION NO. : 29/501596
DATED : March 14, 2017
INVENTOR(S) : Lucio Spadotto

Page 1 of 1

It is certified that error appears in the above-identified patent and that said Letters Patent is hereby corrected as shown below:

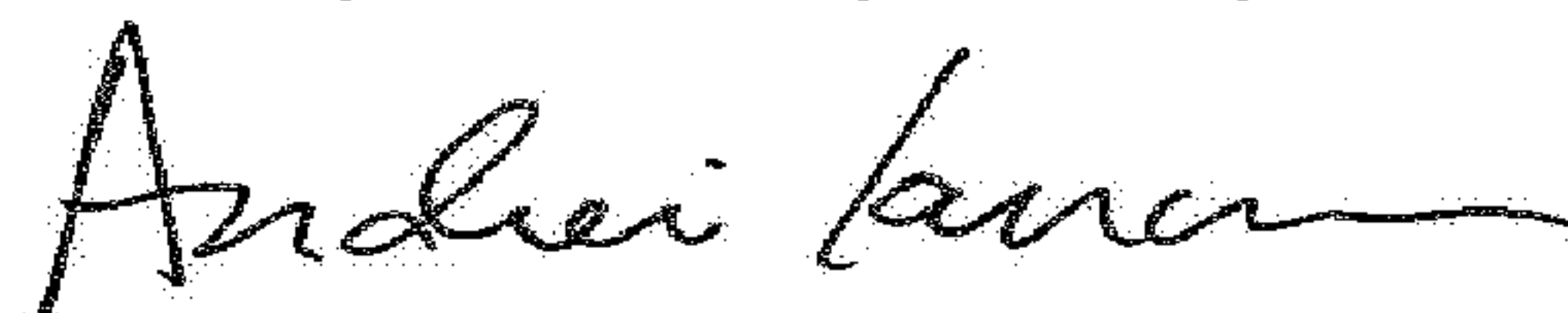
On the Title Page

Item (30) should be inserted as follows:

--(30) Foreign Application Priority Data

March 5, 2014 (EM).....2418491--

Signed and Sealed this
Twenty-ninth Day of May, 2018



Andrei Iancu
Director of the United States Patent and Trademark Office