



US00D781517S

(12) **United States Design Patent** (10) **Patent No.:** **US D781,517 S**
Spence (45) **Date of Patent:** **** Mar. 14, 2017**

(54) **ALL-IN-ONE CLEANING TOOL**

OTHER PUBLICATIONS

(71) Applicant: **Dawn Spence**, London (GB)

Dawn Spence, International design registration, WIPO, Aug. 26, 2013, Geneva, Switzerland.

(72) Inventor: **Dawn Spence**, London (GB)

Dawn Spence, Registry entry for UK design 4029819, May 20, 2013, UK Intellectual Property Office, United Kingdom.

(**) Term: **14 Years**

Dawn Spence, Registry entry for UK design 4029830, May 20, 2013, UK Intellectual Property Office, United Kingdom.

(21) Appl. No.: **29/510,369**

Dawn Spence, Registry entry for UK design 4029831, Jul. 25, 2013, UK Intellectual Property Office, United Kingdom.

(22) Filed: **Nov. 26, 2014**

Procter & Gamble Co., Swiffer Sweeper webpage, 2014, United States.

(51) **LOC (10) Cl.** **08-99**

* cited by examiner

(52) **U.S. Cl.**

Primary Examiner — Susan Bennett Hattan

USPC **D32/35**

Assistant Examiner — Rebecca Tsehaye

(58) **Field of Classification Search**

(74) *Attorney, Agent, or Firm* — The Mason Group Patent Specialists, LLC.; Valerie M. Davis

USPC . D32/35, 32, 31, 34, 15, 17, 18, 21, 22, 23,
D32/24, 38, 39, 40, 42, 50, 51, 52; 15/32,
15/322

CPC A47L 9/02; A47L 9/0613; A47L 9/0626;
A47L 9/066; A47L 9/0673; A47L 9/0686;
A47L 8/06

See application file for complete search history.

(57) **CLAIM**

The ornamental design for an all-in-one cleaning tool, as shown and described.

DESCRIPTION

(56) **References Cited**

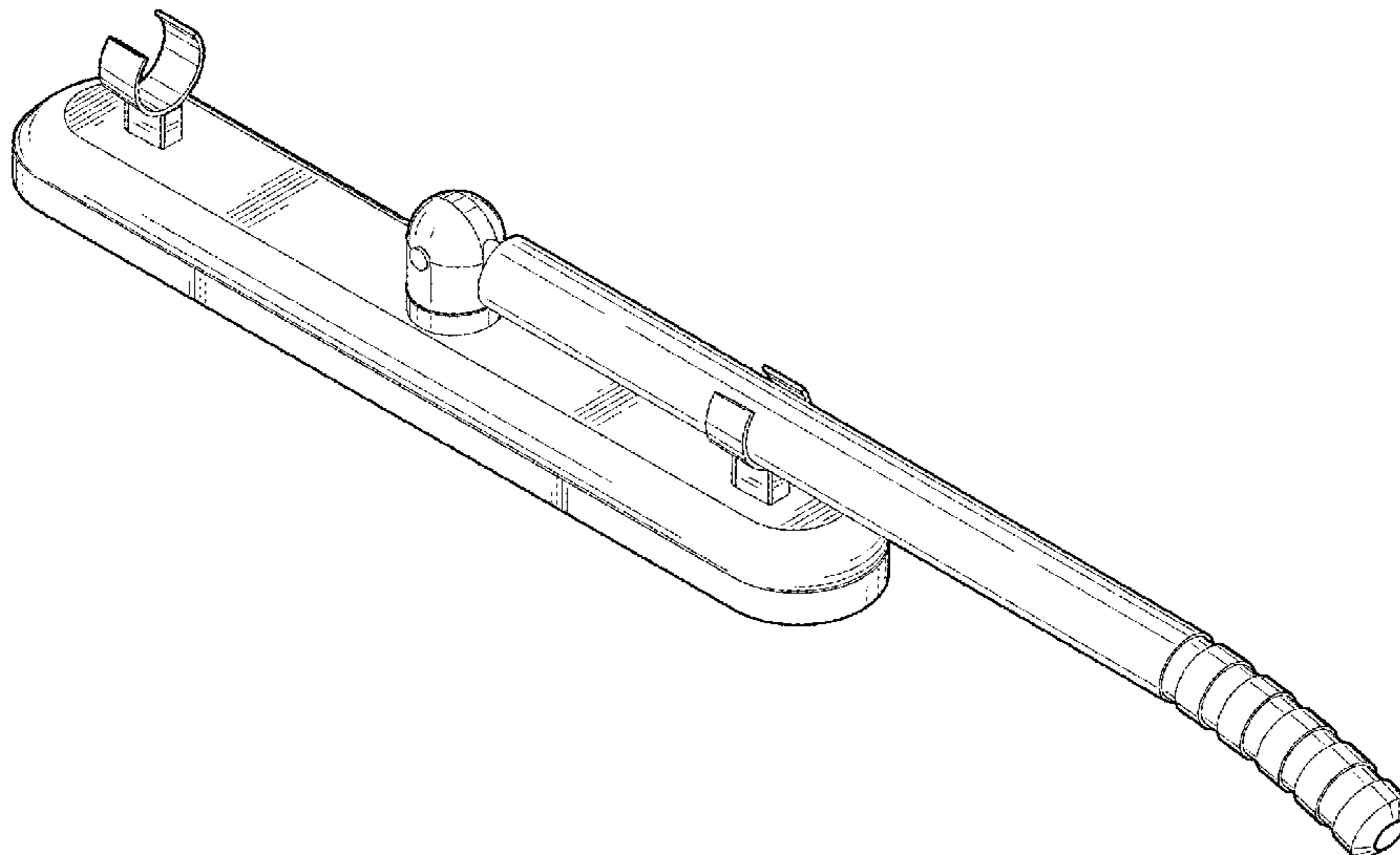
FIG. 1 is a perspective view of an all-in-one cleaning tool showing my new design with a stacked-ring handle grip and a dual-pivoting handle attachment; FIG. 2 is a front view thereof; FIG. 3 is a rear view thereof; FIG. 4 is a left side view thereof; FIG. 5 is a right side view thereof; FIG. 6 is a top view thereof; and, FIG. 7 is an underside view thereof.

U.S. PATENT DOCUMENTS

The broken lines shown in FIG. 7 represent twin tracks, which form no part of the claimed design and are used for securing interchangeable cleaning attachments to the underside of the all-in-one cleaning tool.

RE21,256 E	*	11/1939	Brock	A47L 9/02
					15/373
D563,615 S	*	3/2008	Roschi	D32/32
D569,564 S	*	5/2008	Labarbera	D32/32
D621,564 S	*	8/2010	Kaffenberger	D32/32
D653,825 S	*	2/2012	Cho	D32/22
D685,550 S	*	7/2013	Tronconi	D32/40
D691,340 S	*	10/2013	Bruneel	D32/32
D691,771 S	*	10/2013	Gao	D32/32
D718,914 S	*	12/2014	Ashbee	D32/32
D740,506 S	*	10/2015	Yoon	D32/31
D742,607 S	*	11/2015	Crawley	D32/32

1 Claim, 6 Drawing Sheets



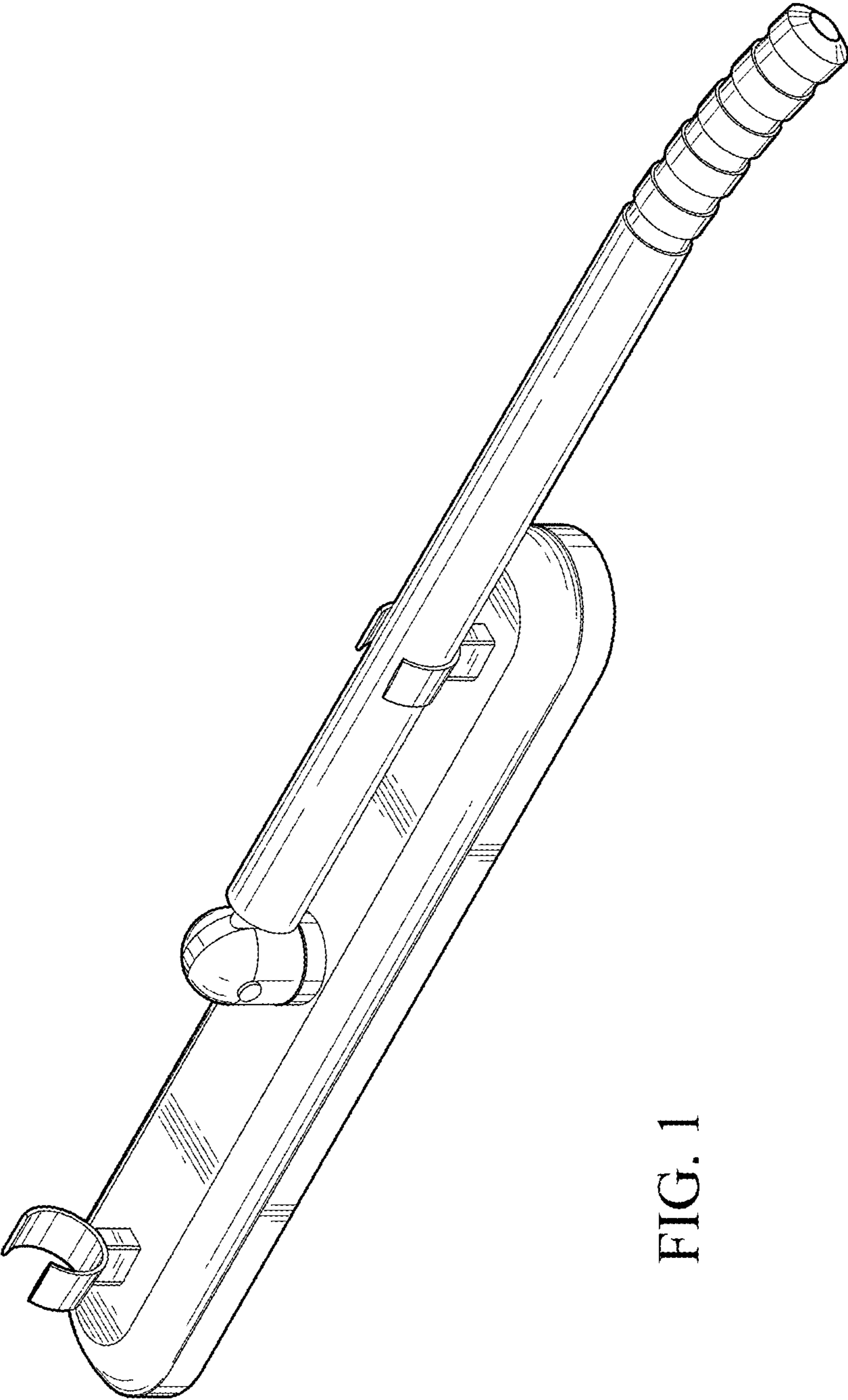


FIG. 1

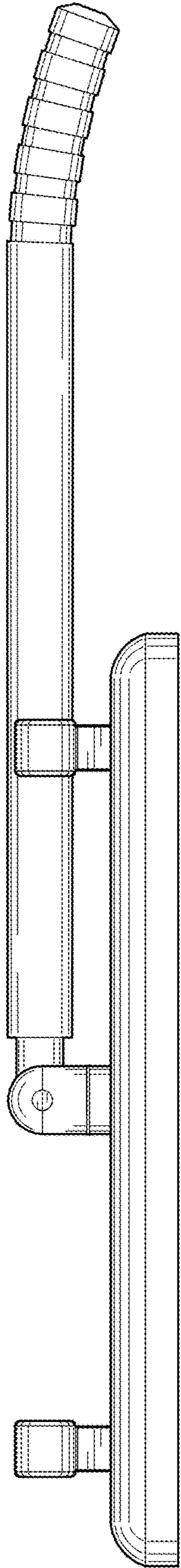


FIG. 2

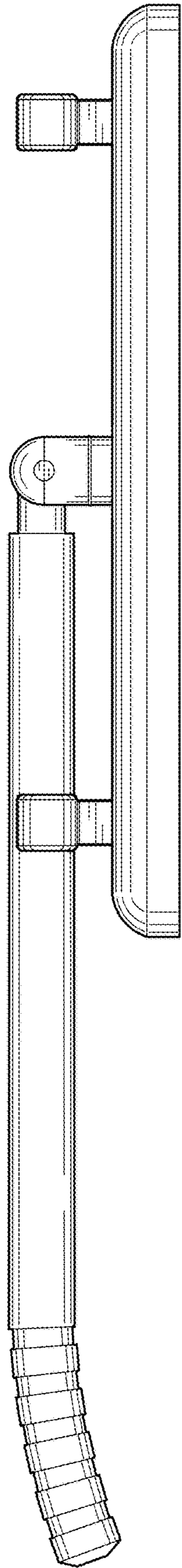


FIG. 3

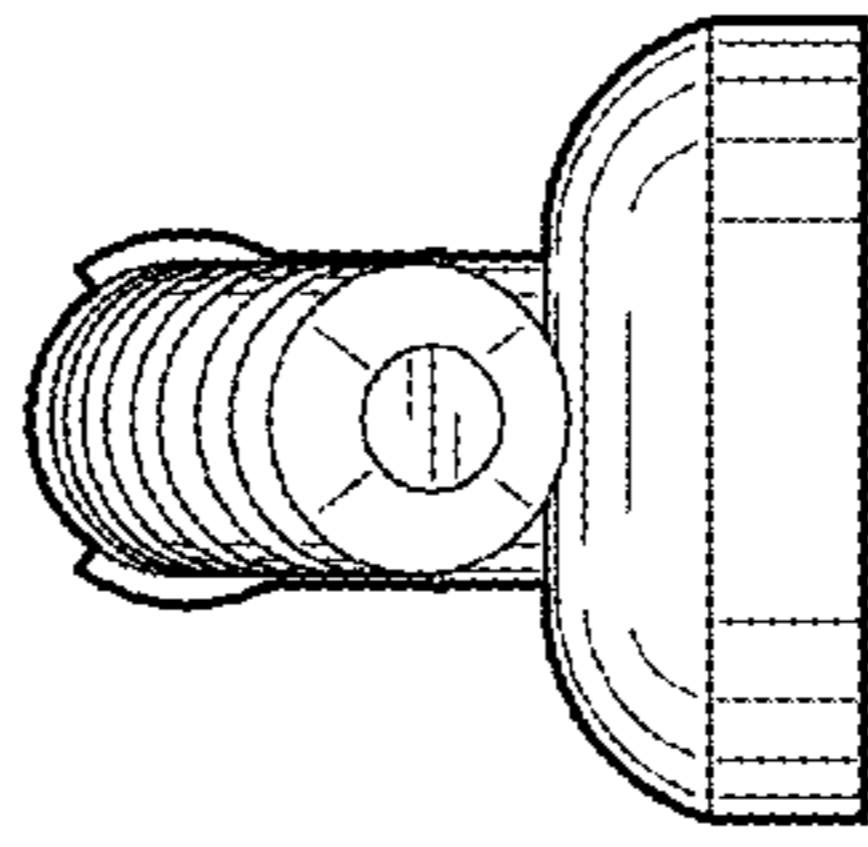


FIG. 5

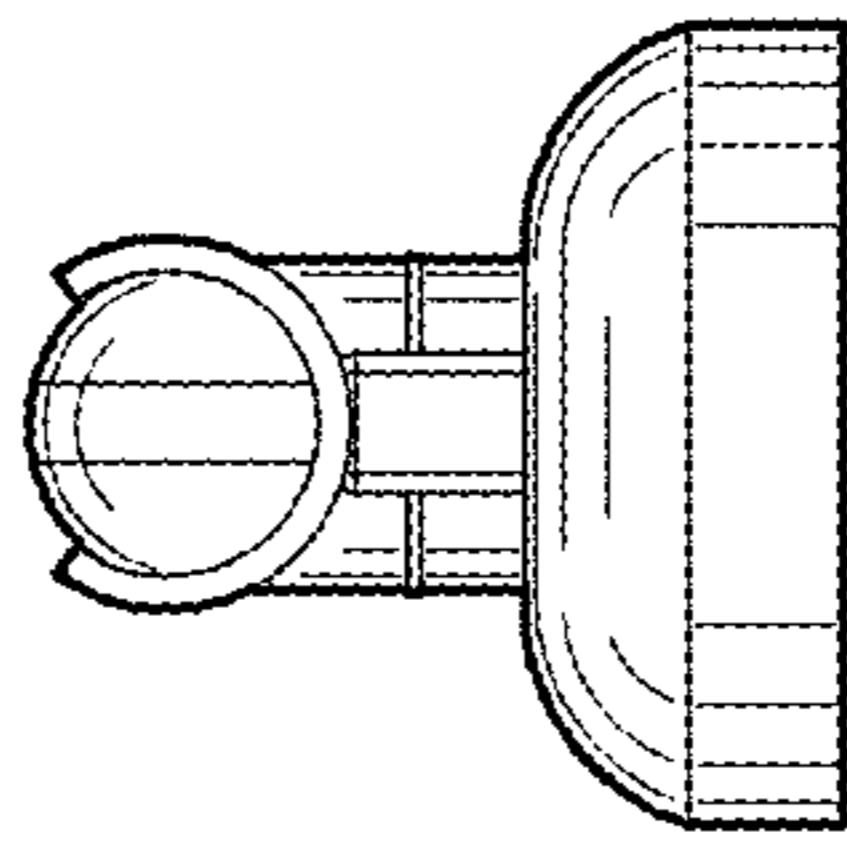


FIG. 4

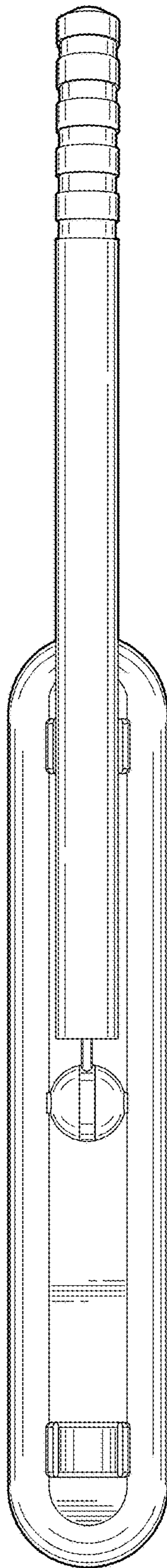


FIG. 6

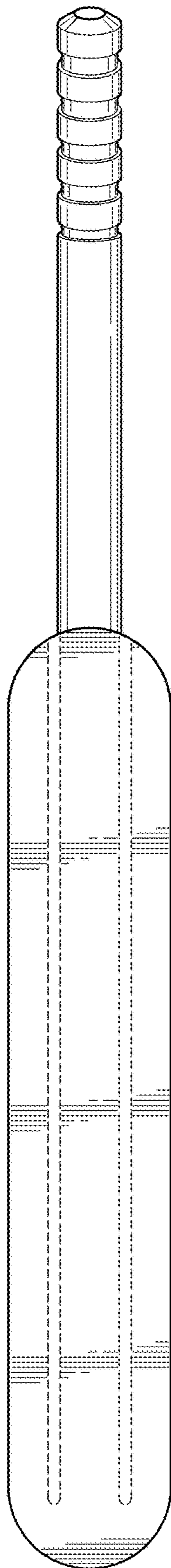


FIG. 7