



US00D781516S

(12) **United States Design Patent**
Yoon et al.

(10) **Patent No.:** **US D781,516 S**
(45) **Date of Patent:** **** Mar. 14, 2017**

(54) **CLEANER**

(71) Applicant: **Samsung Electronics Co., Ltd.**,
Suwon-si, Gyeonggi-do (KR)

(72) Inventors: **Sang-Hun Yoon**, Seoul (KR);
Min-Hyouk Bu, Seoul (KR);
Cheol-Yeon Jo, Seoul (KR); **Jae-Won Choi**, Seoul (KR)

(73) Assignee: **SAMSUNG ELECTRONICS CO., LTD.**,
Gyeonggi-Do (KR)

(**) Term: **14 Years**

(21) Appl. No.: **29/519,325**

(22) Filed: **Mar. 4, 2015**

(30) **Foreign Application Priority Data**

Sep. 4, 2014 (KR) 30-2014-0043383

(51) **LOC (10) Cl.** **15-05**

(52) **U.S. Cl.**
USPC **D32/34**

(58) **Field of Classification Search**
USPC D32/34, 31, 22
CPC . A47L 9/325; A47L 9/327; A47L 9/32; A47L
9/322
See application file for complete search history.

(56) **References Cited**

U.S. PATENT DOCUMENTS

D315,043 S * 2/1991 Hayden D32/34
D333,023 S * 2/1993 Herron, Jr. D32/34

D334,447 S * 3/1993 Rohn D32/34
D431,335 S * 9/2000 Mehaffey D32/34
D565,266 S * 3/2008 Crevling, Jr. D32/34
D641,114 S * 7/2011 Choi D32/34
D642,755 S * 8/2011 Fjellman D32/34
D644,385 S * 8/2011 Hare D32/34
D670,056 S * 10/2012 Ventress D32/34
D725,857 S * 3/2015 Bennett D32/34
D731,725 S * 6/2015 Jang D32/34
D739,622 S * 9/2015 Johnson D32/34
2006/0026791 A1* 2/2006 Fischer A47L 5/32
15/414

* cited by examiner

Primary Examiner — Ruth McInroy

(74) *Attorney, Agent, or Firm* — Cantor Colburn LLP

(57) **CLAIM**

The ornamental design for a cleaner, as shown and described.

DESCRIPTION

FIG. 1 is a perspective view of a cleaner, showing our new design;
FIG. 2 is a front view thereof;
FIG. 3 is a rear view thereof;
FIG. 4 is a side view thereof;
FIG. 5 is another side view thereof;
FIG. 6 is a top view thereof;
FIG. 7 is a bottom view thereof; and,
FIG. 8 is rear perspective view thereof.
The broken lines are for environmental purpose only and form no part of the claimed design.

1 Claim, 8 Drawing Sheets

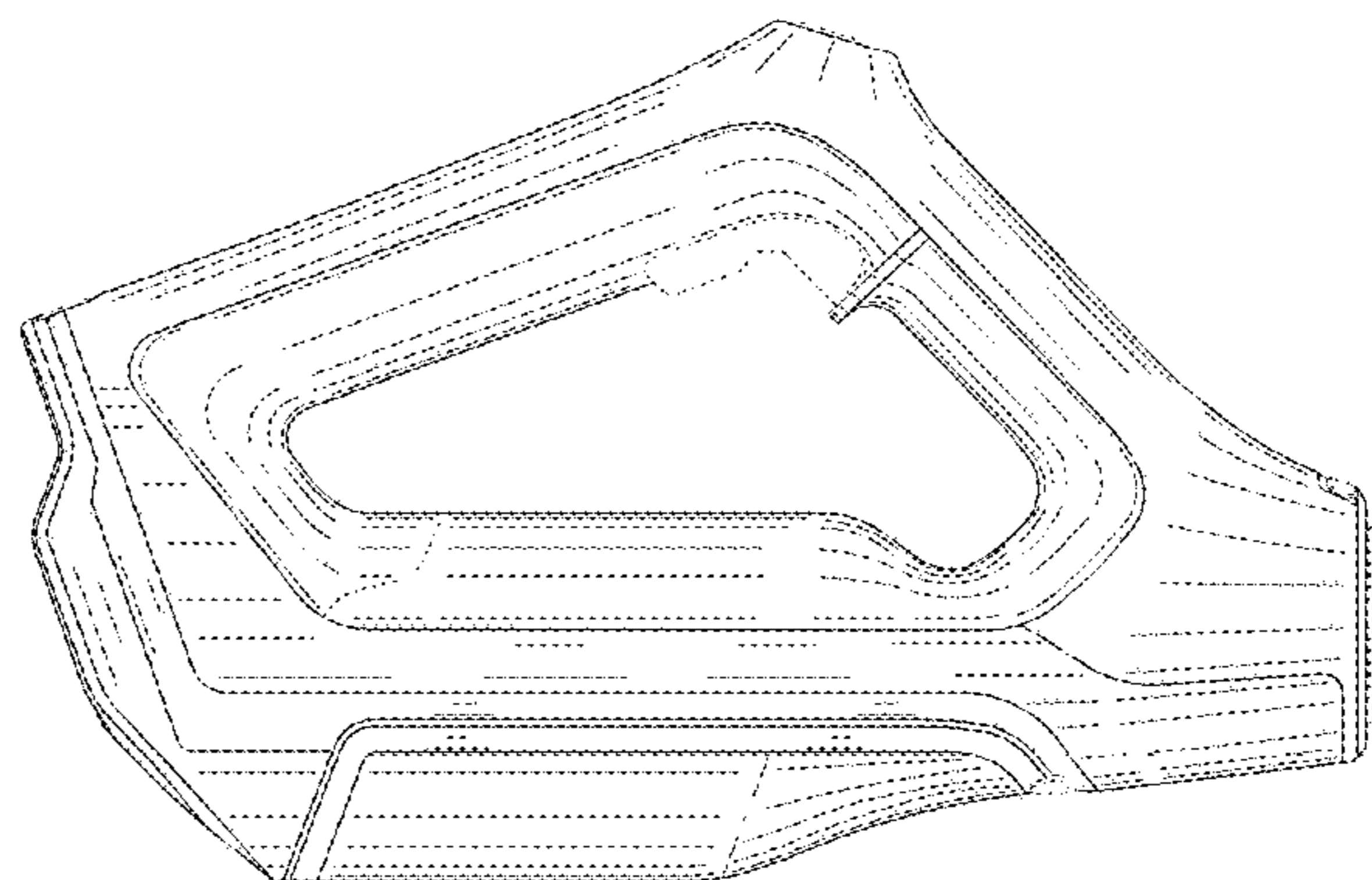
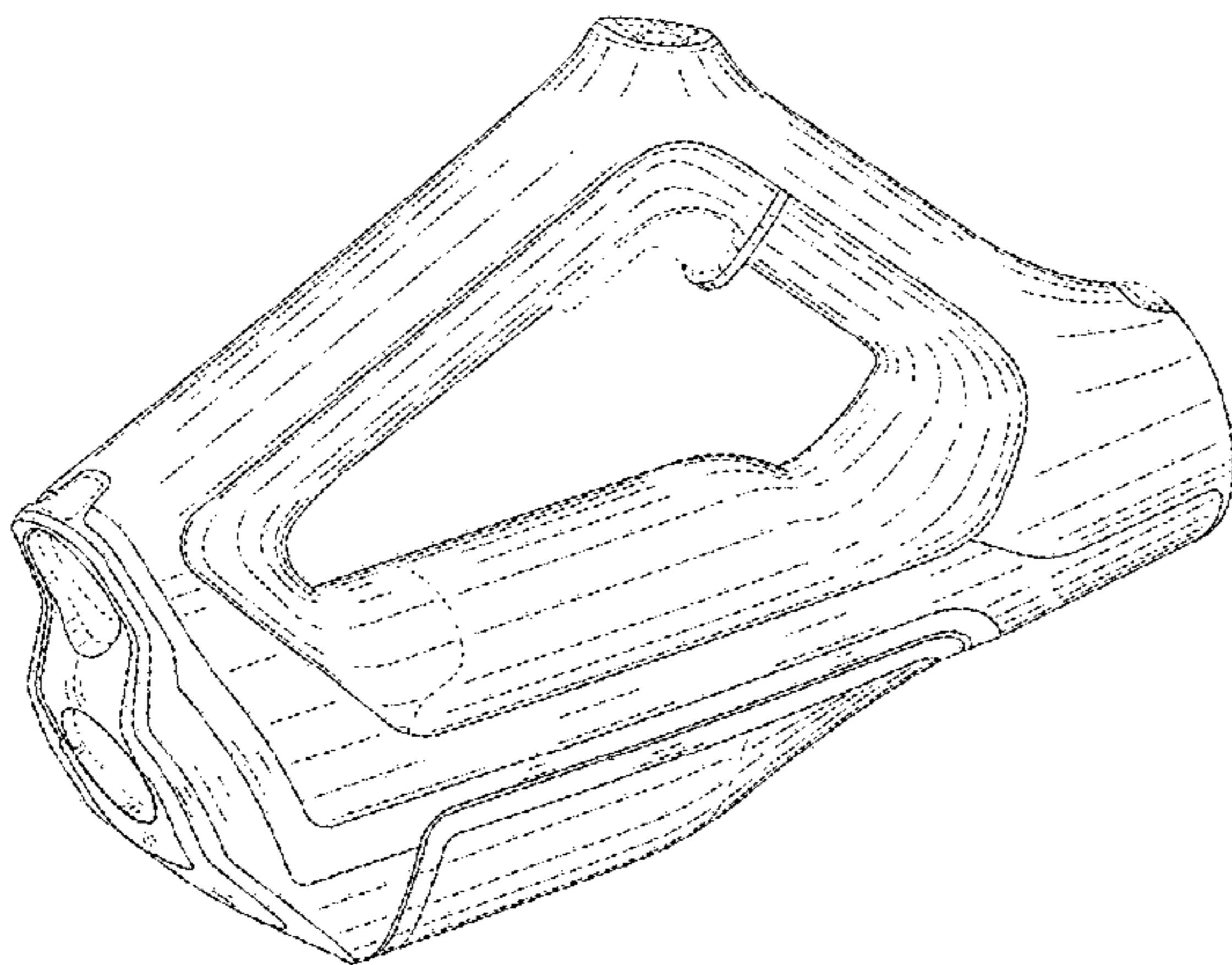


FIG. 1

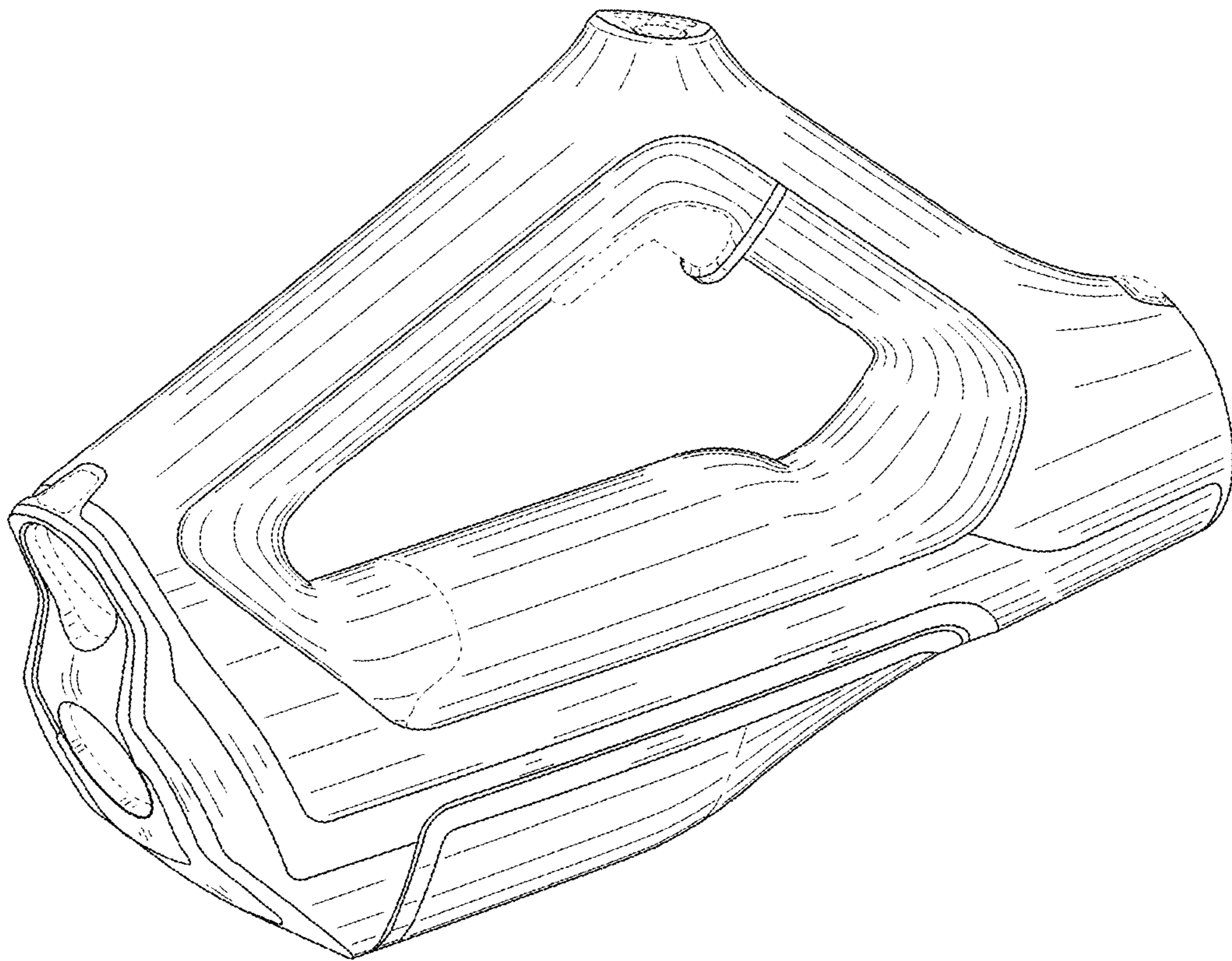


FIG. 2

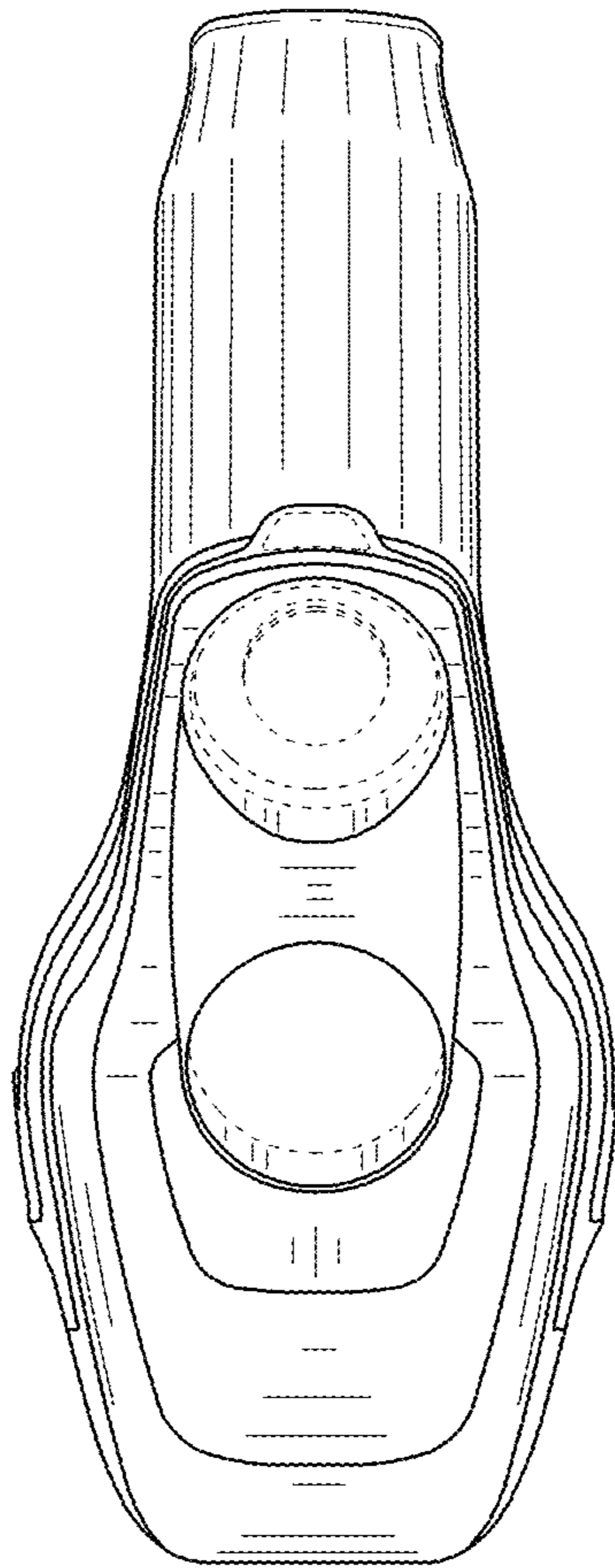


FIG. 3

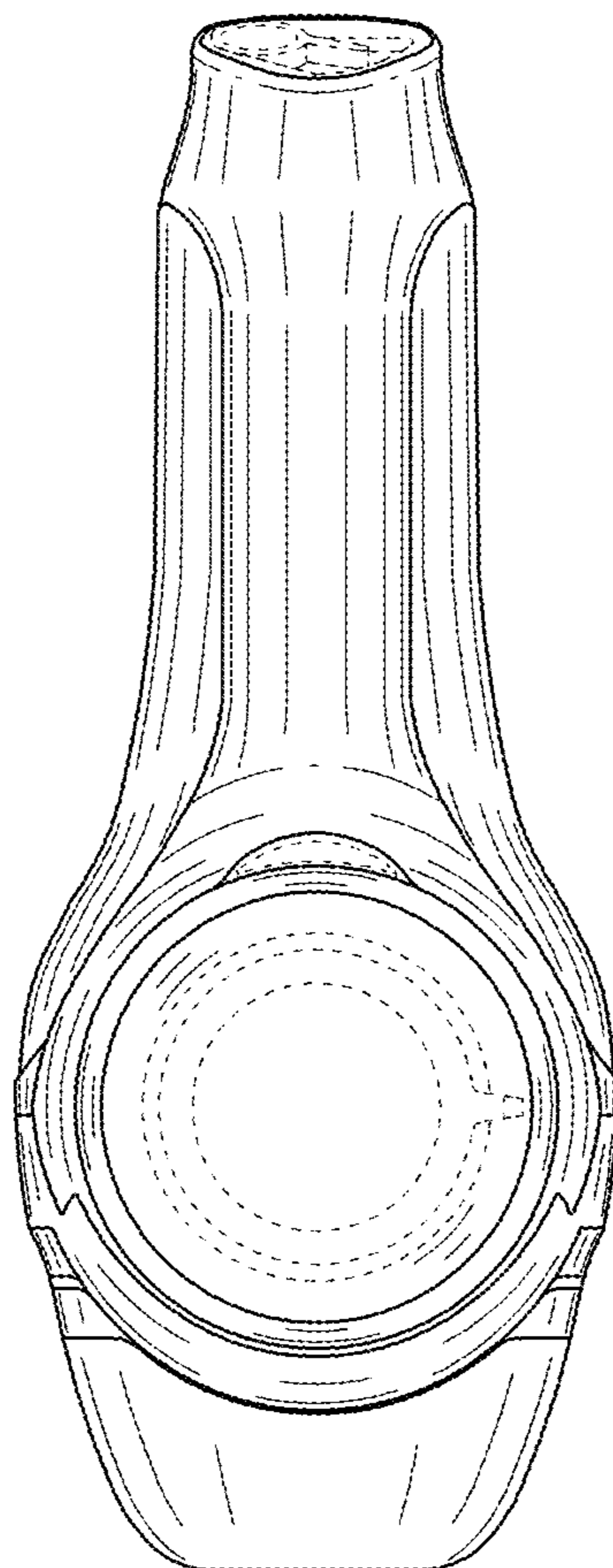


FIG. 4

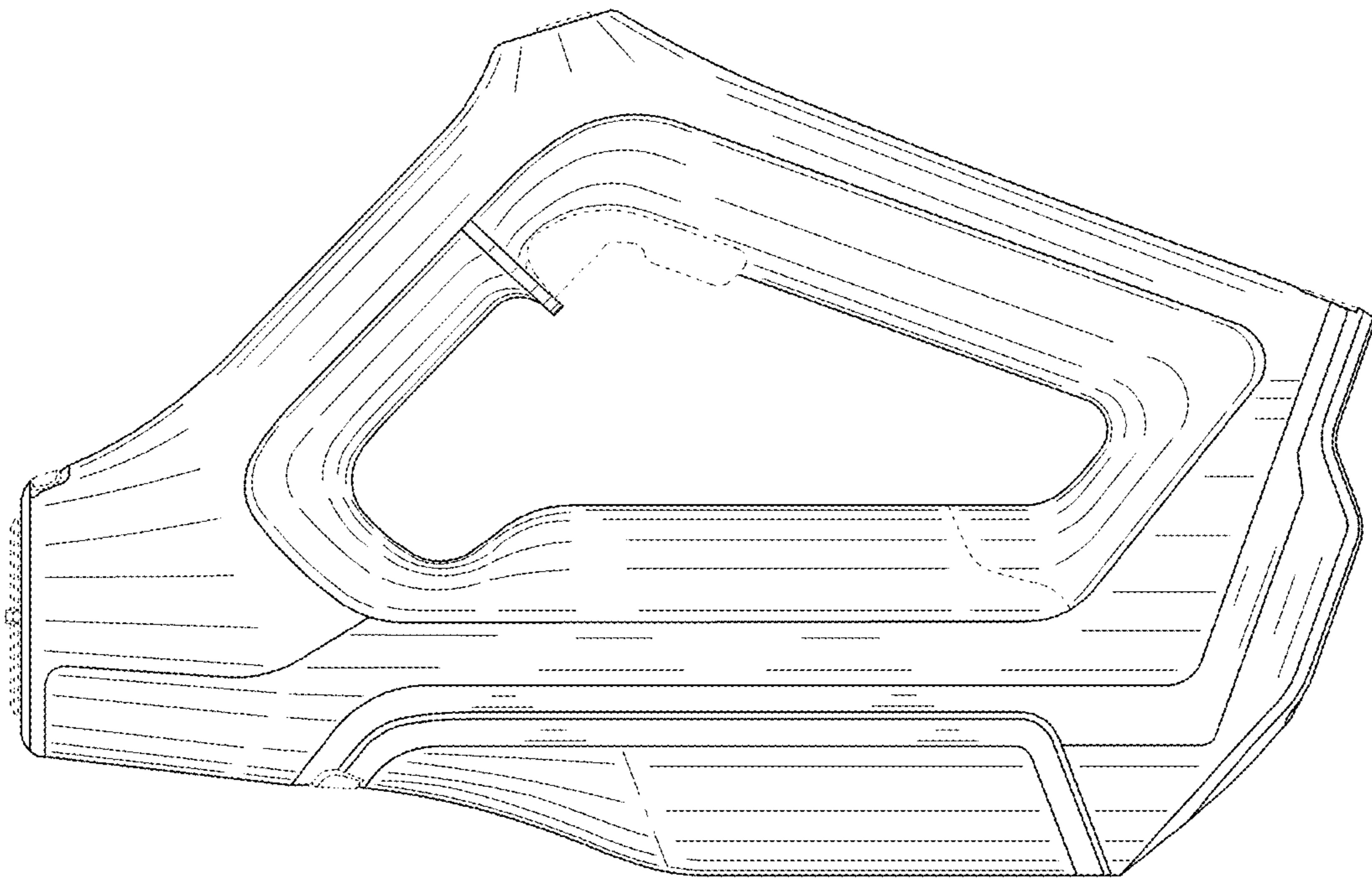


FIG. 5

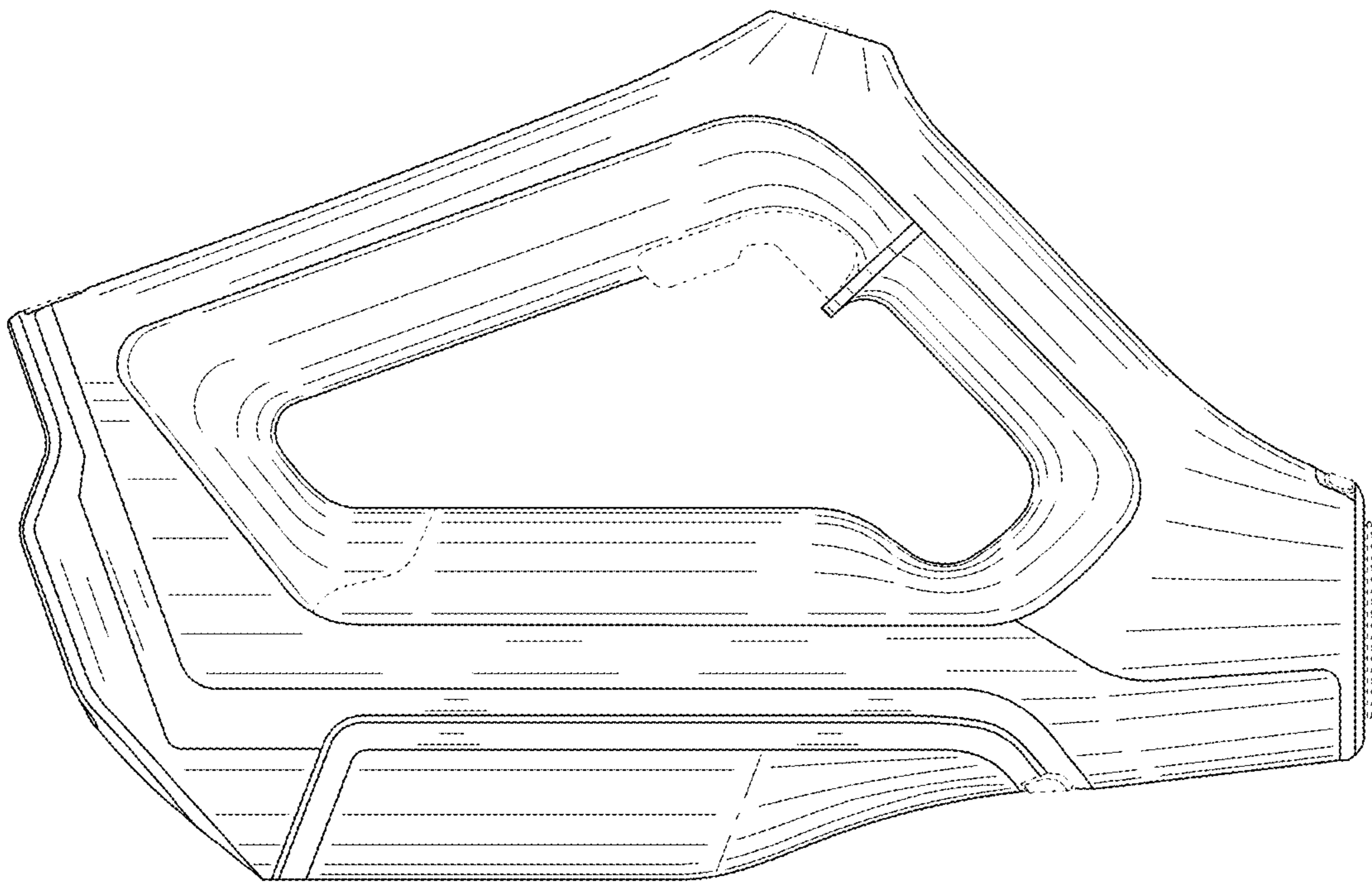


FIG. 6

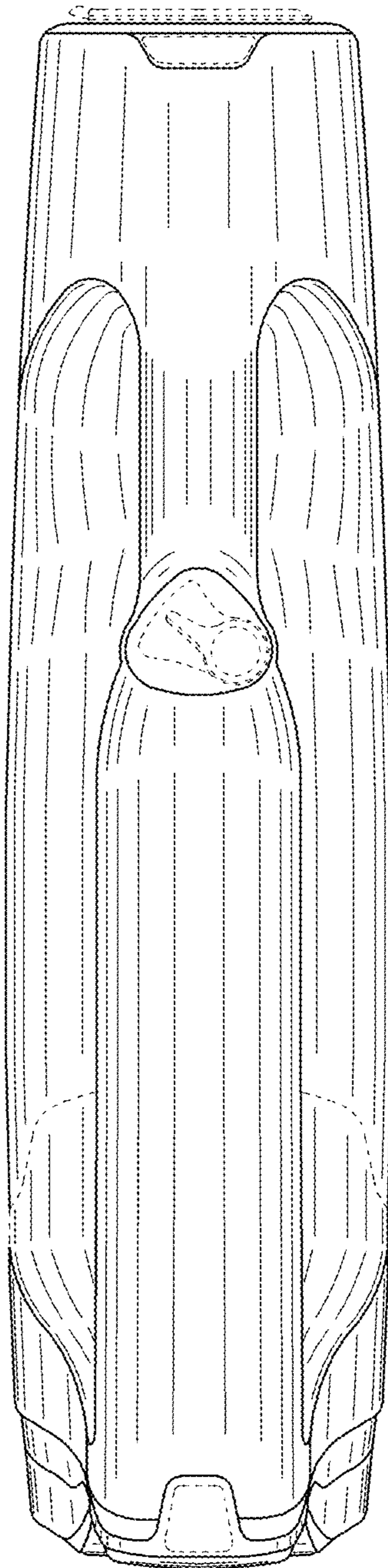


FIG. 7

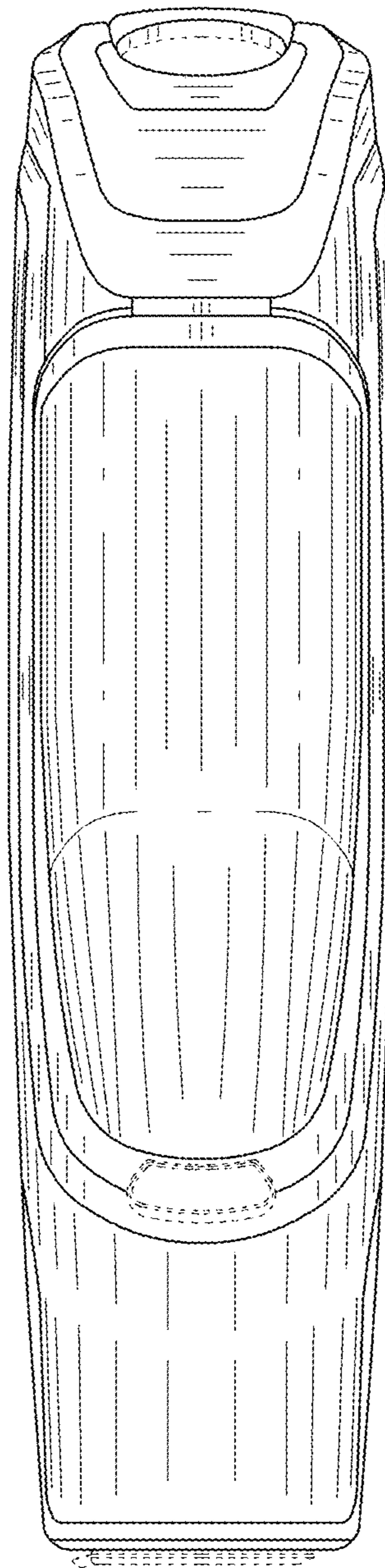


FIG. 8

