



US00D781515S

(12) **United States Design Patent**
Okada et al.

(10) **Patent No.:** **US D781,515 S**
(45) **Date of Patent:** **** *Mar. 14, 2017**

(54) **HEAD FOR A VACUUM CLEANER**

(71) Applicant: **Samsung Electronics Co., Ltd.**,
Suwon-si, Gyeonggi-do (KR)

(72) Inventors: **Norio Okada**, Yokohama (JP);
Hirohisa Miyazaki, Tokyo (JP);
Atsuhiko Yoneda, Warabi (JP);
Mitsuhiko Shigeri, Yokohama (JP);
Masato Suzuki, Saitama (JP)

(73) Assignee: **SAMSUNG ELECTRONICS CO., LTD.**,
Suwon-si, Gyeonggi-Do (KR)

(*) Notice: This patent is subject to a terminal disclaimer.

(**) Term: **15 Years**

(21) Appl. No.: **29/529,639**

(22) Filed: **Jun. 9, 2015**

(30) **Foreign Application Priority Data**

Dec. 11, 2014 (KR) 30-2014-0060500

(51) **LOC (10) Cl.** **15-05**

(52) **U.S. Cl.**
USPC **D32/33**

(58) **Field of Classification Search**

USPC D32/25, 31-33
CPC A47L 9/02; A47L 9/06; A47L 5/28; A47L
5/24; A47L 11/4044; E04H 4/1654; E04H
4/34; A61C 17/3436
See application file for complete search history.

(56) **References Cited**

U.S. PATENT DOCUMENTS

5,867,864 A * 2/1999 Miller A47L 9/0416
15/322
6,370,731 B1 * 4/2002 Carter A47L 9/06
15/393

D520,201 S 5/2006 Dyson et al.
D733,376 S * 6/2015 Bennett D32/33
2004/0074025 A1 * 4/2004 Blaustein B25F 3/00
15/23
2008/0172818 A1 * 7/2008 Yoo A47L 9/04
15/246.3
2012/0144621 A1 * 6/2012 Forbes A46B 13/008
15/389
2013/0326843 A1 * 12/2013 Schwartz A47L 9/02
15/415.1

FOREIGN PATENT DOCUMENTS

CN 302710024 S 1/2008

OTHER PUBLICATIONS

<http://korean.hisupplier.com/product/576511-electrical-go-duster-automatic-duster.html>.

* cited by examiner

Primary Examiner — Ruth McInroy

(74) *Attorney, Agent, or Firm* — Ladas & Parry LLP

(57) **CLAIM**

We claim the ornamental design for a head for a vacuum cleaner, as shown and described.

DESCRIPTION

FIG. 1 is a front perspective view of a head for a vacuum cleaner showing our new design;
FIG. 2 is a front elevational view thereof;
FIG. 3 is a rear elevational view thereof;
FIG. 4 is a left-side elevational view thereof;
FIG. 5 is a right-side elevational view thereof;
FIG. 6 is a top plan view thereof; and,
FIG. 7 is a bottom plan view thereof.

1 Claim, 5 Drawing Sheets

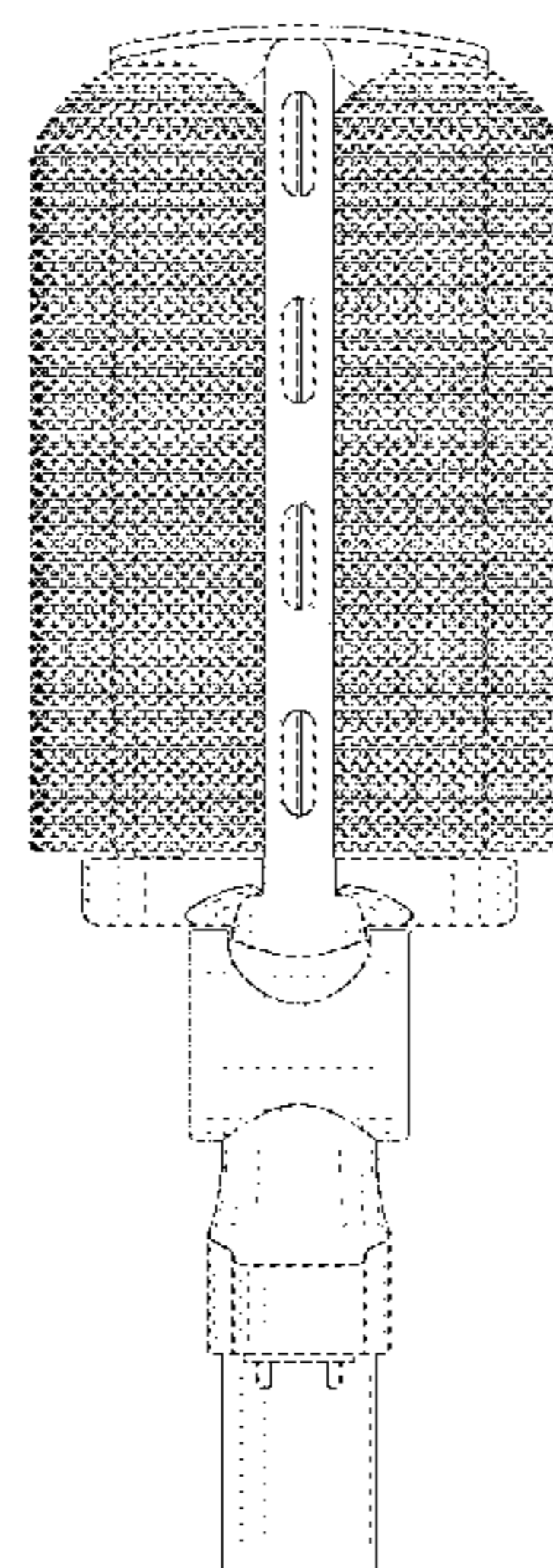
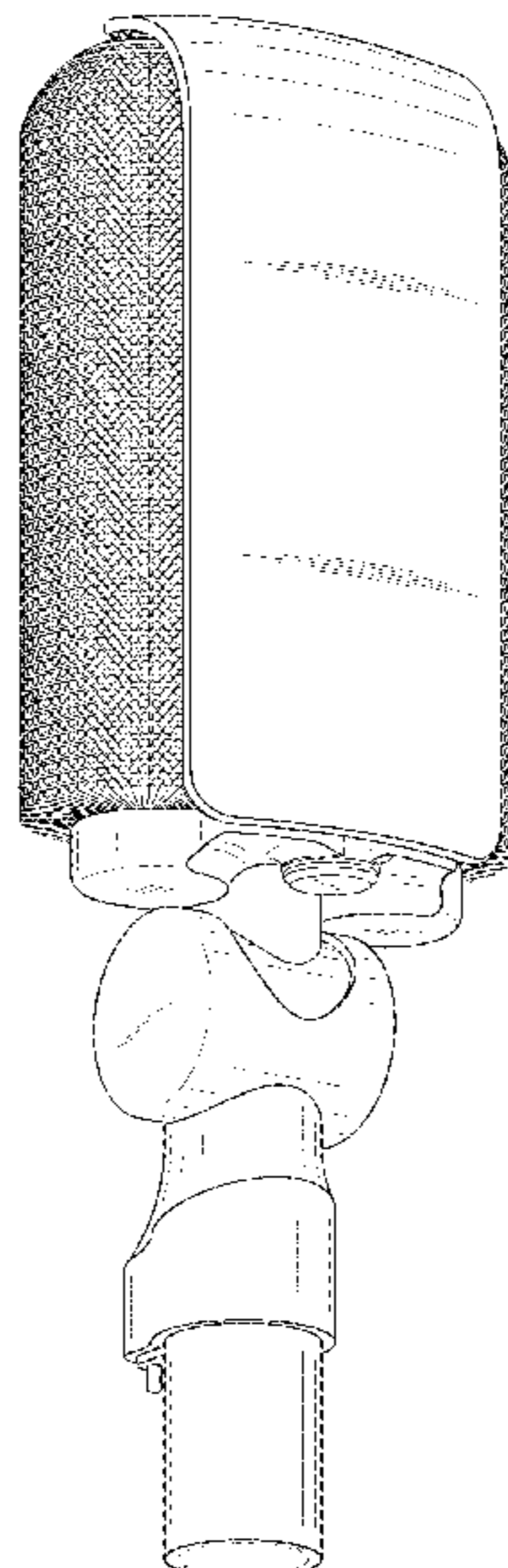


FIG. 1

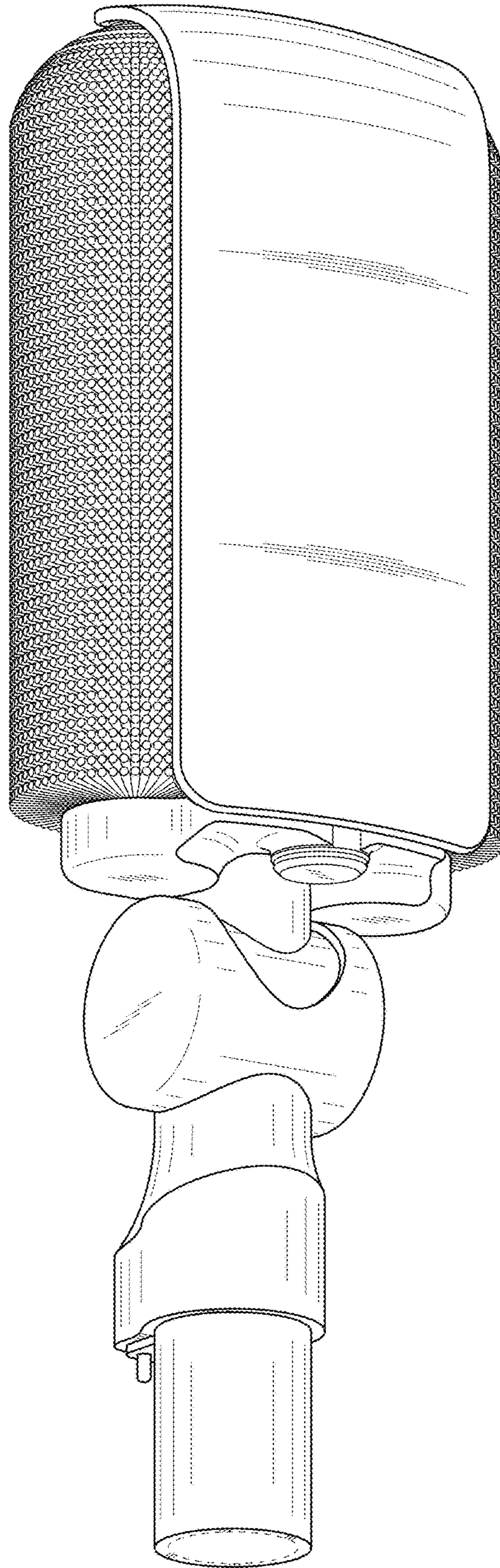


FIG. 2

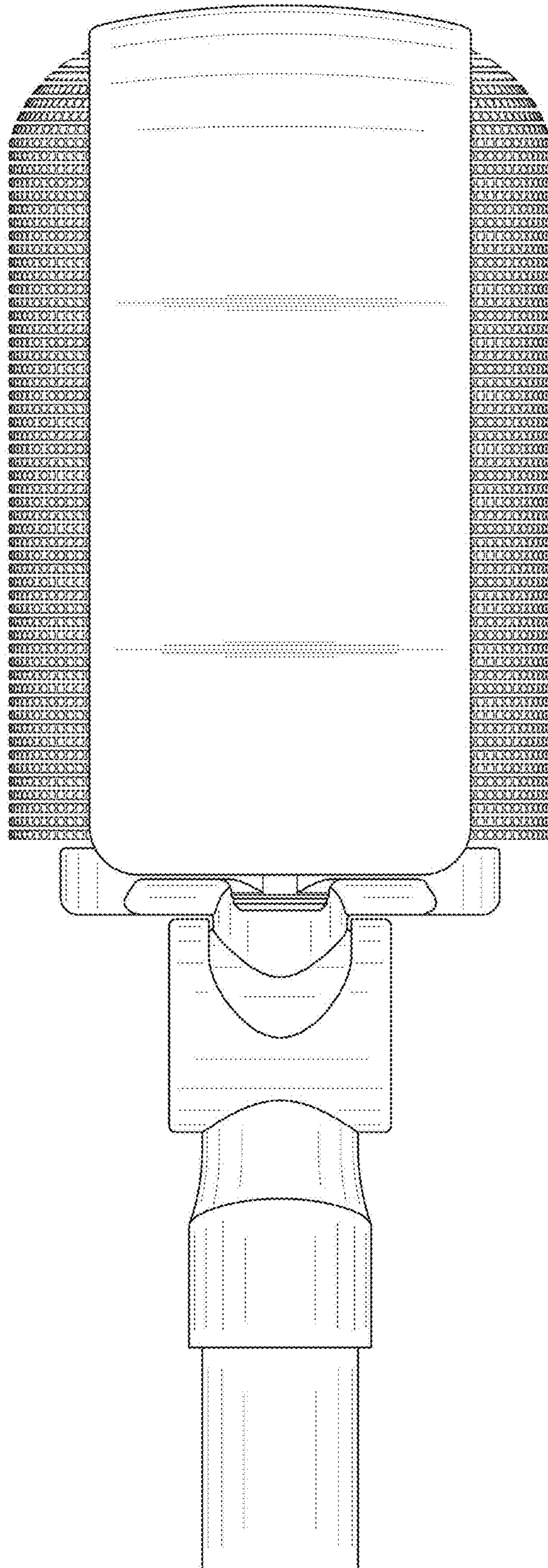


FIG. 3

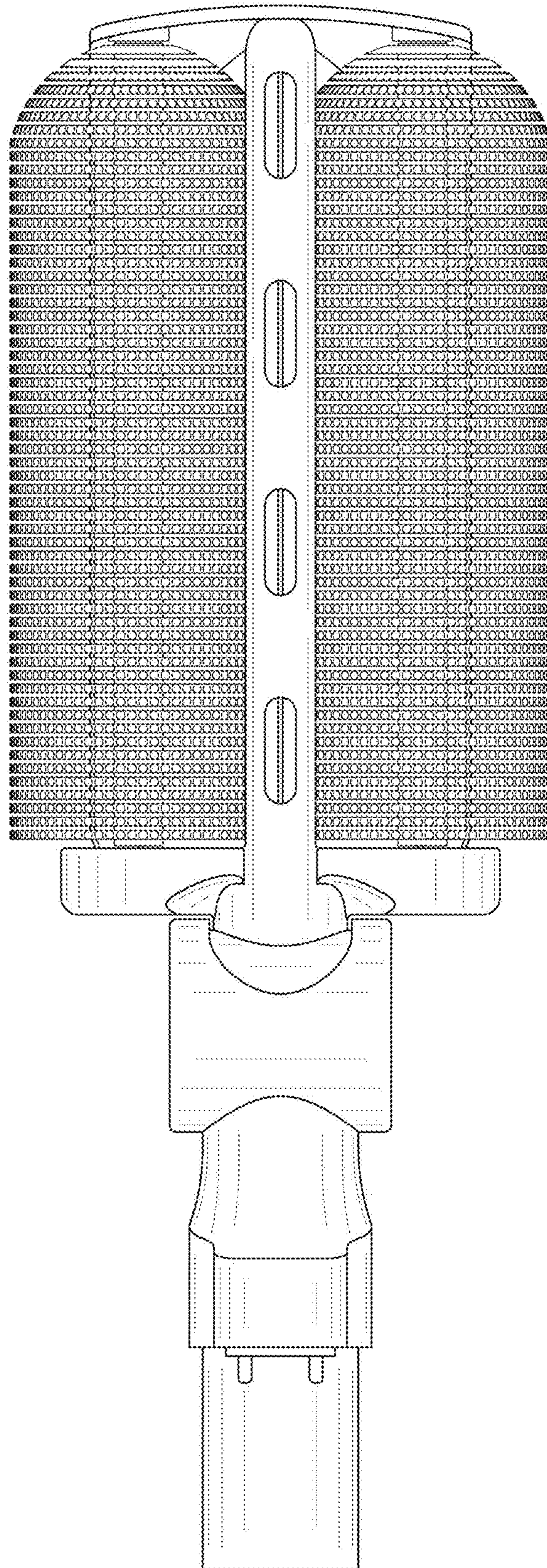


FIG.4

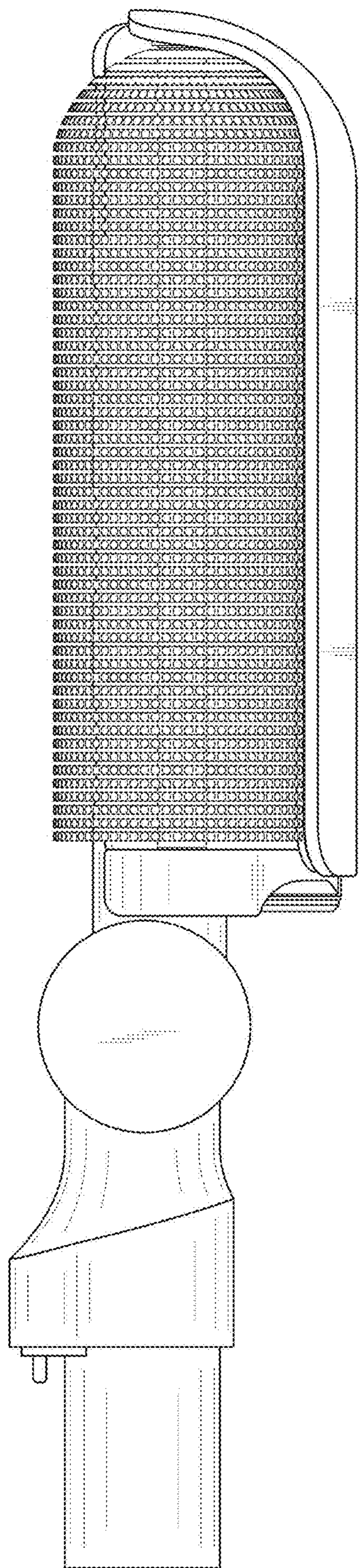


FIG.5

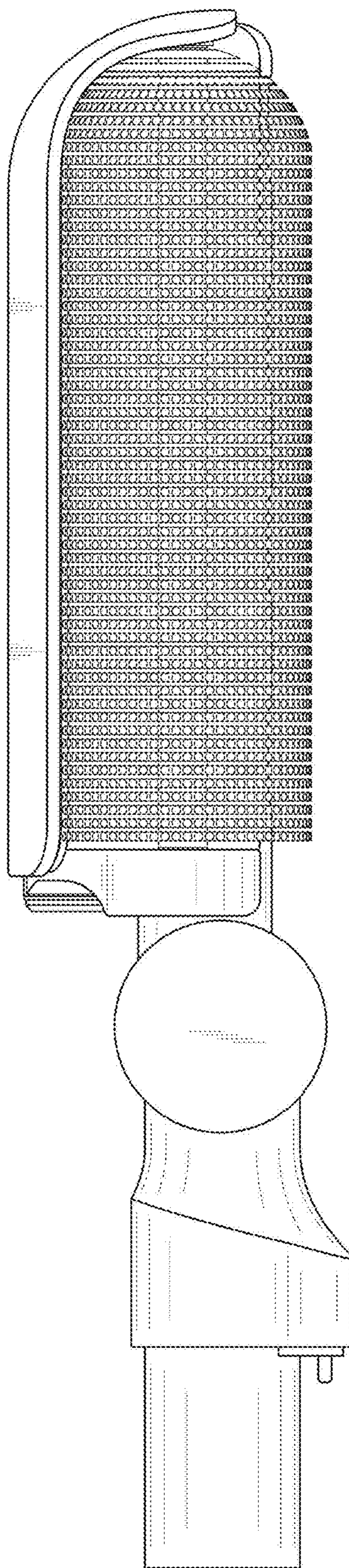


FIG.6

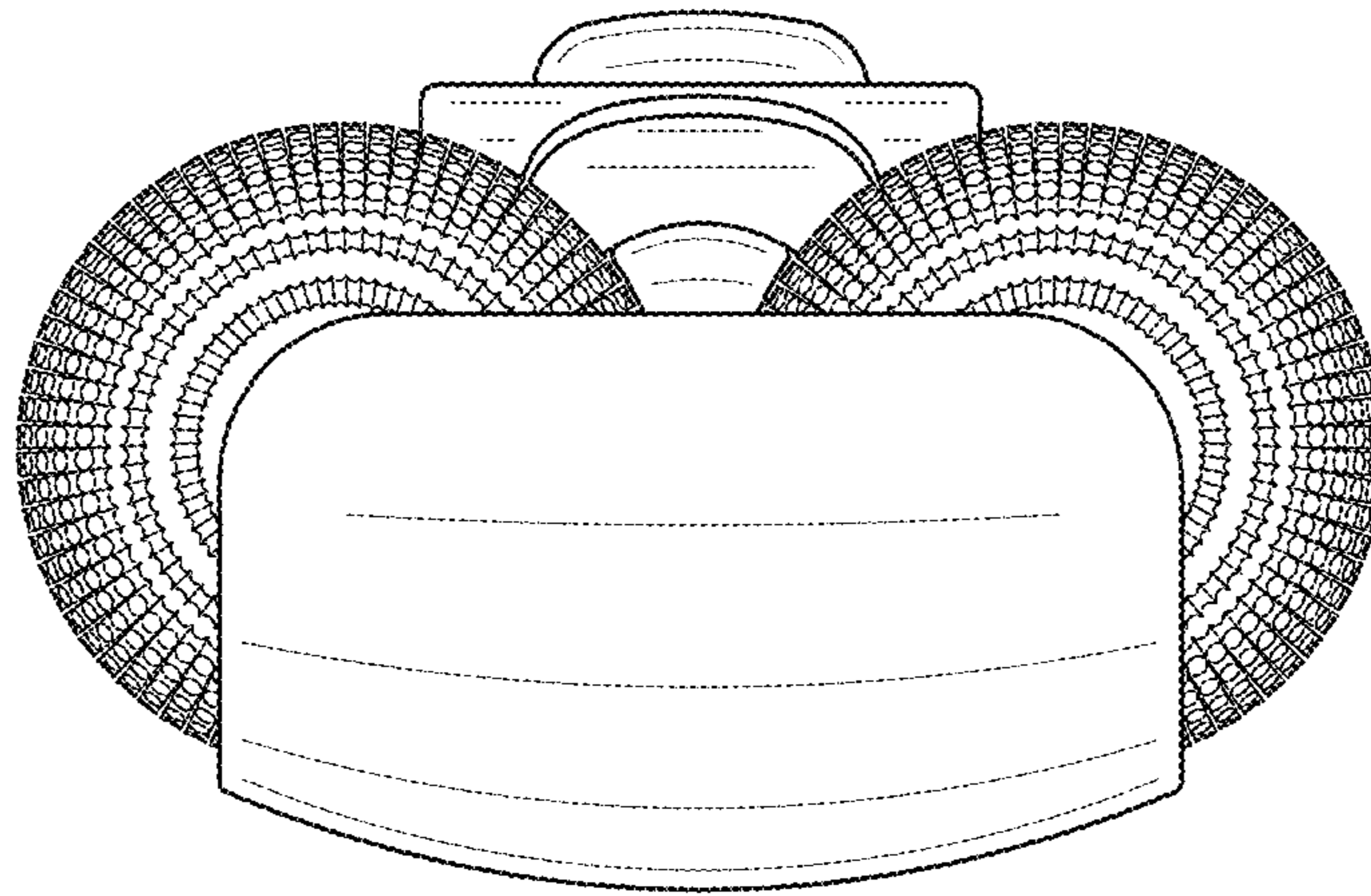


FIG.7

