



US00D781512S

(12) **United States Design Patent**
Neumann et al.

(10) **Patent No.:** **US D781,512 S**

(45) **Date of Patent:** **** Mar. 14, 2017**

(54) **ROBOT**

(71) Applicant: **iRobot Corporation**, Bedford, MA (US)

(72) Inventors: **Rogelio Manfred Neumann**, Somerville, MA (US); **Stuart Jang**, Sudbury, MA (US); **Derek Verhoorn**, Chelmsford, MA (US)

(73) Assignee: **iRobot Corporation**, Bedford, MA (US)

(**) Term: **14 Years**

(21) Appl. No.: **29/517,453**

(22) Filed: **Feb. 12, 2015**

(51) **LOC (10) Cl.** **15-05**

(52) **U.S. Cl.**
USPC **D32/21**

(58) **Field of Classification Search**
USPC D32/17-18, 21-22, 31-34
CPC .. A47L 19/02; A47L 19/2842; A47L 19/0461;
A47L 5/24; E04H 4/1654; E04H 4/169;
E04H 4/1609; E04H 4/1618; E04H
4/1636; E04H 4/16; E01H 1/0836
See application file for complete search history.

(56) **References Cited**

U.S. PATENT DOCUMENTS

D556,961 S * 12/2007 Swyst D15/199
D659,311 S 5/2012 Geringer et al.

D660,530 S * 5/2012 Geringer D32/21
D670,877 S * 11/2012 Geringer D32/21
D690,478 S * 9/2013 Li D32/21
D714,002 S * 9/2014 Casini D32/21
8,881,339 B2 11/2014 Gilbert et al.
8,955,192 B2 2/2015 Gilbert et al.
2016/0183752 A1* 6/2016 Morin F24F 3/1603
134/18

* cited by examiner

Primary Examiner — Ruth McInroy

(74) *Attorney, Agent, or Firm* — Fish & Richardson P.C.

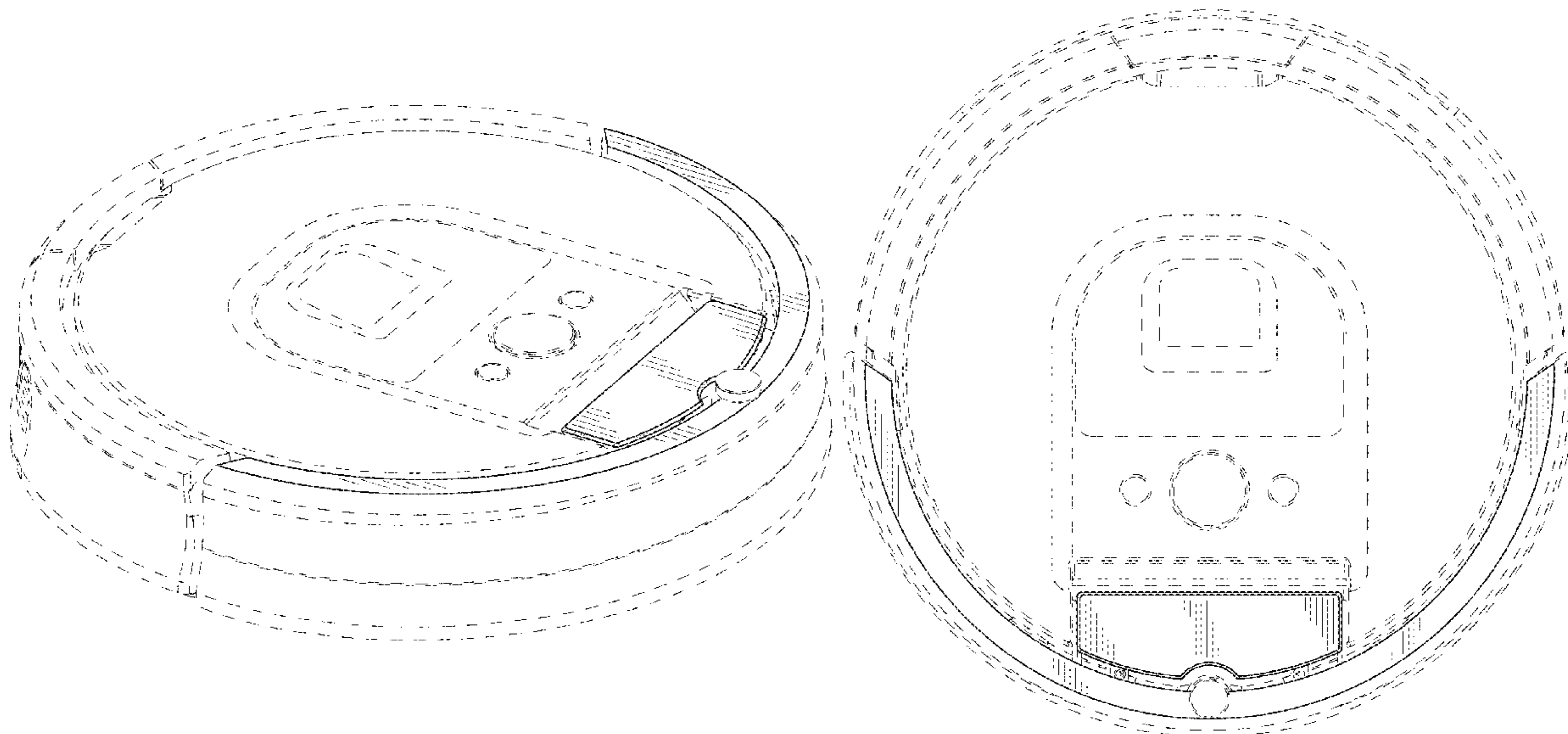
(57) **CLAIM**

We claim the ornamental design for a robot, as shown and described.

DESCRIPTION

FIG. 1 is a perspective view of a robot showing our new design;
FIG. 2 is a top view thereof;
FIG. 3 is a bottom view thereof;
FIG. 4 is a rear view thereof;
FIG. 5 is a front view thereof;
FIG. 6 is a right side view thereof; and,
FIG. 7 is a left side view thereof.
The details shown in broken lines form no part of the claimed design.

1 Claim, 5 Drawing Sheets



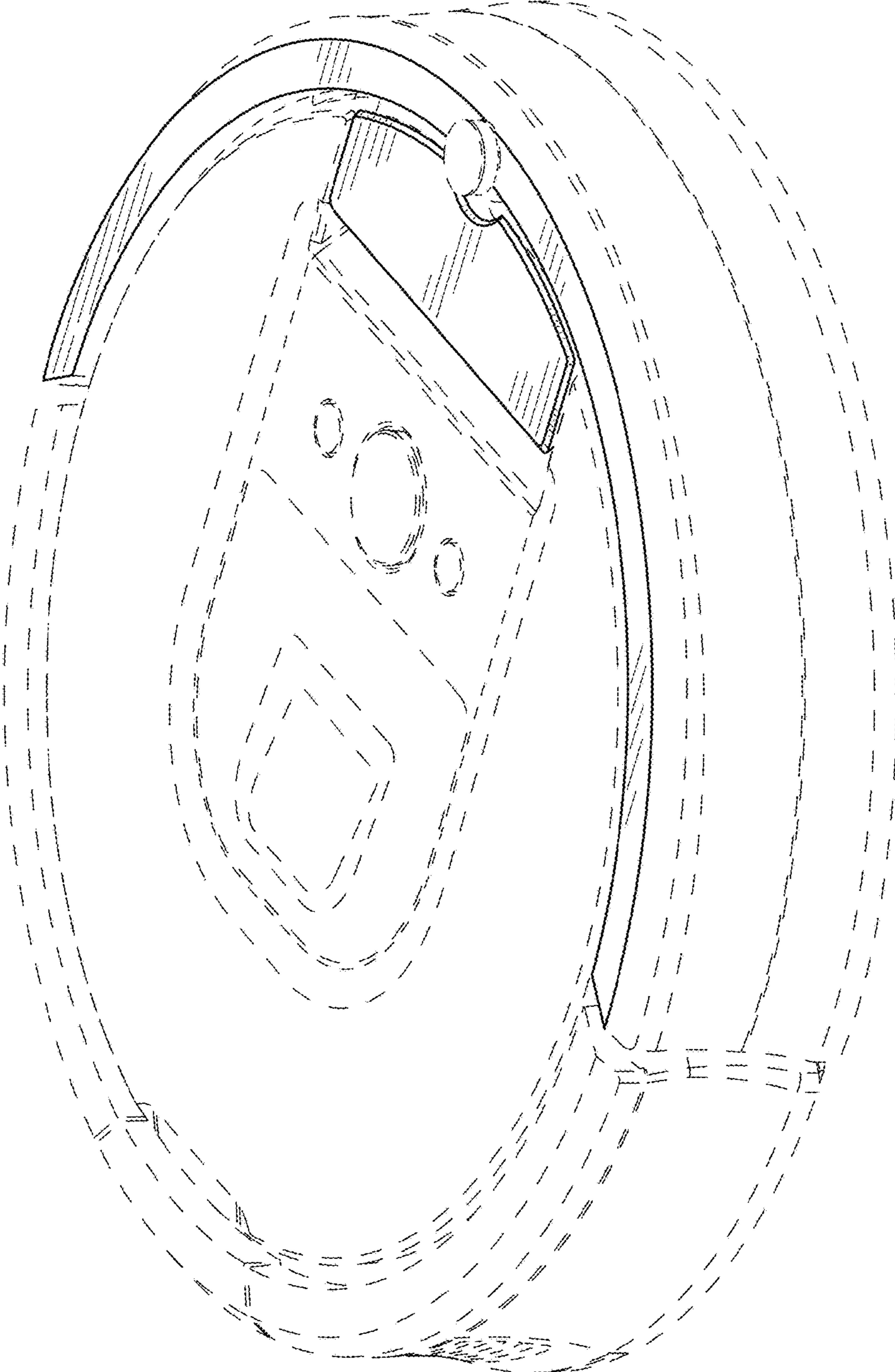


FIG. 1

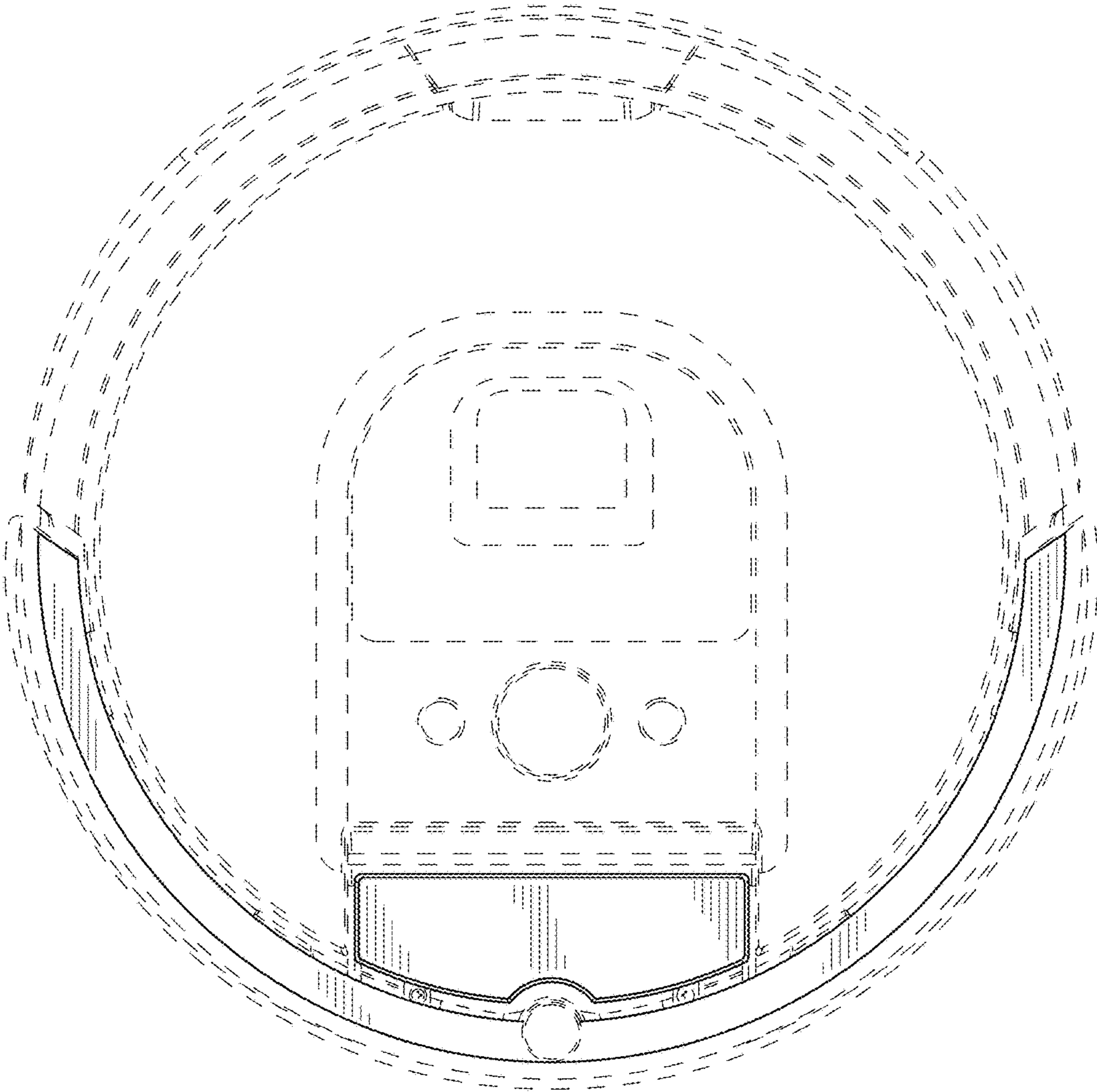


FIG. 2

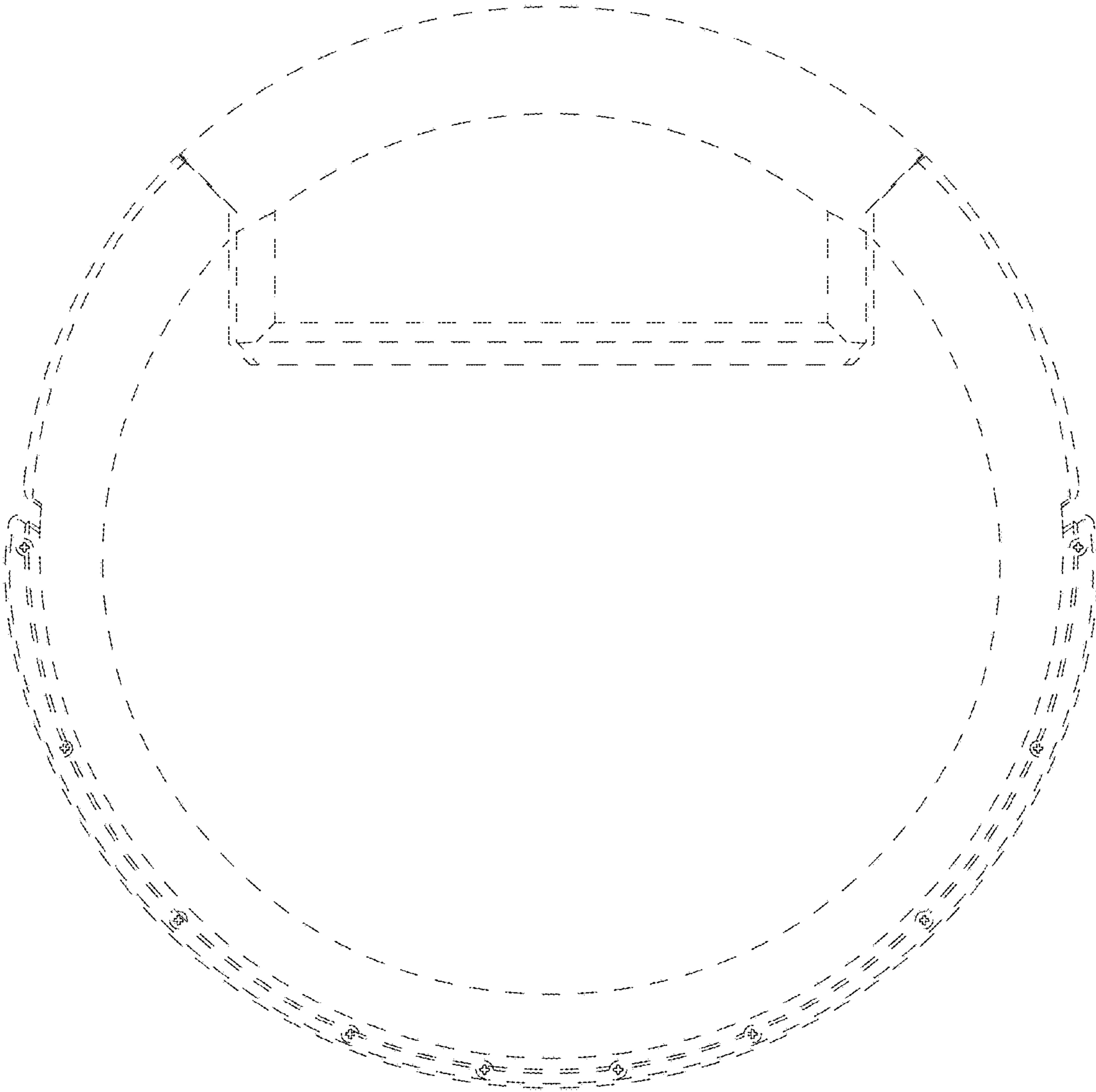


FIG. 3

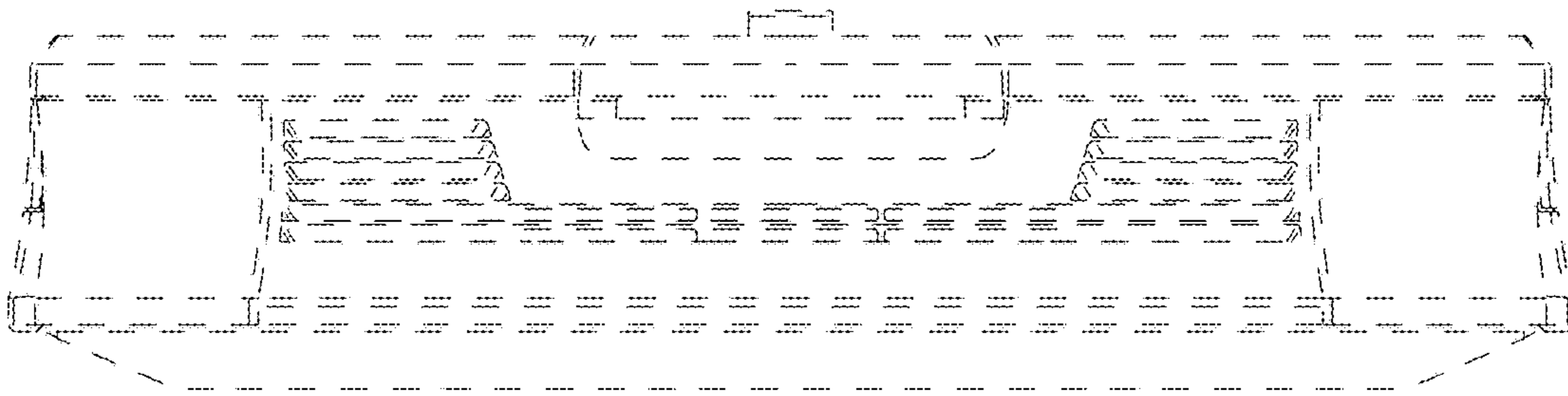


FIG. 4

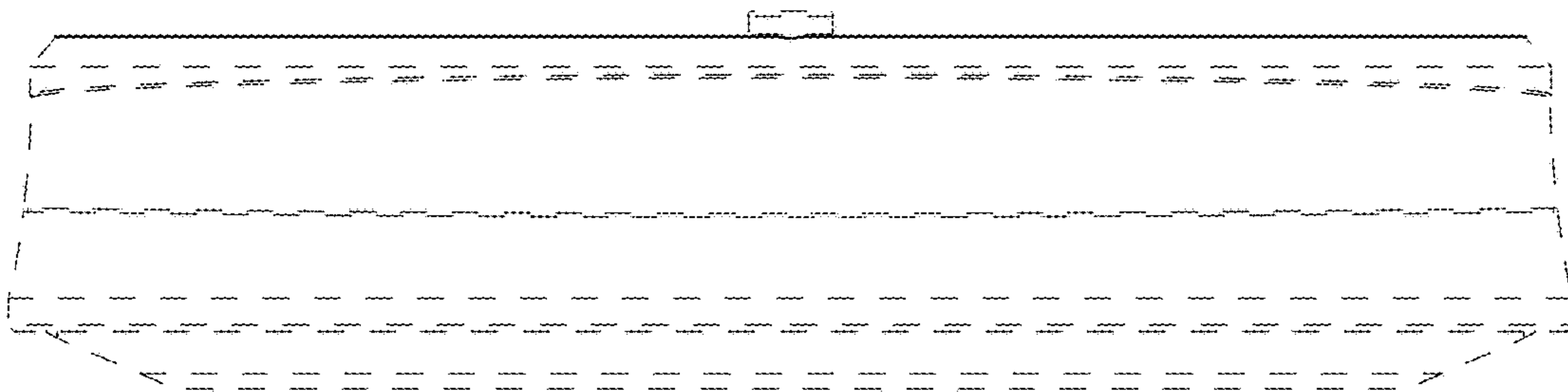


FIG. 5

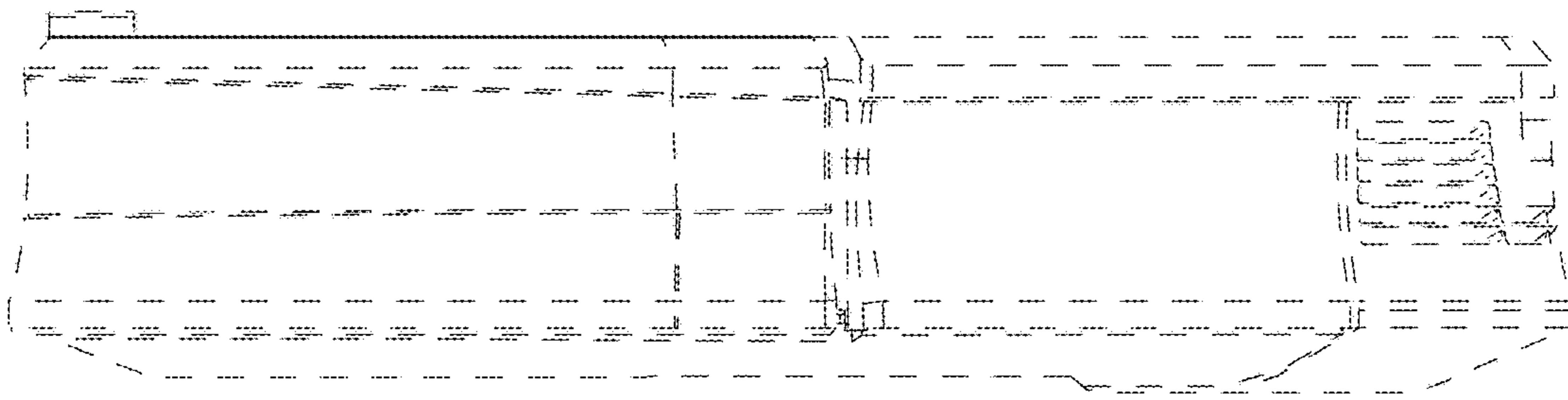


FIG. 6

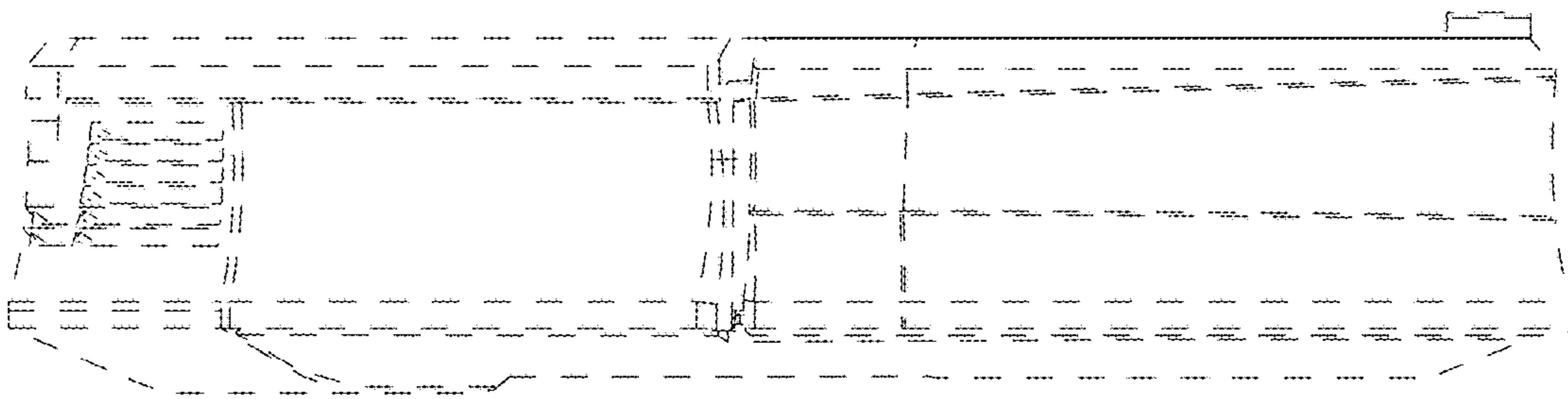


FIG. 7