



US00D781511S

(12) **United States Design Patent**
Meyer et al.

(10) **Patent No.:** **US D781,511 S**

(45) **Date of Patent:** **** Mar. 14, 2017**

- (54) **HIGH-PRESSURE CLEANER**
- (71) Applicant: **Alfred Kaercher GmbH & Co. KG**,
Winnenden (DE)
- (72) Inventors: **Michael Meyer**, Schwaikheim (DE);
Reinhard Renner, Esslingen (DE)
- (73) Assignee: **Alfred Kaercher GmbH & Co. KG**,
Winnenden (DE)

D648,493	S	*	11/2011	Alexander	D32/15
D660,525	S	*	5/2012	Alexander	D32/15
D661,438	S	*	6/2012	Alexander	D32/15
D675,794	S	*	2/2013	Chen	D32/15
D711,603	S	*	8/2014	Alexander	D32/16
D728,872	S	*	5/2015	Alexander	D32/15
D739,099	S	*	9/2015	Tatic	D32/15
D739,100	S	*	9/2015	Tatic	D32/15
D743,643	S	*	11/2015	Casey	D32/15
2005/0189437	A1	*	9/2005	Alexander	B08B 3/026 239/332

(Continued)

(**) Term: **15 Years**

(21) Appl. No.: **29/540,347**

(22) Filed: **Sep. 23, 2015**

(30) **Foreign Application Priority Data**

Apr. 9, 2015 (WO) 885422601

(51) **LOC (10) Cl.** **15-05**

(52) **U.S. Cl.**
USPC **D32/16**

(58) **Field of Classification Search**
USPC D23/223, 225, 226
CPC B05B 7/32; B05B 7/0876; B05B 1/12; B05B
7/005; B05B 1/1654; B08B 3/026; F04F
5/00; F04B 17/05

See application file for complete search history.

(56) **References Cited**

U.S. PATENT DOCUMENTS

D568,557	S	*	5/2008	Alexander	D32/15
D646,853	S	*	10/2011	Alexander	D32/15
D647,256	S	*	10/2011	Alexander	D32/15
D647,257	S	*	10/2011	Alexander	D32/15
D647,258	S	*	10/2011	Alexander	D32/15
D647,672	S	*	10/2011	Alexander	D32/15
D648,081	S	*	11/2011	Alexander	D32/15

OTHER PUBLICATIONS

Extract from catalog of Alfred Kaercher GmbH & Co. KG, "Programme 2010 Kaercher Home & Garden", cover, pp. 10-24 and last page (Nov. 2009).

(Continued)

Primary Examiner — Michael A. Pratt

Assistant Examiner — Michelle E Wilson

(74) *Attorney, Agent, or Firm* — Lipsitz & McAllister,
LLC

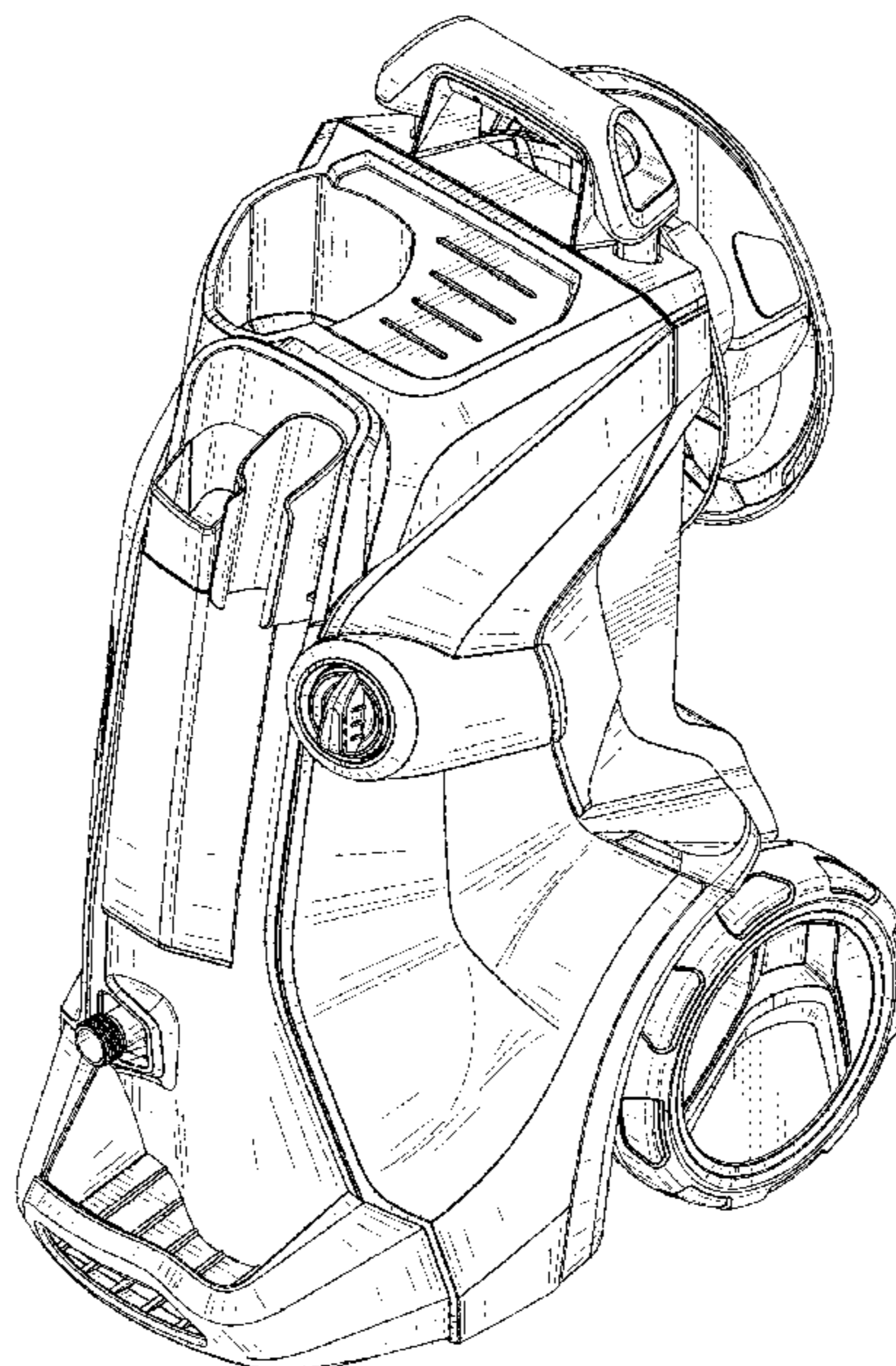
(57) **CLAIM**

The ornamental design for a high-pressure cleaner, as shown and described.

DESCRIPTION

FIG. 1 is a front, top and left side perspective view of a high-pressure cleaner showing the new design; FIG. 2 is a front, top and right side perspective view thereof; FIG. 3 is a front elevational view thereof; FIG. 4 is a left side elevational view thereof; FIG. 5 is a rear elevational view thereof; FIG. 6 is a right side elevational view thereof; and, FIG. 7 is a top plan view thereof.

1 Claim, 7 Drawing Sheets



(56)

References Cited

U.S. PATENT DOCUMENTS

2008/0245425 A1* 10/2008 Alexander B08B 3/026
137/565.13

OTHER PUBLICATIONS

Extract from catalog of Alfred Kaercher GmbH & Co. KG, "Programme 2010 Kaercher Professional (Professional, Commercial, Industrial)", cover, pp. 10-18, 21, 25 and last page (Nov. 2009).

Extract from catalog of Alfred Kaercher GmbH & Co. KG, "Programme 2011 Kaercher Professional (Commercial)", cover, pp. 12, 14, 16, 18, 24, 26 and last page (Nov. 2010).

Extract from catalog of Alfred Kaercher GmbH & Co. KG, "Programme 2011 Kaercher Home & Garden", cover, pp. 12-31 and last page (Nov. 2010).

Extract from catalog of Alfred Kaercher GmbH & Co. KG, "Programme 2012 Kaercher Home & Garden", cover, pp. 14, 15, 17, 20-41 and last page (Oct. 2011).

Extract from catalog of Alfred Kaercher GmbH & Co. KG, "Programme 2012 Kaercher Professional", cover, pp. 12, 14, 16, 18, 20-25, 28, 30, 32, 34-36, 38, 40-42, 44 and last page (Nov. 2011).

Extract from catalog of Alfred Kaercher GmbH & Co. KG, "Programme 2013 Kaercher Home and Garden", cover, pp. 15-17, 19-33, 36, 37, 39, 41-46 and last page (Oct. 2012).

Extract from catalog of Alfred Kaercher GmbH & Co. KG, "Programme 2013 Kaercher Professional", cover, pp. 16-49 and last page, (Nov. 2012).

Extract from catalog of Alfred Kaercher GmbH & Co. KG, "Programme 2014 Kaercher Home and Garden", cover, pp. 11-13, 16-36 and last page (Oct. 2013).

Extract from catalog of Alfred Kaercher GmbH & Co. KG, "Programme 2014 Kaercher Professional", cover, pp. 18, 20, 22, 24, 26-32, 34, 36, 38, 40-42, 44, 46, 47, 63, 78, 105, 109, 115, 117 and last page (Oct. 2013).

Extract from catalog of Alfred Kaercher GmbH & Co. KG, "Programme 2015 Professional Pro-Range", cover, pp. 6, 8 and last page (Dec. 2014).

Extract from catalog of Alfred Kaercher GmbH & Co. KG, "Programme 2015 Professional", cover, pp. 11, 28-183 and last page (Nov. 2014).

Extract from catalog of Alfred Kaercher GmbH & Co. KG, "Programme 2015/2016 Home & Garden 60 Hz", cover, pp. 3, 9-49 and last page (Nov. 2014).

* cited by examiner

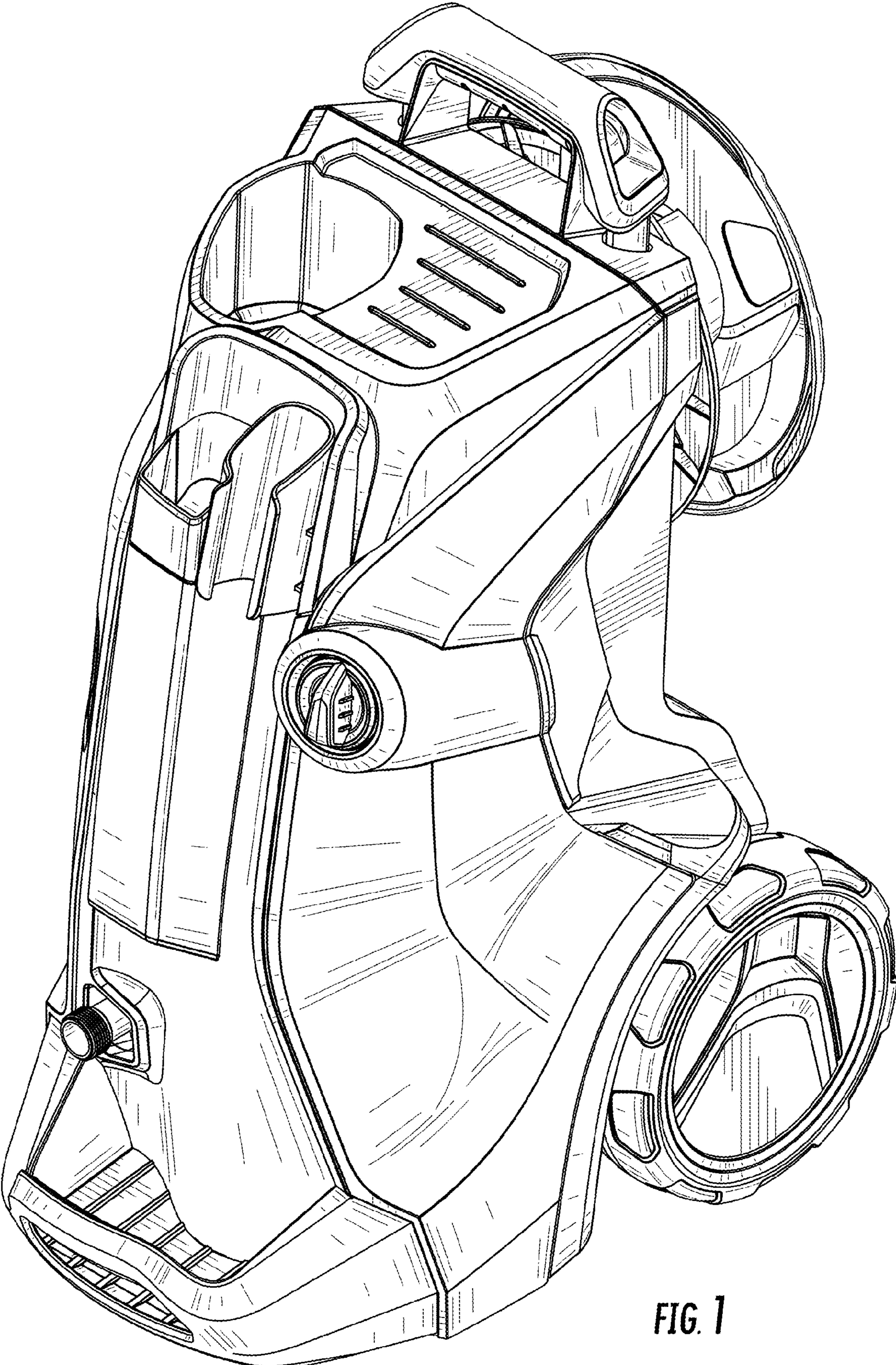


FIG. 1

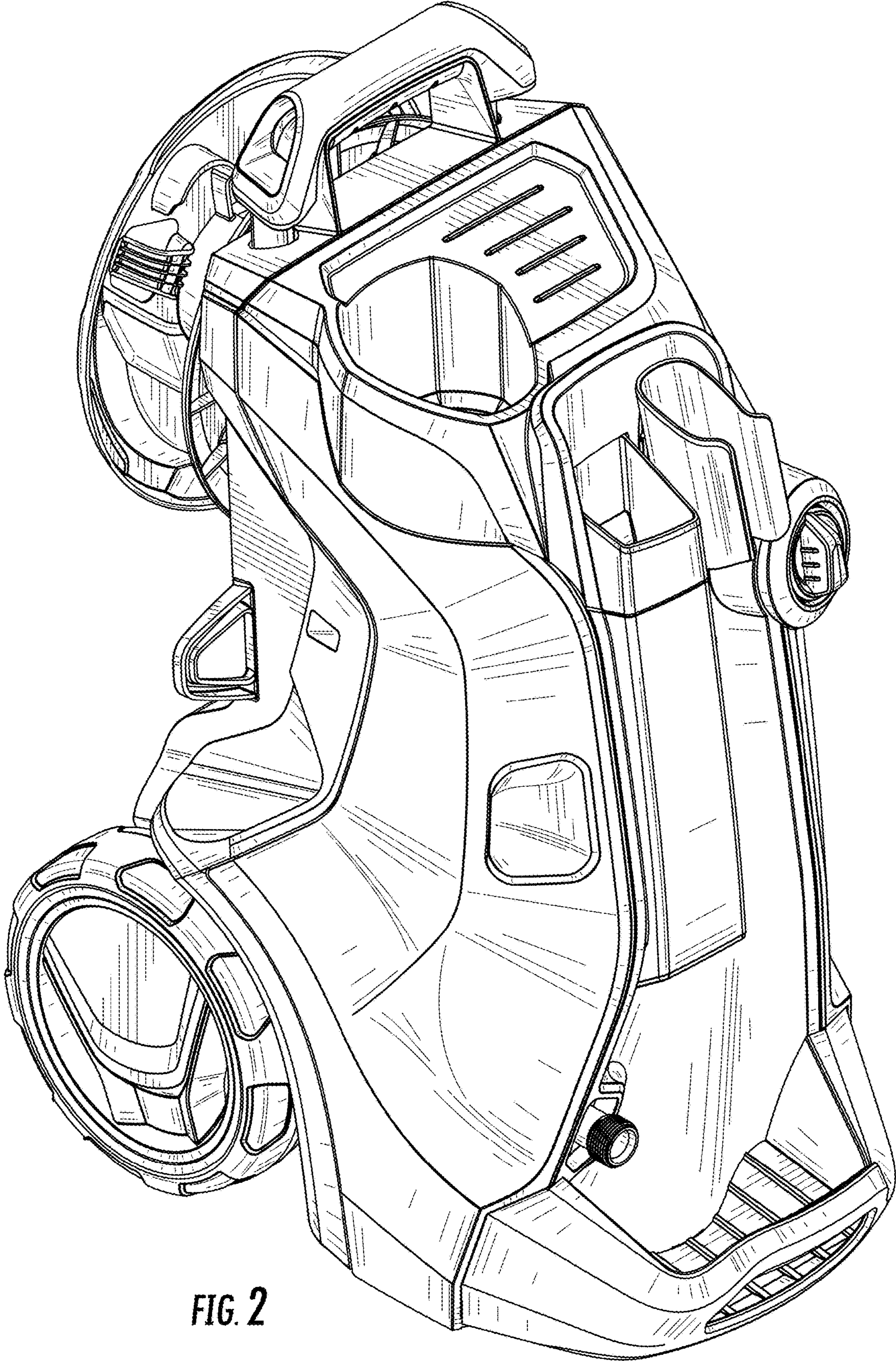


FIG. 2

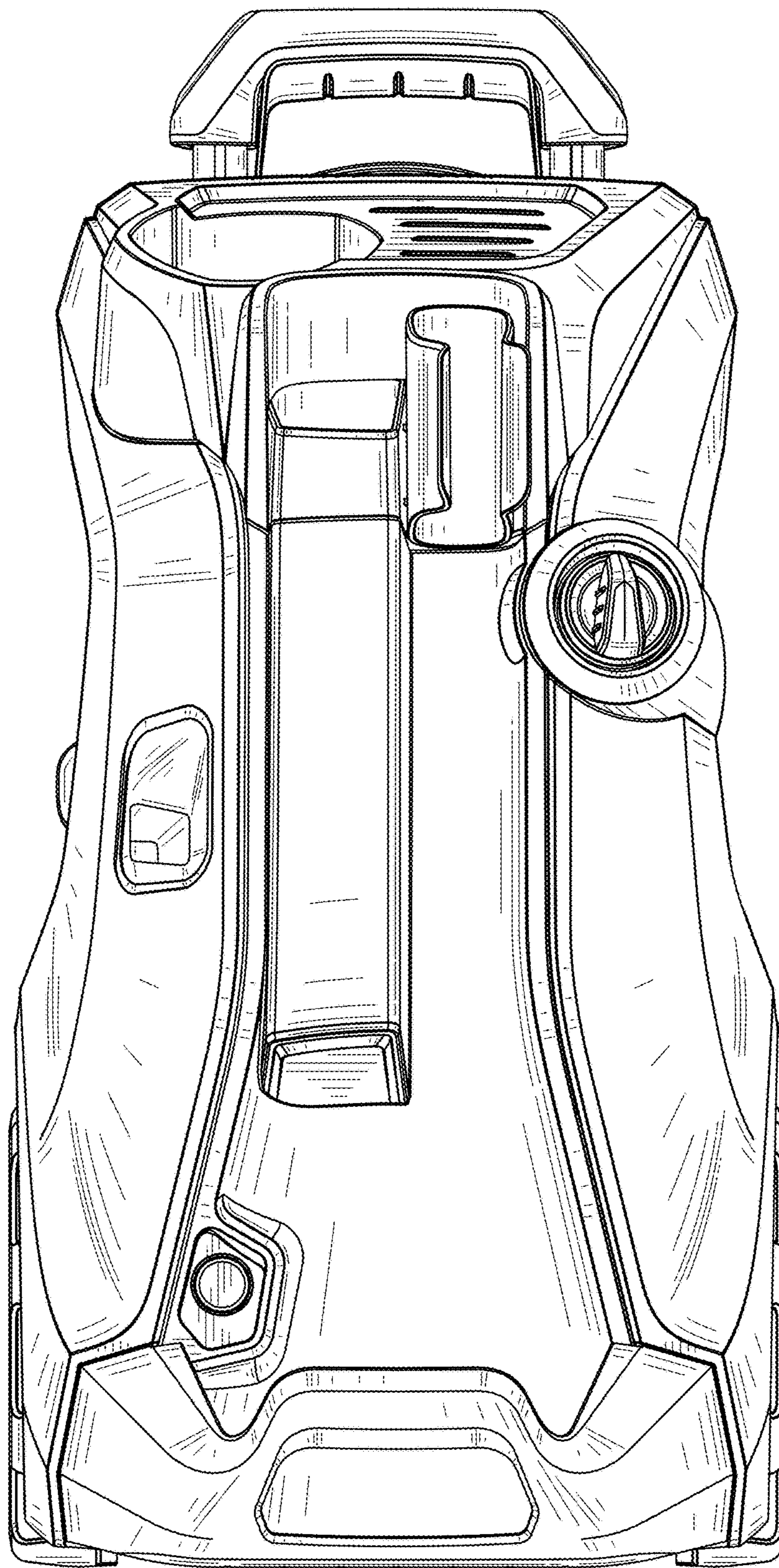


FIG. 3

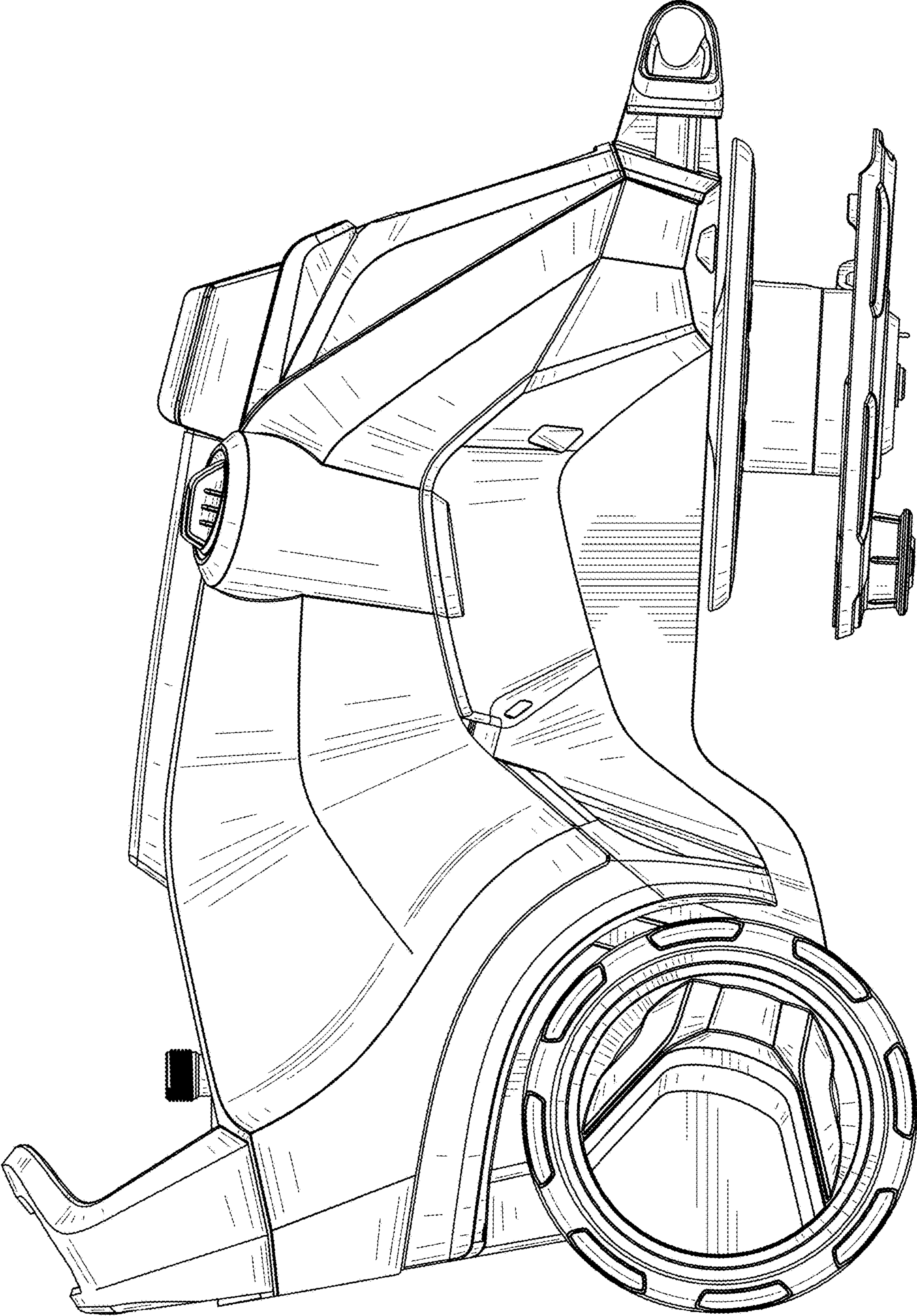


FIG. 4

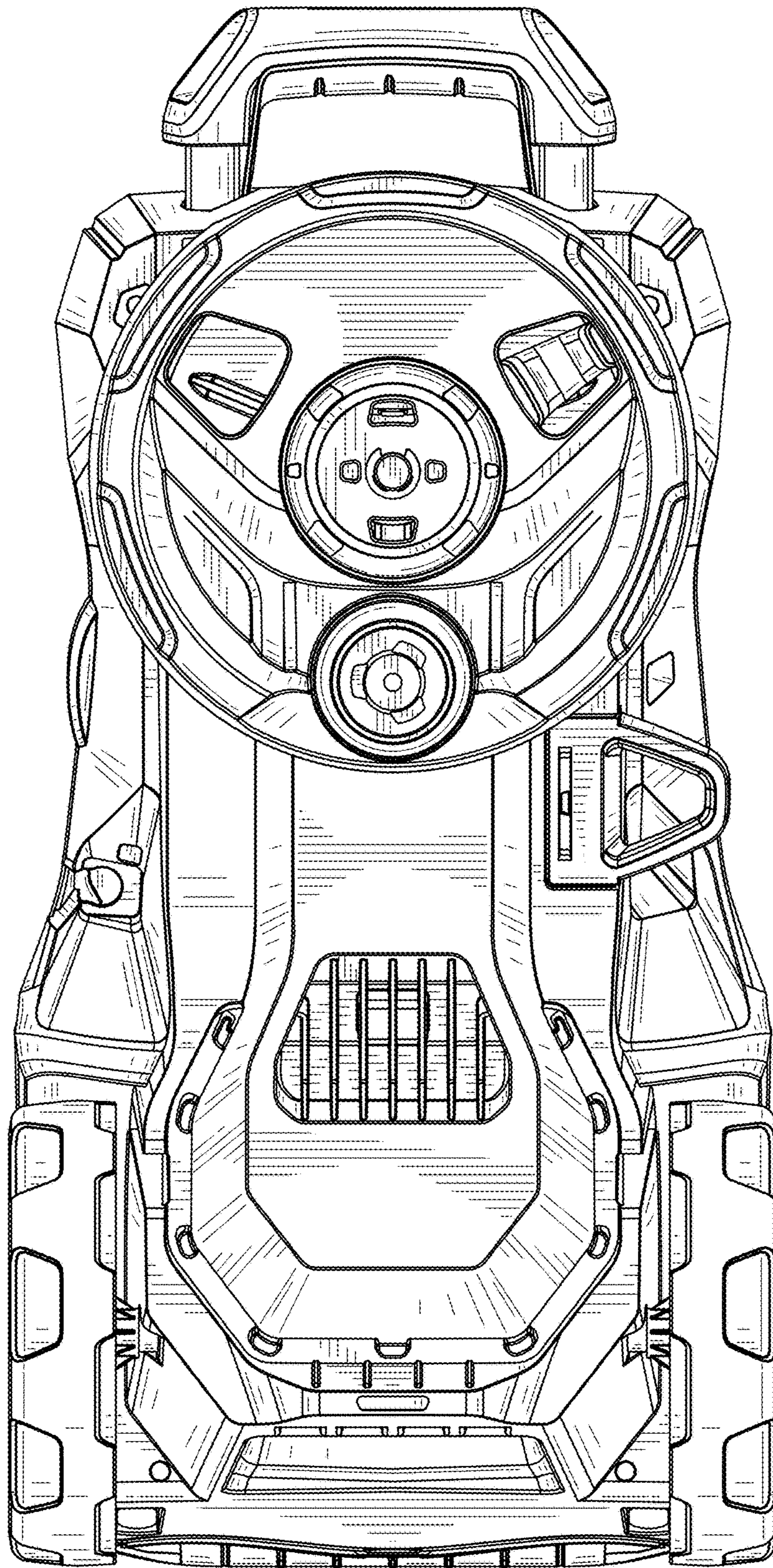


FIG. 5

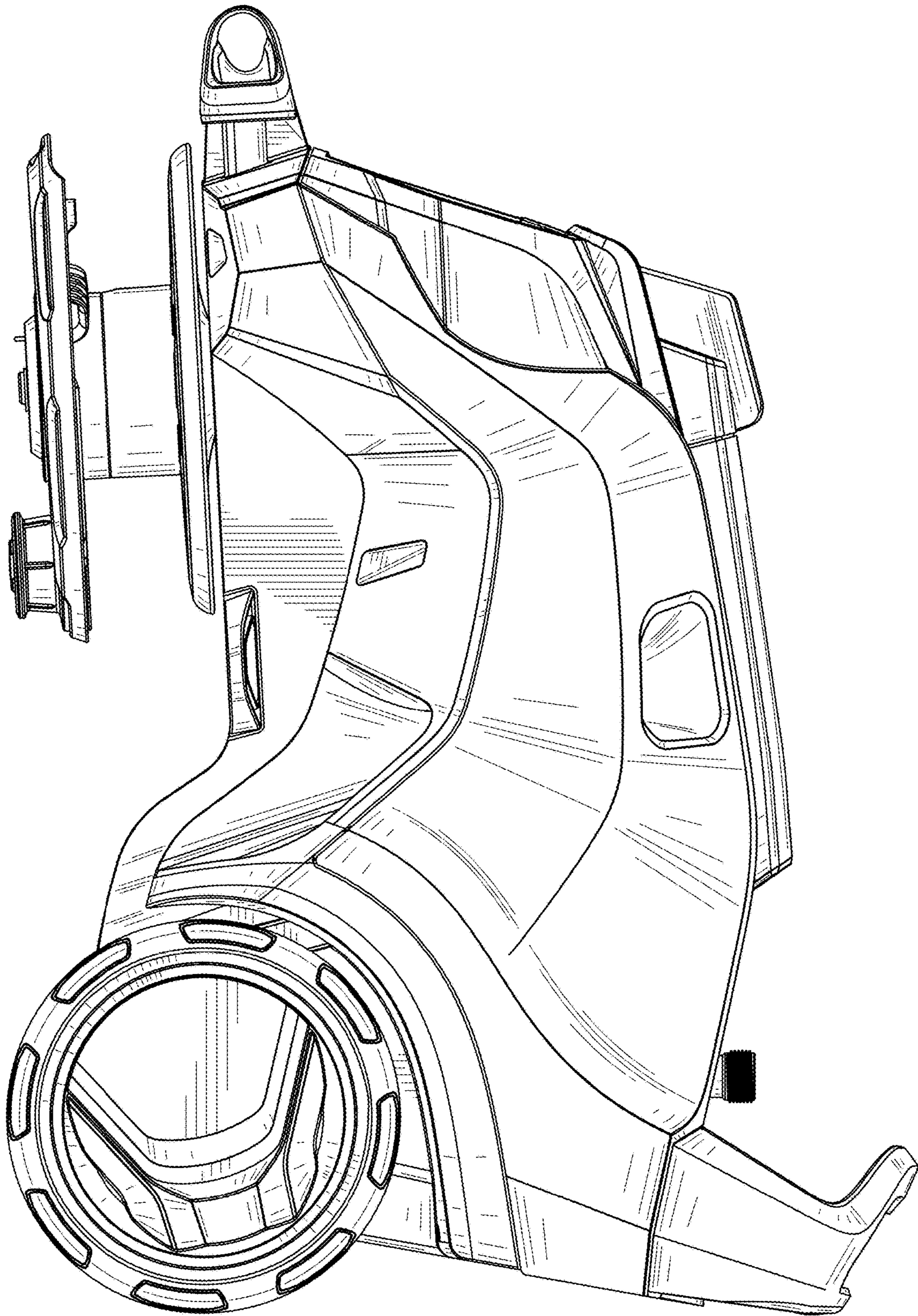


FIG. 6

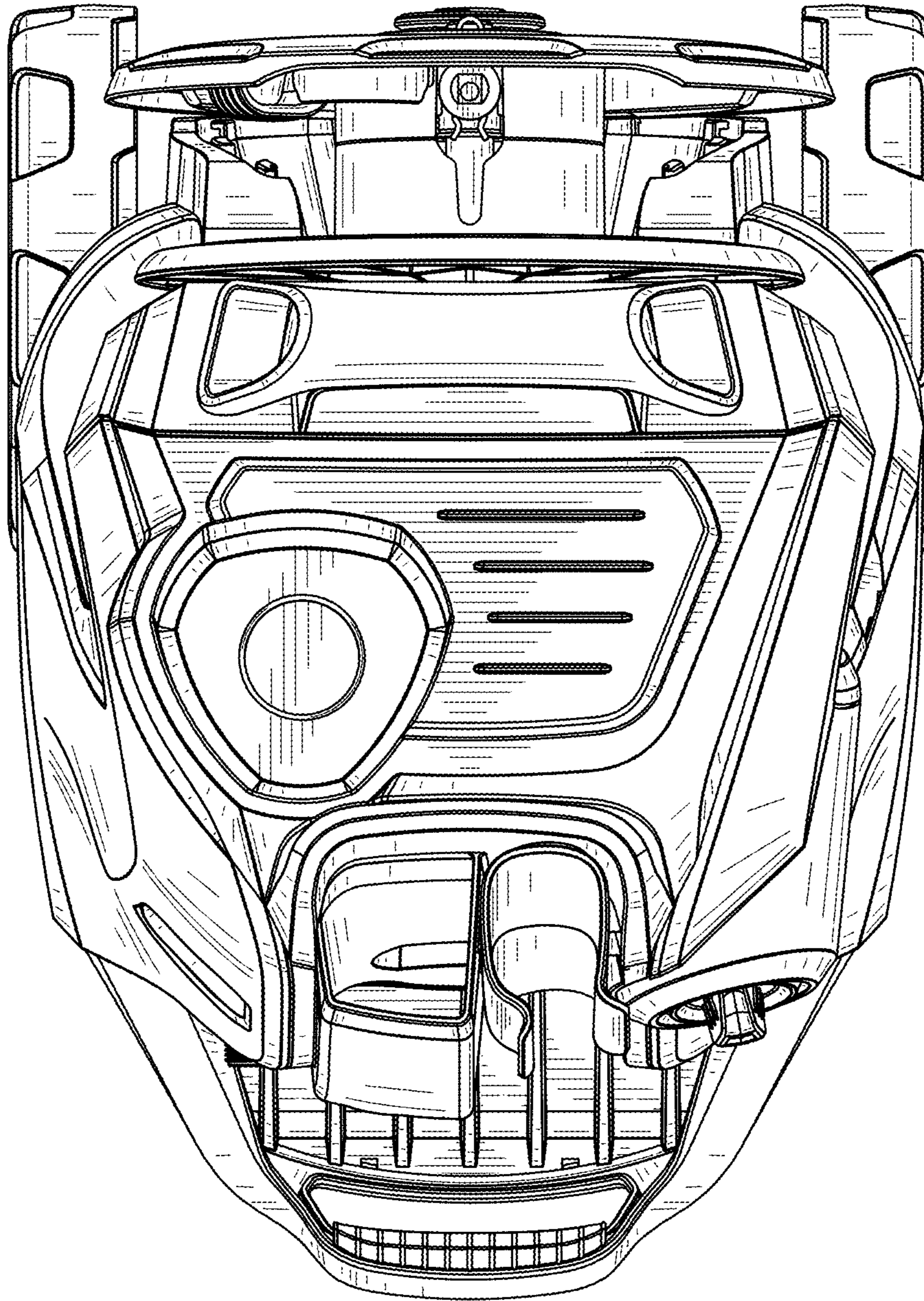


FIG. 7