



US00D781504S

(12) **United States Design Patent**
Pizzuti

(10) **Patent No.:** **US D781,504 S**

(45) **Date of Patent:** **** Mar. 14, 2017**

(54) **SPORTS HELMET WITH CRISS-CROSS SHAPED FACEMASK**

(71) Applicant: **John Pizzuti**, Birmingham, MI (US)

(72) Inventor: **John Pizzuti**, Birmingham, MI (US)

(**) Term: **14 Years**

(21) Appl. No.: **29/526,375**

(22) Filed: **May 8, 2015**

(51) **LOC (10) Cl.** **29-02**

(52) **U.S. Cl.**
USPC **D29/111**

(58) **Field of Classification Search**
USPC D29/102-111, 122; D2/865, 866, 878,
D2/891, 892; D5/1, 53, 58
CPC A42B 3/00; A42B 3/18; A42B 3/20; A42B
3/32; A42B 3/324; A42B 3/322; A42B
3/04
See application file for complete search history.

(56) **References Cited**

U.S. PATENT DOCUMENTS

2,346,318	A *	4/1944	Marx	C14B 1/00 12/142 V
D307,197	S	4/1990	Bandy		
4,999,855	A *	3/1991	Brown	A42B 3/0473 2/421
4,999,856	A	3/1991	DuVall		
5,249,347	A *	10/1993	Martinitz	A42B 3/20 2/424
5,479,658	A	1/1996	Harris		
5,806,088	A *	9/1998	Zide	A42B 3/20 2/424
6,338,165	B1 *	1/2002	Biondich	A42B 3/20 2/424
D480,839	S	10/2003	Hicks, Jr.		

7,120,941	B2	10/2006	Glaser		
D559,552	S *	1/2008	Orgna	D5/53
D570,550	S	6/2008	Broersma		
D574,157	S *	8/2008	Batchelor	D5/1
8,695,122	B2 *	4/2014	DeBoer	A42B 3/20 2/424
8,719,968	B2 *	5/2014	DeBoer	A42B 3/20 2/424

FOREIGN PATENT DOCUMENTS

CA	2145720	A1	9/1996
CA	2184216		1/1997
CA	2359919	A1	4/2003

* cited by examiner

Primary Examiner — Robert Delehanty

(74) *Attorney, Agent, or Firm* — Brooks Kushman P.C.

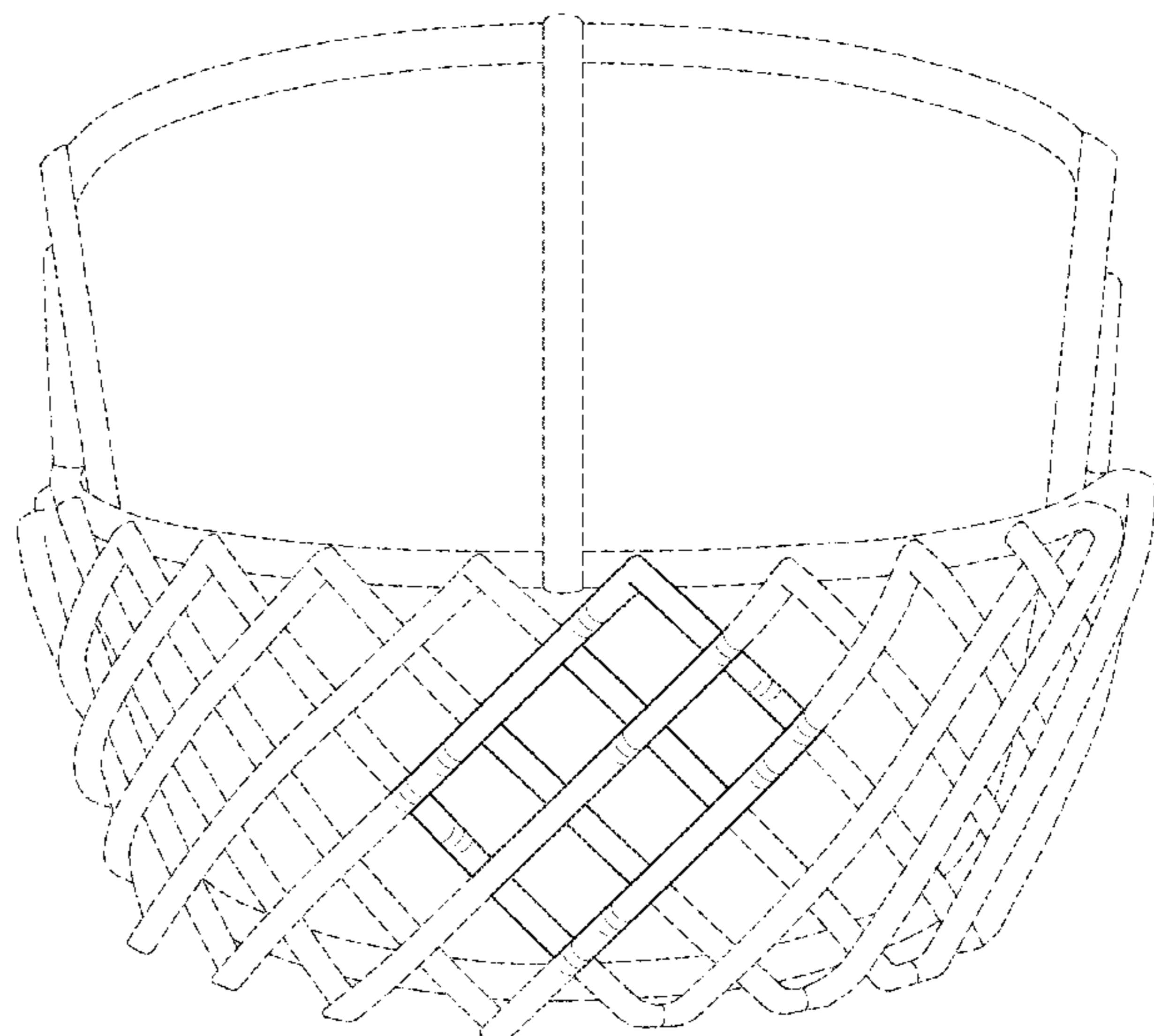
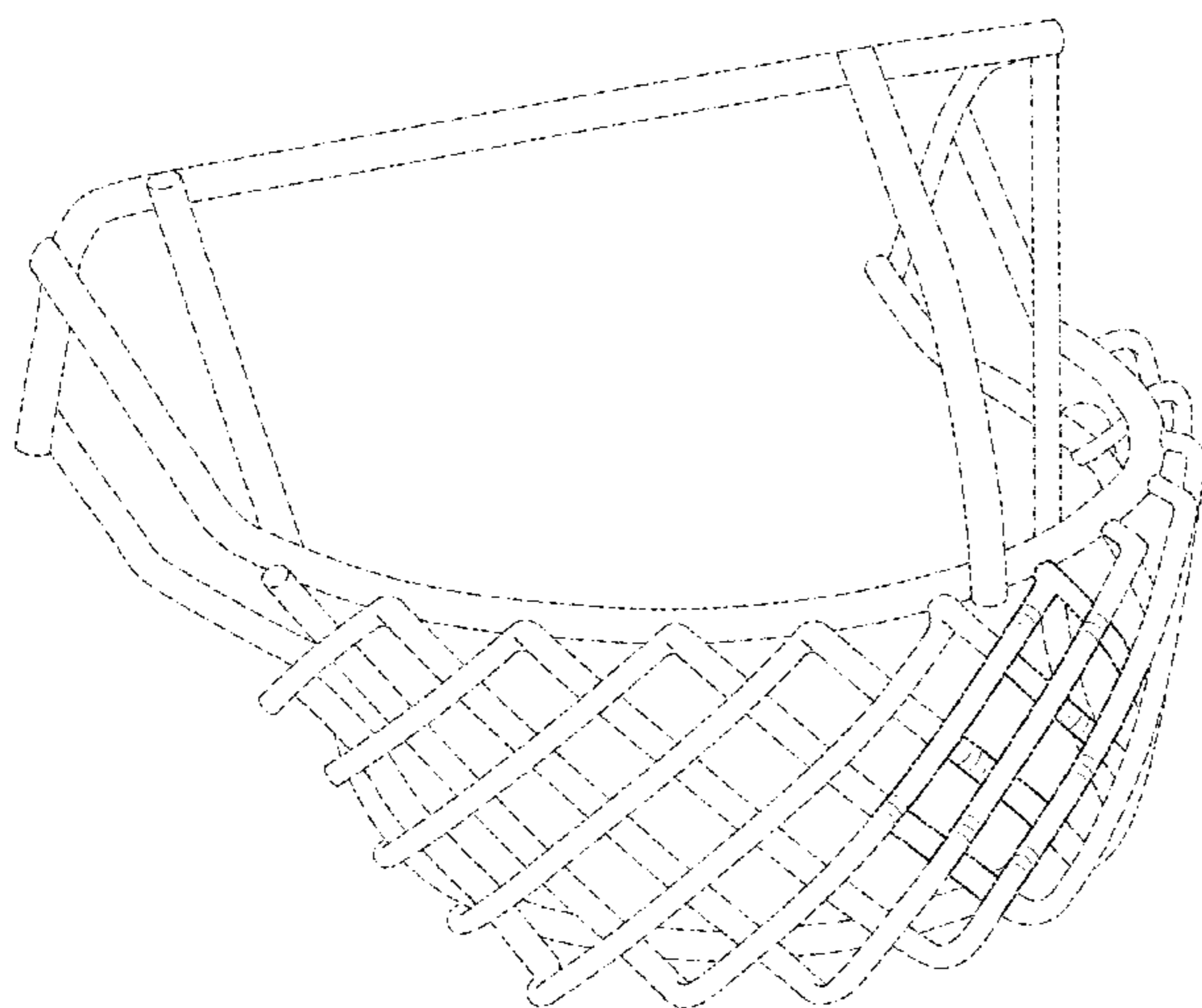
(57) **CLAIM**

The ornamental design for a sports helmet with criss-crossed shaped facemask, as shown and described.

DESCRIPTION

FIG. 1 is a front perspective view of the sports helmet with criss-crossed shaped facemask showing my new design; FIG. 2 is a front view thereof; FIG. 3 is a right side view thereof; FIG. 4 is a left side view thereof; and, FIG. 5 is a top view thereof. The broken lines shown in the drawings represent portions of the sports helmet with criss-crossed shaped facemask that form no part of the claimed design. Broken lines at the ends of solid lines represent the boundary of the claimed design. All surfaces not shown form no part of the claimed design.

1 Claim, 5 Drawing Sheets



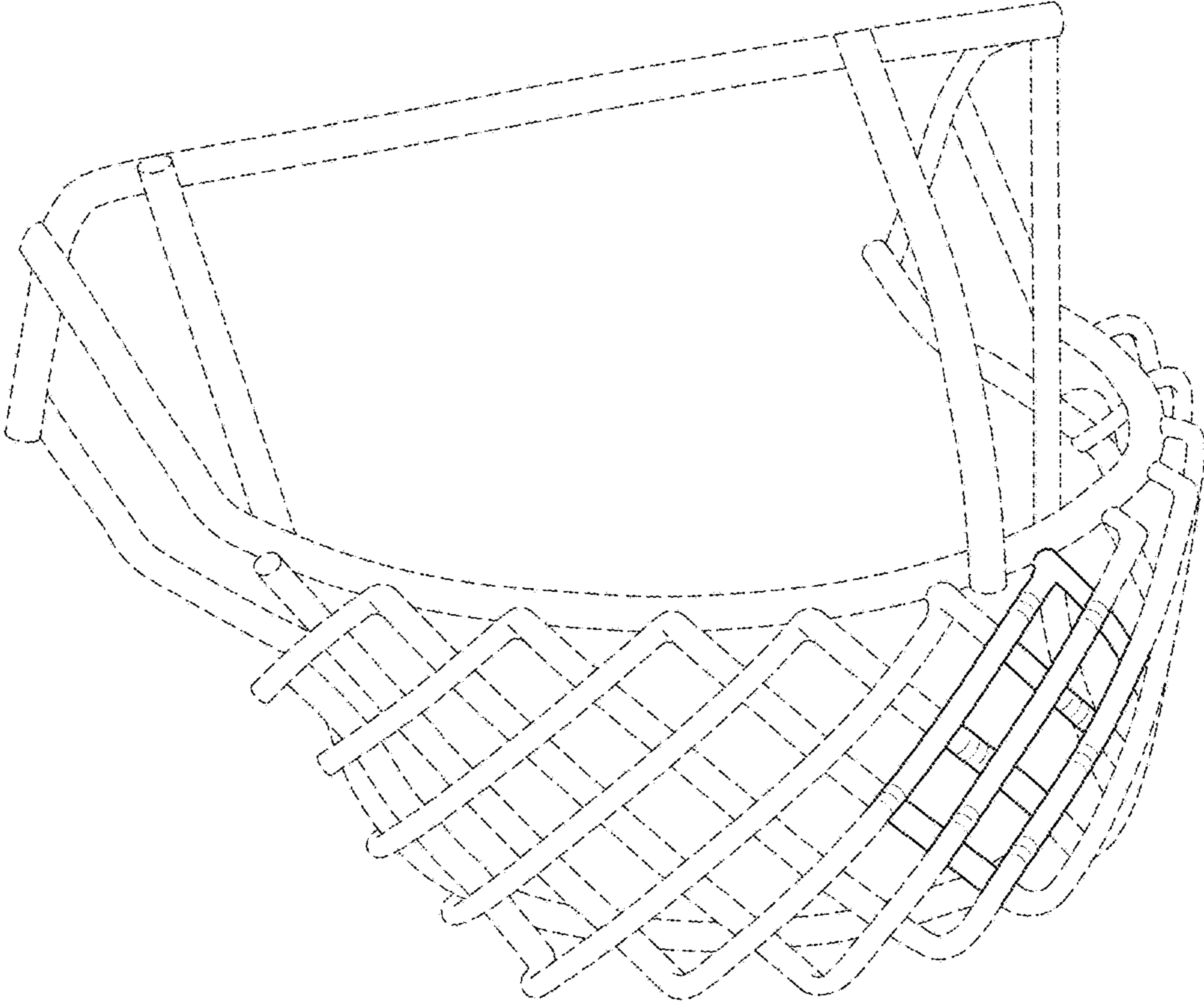


Fig-1

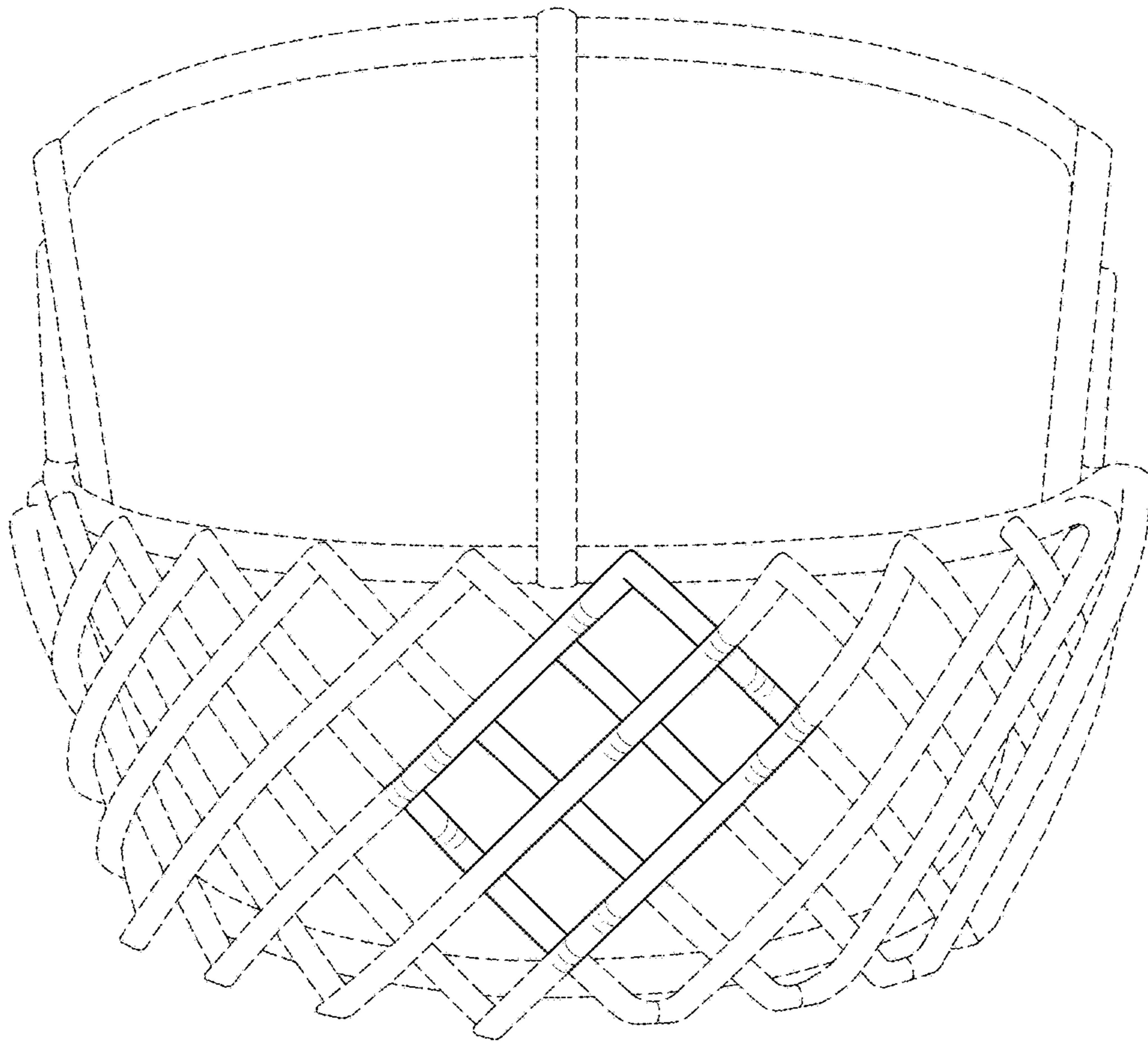


Fig-2

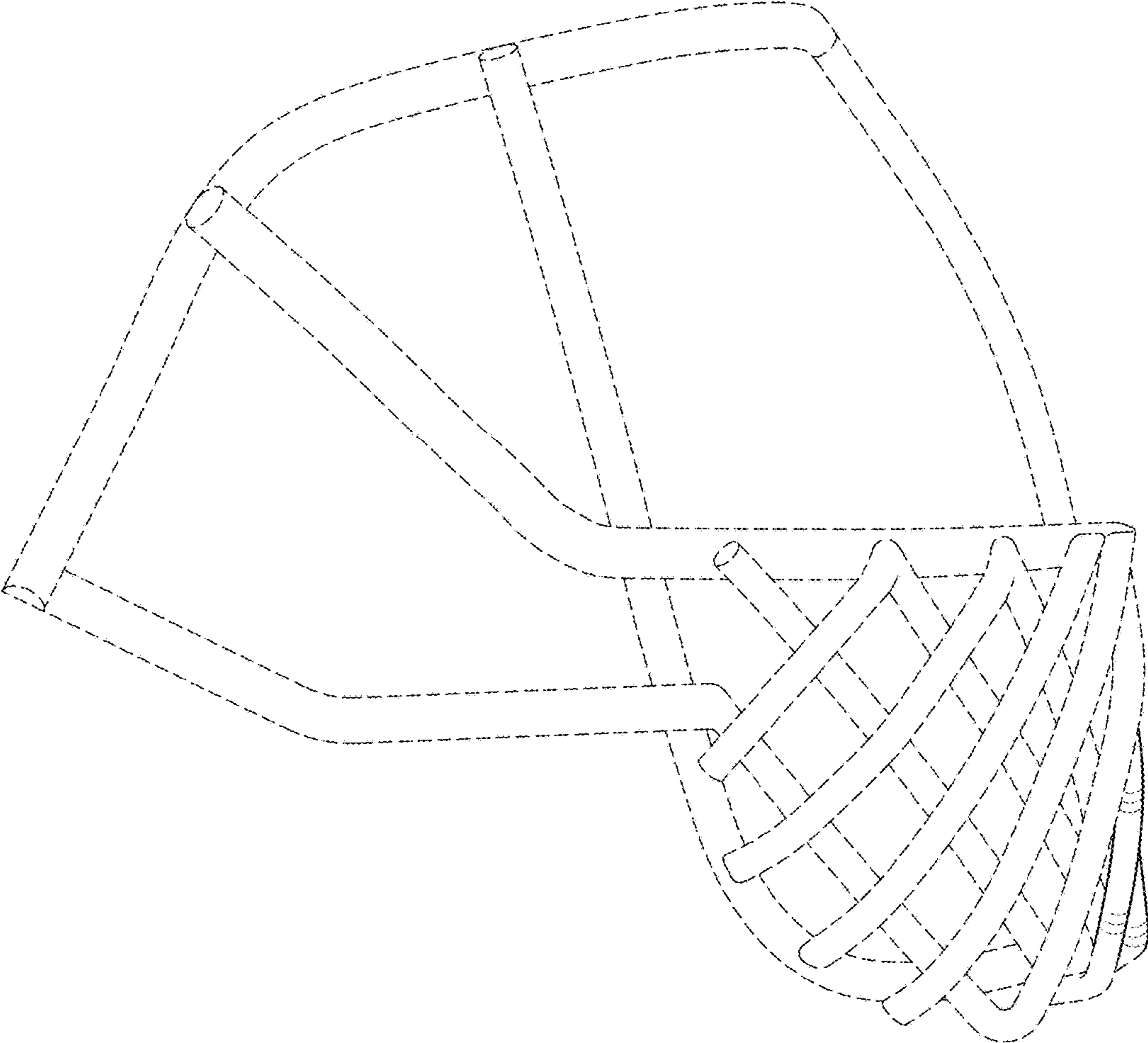


Fig-3

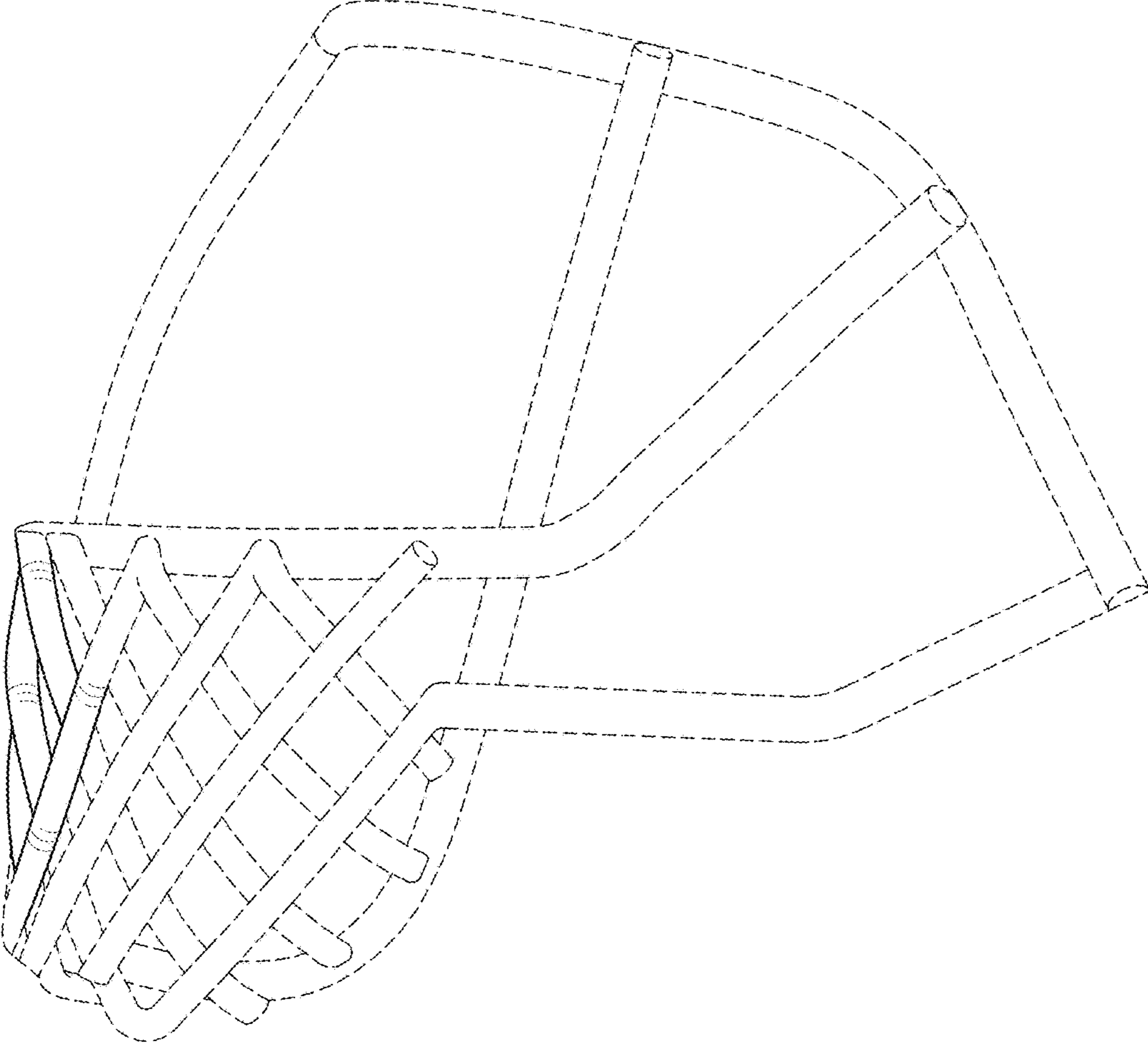


Fig-4

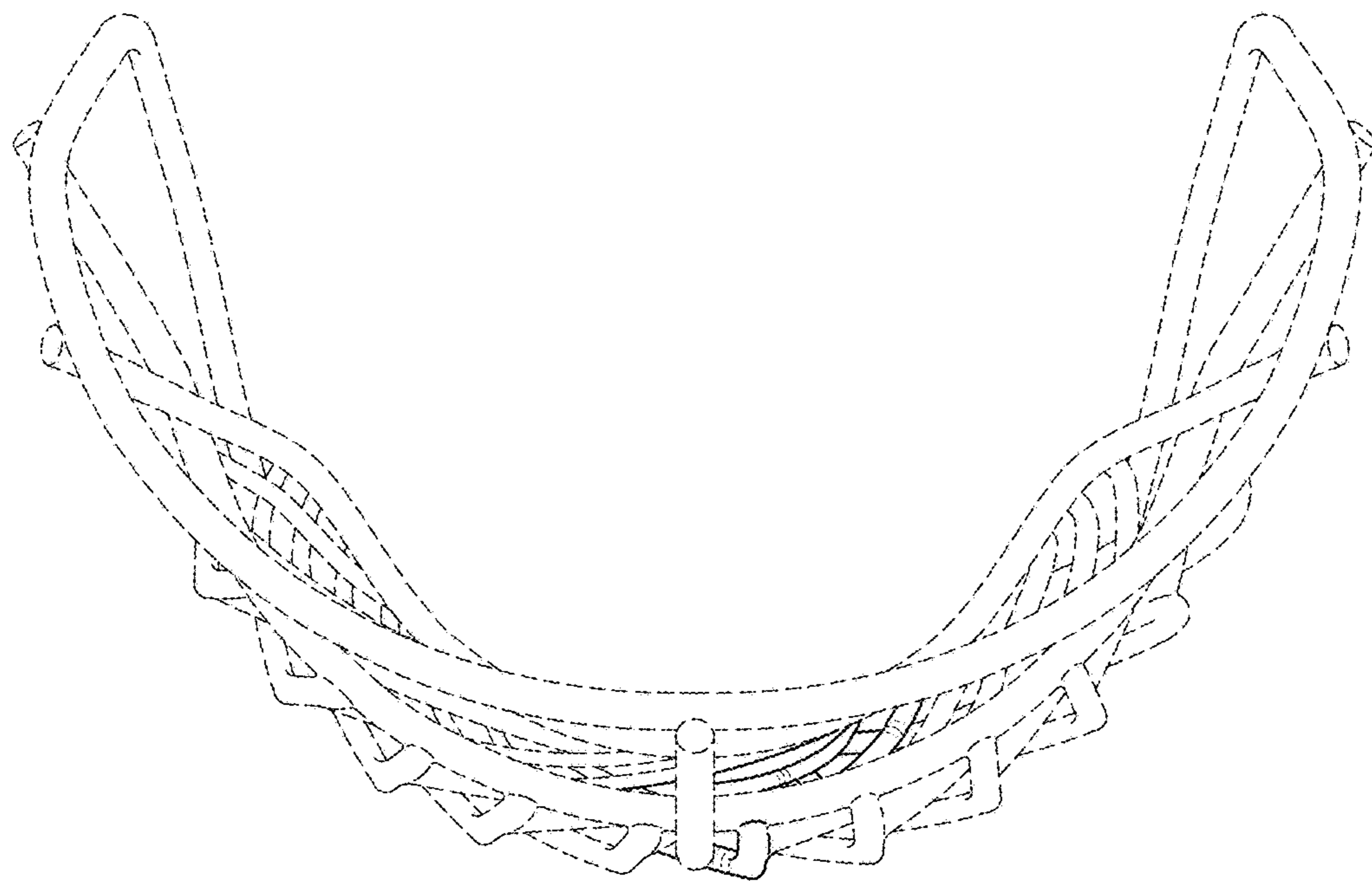


Fig-5