



US00D781497S

(12) **United States Design Patent**
Butler et al.

(10) **Patent No.:** **US D781,497 S**

(45) **Date of Patent:** **** Mar. 14, 2017**

(54) **NAIL CARE INSTRUMENT WITHOUT LID**

(71) Applicant: **Reckitt Benckiser (Brands) Limited**,
Slough (GB)

(72) Inventors: **Martin Butler**, Kwun Tong (HK);
Fiona Jones, Slough (GB); **Darren Morgan**,
Slough (GB); **Maartje Pel**, Warwick (GB);
Victoria Perrin, Hull (GB); **Jackie Tsang**,
Tin Shui Wai (HK); **Simon Woolley**, York (GB)

(73) Assignee: **RECKITT BENCKISER (BRANDS) LIMITED**,
Berkshire (GB)

(**) Term: **15 Years**

(21) Appl. No.: **29/534,905**

(22) Filed: **Jul. 31, 2015**

(30) **Foreign Application Priority Data**

Mar. 5, 2015 (EM) 002646588-0002

(51) **LOC (10) Cl.** **28-03**

(52) **U.S. Cl.**
USPC **D28/58**; D28/59

(58) **Field of Classification Search**
USPC D28/56, 58, 59, 57; D24/146, 133
CPC A45D 29/18; A45D 29/02; A45D 29/05;
A45D 29/06; A45D 29/04; A45D
29/11-29/14; A45D 29/00; A61B 17/54
See application file for complete search history.

(56) **References Cited**

U.S. PATENT DOCUMENTS

4,103,694 A * 8/1978 Burian A45D 29/18
132/73.6
D369,658 S * 5/1996 Holt D24/133

5,759,093 A * 6/1998 Rodriguez A45D 29/05
132/73.6
5,762,077 A * 6/1998 Griffiths, Jr. A45D 29/007
132/318
5,864,746 A * 1/1999 Chang A45D 29/05
451/296
D405,232 S * 2/1999 Stevens D24/133
6,050,270 A * 4/2000 Tyshenko, Jr. A45D 29/14
132/73.6
D572,864 S * 7/2008 Rieser D28/59
8,161,983 B1 * 4/2012 Lee A45D 34/04
132/324

(Continued)

OTHER PUBLICATIONS

Amope Pedi Care, www.Amazon.com, Reviewed Aug. 2015, 1
page, downloaded Oct. 31, 2016.*

Primary Examiner — Jennifer Rivard

(74) *Attorney, Agent, or Firm* — Troutman Sanders LLP;
Ryan Schneider

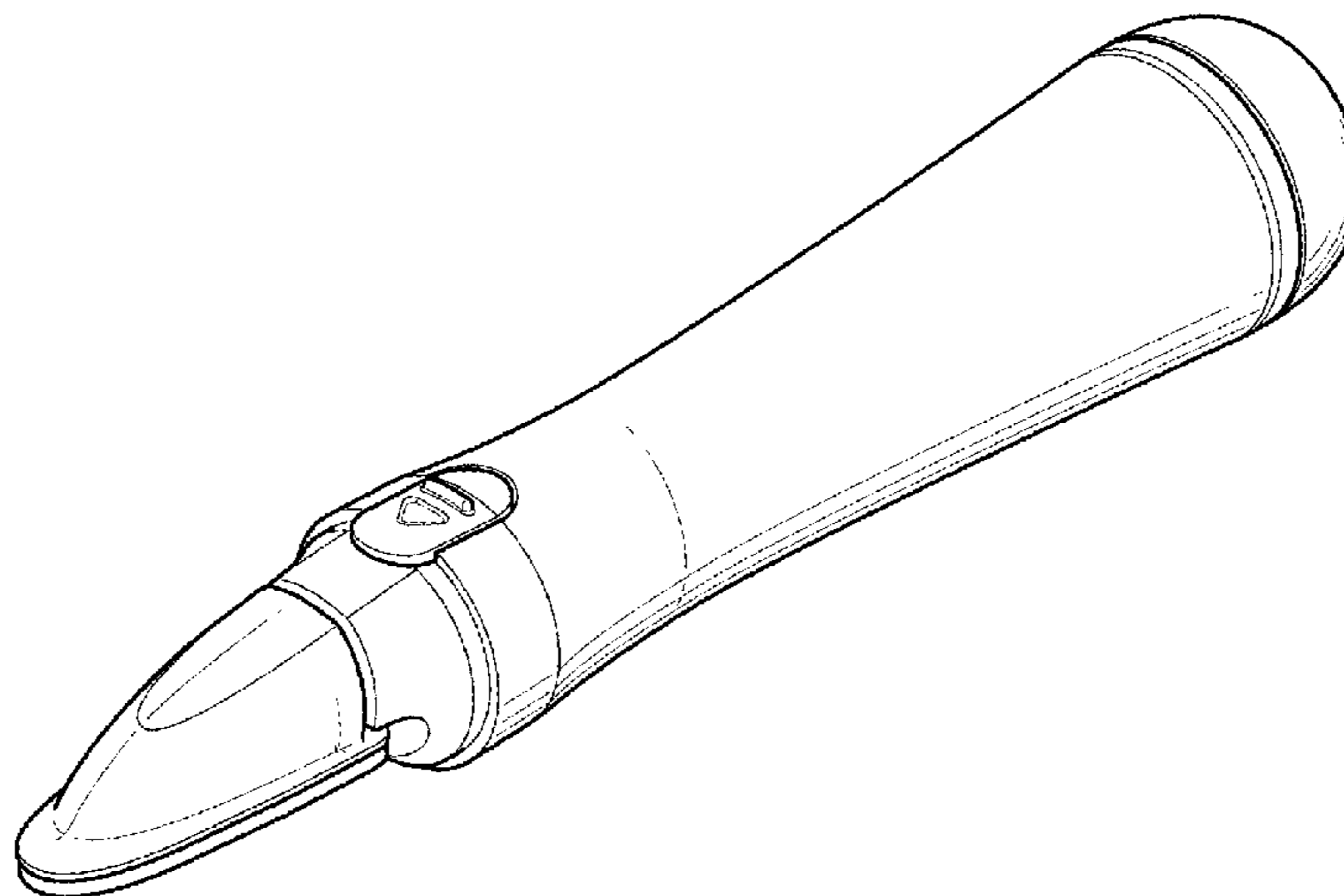
(57) **CLAIM**

The ornamental design for a nail care instrument without lid,
as shown and described.

DESCRIPTION

FIG. 1 is a perspective view of a nail care instrument without
lid of the present invention;
FIG. 2 is a bottom view of the nail care instrument of FIG.
1;
FIG. 3 is a top view of the nail care instrument of FIG. 1;
FIG. 4 is a side view of the nail care instrument of FIG. 1;
FIG. 5 is the other side view of the nail care instrument of
FIG. 1;
FIG. 6 is a front view of the nail care instrument of FIG. 1;
and,
FIG. 7 is a rear view of the nail care instrument of FIG. 1.

1 Claim, 7 Drawing Sheets



(56)

References Cited

U.S. PATENT DOCUMENTS

D736,999	S *	8/2015	Yiu	D28/58
D751,762	S *	3/2016	Hollinger	D28/58
D756,034	S *	5/2016	Yiu	D28/44
D766,508	S *	9/2016	Wang	D24/133
D768,931	S *	10/2016	Langberg	D28/58
D769,529	S *	10/2016	Langberg	D28/58
2003/0102002	A1 *	6/2003	Cho	A45D 29/05 132/73.6
2006/0137703	A1 *	6/2006	Kling	A45D 29/05 132/73.6
2006/0272664	A1 *	12/2006	O'Dwyer	A45D 29/007 132/73.6
2010/0083975	A1 *	4/2010	Nguyen	A45D 29/05 132/200
2011/0226268	A1 *	9/2011	Filonczuk	A45D 29/05 132/73.6
2011/0226269	A1 *	9/2011	Routhier	A45D 29/05 132/73.6
2011/0226270	A1 *	9/2011	Rivera	A45D 29/05 132/73.6
2013/0092182	A1 *	4/2013	Stockbauer	A45D 29/05 132/75.8
2015/0150352	A1 *	6/2015	Yiu	A45D 29/05 132/75.8
2015/0173484	A1 *	6/2015	Fitzsimons	A45D 29/05 132/200
2016/0029768	A1 *	2/2016	Dai	A45D 29/05 30/27

* cited by examiner

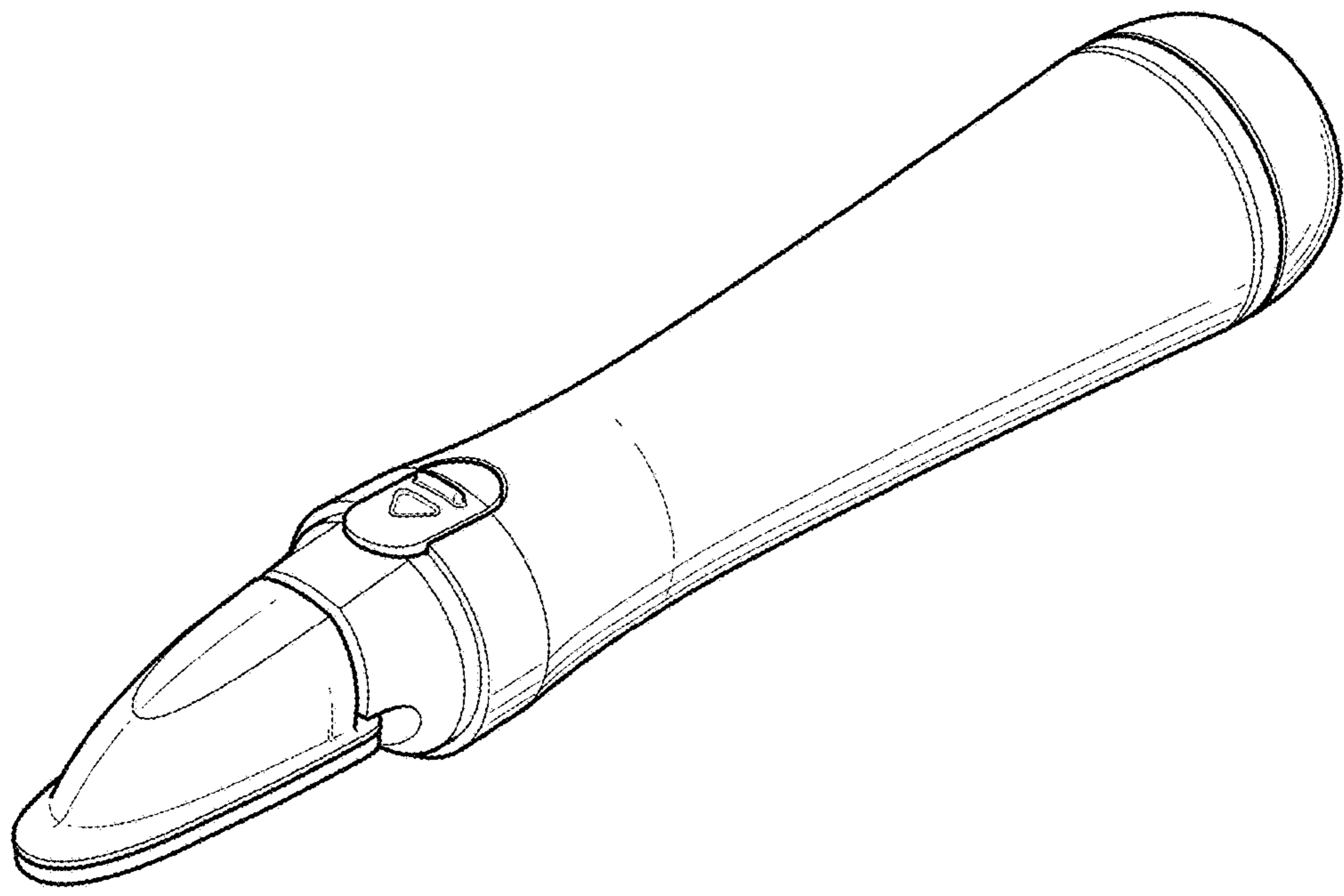


Fig. 1

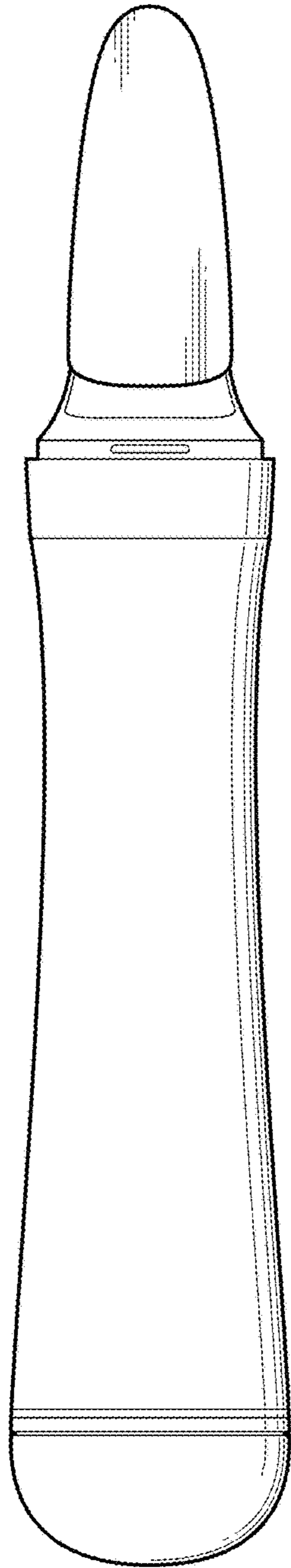


Fig. 2

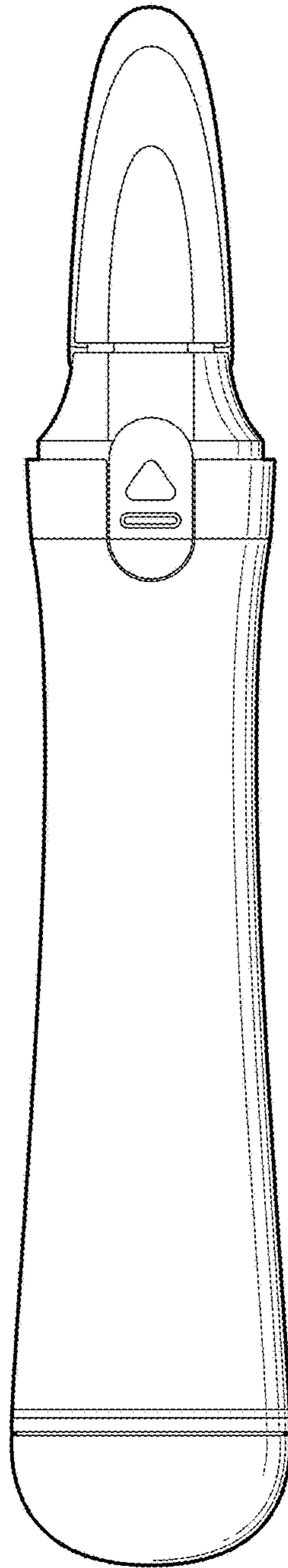


Fig. 3

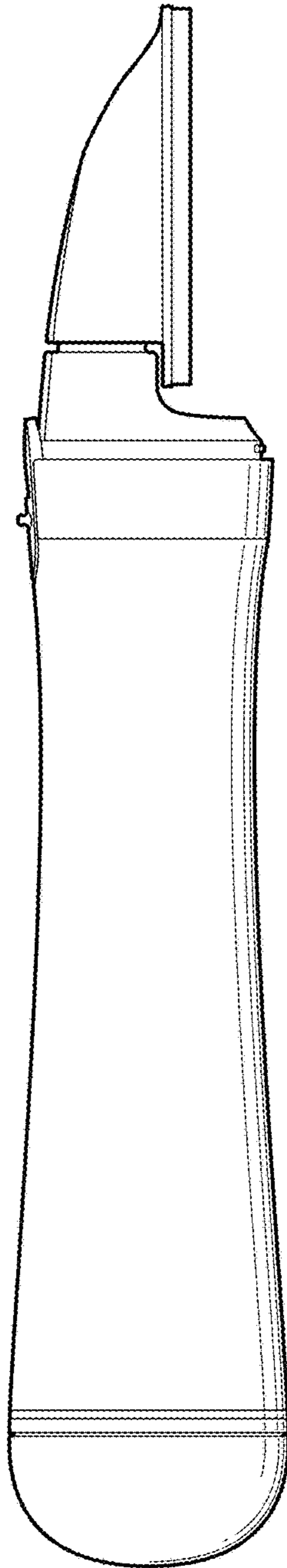


Fig. 4

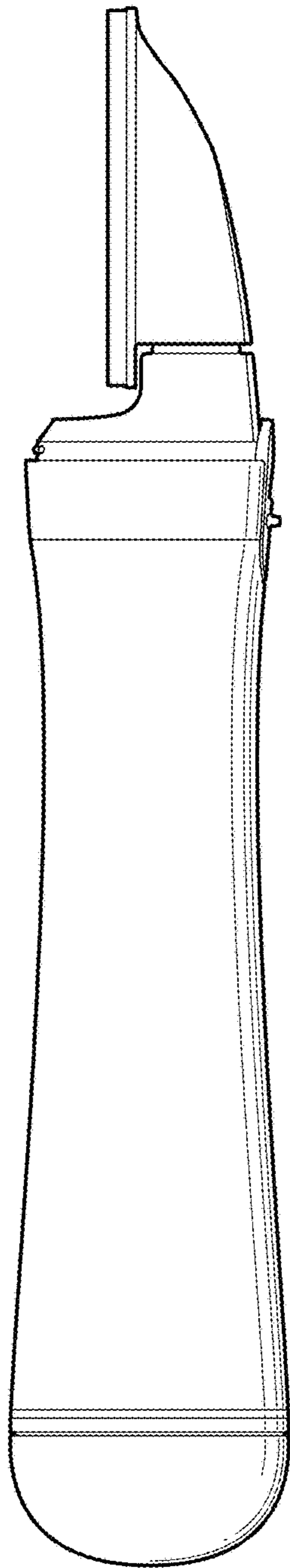


Fig. 5

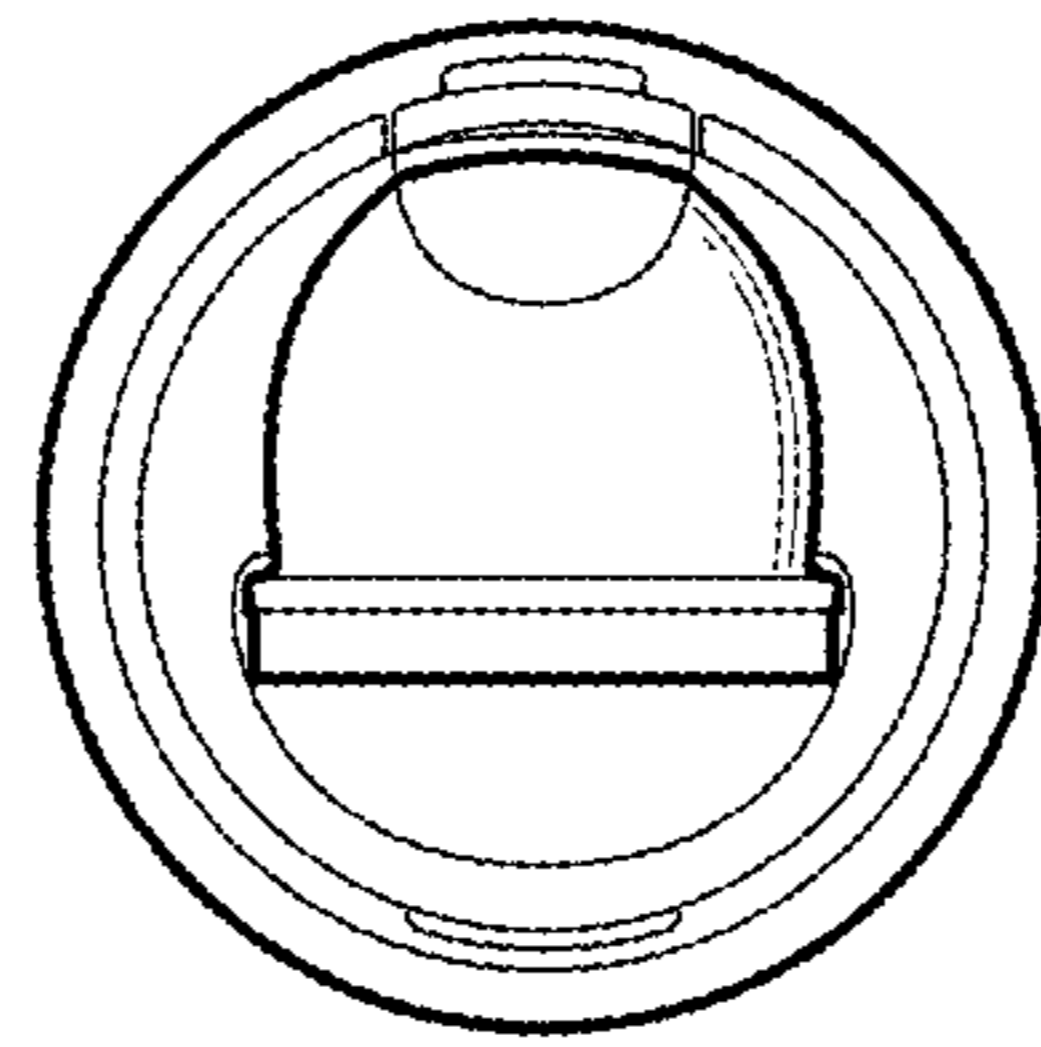


Fig. 6

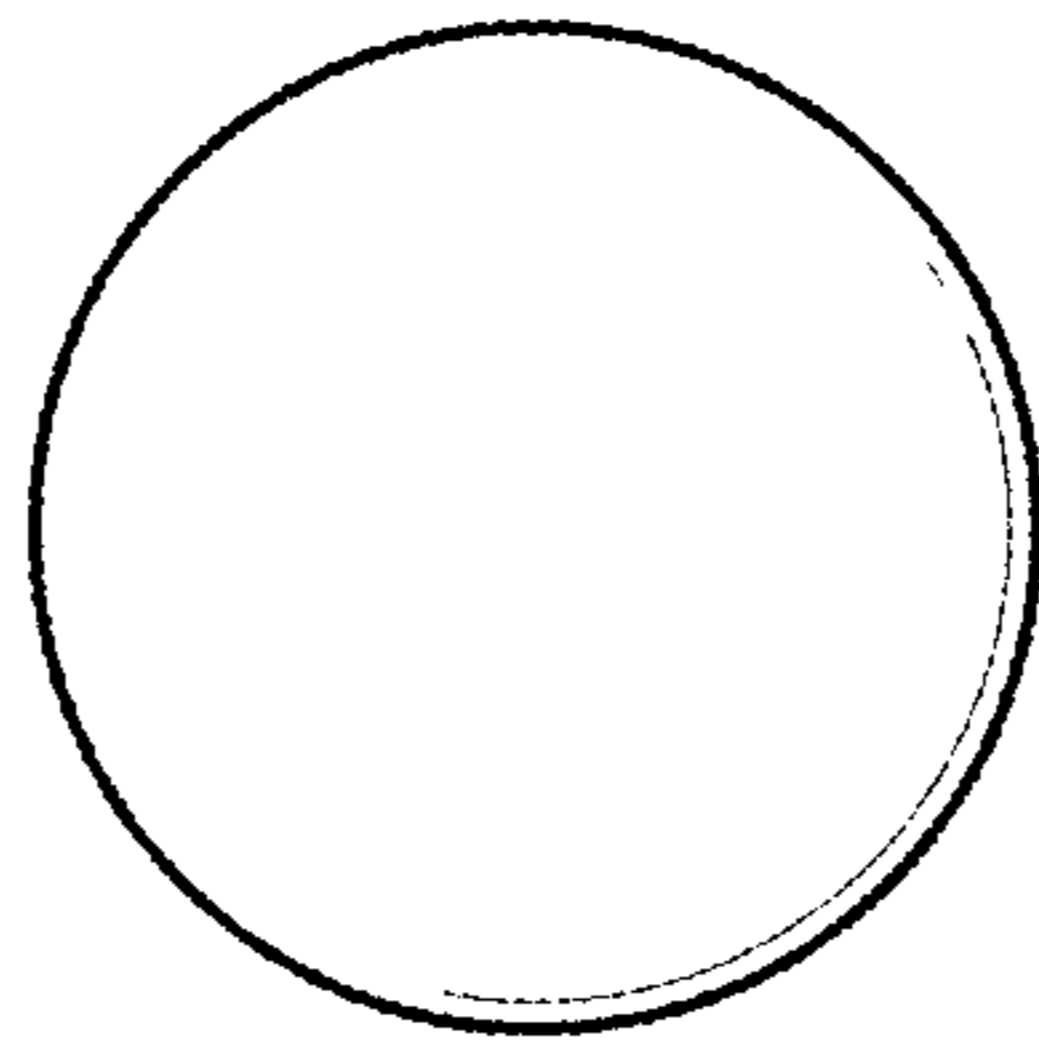


Fig. 7