



US00D781495S

(12) **United States Design Patent** (10) **Patent No.:** **US D781,495 S**
Rood (45) **Date of Patent:** **** Mar. 14, 2017**

(54) **ADORNED SOLAR LIGHT STAND**
 (71) Applicant: **John Daniel Rood**, Fountain Hills, AZ
 (US)
 (72) Inventor: **John Daniel Rood**, Fountain Hills, AZ
 (US)

D707,380 S * 6/2014 Sooferian D26/68
 D716,988 S * 11/2014 Sooferian D26/68
 D716,989 S * 11/2014 Sooferian D26/68
 D720,879 S * 1/2015 Blum D26/142
 D756,015 S * 5/2016 Sooferian D26/68
 D757,980 S * 5/2016 Sooferian D26/68
 D758,633 S * 6/2016 Sooferian D26/68
 2014/0293591 A1* 10/2014 Kim F21V 21/32
 362/183

(**) Term: **14 Years**

* cited by examiner

(21) Appl. No.: **29/524,446**

Primary Examiner — Rosemary K Tarcza

(22) Filed: **Apr. 20, 2015**

Assistant Examiner — Sanjeev Paul

(51) **LOC (10) Cl.** **26-99**

(74) *Attorney, Agent, or Firm* — Von Hellens & Bycer

(52) **U.S. Cl.**

Law; Matthew L. Bycer

USPC **D26/142**

(58) **Field of Classification Search**

(57) **CLAIM**

USPC D26/2, 28, 72, 89, 113, 118, 119, 120,
D26/122, 124, 128, 138, 142, 143, 145,
D26/60, 67, 68; D13/180

I claim the ornamental design for adorned solar light stand,
as shown and described.

CPC F41C 27/00; F41C 33/0254; G02B 5/045;
G02B 5/189; F21S 8/00; F21S 8/03;
F21S 8/026; F21S 8/02; F21S 8/003;
F21S 8/043; F21S 8/06; F21S 8/04; F21V
7/005; F21V 15/01; F21V 15/04; F21V
25/00; G02F 2001/133607; F21Y 2103/00

DESCRIPTION

See application file for complete search history.

FIG. 1 is a perspective view of an adorned solar light stand
showing my new design with a light feature shown in broken
lines;
FIG. 2 is a front view thereof;
FIG. 3 is a hack view of the design;
FIG. 4 is a right side view of the design;
FIG. 5 is a left side view of the design;
FIG. 6 is a top side view of the design; and,
FIG. 7 is a bottom view of the design.

(56) **References Cited**

The broken lines shown in the drawings represent portions
of the adorned solar light stand that form no part of the
claimed design.

U.S. PATENT DOCUMENTS

D291,604 S * 8/1987 Watson D26/107
 D616,135 S * 5/2010 Chen D26/68
 D618,387 S * 6/2010 Noui D26/142
 D630,363 S * 1/2011 Sooferian D26/68
 D694,449 S * 11/2013 Walker D26/63
 D703,839 S * 4/2014 Erickson D25/126

1 Claim, 7 Drawing Sheets

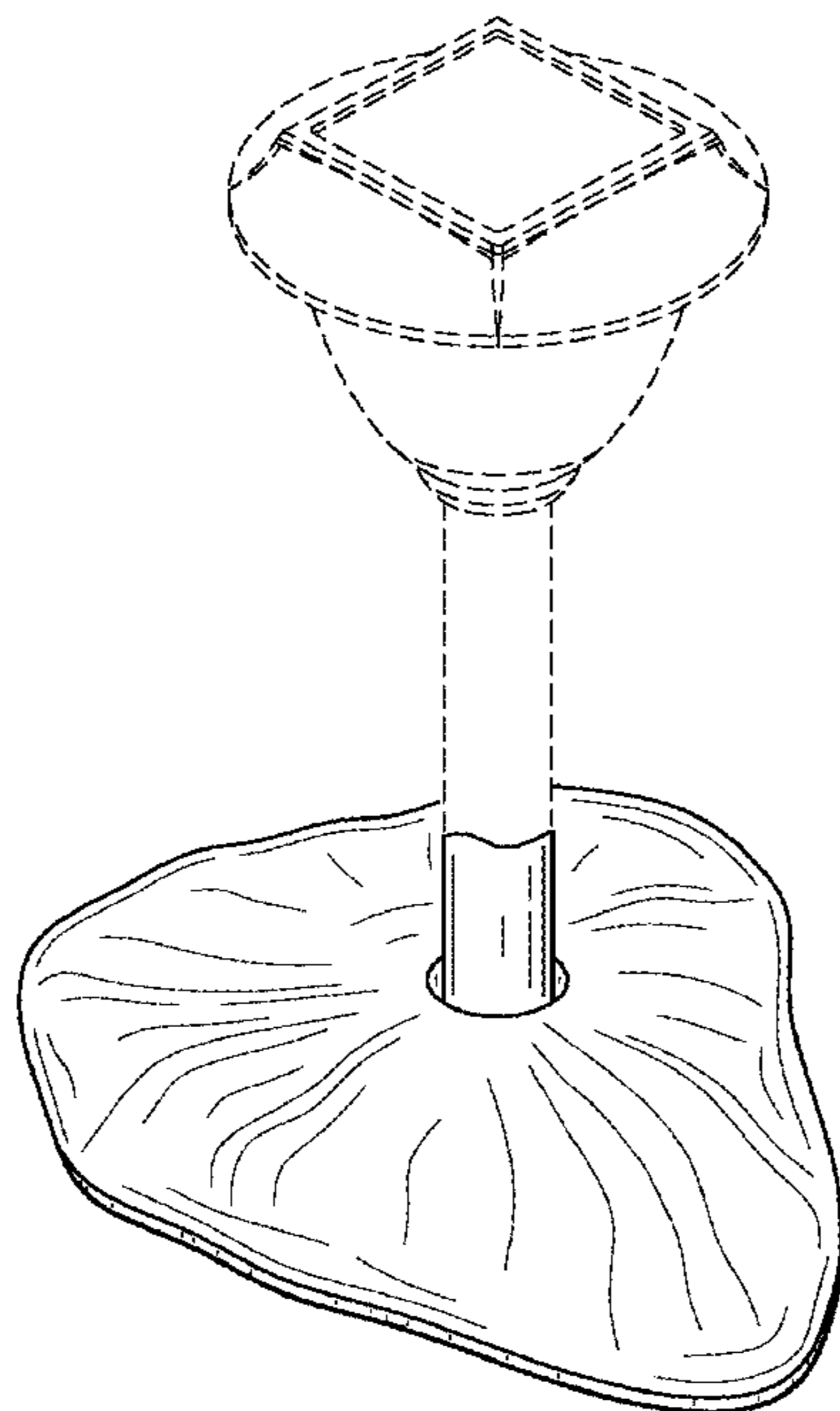


FIG. 1

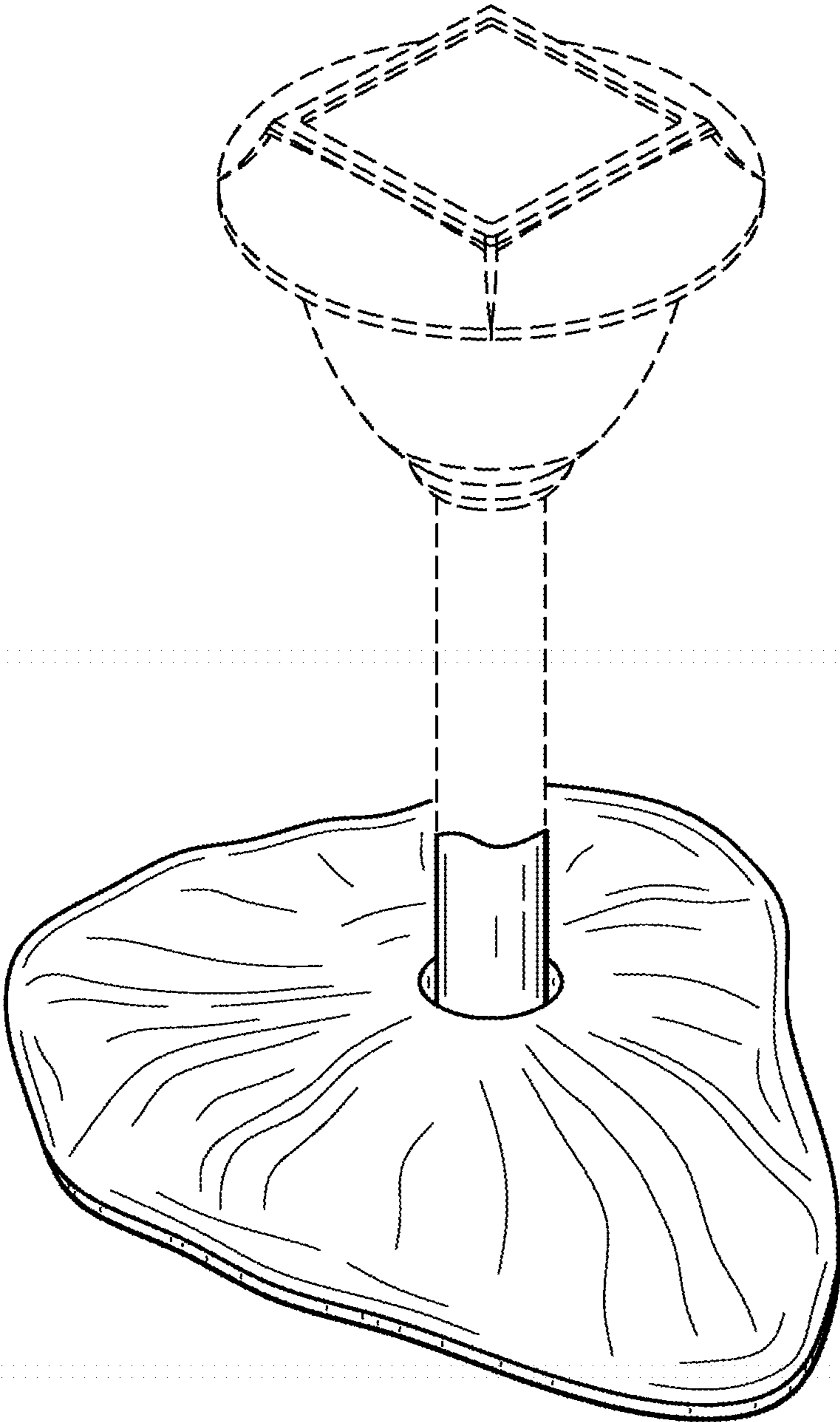


FIG. 2

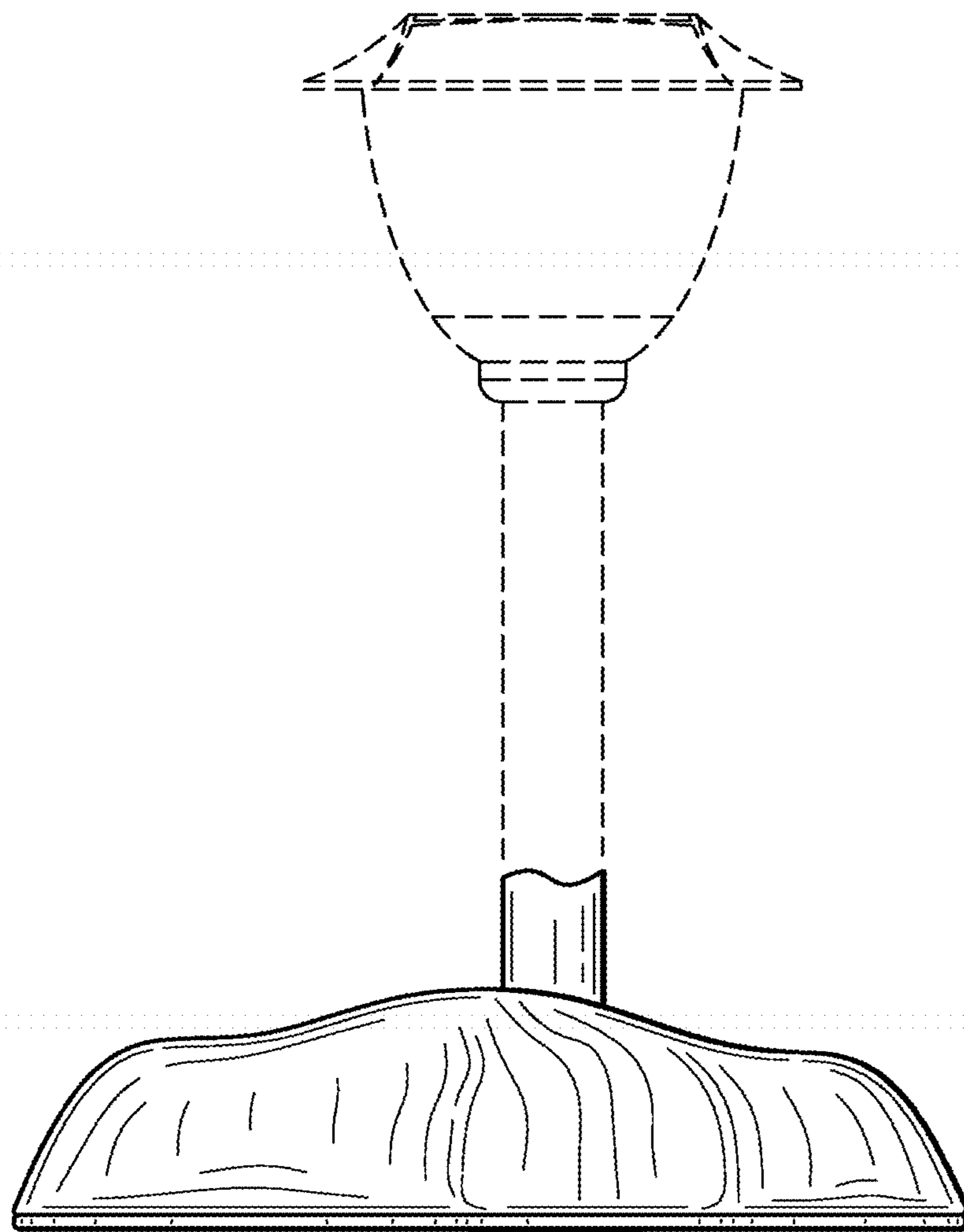


FIG. 3

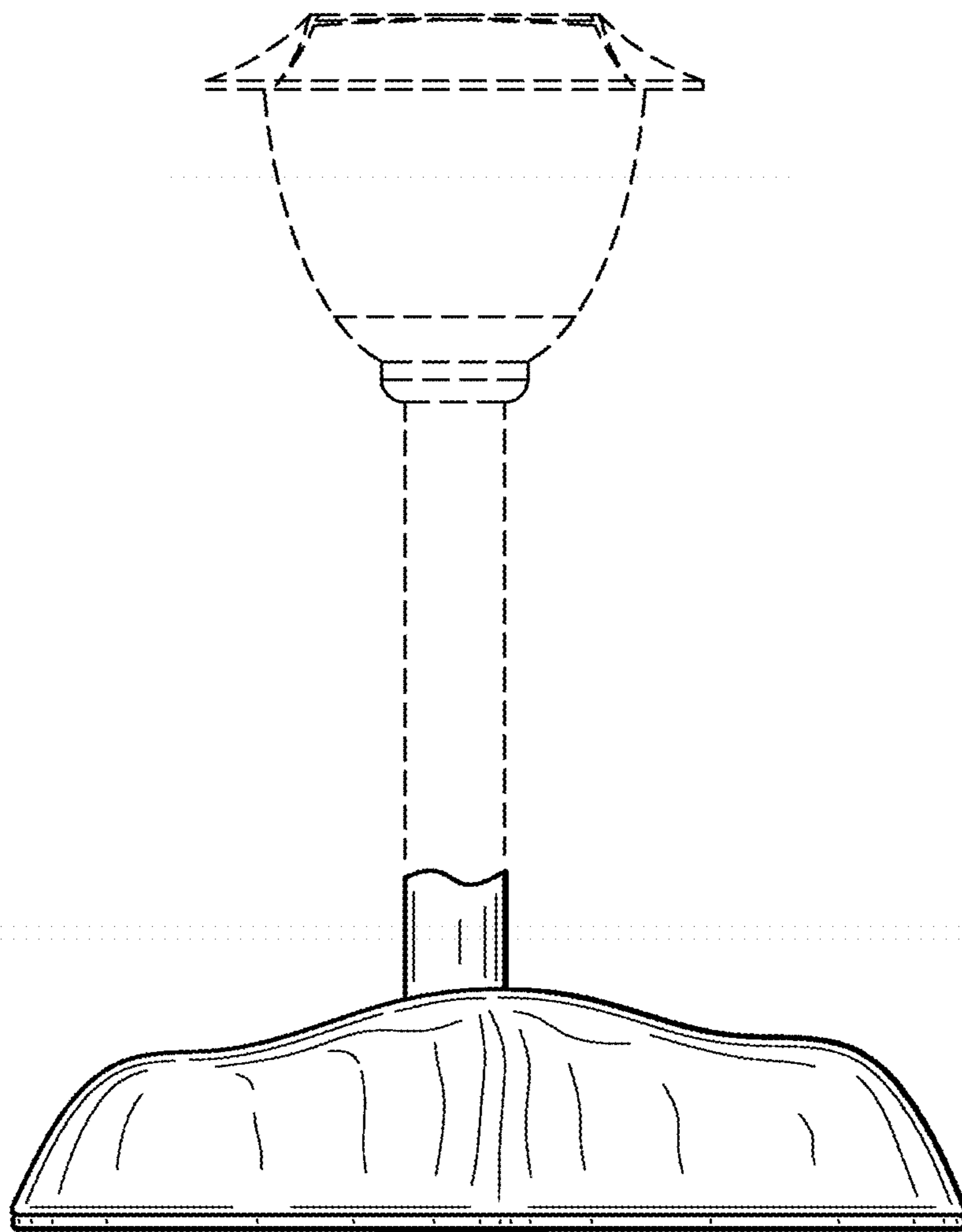


FIG. 4

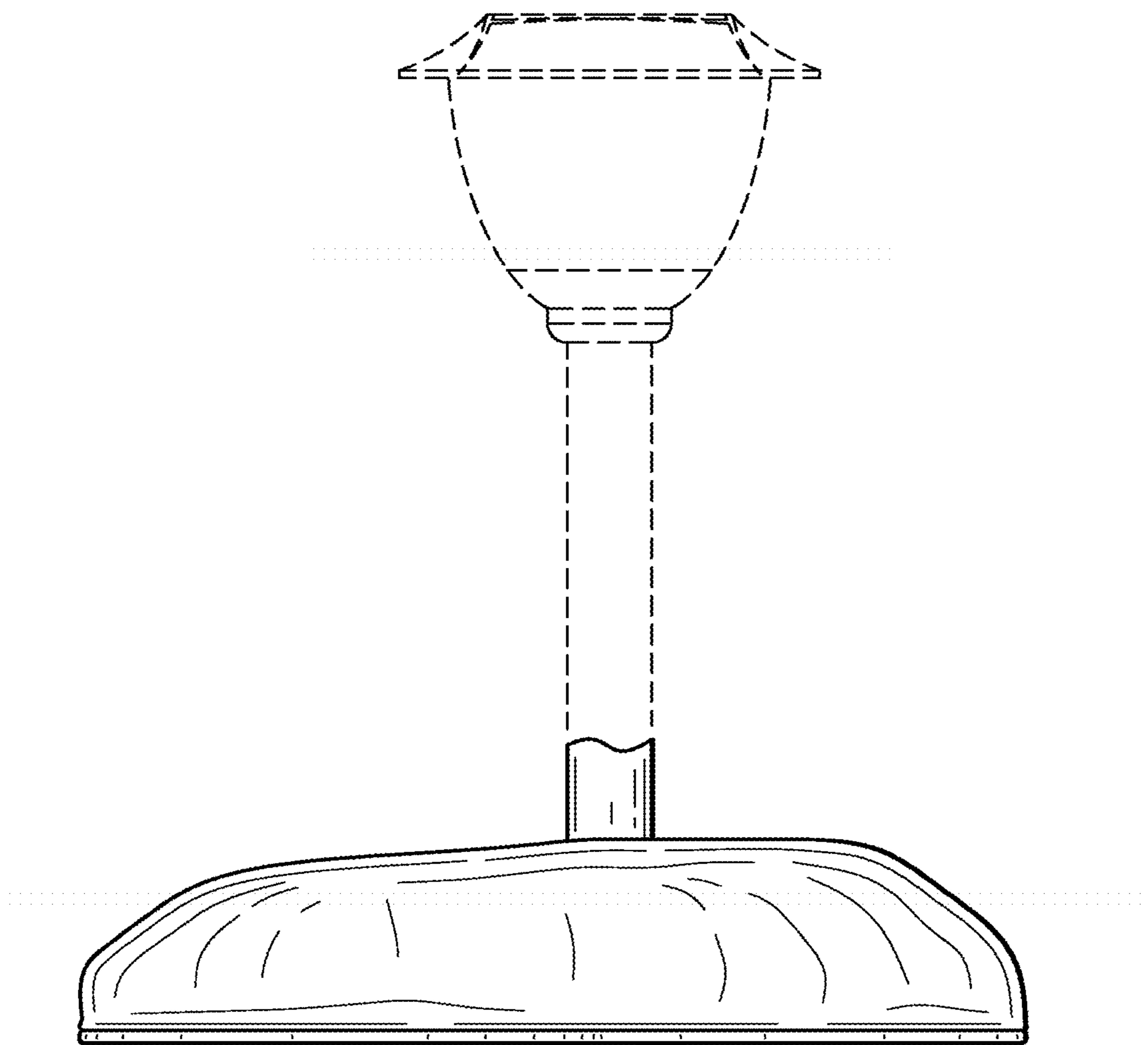


FIG. 5

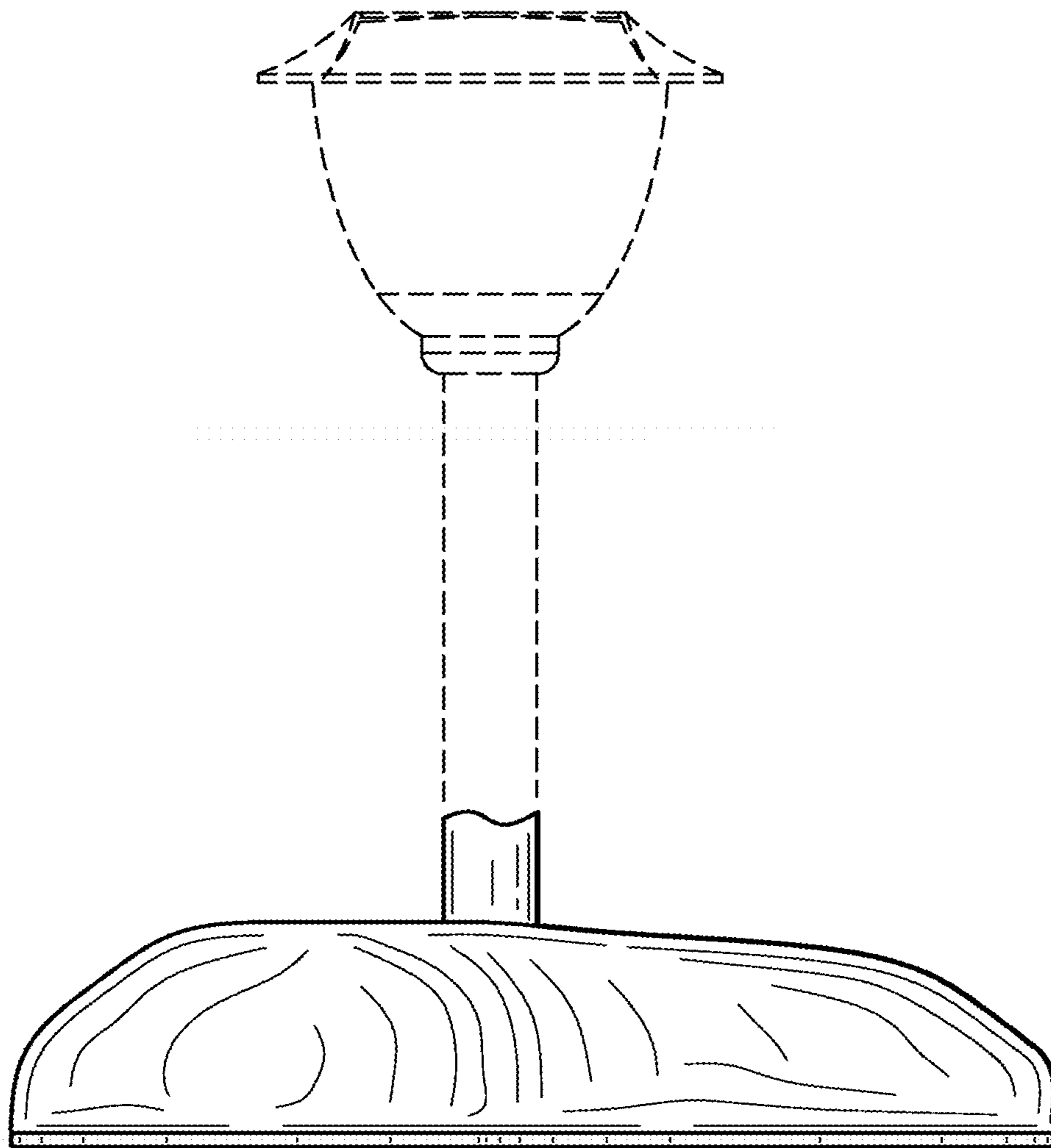


FIG. 6

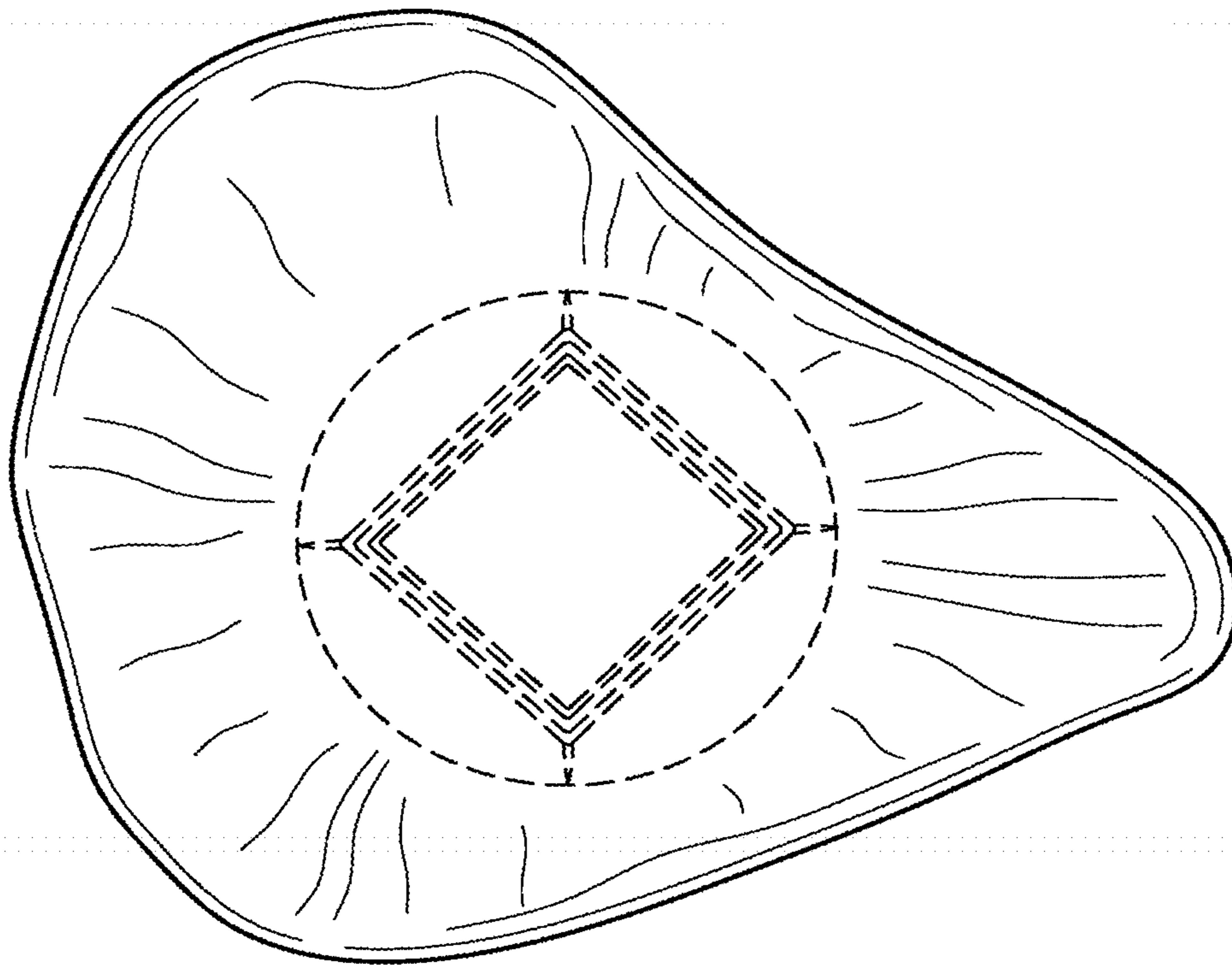


FIG. 7

