



US00D781494S

(12) **United States Design Patent**
Barkhurst

(10) **Patent No.:** **US D781,494 S**
(45) **Date of Patent:** **** Mar. 14, 2017**

- (54) **MODULE HIGH-BAY LIGHTING SYSTEM FIXTURE**
- (71) Applicant: **Duracomm Corporation**, Kansas City, MO (US)
- (72) Inventor: **Corey Barkhurst**, Harrisonville, MO (US)
- (73) Assignee: **Duracomm Corporation**, Kansas City, MO (US)

Primary Examiner — Brian N Vinson
(74) *Attorney, Agent, or Firm* — Kutak Rock LLP; Bryan P. Stanley

(**) Term: **14 Years**

(57) **CLAIM**

The ornamental design for an module high-bay lighting system fixture, as shown and described.

(21) Appl. No.: **29/506,964**

DESCRIPTION

(22) Filed: **Oct. 22, 2014**

(51) **LOC (10) Cl.** **26-99**

(52) **U.S. Cl.**
USPC **D26/120**

(58) **Field of Classification Search**
USPC D26/1, 24, 63, 72, 74, 81, 84, 118, 120
CPC F21S 4/00; F21S 8/00; F21W 2131/3005;
F21W 2131/304; F21W 2131/308; F21W
2131/405
See application file for complete search history.

FIG. 1 is a perspective view of an embodiment of a high-bay fixture module of the invention, the view showing a bottom of the fixture.

FIG. 2 is an exploded view of the high-bay fixture module of FIG. 1.

FIG. 3 is an exploded view of the high-bay fixture module of FIG. 1.

FIG. 4 is a bottom plan view of the high-bay fixture module of FIG. 1.

FIG. 5 is a top plan view of the high-bay fixture module of FIG. 1.

FIG. 6 is a first side view of the high-bay fixture module of FIG. 1 showing a tongue connector extending from the module for receipt in a groove of another module.

FIG. 7 is a second side view of the high-bay fixture module of FIG. 1, directly opposing the first side view of FIG. 6 and showing a groove in the module for receiving a tongue connector of another module.

FIG. 8 is a first end view of the high-bay fixture module of FIG. 1; and,

FIG. 9 is a second end view of the high-bay fixture module of FIG. 1, directly opposing the first end view of FIG. 8.

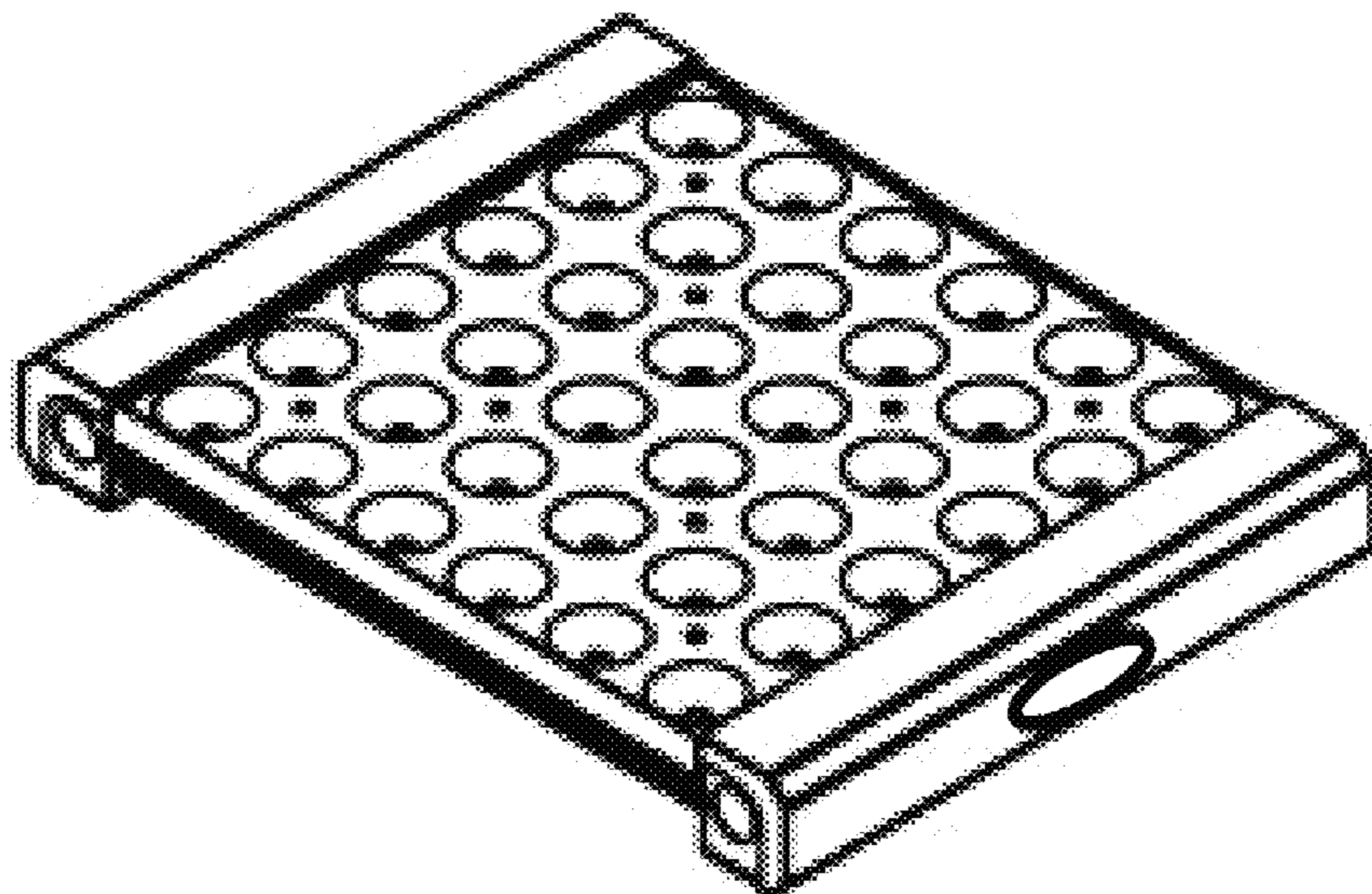
(56) **References Cited**

U.S. PATENT DOCUMENTS

D539,943 S	*	4/2007	Egawa	D26/72
D643,961 S	*	8/2011	Mancini	D26/84
D647,416 S	*	10/2011	Kim	D26/118
D671,674 S	*	11/2012	Cho	D26/118
D695,435 S	*	12/2013	Pedersen	D26/63
D699,880 S	*	2/2014	Szoke	D26/74
D714,484 S	*	9/2014	Barnes	D26/72

* cited by examiner

1 Claim, 4 Drawing Sheets



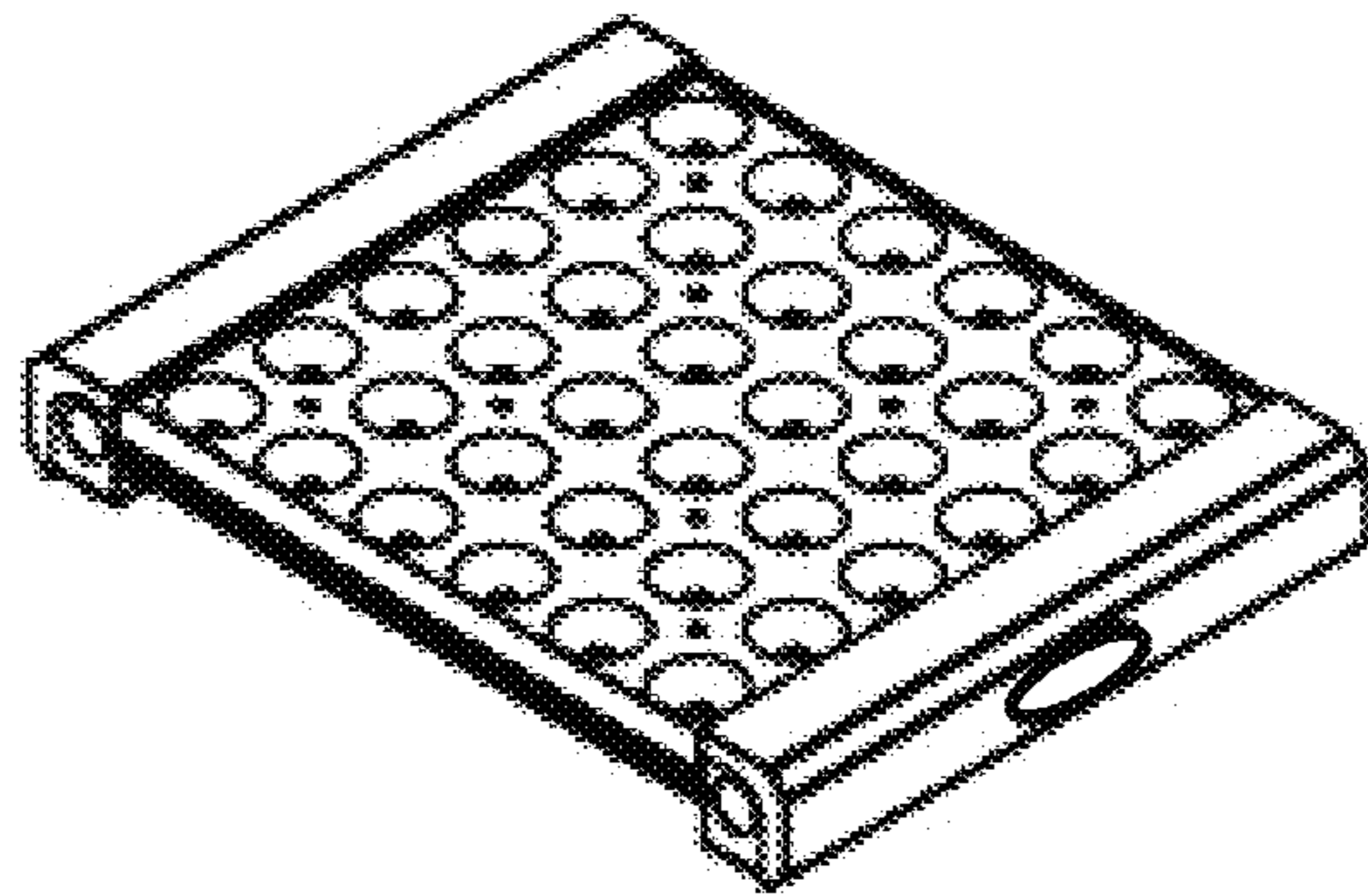


Fig. 1

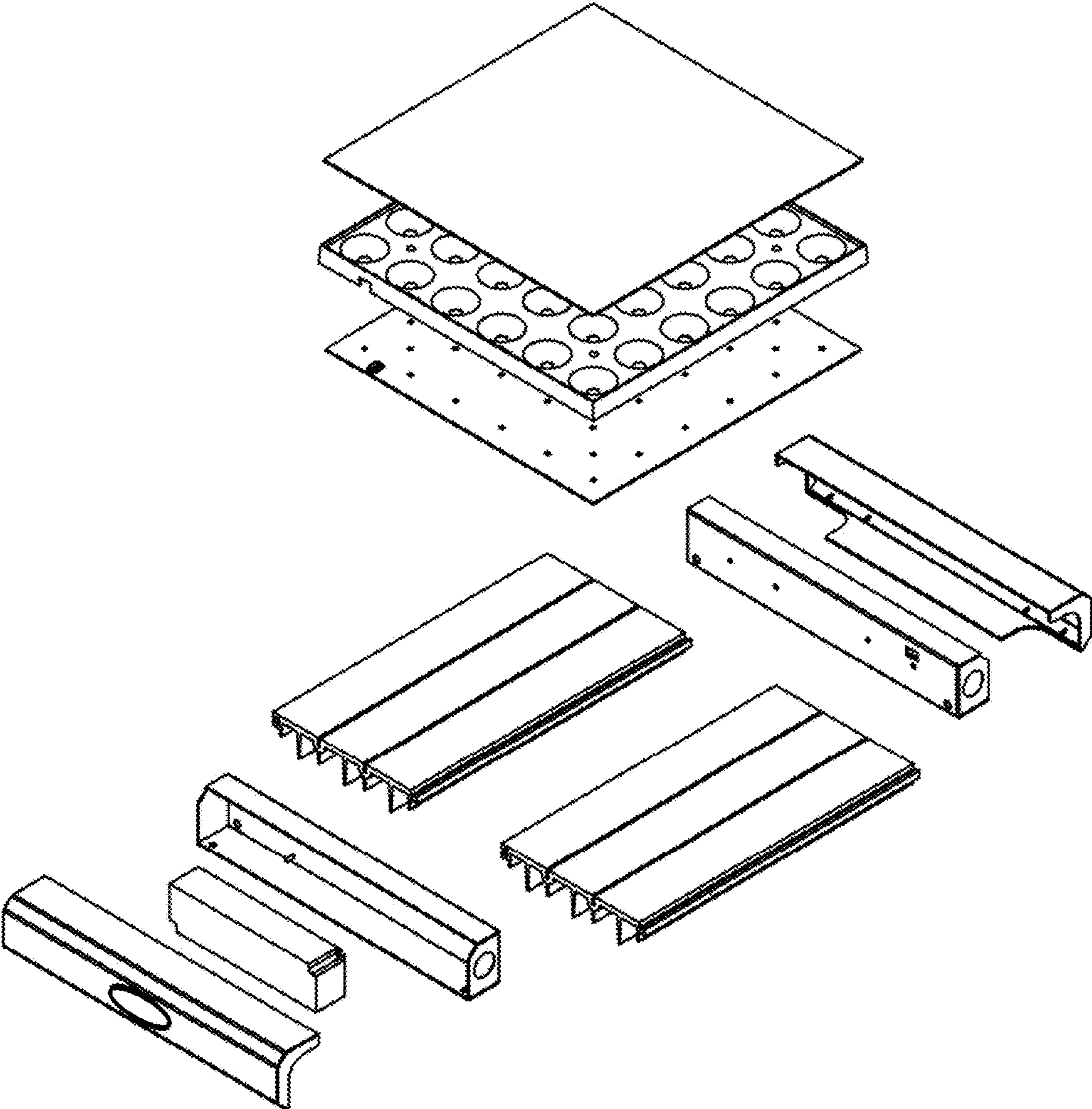


Fig. 2

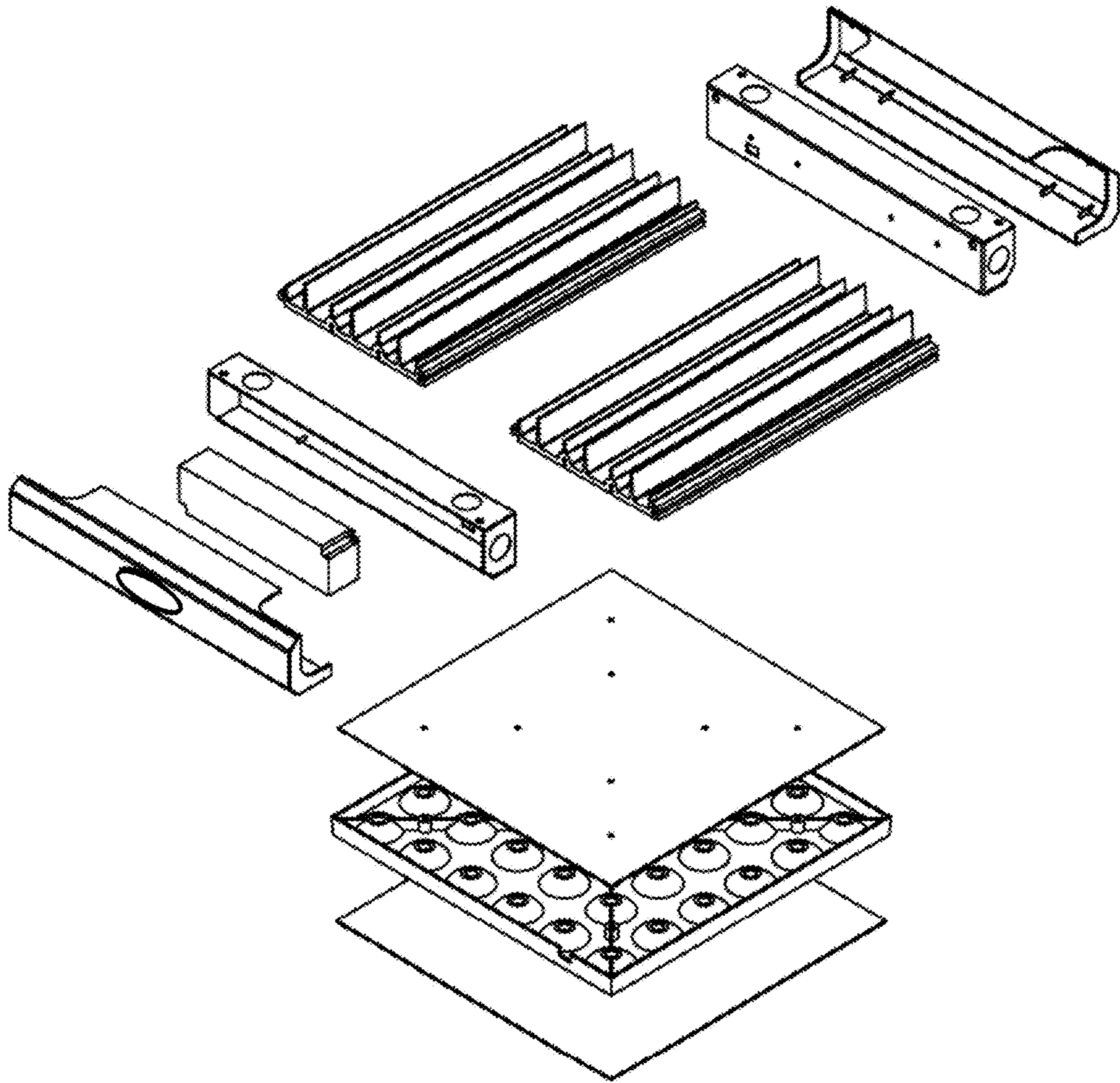


Fig. 3

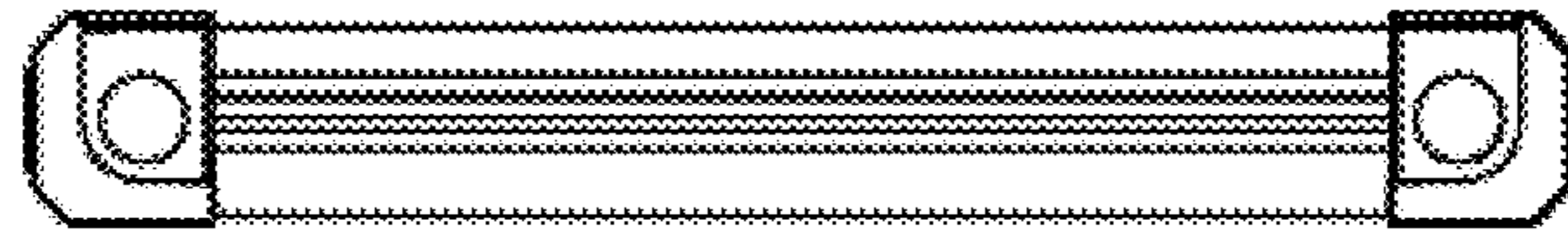


Fig. 7

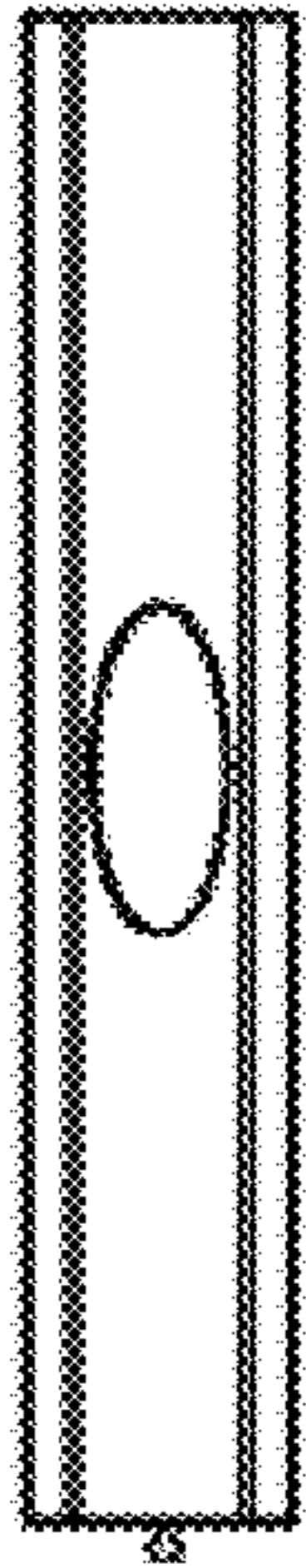


Fig. 8

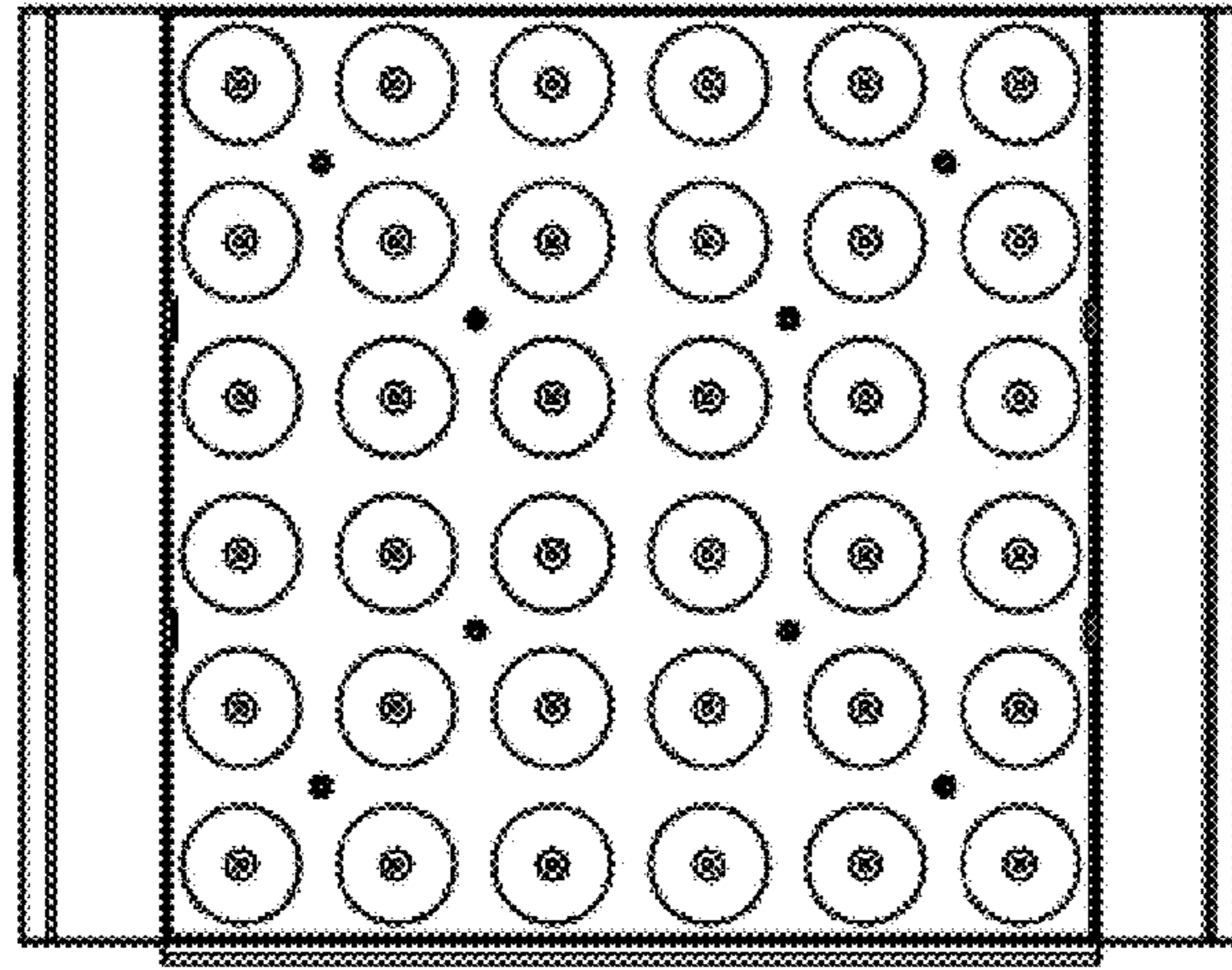


Fig. 4

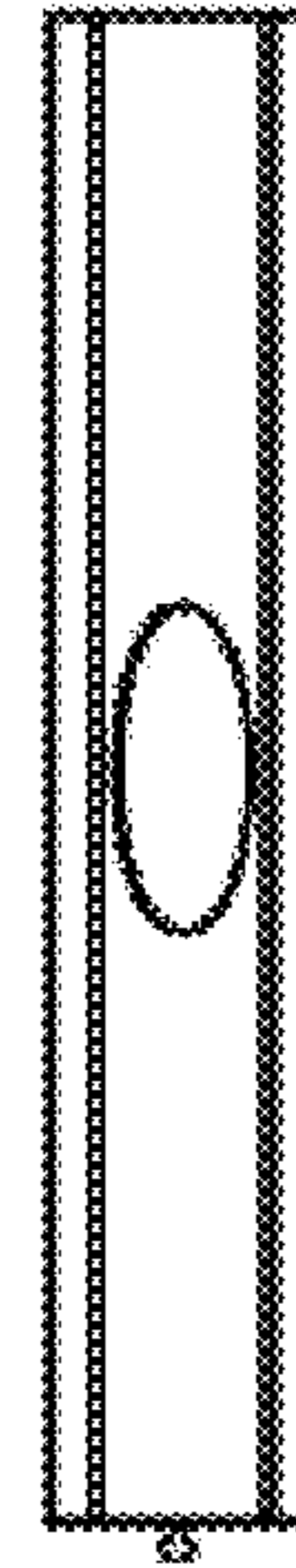


Fig. 9

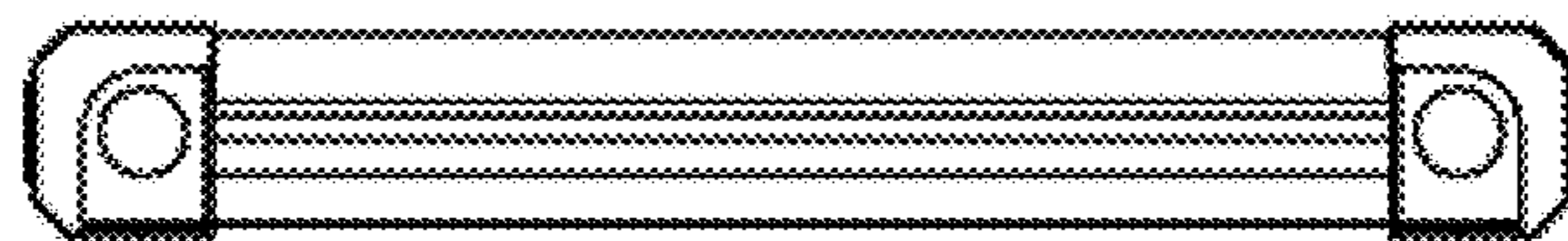


Fig. 6

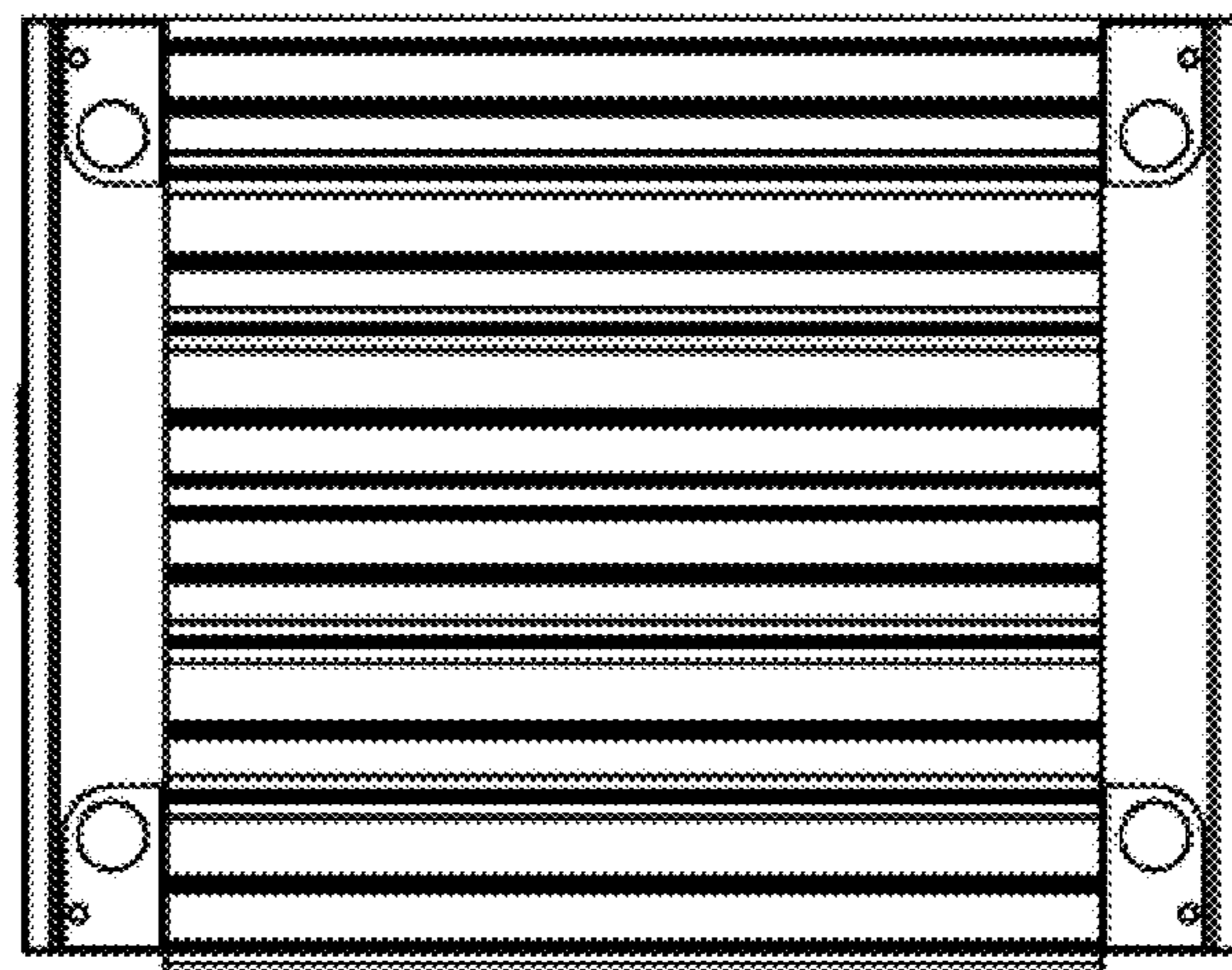


Fig. 5