



US00D781490S

(12) **United States Design Patent**  
**Waldmann**

(10) **Patent No.:** **US D781,490 S**

(45) **Date of Patent:** **\*\* Mar. 14, 2017**

(54) **LAMP**

(71) Applicant: **Herbert Waldmann GmbH & Co. KG**, Villingen-Schwenningen (DE)

(72) Inventor: **Gerhard Waldmann**, Stein am Rhein (CH)

(73) Assignee: **HERBERT WALDMANN GMBH & CO. KG**, Villingen-Schwenningen (DE)

(\*\*) Term: **15 Years**

(21) Appl. No.: **29/550,829**

(22) Filed: **Jan. 7, 2016**

**Related U.S. Application Data**

(62) Division of application No. 29/498,860, filed on Aug. 8, 2014, now Pat. No. Des. 756,020.

(30) **Foreign Application Priority Data**

Feb. 21, 2014 (DE) ..... 40 2014 100 183

(51) **LOC (10) Cl.** ..... **26-03**

(52) **U.S. Cl.**  
USPC ..... **D26/107**

(58) **Field of Classification Search**  
USPC ..... D26/24, 93, 106, 107, 108, 110, 112  
CPC .... F21S 6/00; F21S 6/002; F21S 8/043; F21S 8/08; F21V 21/02; F21V 21/116; F21W 2131/30; F21Y 2105/00  
See application file for complete search history.

(56) **References Cited**

**U.S. PATENT DOCUMENTS**

D226,021 S \* 1/1973 Haft ..... D26/107  
D244,793 S \* 6/1977 Ruud ..... D26/107

D502,282 S \* 2/2005 Waldmann ..... D26/107  
D529,222 S \* 9/2006 Waldmann ..... D26/107  
D539,970 S \* 4/2007 Waldmann ..... D26/107  
D609,391 S \* 2/2010 Schieffelin ..... D26/93

(Continued)

**OTHER PUBLICATIONS**

Regent called Lightpad, Regent nennt unsere T-Leuchte Z.B. "Doppelkopf" (Modell Tweak, auch die ganz neue Leuchte Lightpad, 2 photos, 2 pages, dated Mar. 10, 2016.

(Continued)

*Primary Examiner* — Brian N Vinson

(74) *Attorney, Agent, or Firm* — Andrew F. Young, Esq.;  
Lackenbach Siegel, LLP

(57) **CLAIM**

The ornamental design for a lamp, as shown and described.

**DESCRIPTION**

FIG. 1 is a front perspective view of a lamp showing my new design.

FIG. 2 is a front elevation view of FIG. 1.

FIG. 3 is a rear elevation view of FIG. 1.

FIG. 4 is a right side elevation view of FIG. 1.

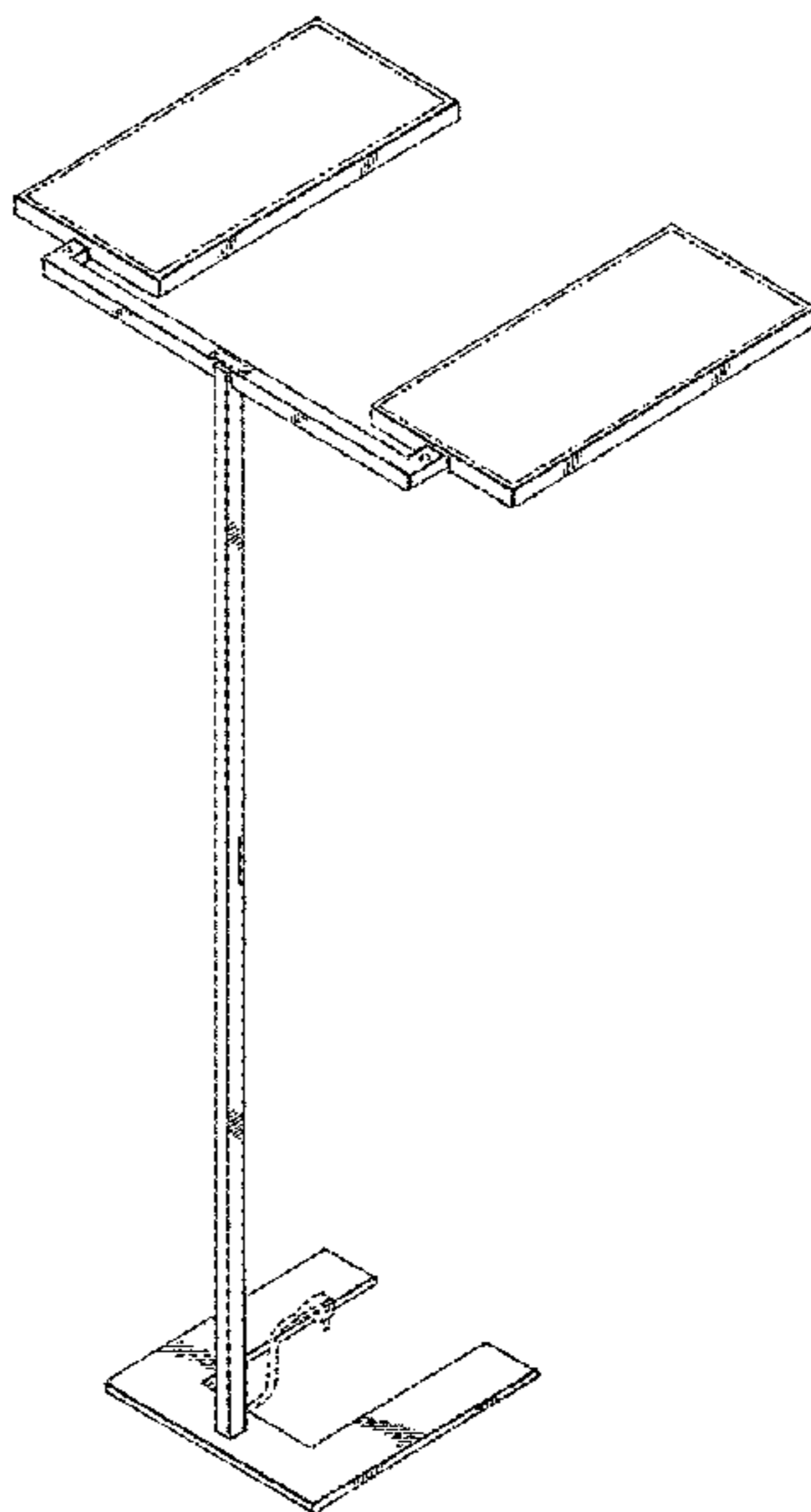
FIG. 5 is a left side elevation view of FIG. 1.

FIG. 6 is a top plan view of FIG. 1; and,

FIG. 7 is a bottom plan view of FIG. 1.

The surfaces are lightly lined for contour and no claim is made to any particular surface texture. The dashed lines indicated disclaimed portions of the design, and no claim is made to the designated portions indicated by dashed lines; including without limitation any power cord, lamp element, support feet, on/off switch, and on/off switch support plate, metal joining seam lines, joining plates and screws, bolt member or the upper head surface and bottom head surface portions as shown.

**1 Claim, 5 Drawing Sheets**



(56)

**References Cited**

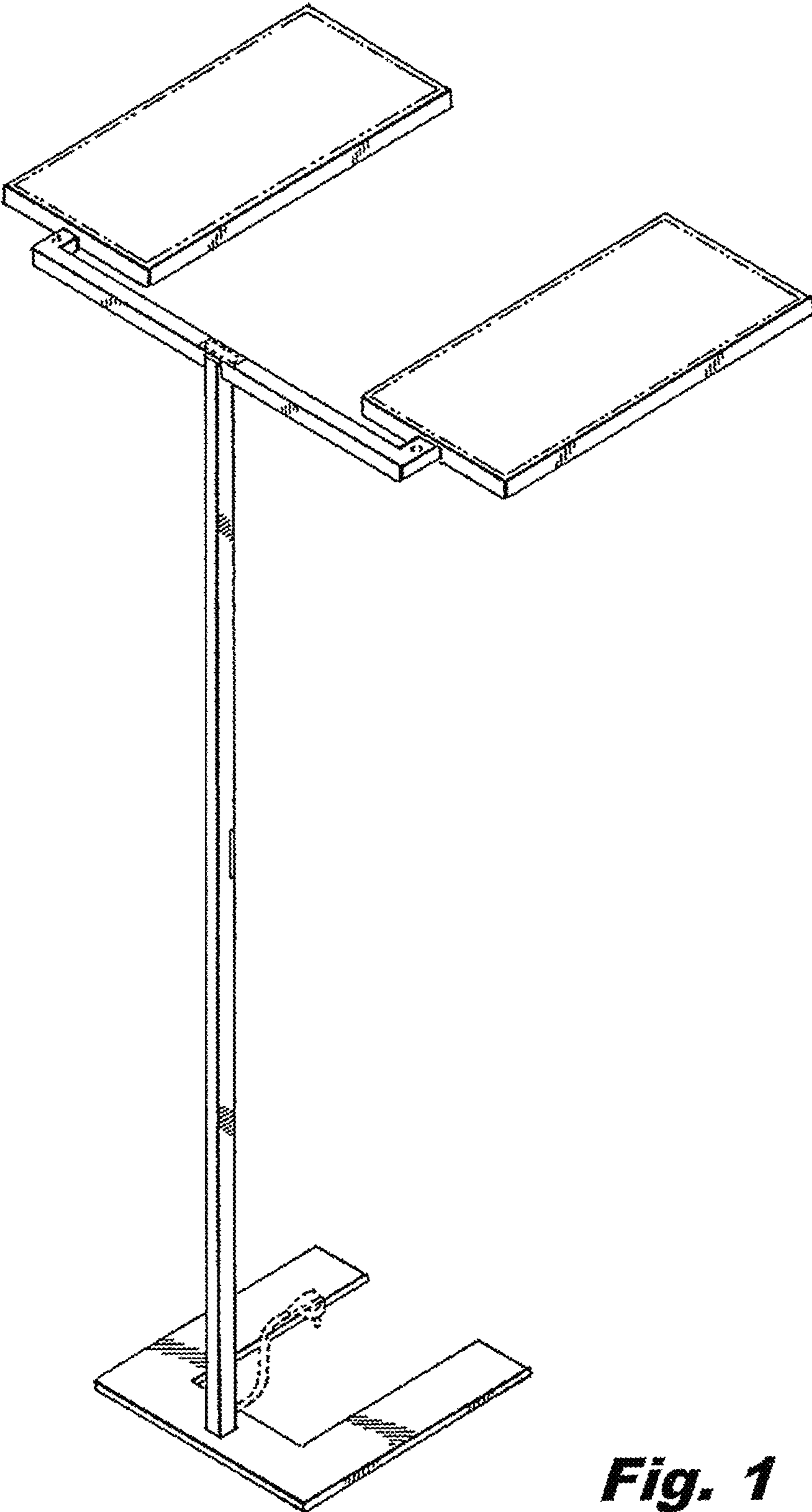
U.S. PATENT DOCUMENTS

D645,197 S \* 9/2011 Waldmann ..... D26/107  
D731,699 S \* 6/2015 Fishman ..... D26/106  
D732,725 S \* 6/2015 Lonsdale ..... D26/107  
D757,341 S \* 5/2016 Marijnissen ..... D26/107

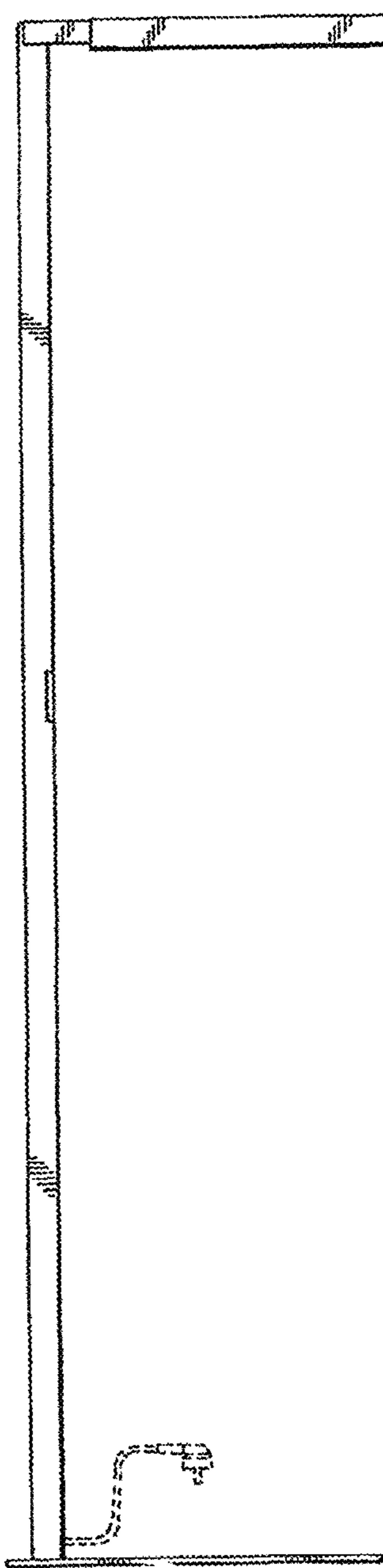
OTHER PUBLICATIONS

A U-Variant used in a project in Germany, Eine U-Variante haben sie in einem Projekt in Deutschland eingesetzt (Rhein Energie Köln). Typ: Level, 1 photo, 2 pages, dated Mar. 10, 2016.

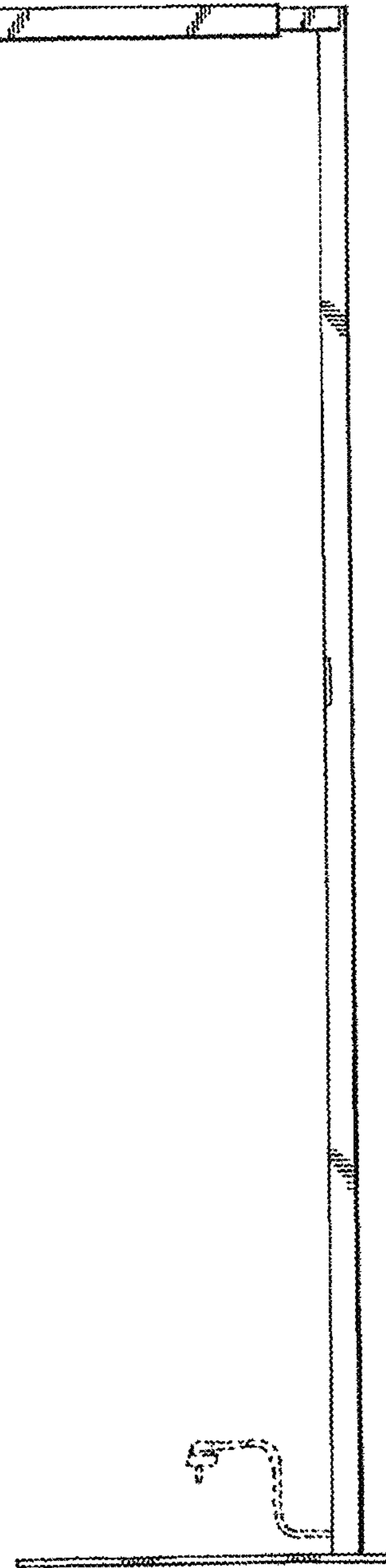
\* cited by examiner



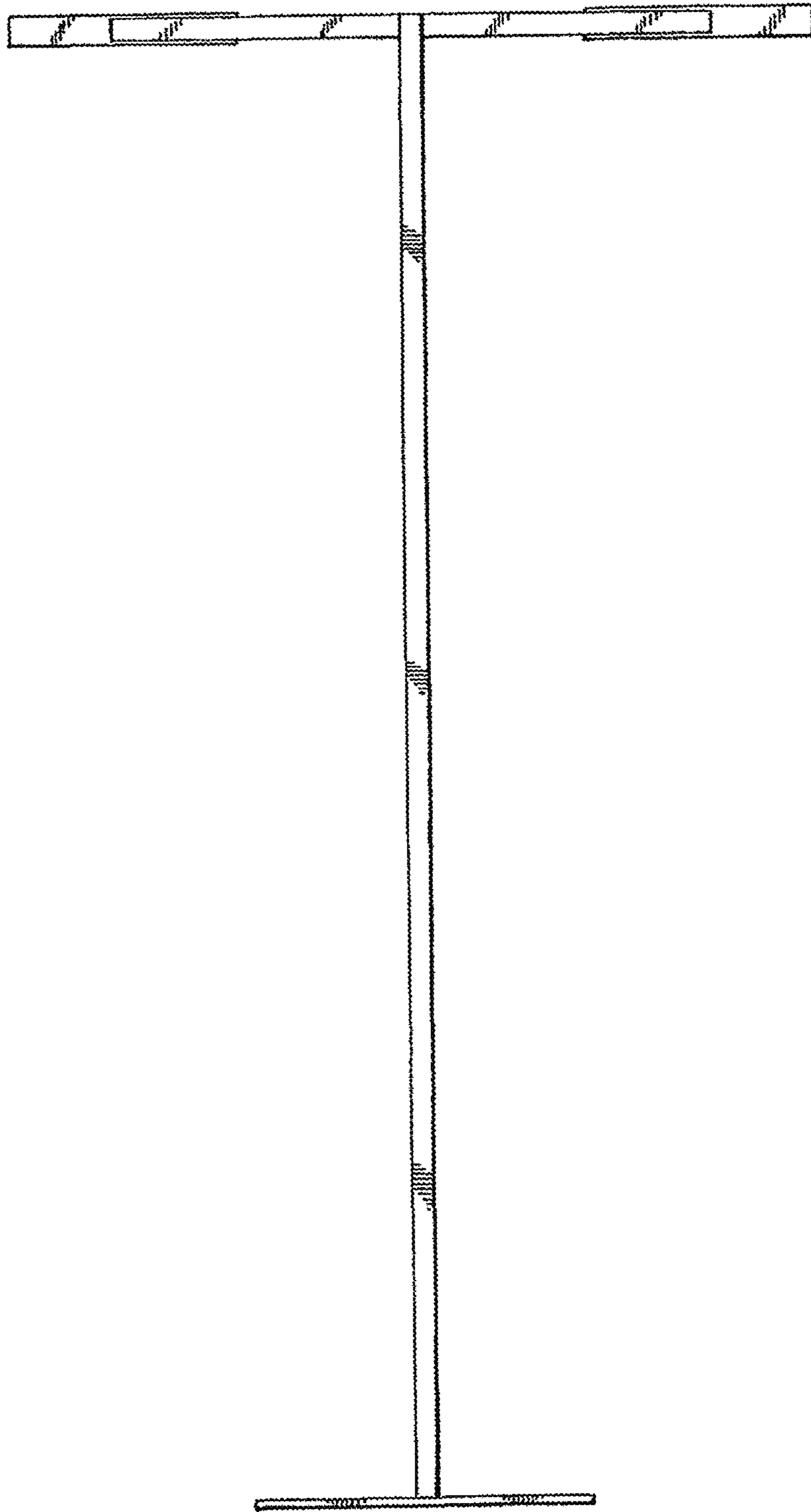
**Fig. 1**



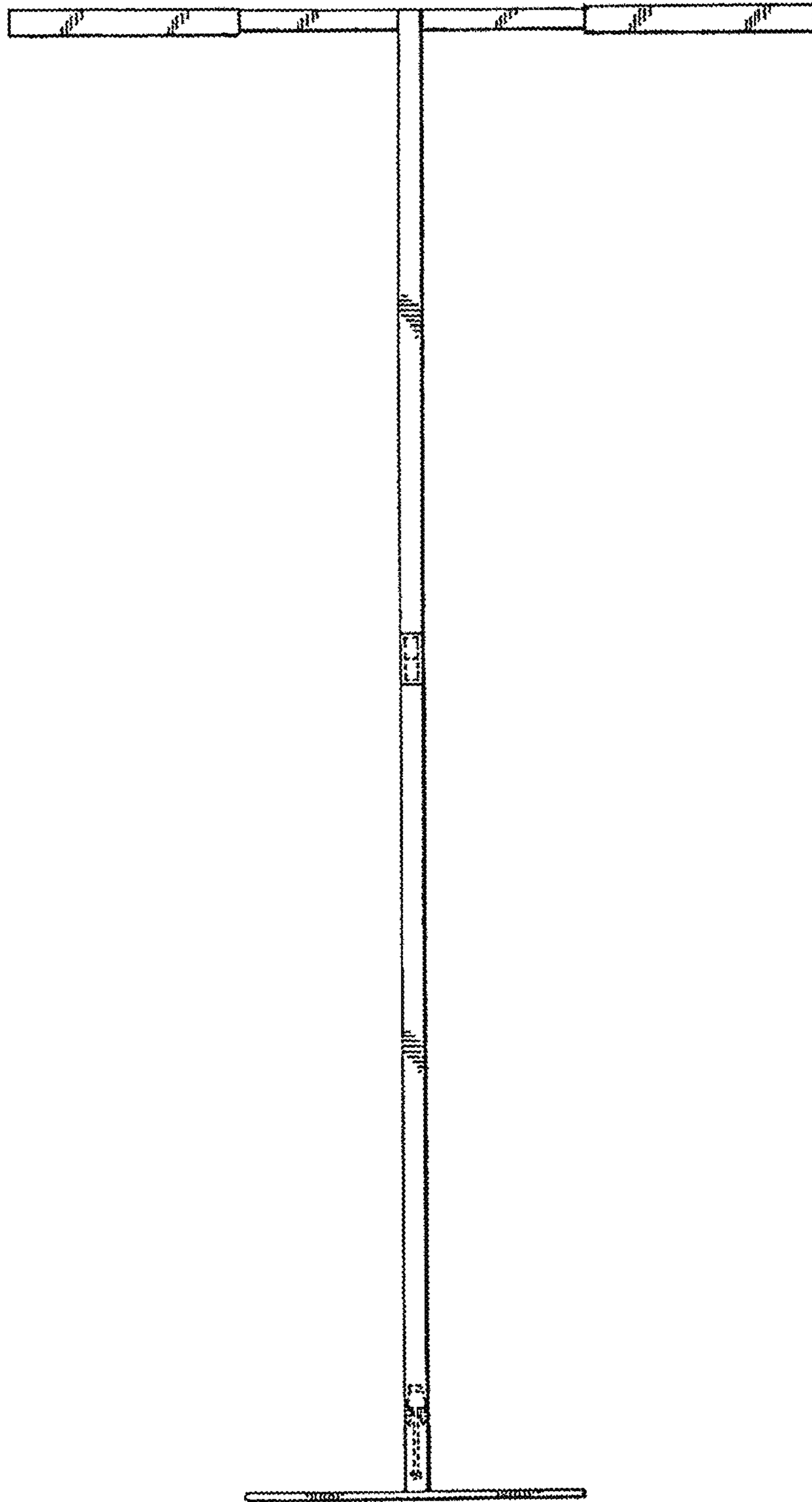
**Fig. 2**



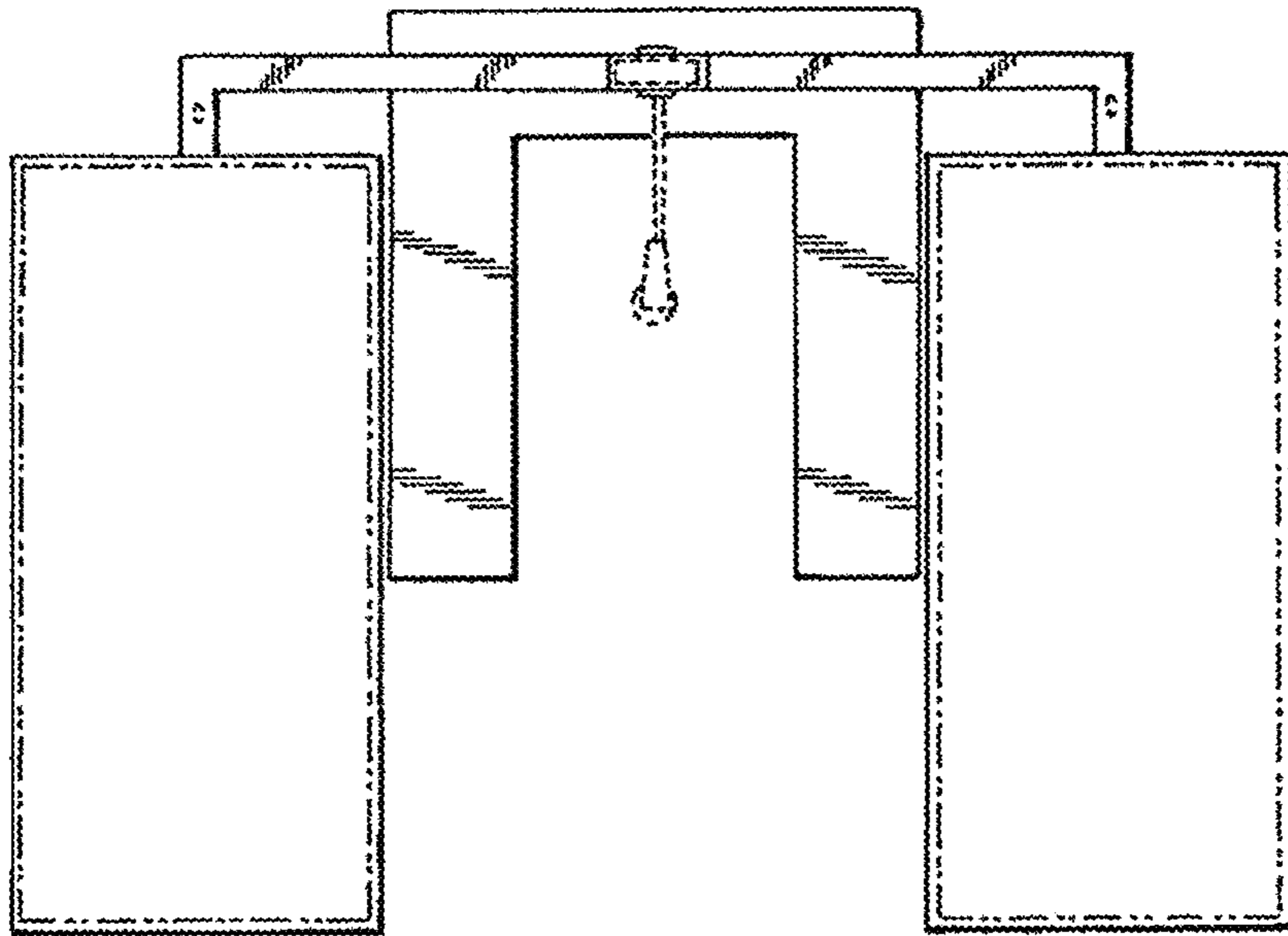
**Fig. 3**



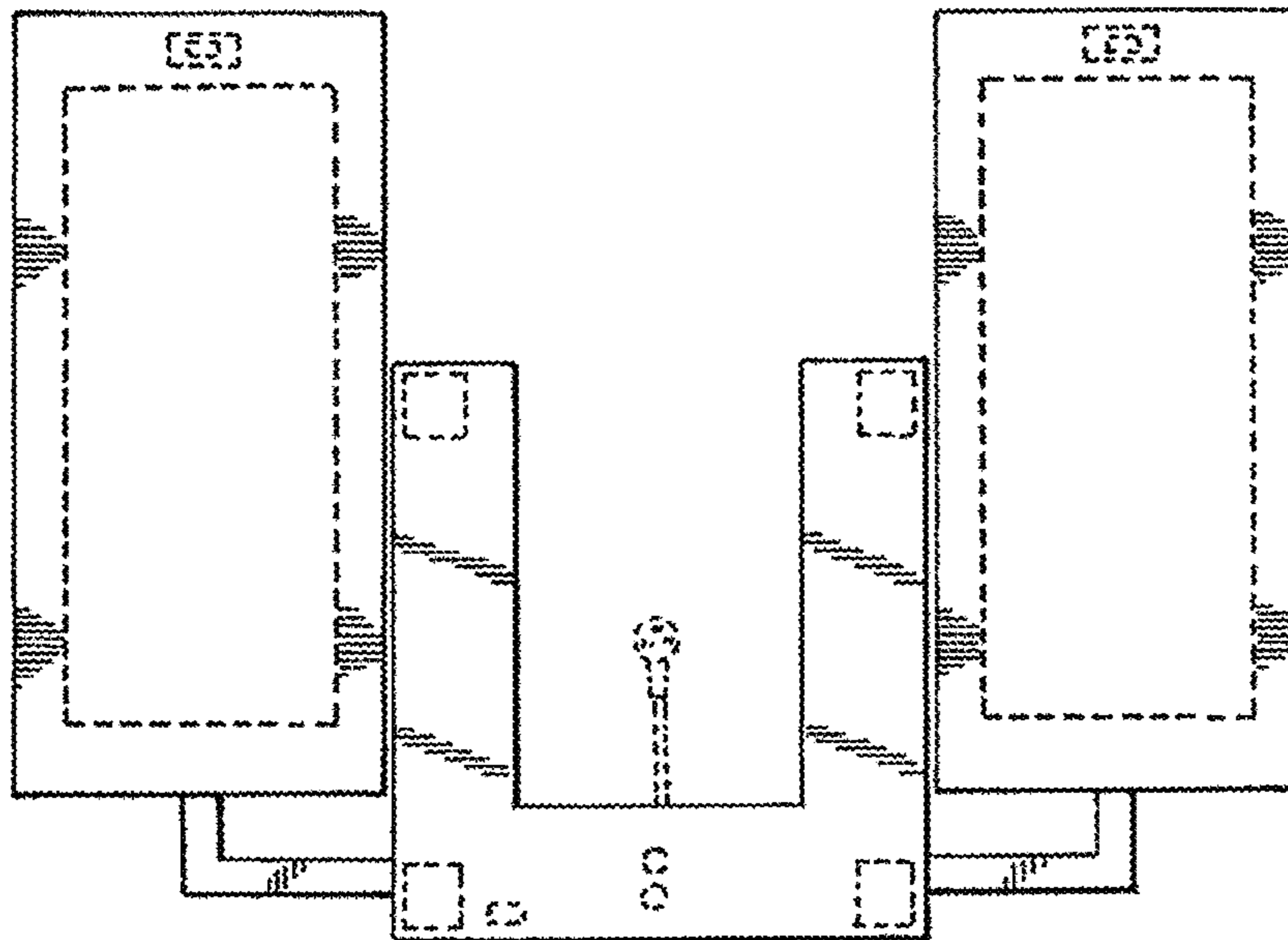
**Fig. 4**



**Fig. 5**



**Fig. 6**



**Fig. 7**