



US00D781489S

(12) **United States Design Patent**  
**Jiao et al.**

(10) **Patent No.:** **US D781,489 S**

(45) **Date of Patent:** **\*\* Mar. 14, 2017**

(54) **TABLE LAMP**

D736,447 S \* 8/2015 Rampolla ..... D26/107  
D757,342 S \* 5/2016 Cai ..... D26/107  
D759,289 S \* 6/2016 Newhouse ..... D26/107

(71) Applicant: **ADOT LIGHTING CO., LTD.**, Xi'an,  
Shaanxi (CN)

(72) Inventors: **Genjuan Jiao**, Shaanxi (CN); **Xiaorong Xing**, Shaanxi (CN); **Le Wang**, Shaanxi (CN)

(73) Assignee: **ADOT LIGHTING CO., LTD.**, Xi'an,  
Shaanxi (CN)

(\*\*) Term: **15 Years**

(21) Appl. No.: **29/540,954**

(22) Filed: **Sep. 29, 2015**

(30) **Foreign Application Priority Data**

Jun. 5, 2015 (CN) ..... 2015 3 0179988

(51) **LOC (10) Cl.** ..... **26-03**

(52) **U.S. Cl.**  
USPC ..... **D26/107**

(58) **Field of Classification Search**  
USPC . D26/1, 24, 93, 104, 106, 107, 109, 110, 62  
CPC ..... F21S 6/00; F21S 6/043; F21S 8/08; F21V  
21/00; F21V 21/02; F21W 2121/00;  
F21W 2131/30

See application file for complete search history.

(56) **References Cited**

**U.S. PATENT DOCUMENTS**

D589,642 S \* 3/2009 Chen ..... D26/107  
D728,845 S \* 5/2015 Huang ..... D26/107

**FOREIGN PATENT DOCUMENTS**

CN 303341608 S 8/2015  
CN 303341611 S 8/2015

\* cited by examiner

*Primary Examiner* — Brian N Vinson

(74) *Attorney, Agent, or Firm* — David D. Brush;  
Westman Champlin & Koehler, P.A.

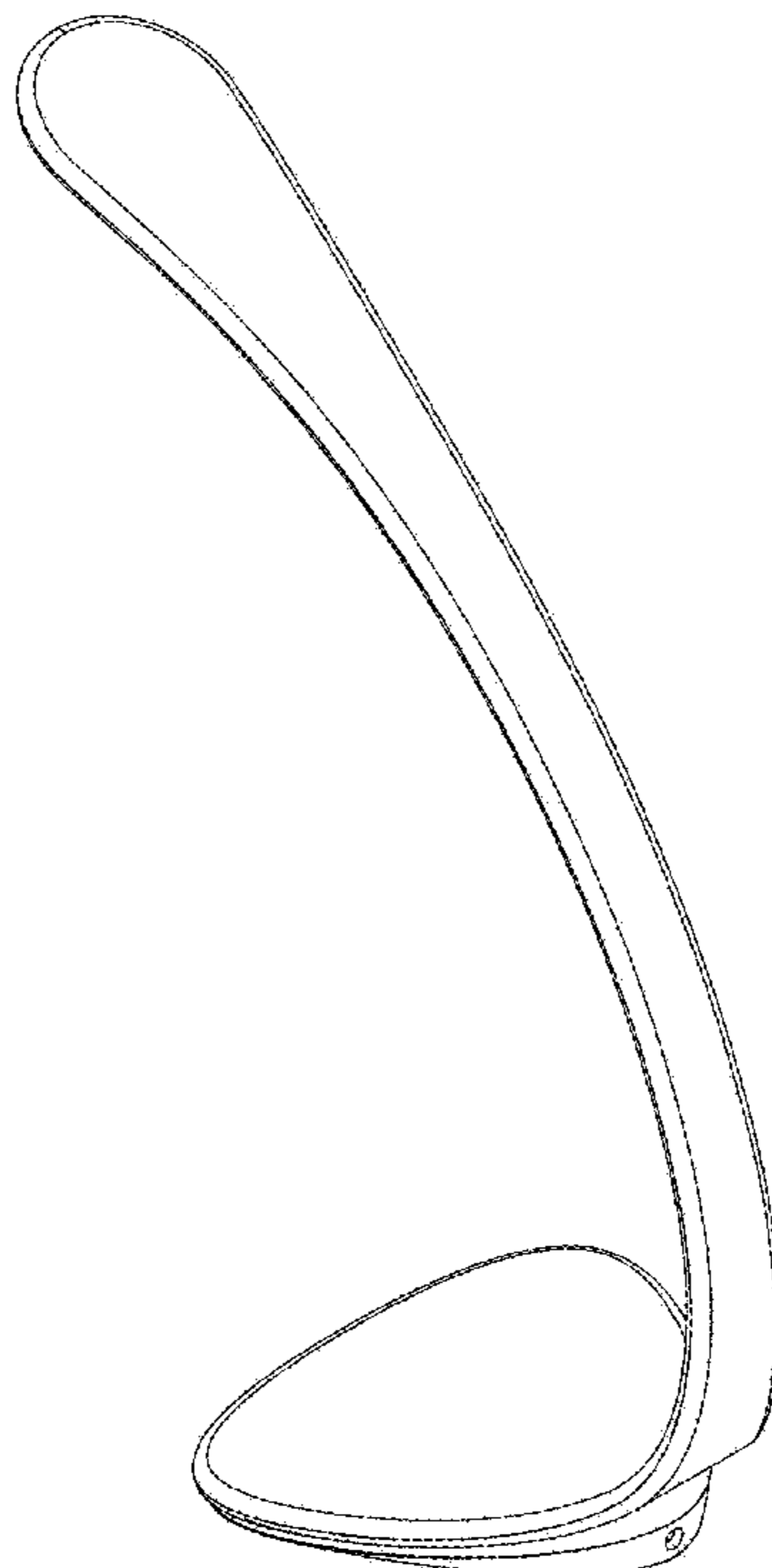
(57) **CLAIM**

The ornamental design for a table lamp, as shown and described.

**DESCRIPTION**

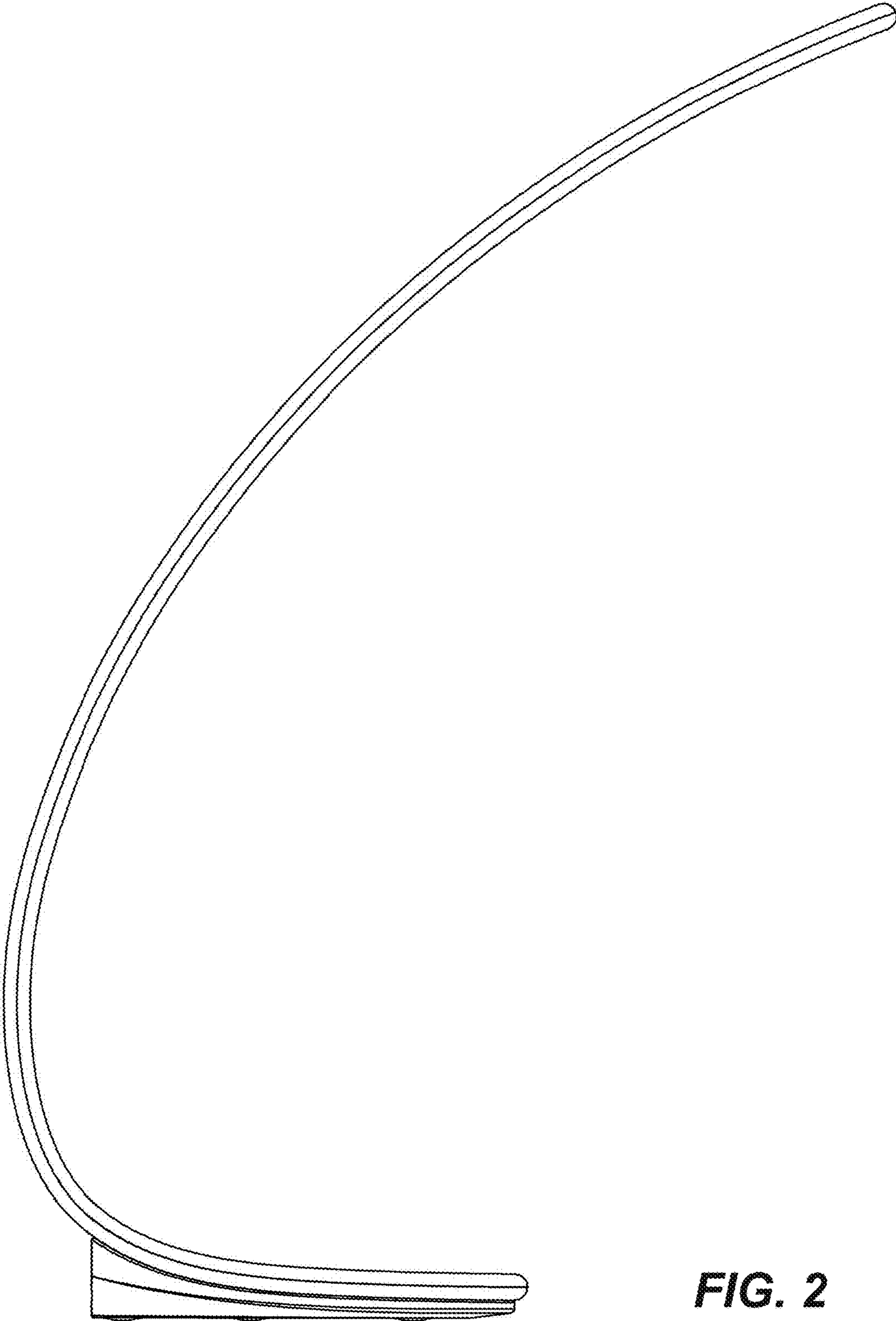
FIG. 1 is a right side elevational view of a table lamp showing my new design;  
FIG. 2 is a left side elevational view thereof;  
FIG. 3 is a front elevational view thereof;  
FIG. 4 is a rear elevational view thereof;  
FIG. 5 is a top plan view thereof;  
FIG. 6 is a bottom plan view thereof; and,  
FIG. 7 is a perspective view thereof.

**1 Claim, 6 Drawing Sheets**

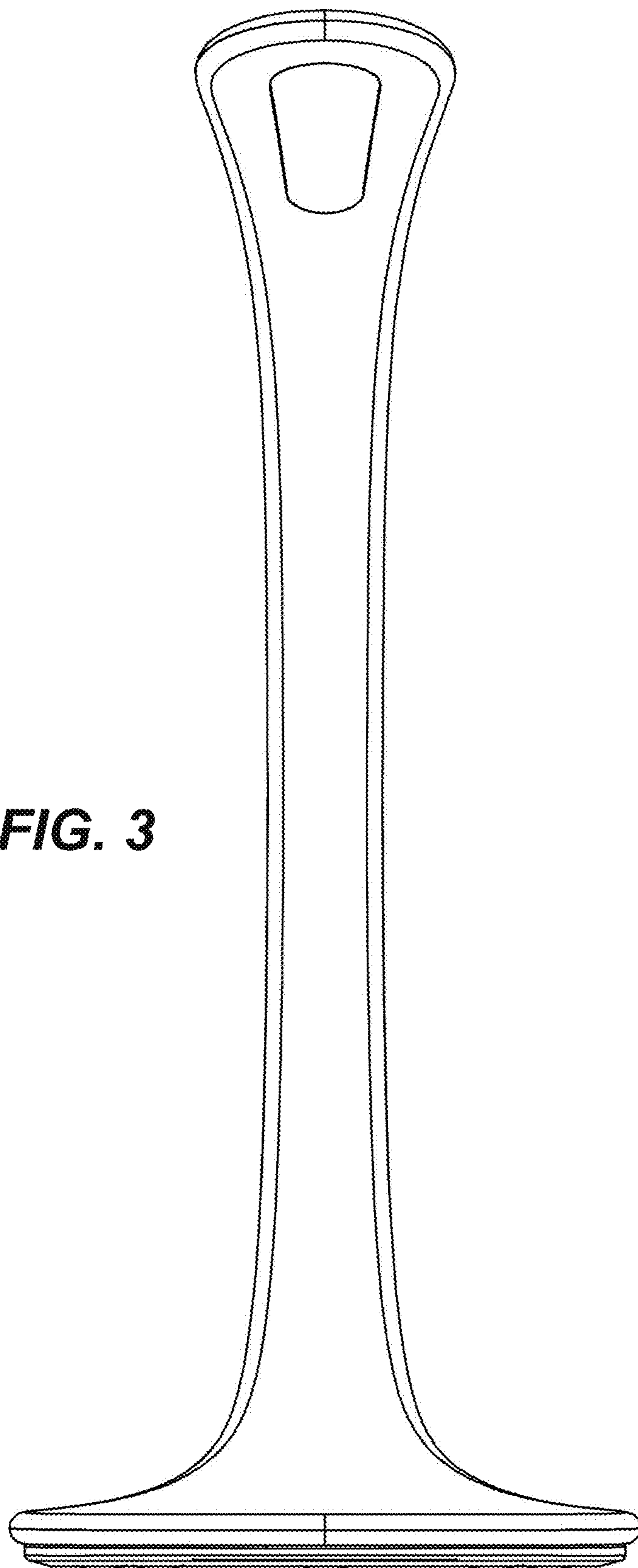




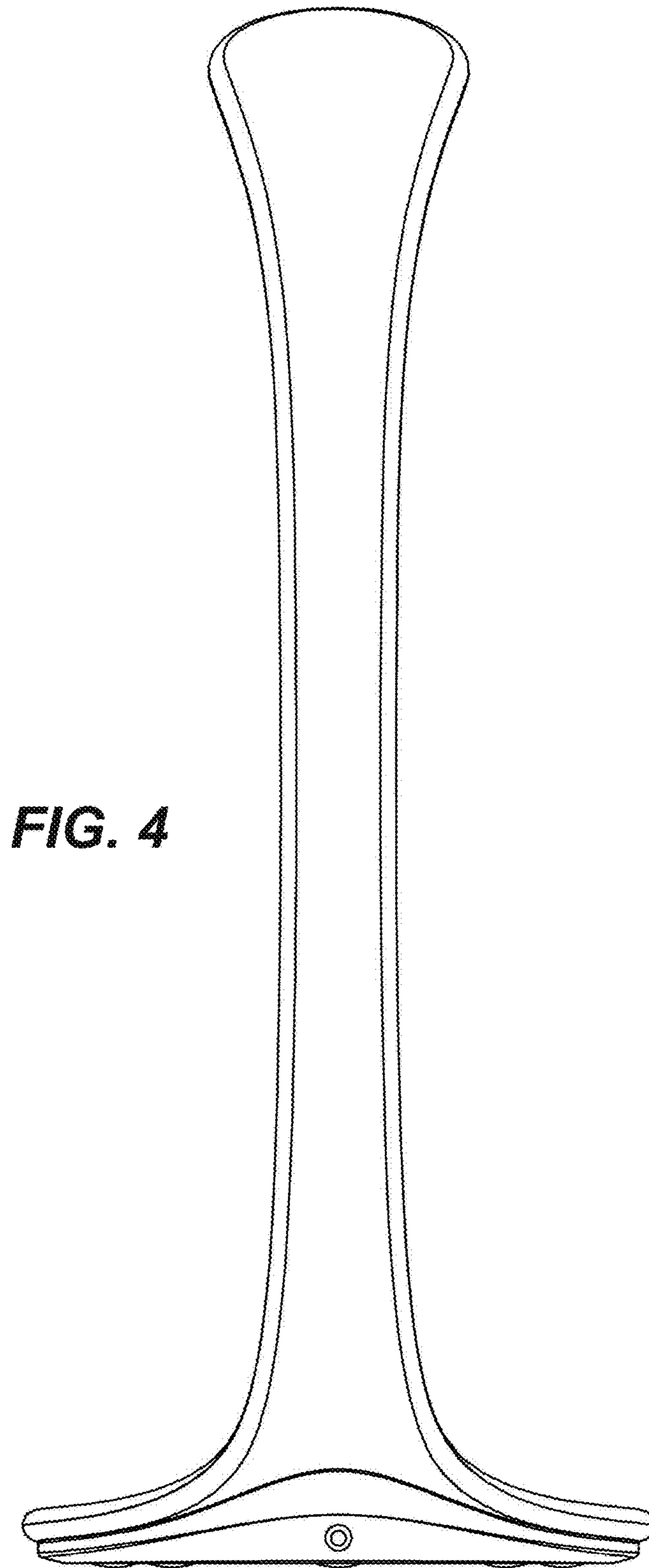
**FIG. 1**



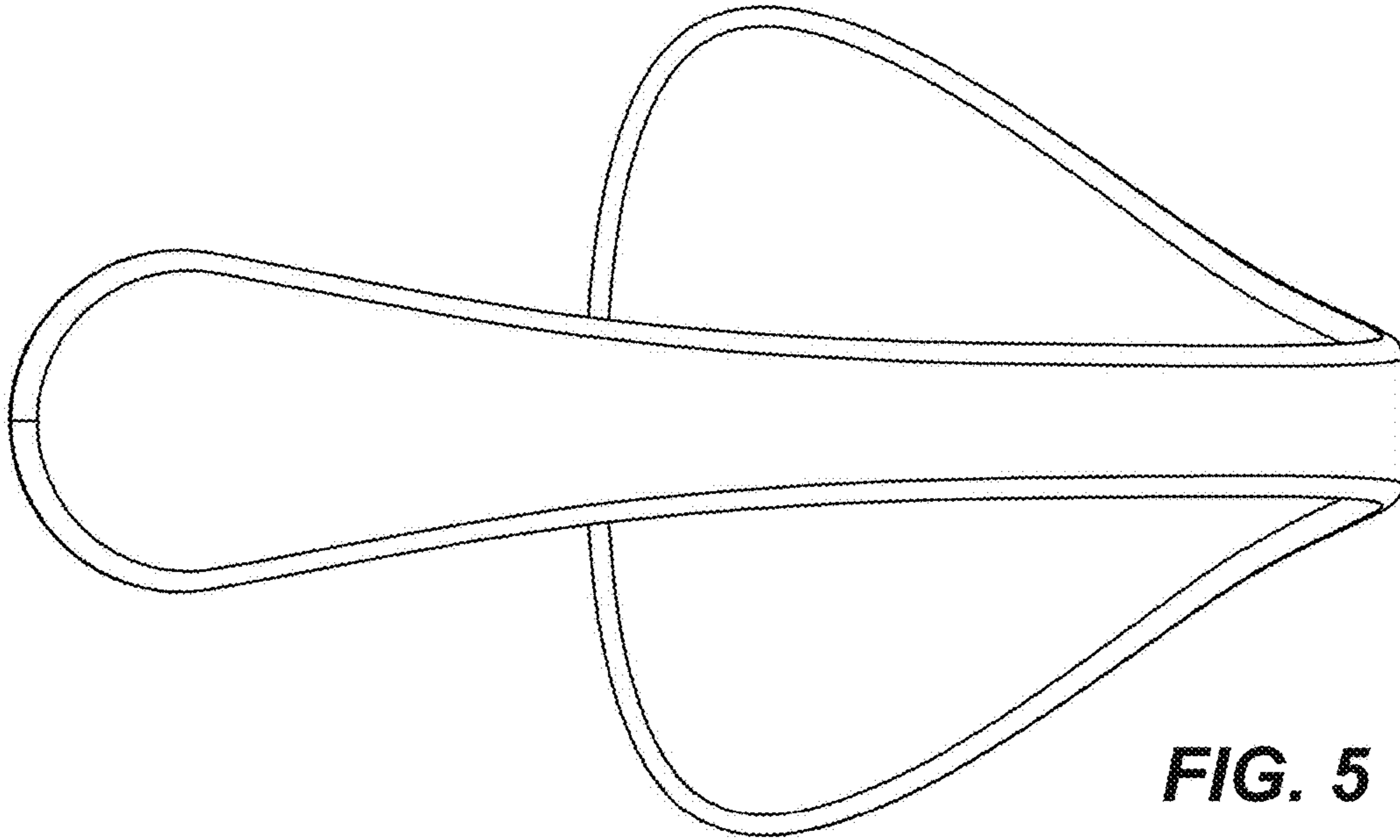
**FIG. 2**



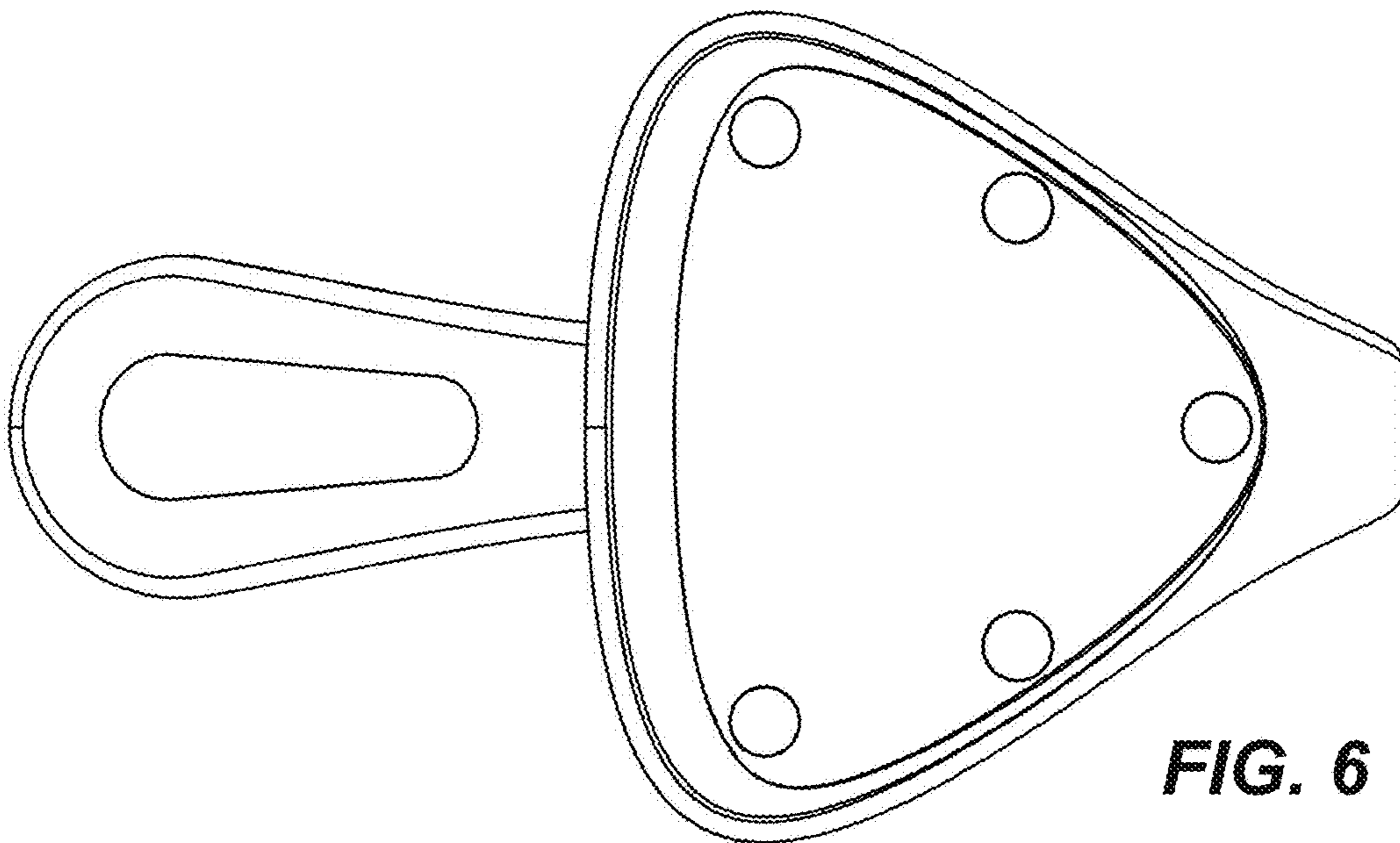
**FIG. 3**



**FIG. 4**

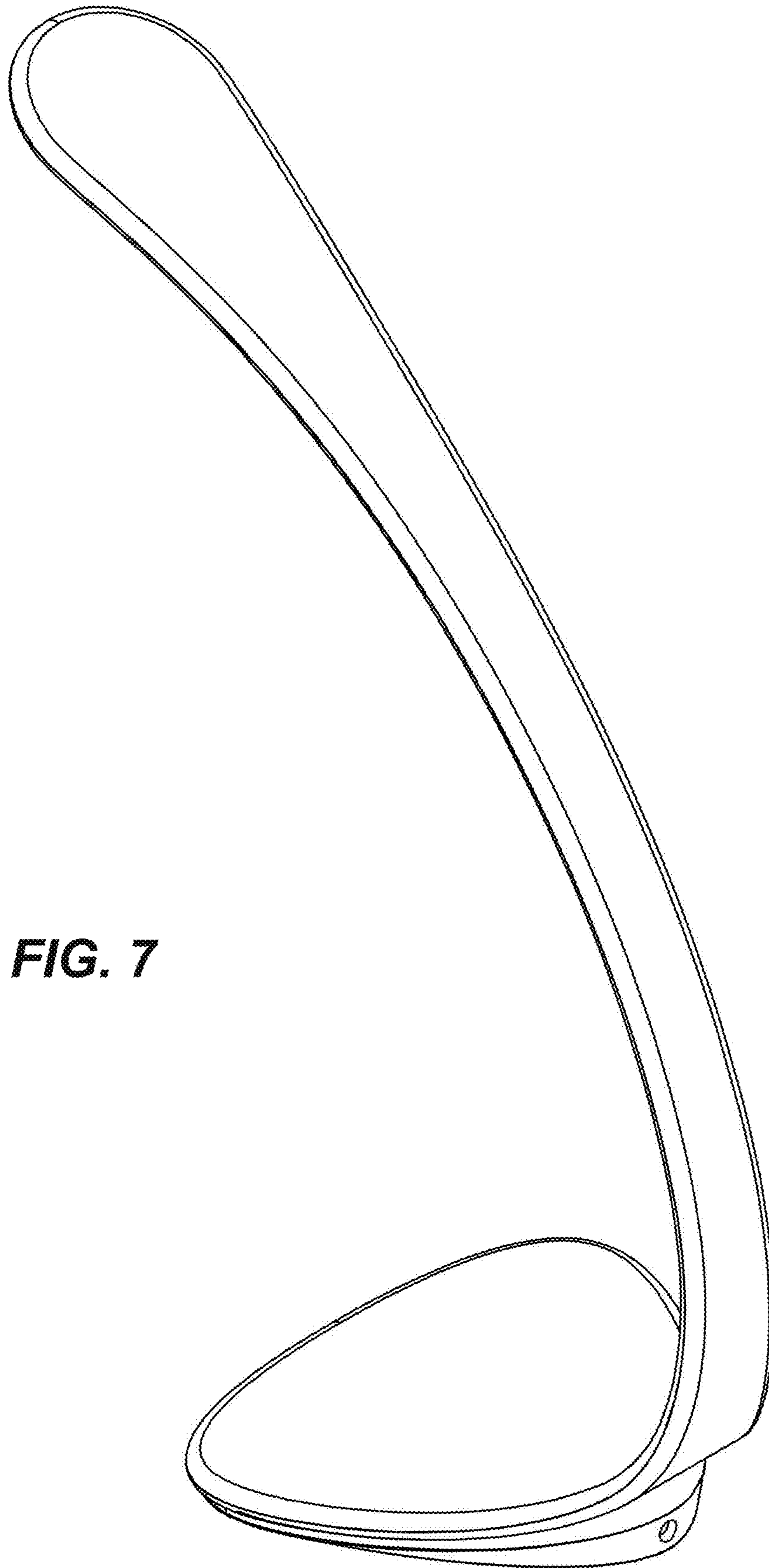


**FIG. 5**



**FIG. 6**





**FIG. 7**