



US00D781488S

(12) **United States Design Patent** (10) **Patent No.:** **US D781,488 S**  
**Patton** (45) **Date of Patent:** **\*\* Mar. 14, 2017**

(54) **ELECTRIC PILLAR CANDLE**

FOREIGN PATENT DOCUMENTS

(71) Applicant: **Luminara Worldwide, LLC**, Eden Prairie, MN (US)  
(72) Inventor: **Douglas Patton**, Irvine, CA (US)  
(73) Assignee: **Luminara Worldwide, LLC**, Eden Prairie, ME (US)  
(\*\*) Term: **15 Years**

CA	2886665	1/2012
CA	2804583	1/2014
CN	301673732	6/2010
CN	102147095	8/2011
CN	202024234	11/2011
CN	202032445	11/2011
CN	202195404	4/2012
CN	202209620	5/2012
CN	101865413	8/2012
CN	102734740	10/2012
CN	102748589	10/2012

(Continued)

(21) Appl. No.: **29/539,695**

(22) Filed: **Sep. 16, 2015**

OTHER PUBLICATIONS

(51) **LOC (10) Cl.** ..... **26-03**  
(52) **U.S. Cl.**  
USPC ..... **D26/96**

European Community Design Registration No. 002573469-0001, issued Nov. 7, 2014.

(58) **Field of Classification Search**  
USPC ..... D26/4, 5, 6, 7, 9, 96  
CPC .... F21S 6/00; F21S 6/001; F21S 10/04; F21S 10/10; F21S 10/043; F21S 8/08; F21S 48/115; F21V 21/00; F21V 35/00; F21W 2121/00; C11C 5/002; C11C 5/004  
See application file for complete search history.

*Primary Examiner* — Brian N Vinson  
(74) *Attorney, Agent, or Firm* — Fish & Tsang LLP

(57) **CLAIM**

The ornamental design for an electric pillar candle, as shown and described.

(56) **References Cited**

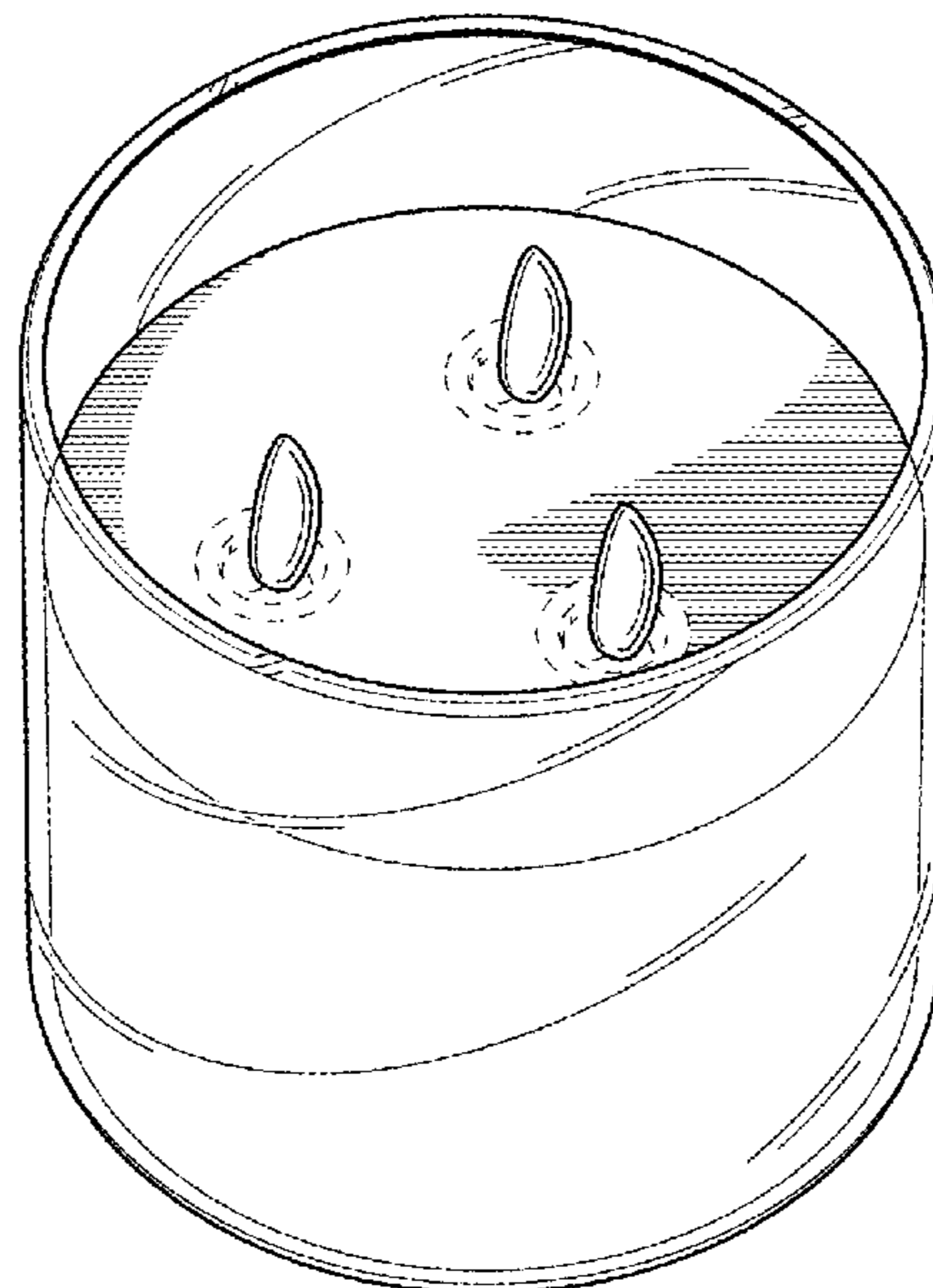
**DESCRIPTION**

U.S. PATENT DOCUMENTS

D257,641 S *	12/1980	Taylor	.....	D26/6
D441,883 S *	5/2001	Poppick	.....	D26/6
D488,582 S *	4/2004	Connelly	.....	D26/96
D490,547 S *	5/2004	Clarkson	.....	D26/9
D547,467 S *	7/2007	Horezniak	.....	D26/6
D658,792 S *	5/2012	Baraky	.....	D26/22
D660,996 S *	5/2012	Rein	.....	D26/22
D669,615 S	10/2012	Delcotto et al.		
D706,963 S	6/2014	Thompson		
D747,027 S *	1/2016	Smith	.....	D26/96
D748,843 S *	2/2016	Thompson	.....	D26/96
D760,423 S *	6/2016	Li	.....	D26/96

FIG. 1 is a perspective view of an electric pillar candle showing my new design.  
FIG. 2 is a rear view thereof.  
FIG. 3 is a front view thereof.  
FIG. 4 is a left side view thereof.  
FIG. 5 is a right side view thereof.  
FIG. 6 is a top view thereof; and,  
FIG. 7 is a bottom view thereof.  
The broken line disclosure represents portions of the light which form no part of the claimed design.

**1 Claim, 2 Drawing Sheets**



(56)

**References Cited**

FOREIGN PATENT DOCUMENTS

CN	102721002	6/2014
CN	204042739	12/2014
CN	303219551	5/2015
CN	303219552	5/2015
CN	303219562	5/2015
CN	303219563	5/2015
EP	1878449	2/2005
JP	1545097 D	2/2016
JP	1545304 D	2/2016

\* cited by examiner

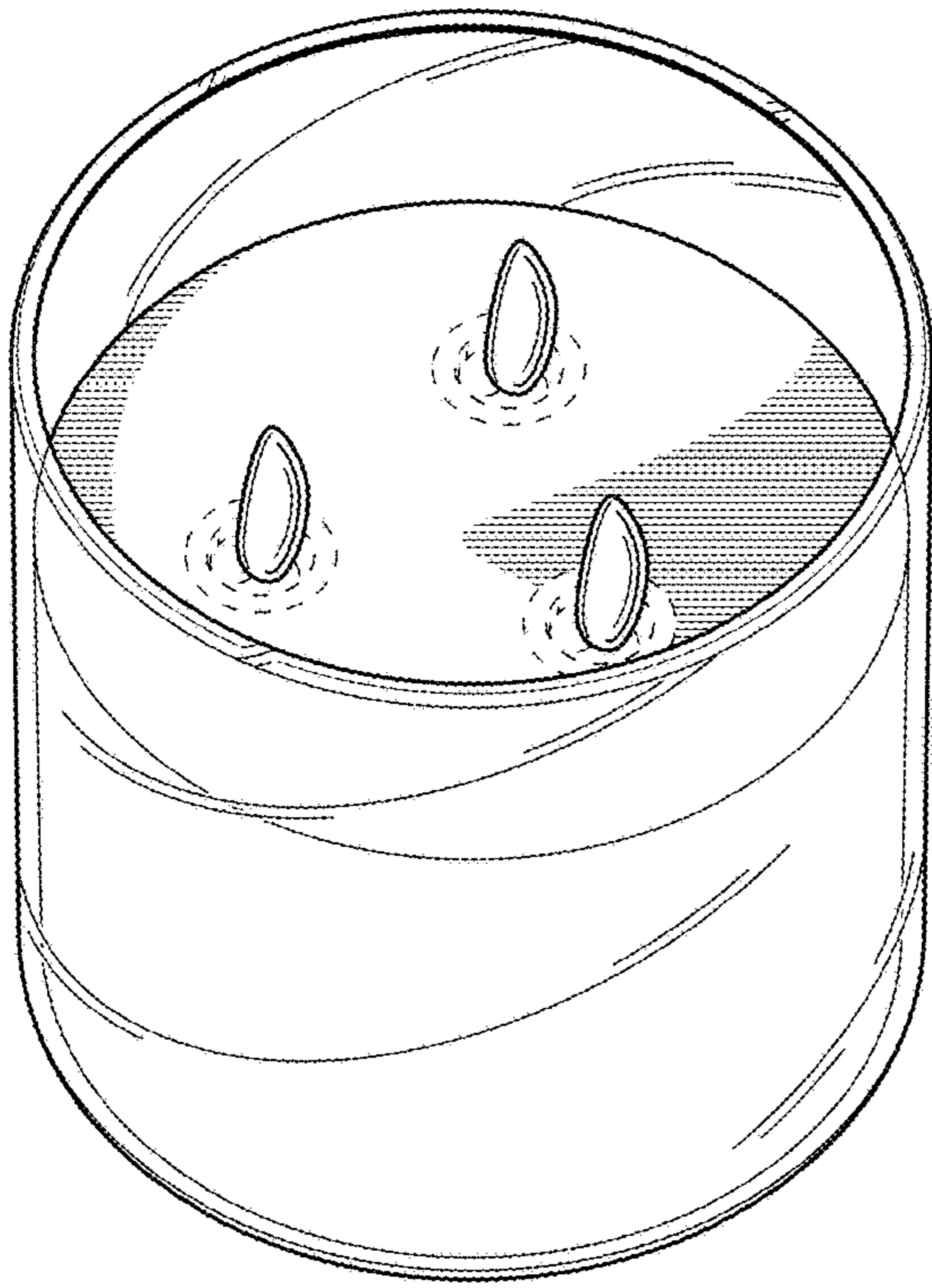


FIG. 1

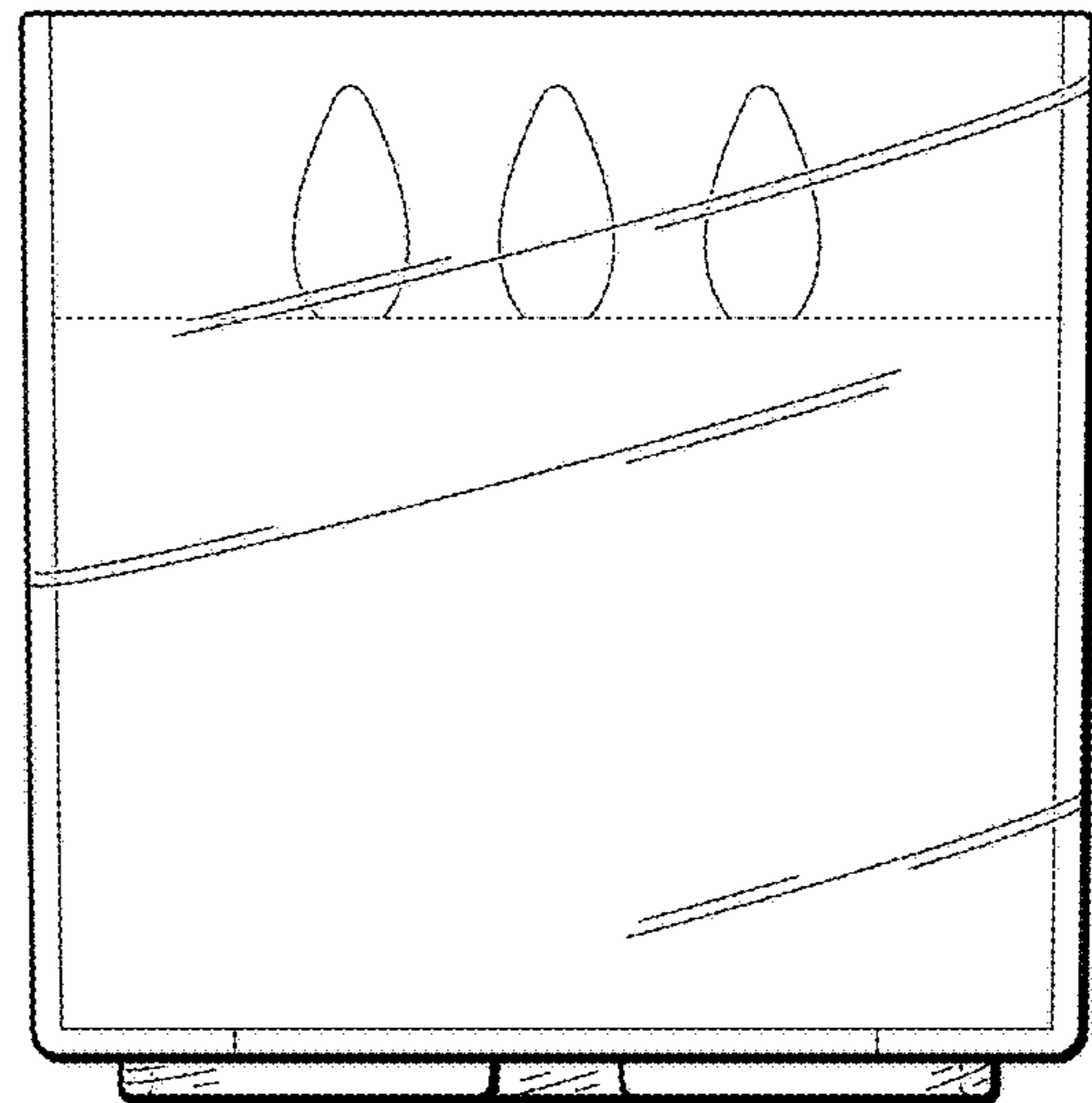


FIG. 2

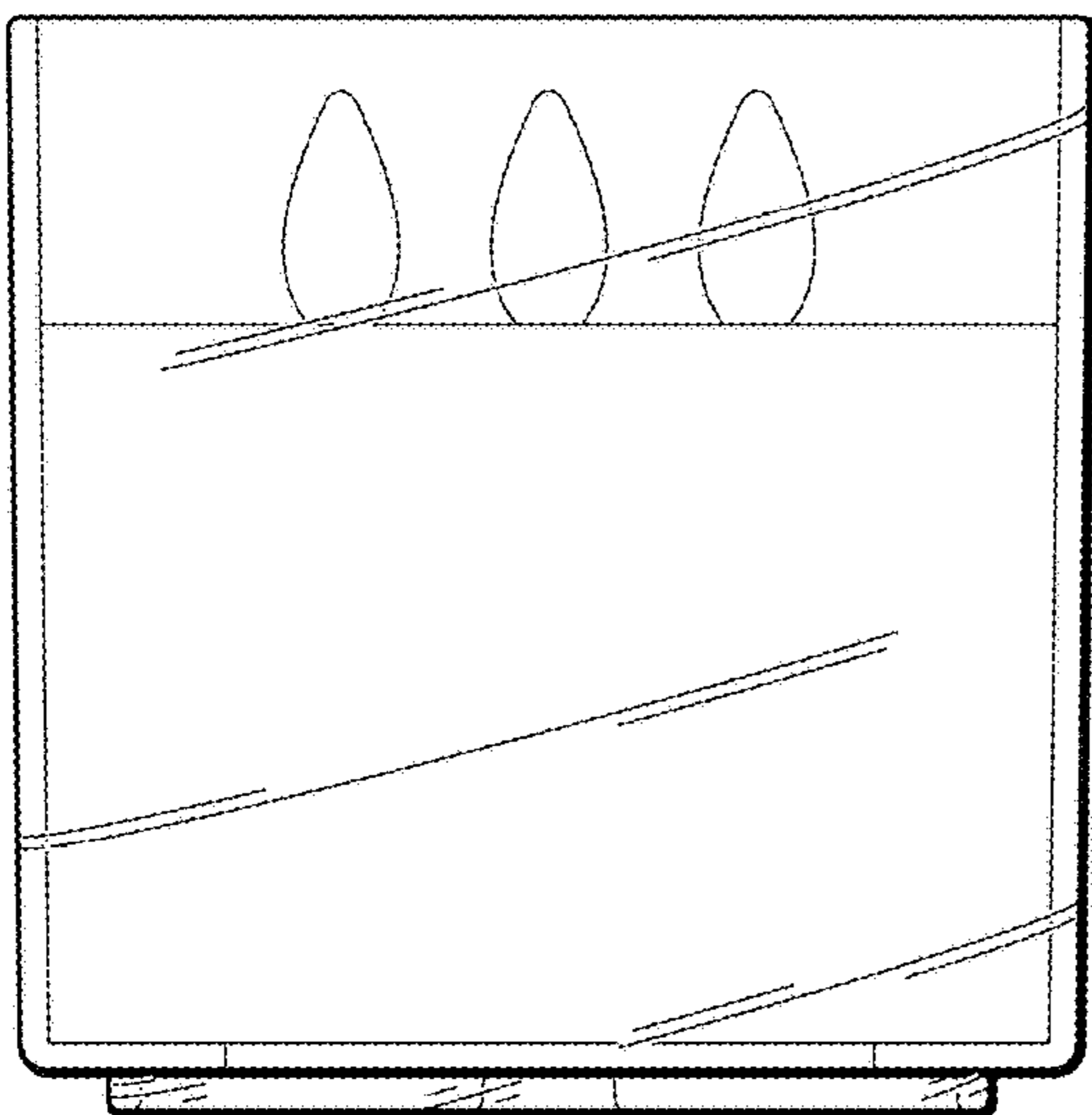


FIG. 3

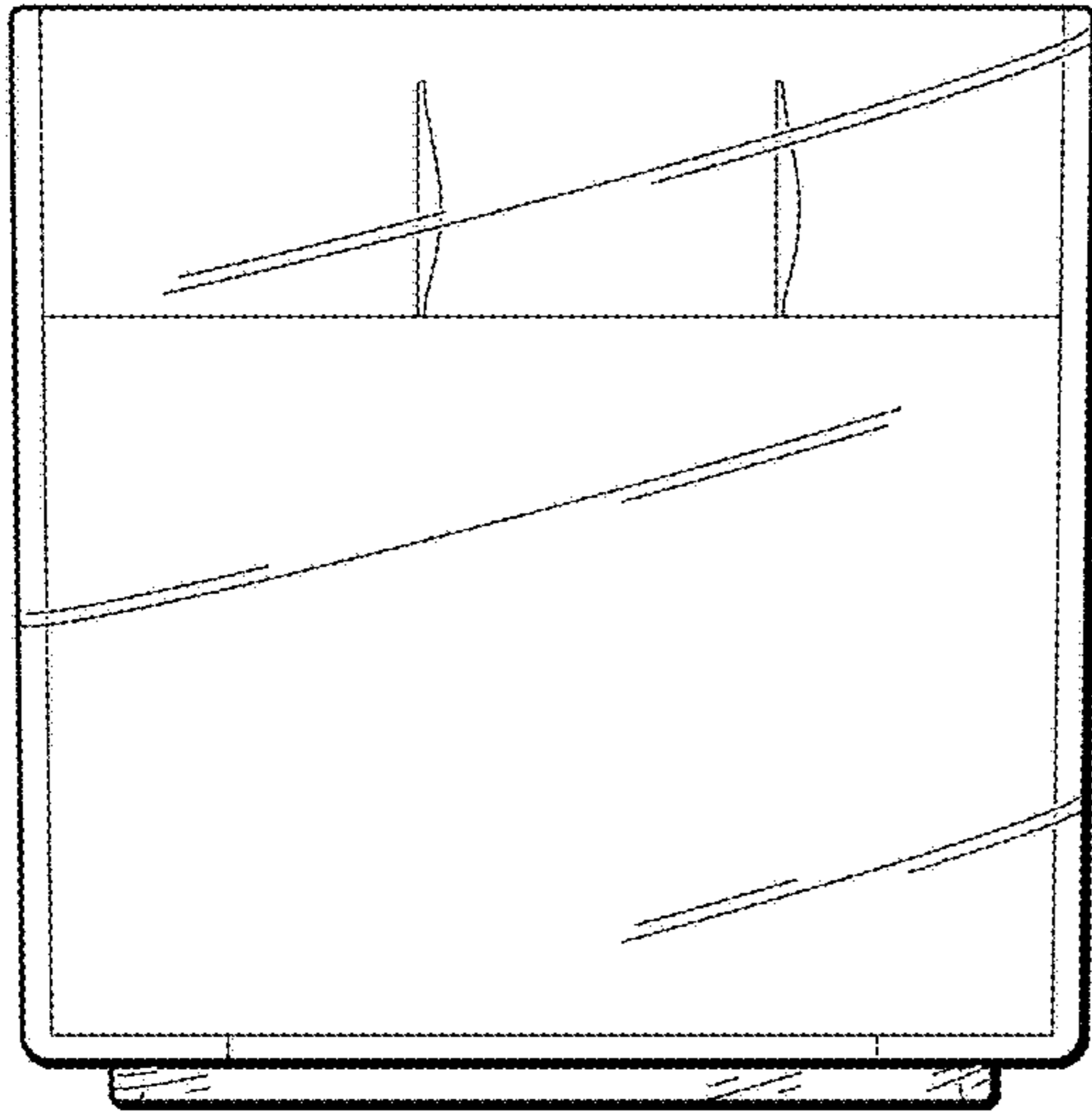


FIG. 4

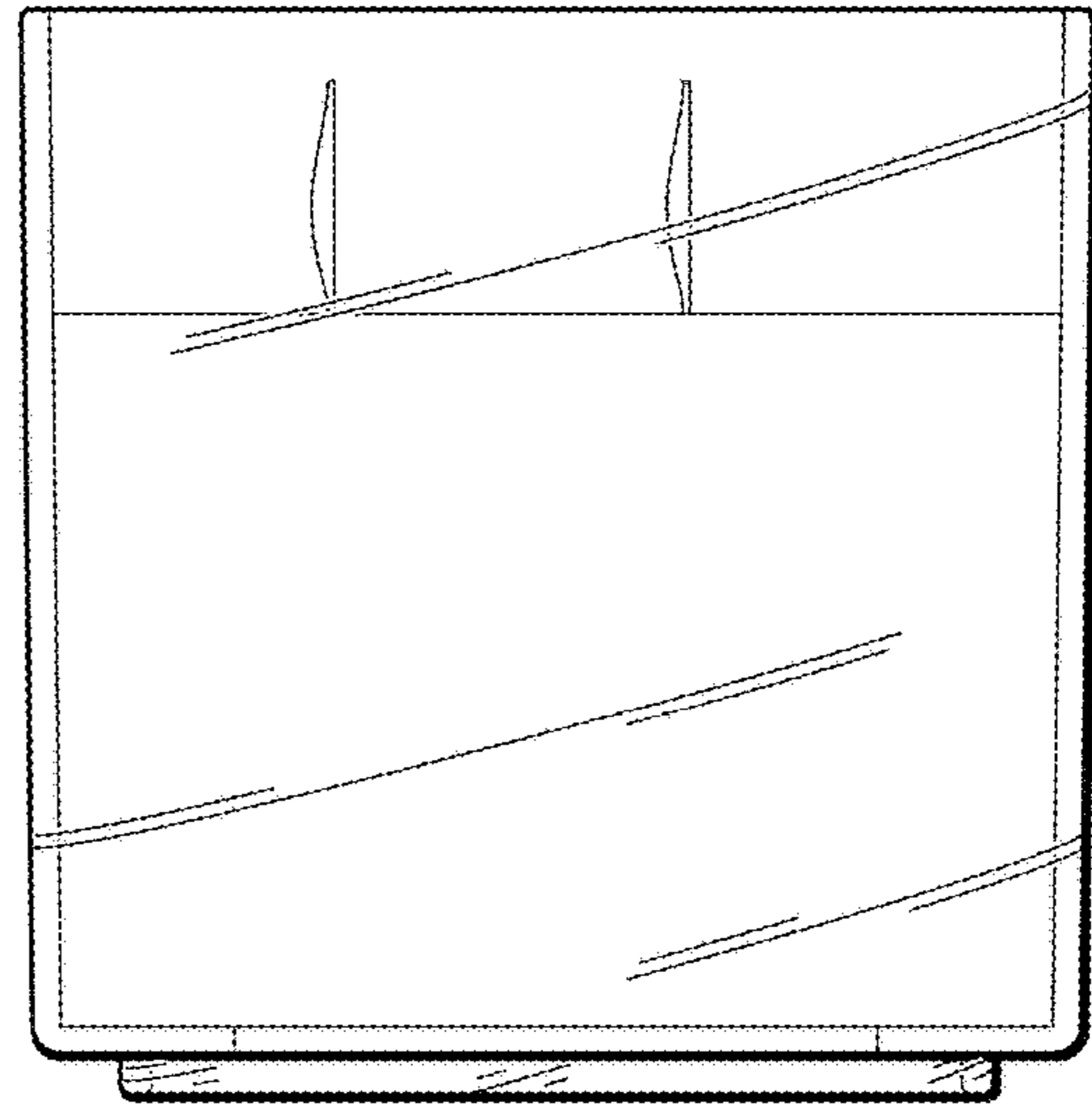


FIG. 5

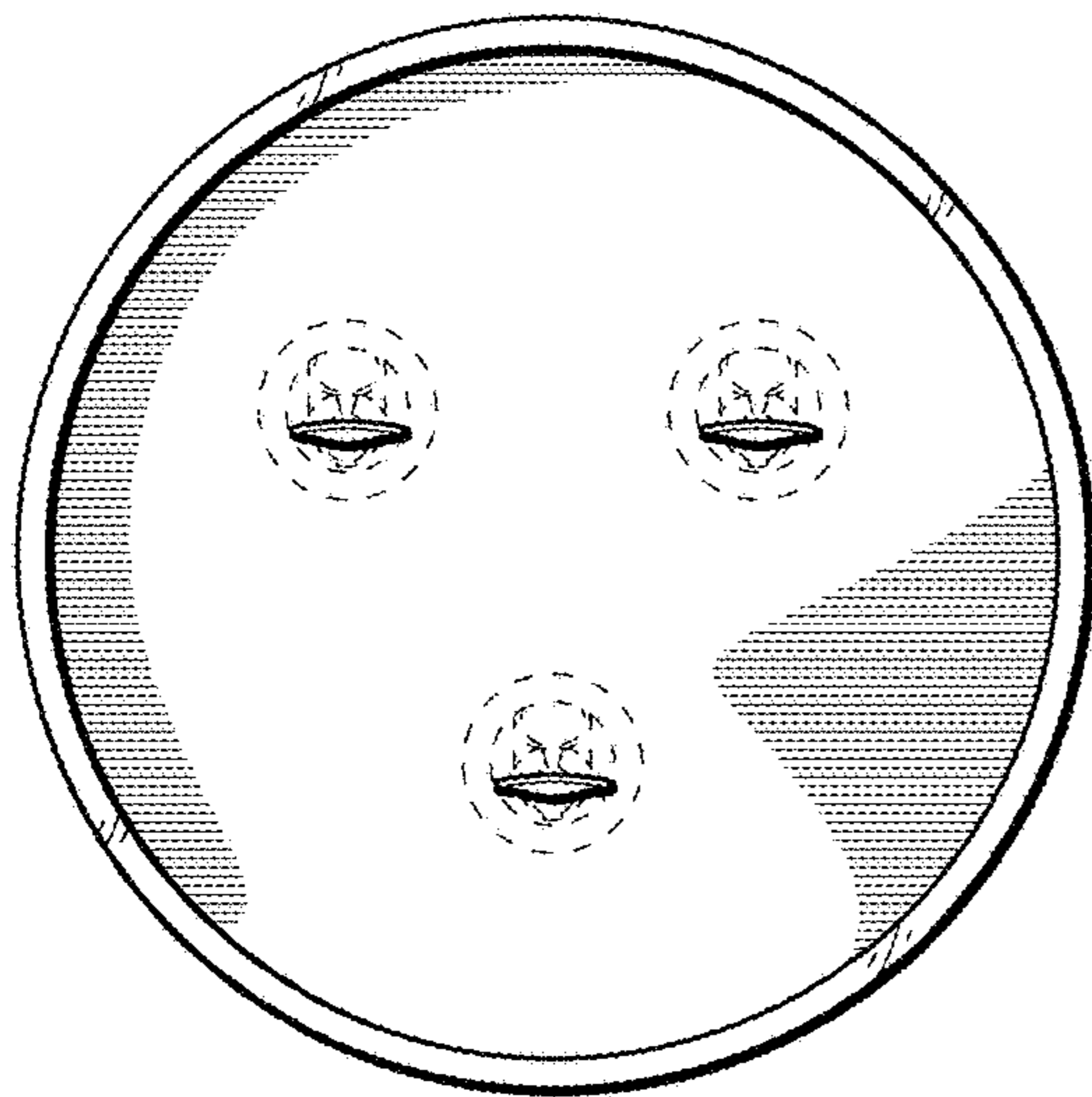


FIG. 6

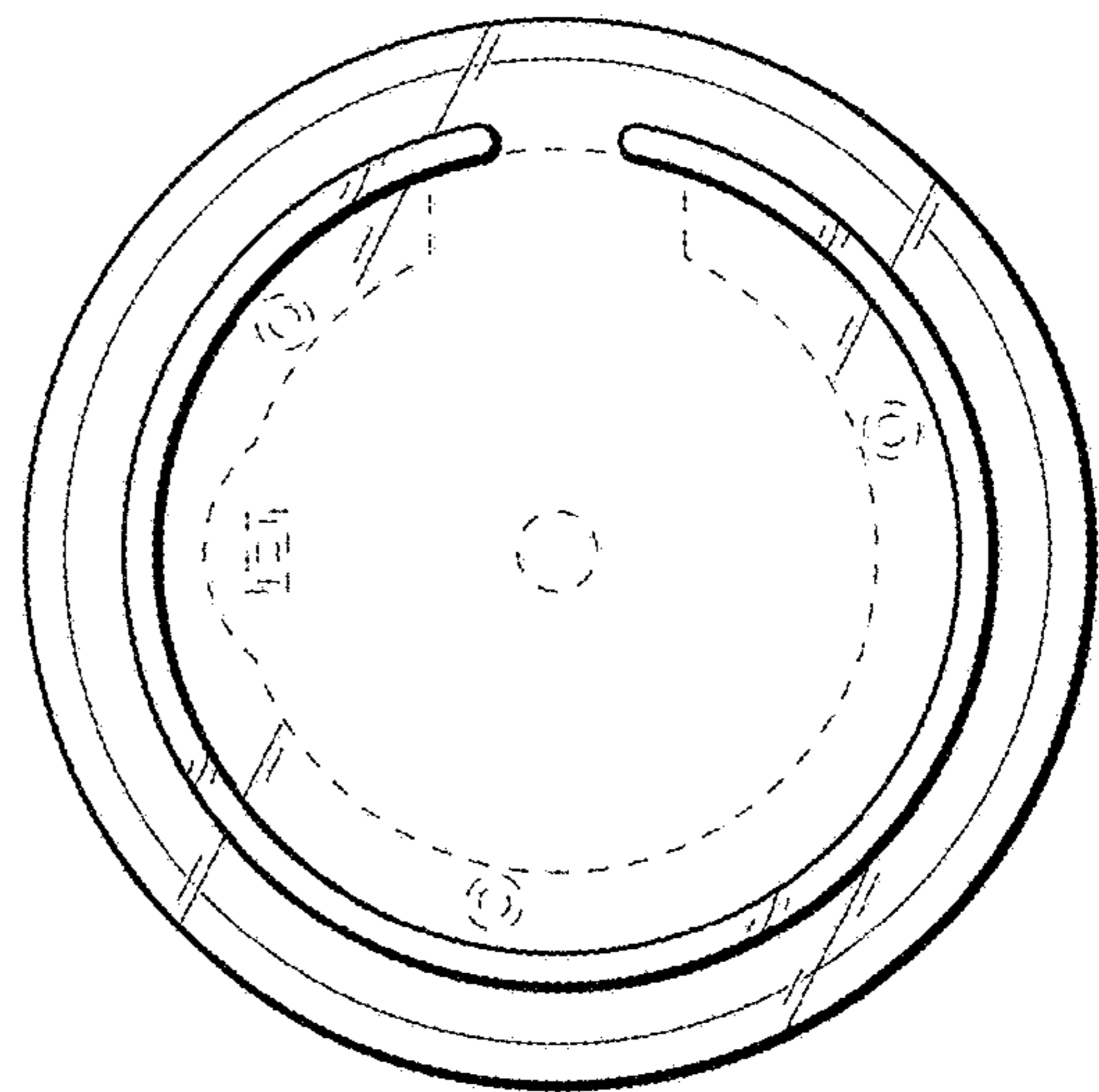


FIG. 7