



US00D781487S

(12) **United States Design Patent** (10) **Patent No.:** **US D781,487 S**
Starck (45) **Date of Patent:** **** Mar. 14, 2017**

(54) **CEILING LAMP**
(71) Applicant: **FLOS S.P.A.**, Bovezzo (IT)
(72) Inventor: **Philippe Starck**, Brescia (IT)
(73) Assignee: **FLOS S.p.A.**, Bovezzo (Brescia) (IT)
(**) Term: **15 Years**
(21) Appl. No.: **35/500,416**
(22) Filed: **Oct. 5, 2015**

5,115,385 A 5/1992 Jeckie
D329,554 S 9/1992 Diffrient
D334,629 S 4/1993 Meck
D337,848 S 7/1993 Meck
D345,813 S 4/1994 Huang
D348,952 S 7/1994 Drucker
D356,052 S 3/1995 Andrau
D359,142 S 6/1995 Thun
D364,287 S 11/1995 Jurasinski
D368,547 S 4/1996 Chen
D385,641 S 10/1997 Chan
D387,921 S 12/1997 Shields
D390,990 S 2/1998 Yang
D391,004 S 2/1998 Porter
D401,004 S 11/1998 Eusterbrock

(Continued)

(80) **Hague Agreement Data**

Int. Filing Date: **Oct. 5, 2015**
Int. Reg. No.: **DM/088633**
Int. Reg. Date: **Oct. 5, 2015**
Int. Reg. Pub. Date: **Dec. 25, 2015**

OTHER PUBLICATIONS

U.S. Appl. No. 35/500,425, filed Oct. 5, 2015, Philippe Starck.
(Continued)

(30) **Foreign Application Priority Data**

Apr. 7, 2015 (IT) BS2015O0015

(51) **LOC (10) Cl.** **26-03**

(52) **U.S. Cl.**
USPC **D26/89**

(58) **Field of Classification Search**
USPC D26/72, 89, 92, 118, 128-137, 152
CPC .. F21S 6/00; F21S 6/002; F21V 21/00; F21V
21/02; F21V 23/04; F21W 2121/00;
F21W 2131/20; F21W 2131/30; F41C
27/00
See application file for complete search history.

Primary Examiner — Zenia Bennett
(74) *Attorney, Agent, or Firm* — Thomas | Horstemeyer,
LLP

(57) **CLAIM**

The ornamental design for a ceiling lamp, as shown and described.

(56) **References Cited**

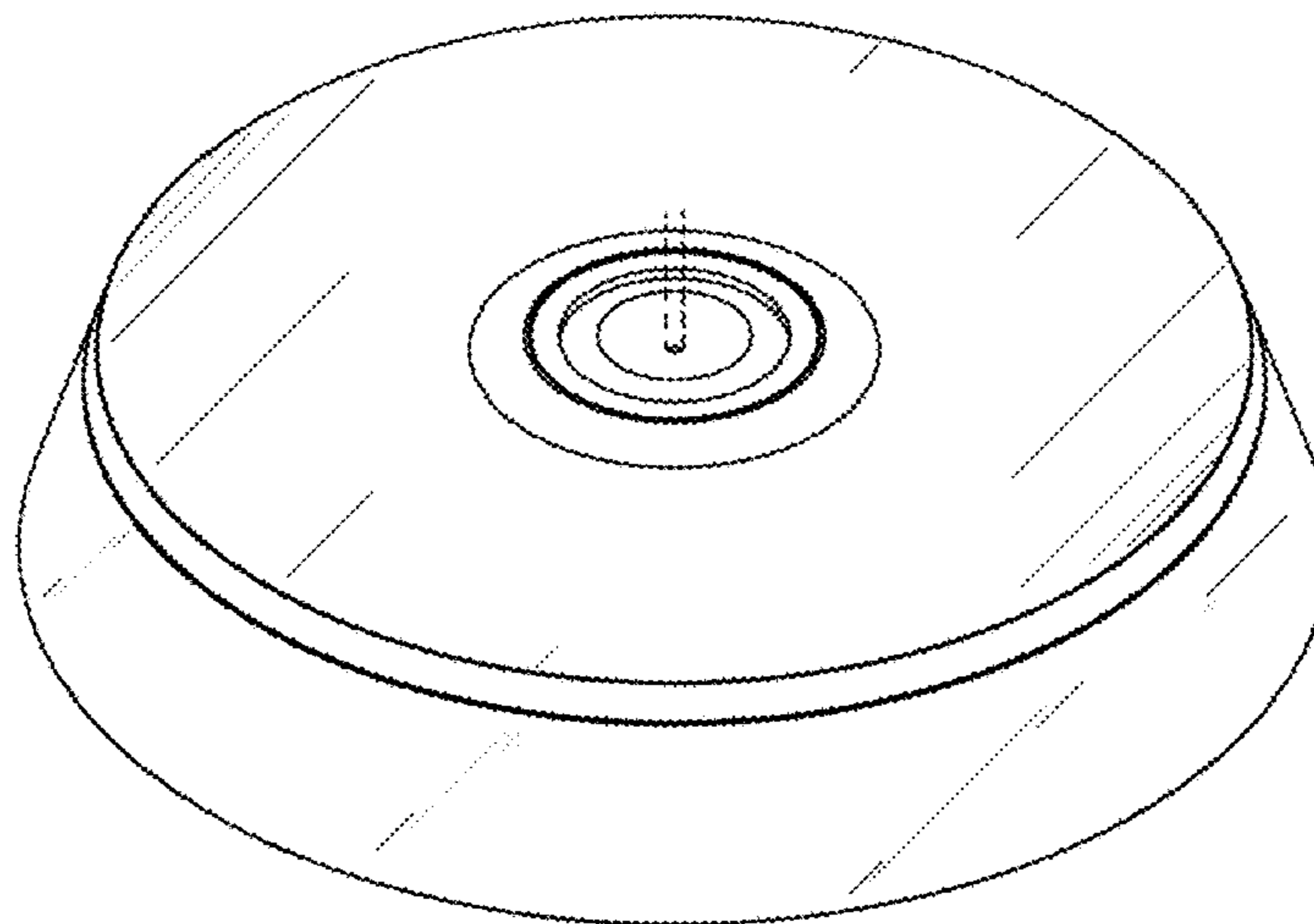
U.S. PATENT DOCUMENTS

D90,938 S 10/1933 Beck
D97,997 S 12/1935 Glatthar et al.
D250,457 S 12/1978 Fishman
D281,149 S 10/1985 Krogh

DESCRIPTION

FIG. 1.1 is a perspective view;
FIG. 1.2 is a bottom perspective view;
FIG. 1.3 is a right side elevation view;
FIG. 1.4 is a left side elevation view;
FIG. 1.5 is a top plan view;
FIG. 1.6 is a bottom plan view.
The broken lines in the drawing are for illustrative purposes only and form no part of the claimed design.
The model is a table lamp with a base having a rectangular shape and a shade having a spherical shape.

1 Claim, 6 Drawing Sheets



(56)

References Cited

U.S. PATENT DOCUMENTS

D412,593 S 8/1999 Lin
 D413,999 S 9/1999 Diaz-Azcuy
 D414,289 S 9/1999 Diaz-Azcuy
 D426,667 S 6/2000 Kaviani
 D429,658 S 8/2000 Biagi
 D447,649 S 9/2001 Mason
 6,419,649 B1 7/2002 Klein
 D465,878 S 11/2002 Hsu
 D473,595 S 4/2003 Fisher
 D480,827 S 10/2003 Hsieh
 D484,636 S 12/2003 Hsieh
 D489,637 S 5/2004 Zavlenski
 D496,181 S 9/2004 Maness
 D509,018 S 8/2005 Barbeta
 D509,019 S 8/2005 Castro
 D512,175 S 11/2005 Santachiara
 D525,739 S 7/2006 Wu
 D543,732 S 6/2007 Alter Molina
 D556,938 S 12/2007 Russello
 D560,025 S 1/2008 Shulem
 D560,026 S 1/2008 Shulem
 D564,263 S 3/2008 D'Onofrio
 D570,030 S 5/2008 Starck
 D571,575 S 6/2008 Hunter
 D588,302 S 3/2009 Chen
 D590,092 S 4/2009 Starck
 D602,990 S 10/2009 Magera
 D604,454 S 11/2009 Majidi
 D606,236 S 12/2009 Sabernig
 D610,739 S 2/2010 Jourdan
 D611,185 S 3/2010 Jourdan
 D611,737 S 3/2010 Miller
 D612,564 S 3/2010 Comley
 D625,039 S 10/2010 Citterio
 D629,633 S 12/2010 Aldred
 D641,903 S 7/2011 Nam
 D646,837 S 10/2011 Yu
 D650,510 S 12/2011 Jensen
 D652,555 S 1/2012 Palese

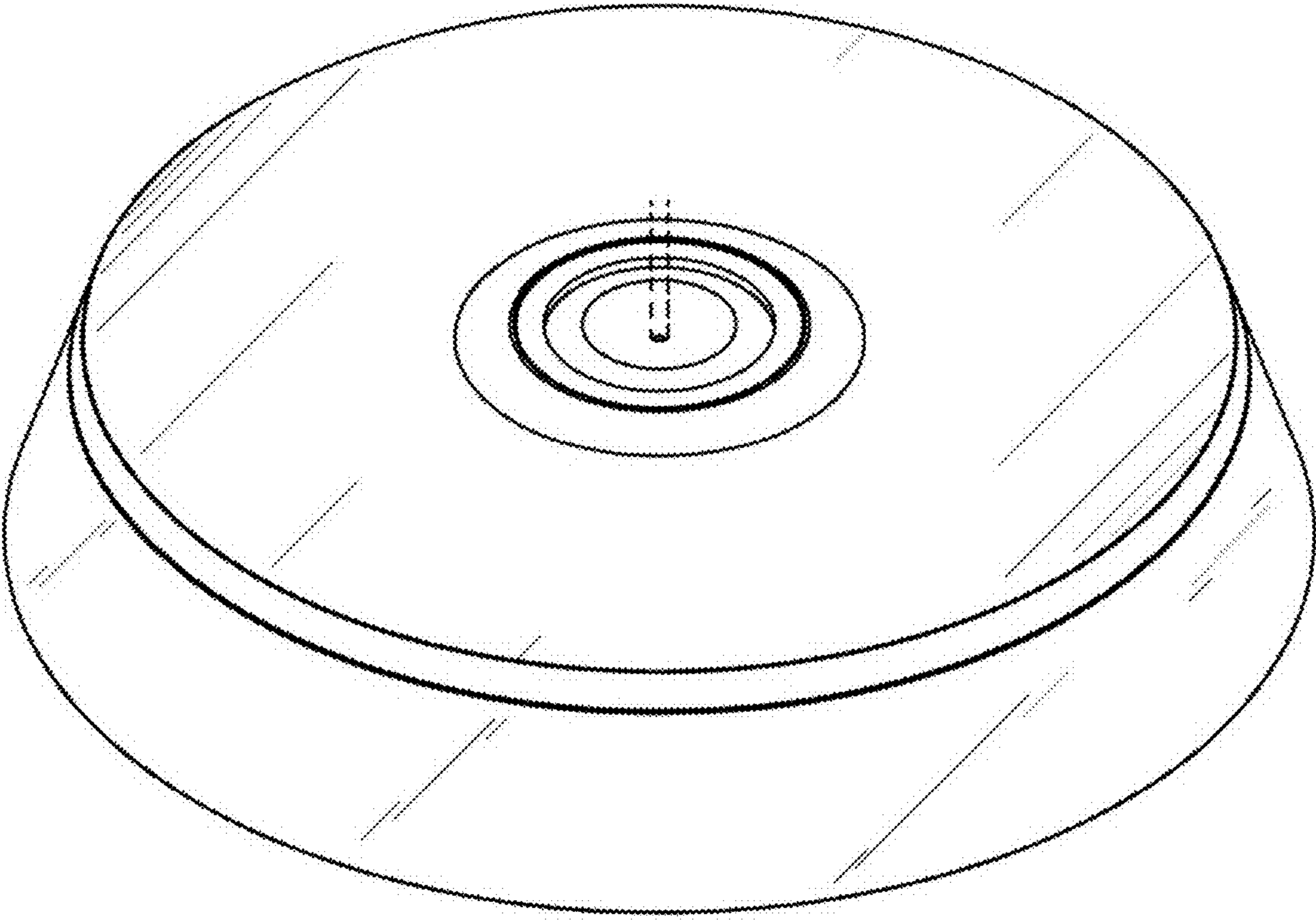
D662,005 S 6/2012 Bennett
 D662,648 S 6/2012 Whiting
 D670,424 S 11/2012 Lee
 D671,772 S 12/2012 Lee
 D673,703 S 1/2013 Davies
 D681,867 S 5/2013 Wegger
 D683,975 S 6/2013 Starck
 D696,883 S 1/2014 Krusin
 D697,341 S 1/2014 Fakahany
 D707,877 S * 6/2014 Turner D26/118
 D708,541 S 7/2014 Norendzayan
 D710,631 S 8/2014 Pirayesh
 D719,749 S 12/2014 Hernandez
 D736,986 S * 8/2015 Hadrath D26/118
 D738,562 S 9/2015 Ellis
 D739,070 S 9/2015 Wilson
 D739,167 S 9/2015 Barber
 D740,253 S 10/2015 Jeon
 D741,536 S 10/2015 Ellis
 D744,453 S 12/2015 Ryu
 D747,229 S 1/2016 Perez
 D750,314 S * 2/2016 Hobson D26/118
 D751,246 S * 3/2016 Yao D26/118
 D761,484 S * 7/2016 Laukkanen D26/118
 D762,764 S 8/2016 Wilk
 D763,499 S * 8/2016 Lee D26/118
 D765,904 S 9/2016 Pouzet
 D766,493 S 9/2016 Hoshikawa
 D766,494 S 9/2016 Hoshikawa
 D766,823 S 9/2016 Wahl

OTHER PUBLICATIONS

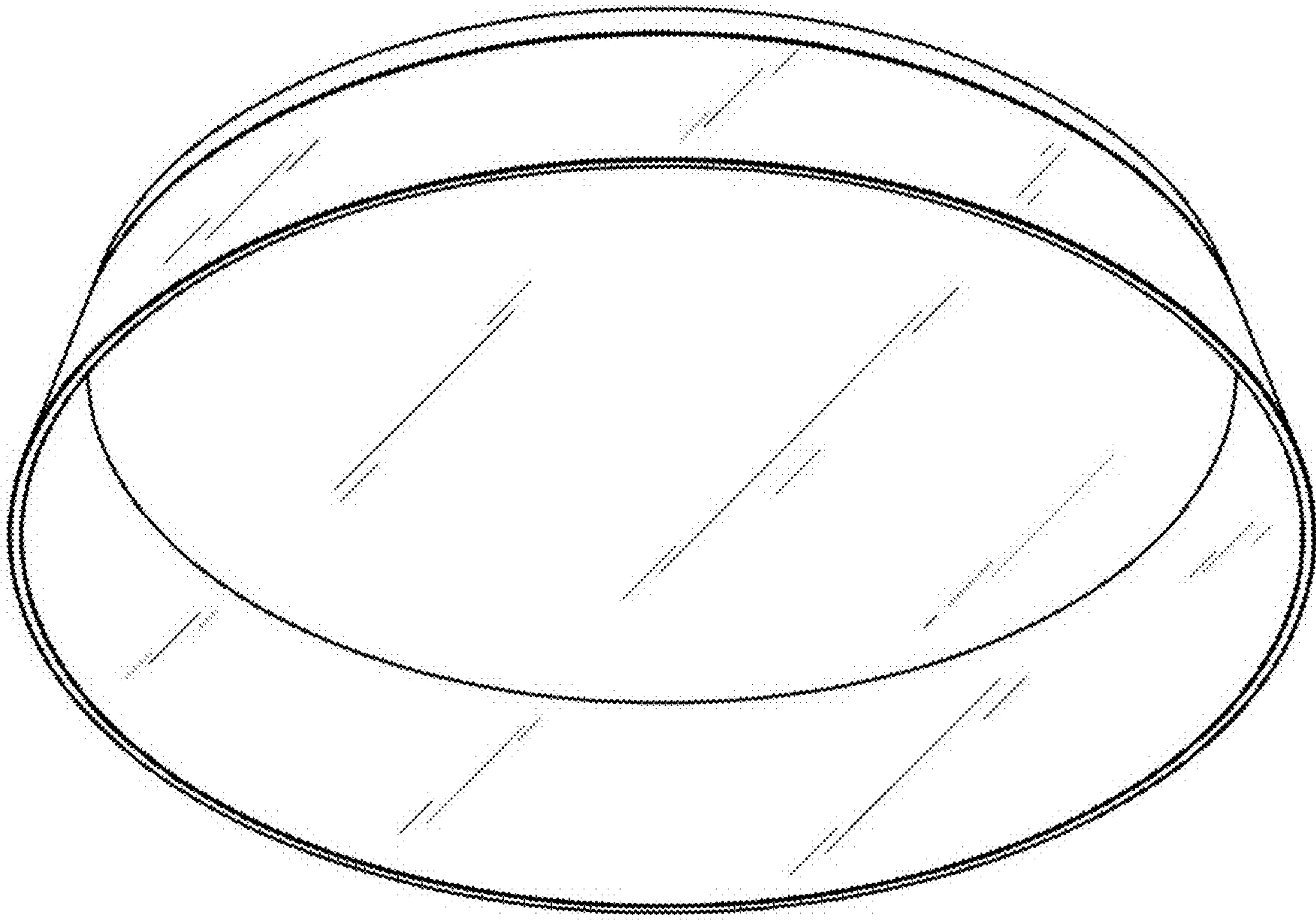
U.S. Appl. No. 35/500,418, filed Oct. 5, 2015, Philippe Starck.
 U.S. Appl. No. 35/500,420, filed Oct. 5, 2015, Philippe Starck.
 U.S. Appl. No. 35/500,422, filed Oct. 5, 2015, Philippe Starck.
 U.S. Appl. No. 35/500,424, filed Oct. 5, 2015, Philippe Starck.
 U.S. Appl. No. 35/500,417, filed Oct. 5, 2015, Philippe Starck.
 U.S. Appl. No. 35/500,414, filed Oct. 5, 2015, Philippe Starck.
 U.S. Appl. No. 35/500,421, filed Oct. 5, 2015, Philippe Starck.

* cited by examiner

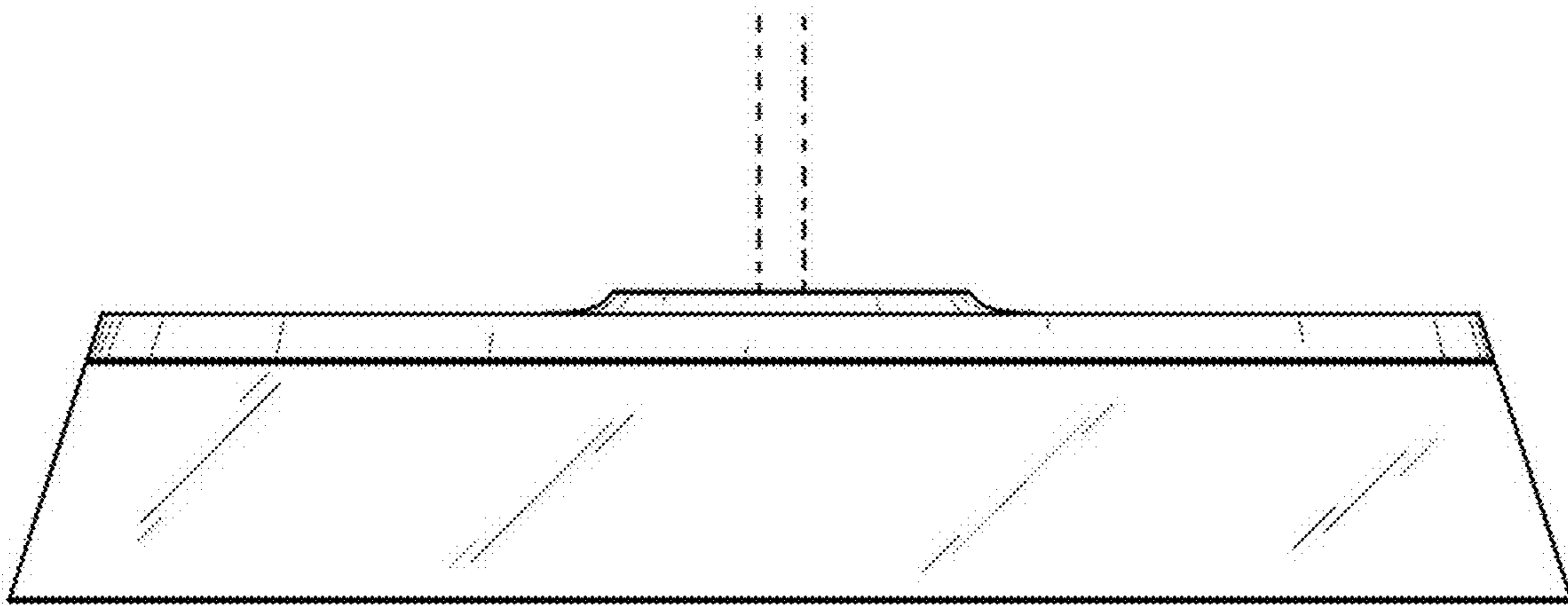
1.1



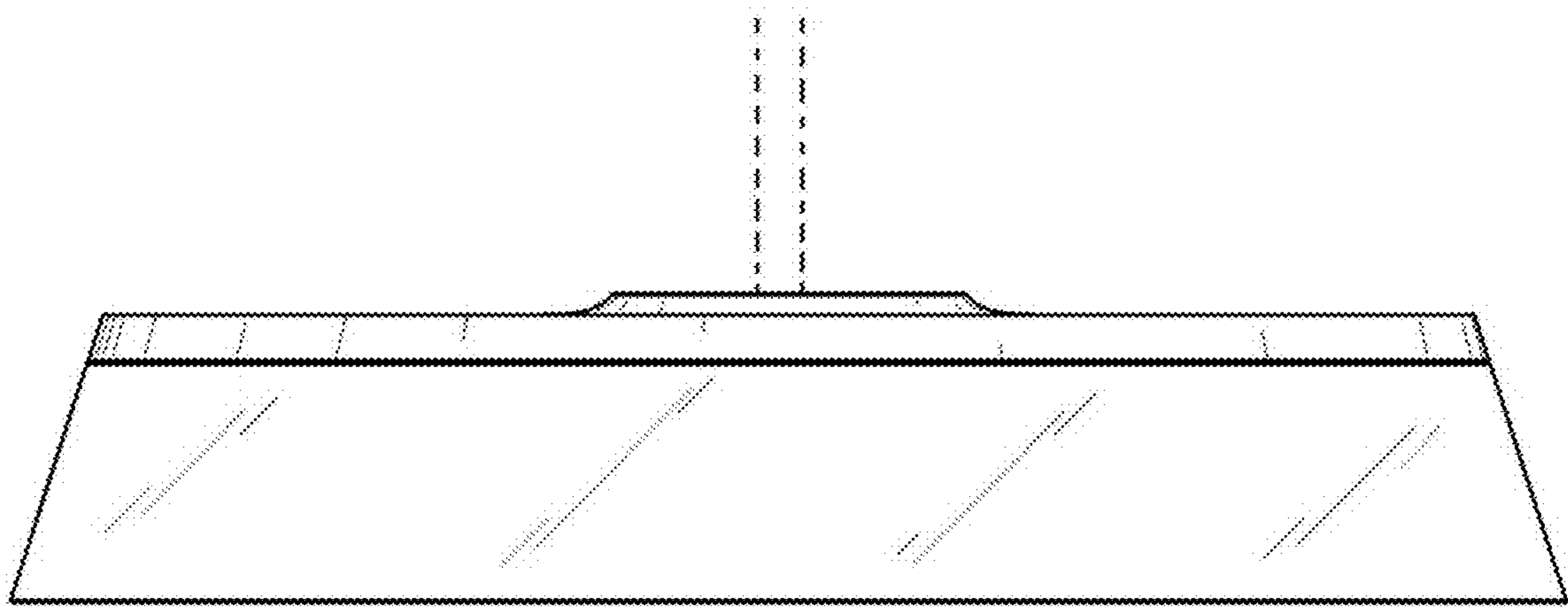
1.2



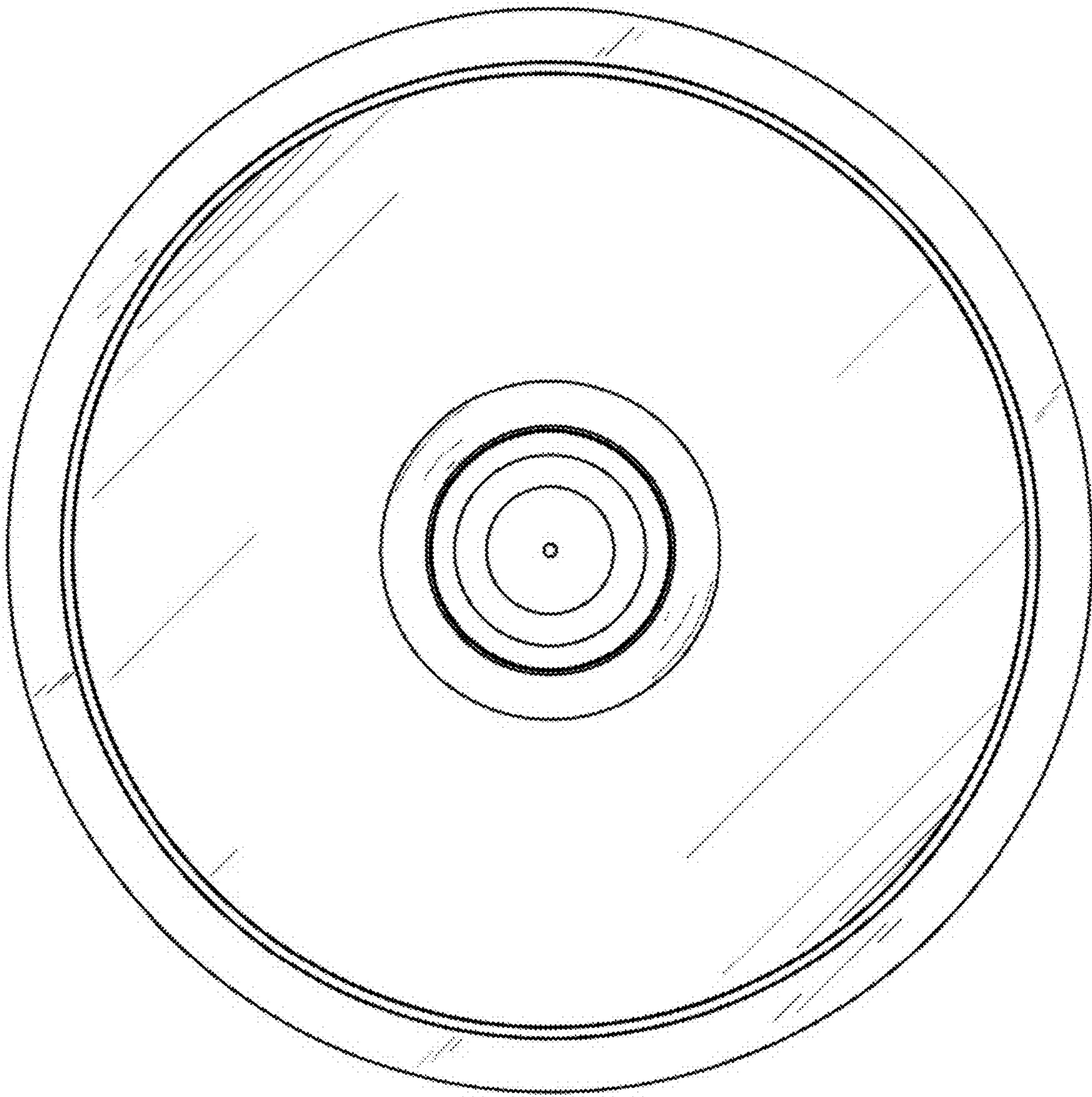
1.3



1.4



1.5



1.6

