



US00D781482S

(12) **United States Design Patent**
McCracken, Jr. et al.

(10) **Patent No.:** **US D781,482 S**

(45) **Date of Patent:** **** Mar. 14, 2017**

(54) **LUMINAIRE**

(71) Applicant: **LSI Industries, Inc.**, Cincinnati, OH (US)

(72) Inventors: **Edward R. McCracken, Jr.**, Cincinnati, OH (US); **Jonathan M. Hermansen**, Maineville, OH (US); **James G. Vanden Eynden**, Hamilton, OH (US); **John D. Boyer**, Lebanon, OH (US)

(73) Assignee: **LSI Industries, Inc.**, Cincinnati, OH (US)

(**) Term: **15 Years**

(21) Appl. No.: **29/549,746**

(22) Filed: **Dec. 28, 2015**

(51) **LOC (10) Cl.** **26-05**

(52) **U.S. Cl.**
USPC **D26/71**

(58) **Field of Classification Search**
USPC D26/63, 71, 92
CPC .. F21S 8/033; F21S 8/036; F21S 8/085; F21S 8/086; F21V 21/30; F21W 2111/02
See application file for complete search history.

(56) **References Cited**

U.S. PATENT DOCUMENTS

D206,240 S *	11/1966	Rutter	D26/71
D391,659 S *	3/1998	Gaskins	D26/71
D570,516 S *	6/2008	Orellana	D26/71
7,420,811 B2 *	9/2008	Chan	F21V 29/004 361/707
D622,433 S *	8/2010	Waters	D26/71
D652,978 S *	1/2012	Boissevain	D26/71
D663,462 S *	7/2012	Butler	D26/71
D672,492 S *	12/2012	Butler	D26/71

D688,404 S *	8/2013	Boissevain	D26/71
D689,233 S *	9/2013	Boissevain	D26/71
D694,449 S *	11/2013	Walker	D26/63
D695,437 S *	12/2013	Johnson	D26/71
D726,947 S *	4/2015	Boyer	D26/71
D747,527 S *	1/2016	Guercio	D26/71
D749,256 S *	2/2016	Compton	D26/71
D771,856 S *	11/2016	Novak	D26/71
D771,857 S *	11/2016	Novak	D26/71

(Continued)

OTHER PUBLICATIONS

Dow Corning Corporation, Form No. 11-3371a-01 Insert M, "Modular Optics", 2013, 2 pages.

(Continued)

Primary Examiner — Clare E Heflin

(74) *Attorney, Agent, or Firm* — Wood Herron & Evans LLP

(57) **CLAIM**

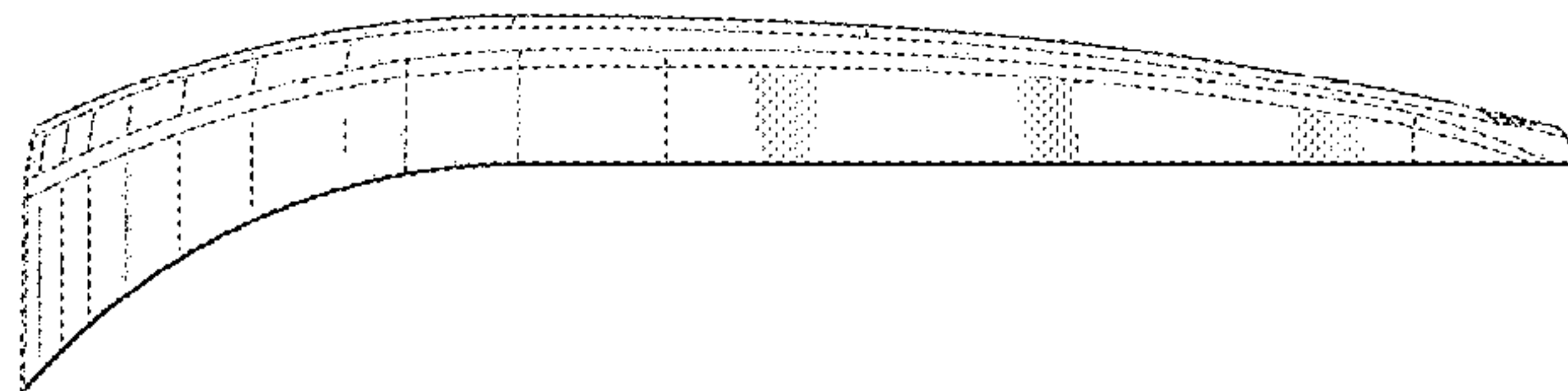
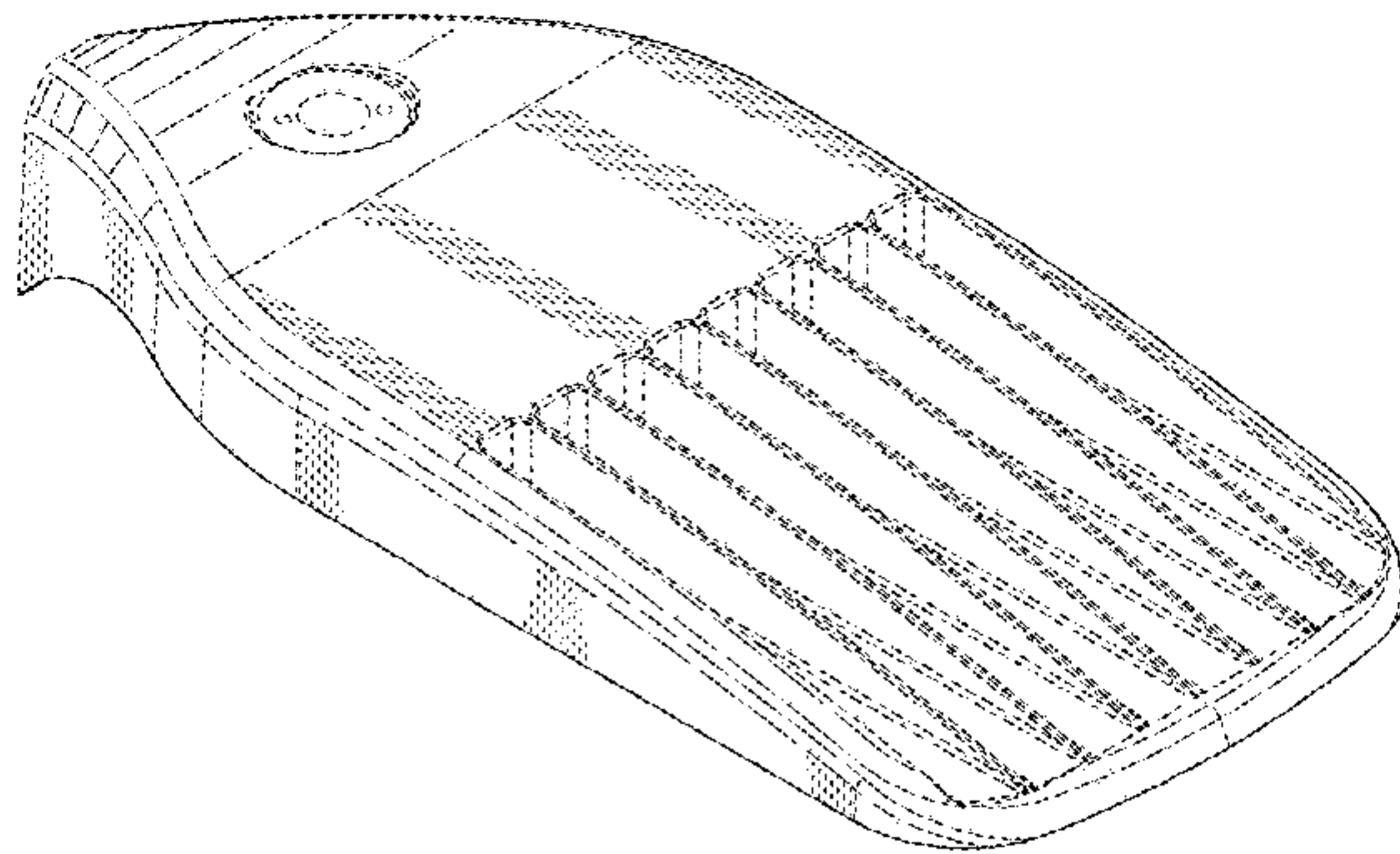
The ornamental design for the luminaire, as shown and described.

DESCRIPTION

FIG. 1 is a bottom front isometric view of our new luminaire design;
FIG. 2 is a top front isometric view thereof;
FIG. 3 is a bottom plan view thereof;
FIG. 4 is a top plan view thereof;
FIG. 5 is a front elevation view thereof;
FIG. 6 is a rear elevation view thereof;
FIG. 7 is a left side elevation view thereof; and,
FIG. 8 is a right side elevation view thereof.

The broken dash lines shown in the drawing views represent non-claimed subject matter, and neither the lines themselves nor anything within the lines form any part of the claimed invention.

1 Claim, 6 Drawing Sheets



(56)

References Cited

U.S. PATENT DOCUMENTS

2004/0196653 A1* 10/2004 Clark F21S 8/086
362/183
2009/0244895 A1* 10/2009 Chen F21V 29/75
362/249.02
2009/0310381 A1* 12/2009 Chang F21V 29/004
362/555
2011/0031516 A1 2/2011 Basin et al.
2013/0027935 A1* 1/2013 Ladewig F21S 2/00
362/249.01
2013/0107528 A1 5/2013 Boyer et al.
2016/0281967 A1* 9/2016 Hunt, III F21V 21/116

OTHER PUBLICATIONS

Dow Corning Corporation, Form No. 11-3371-01 Insert K, "Mold-able Silicones for Secondary Optics Applications", 2013, 27 pages.

* cited by examiner

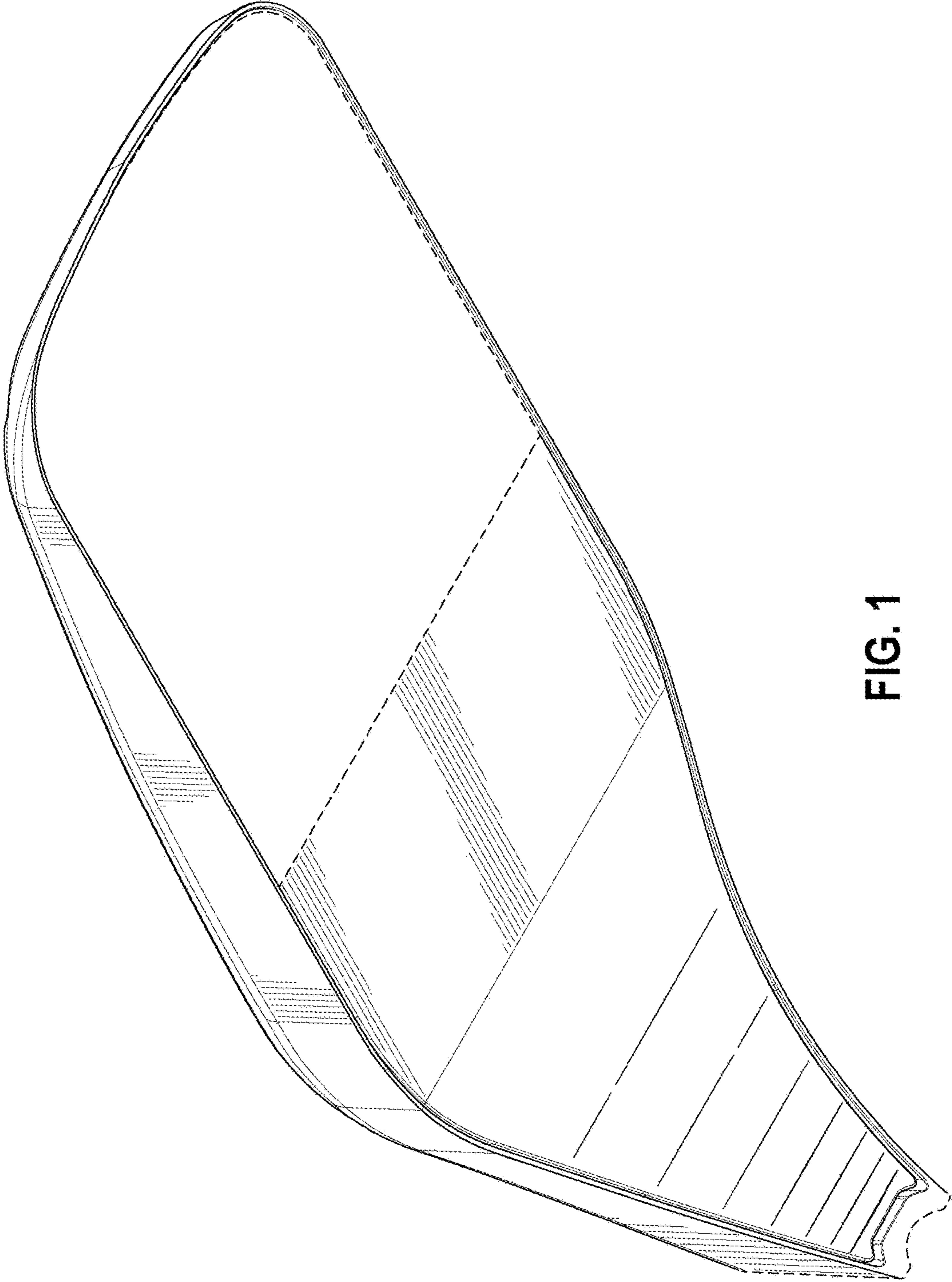


FIG. 1

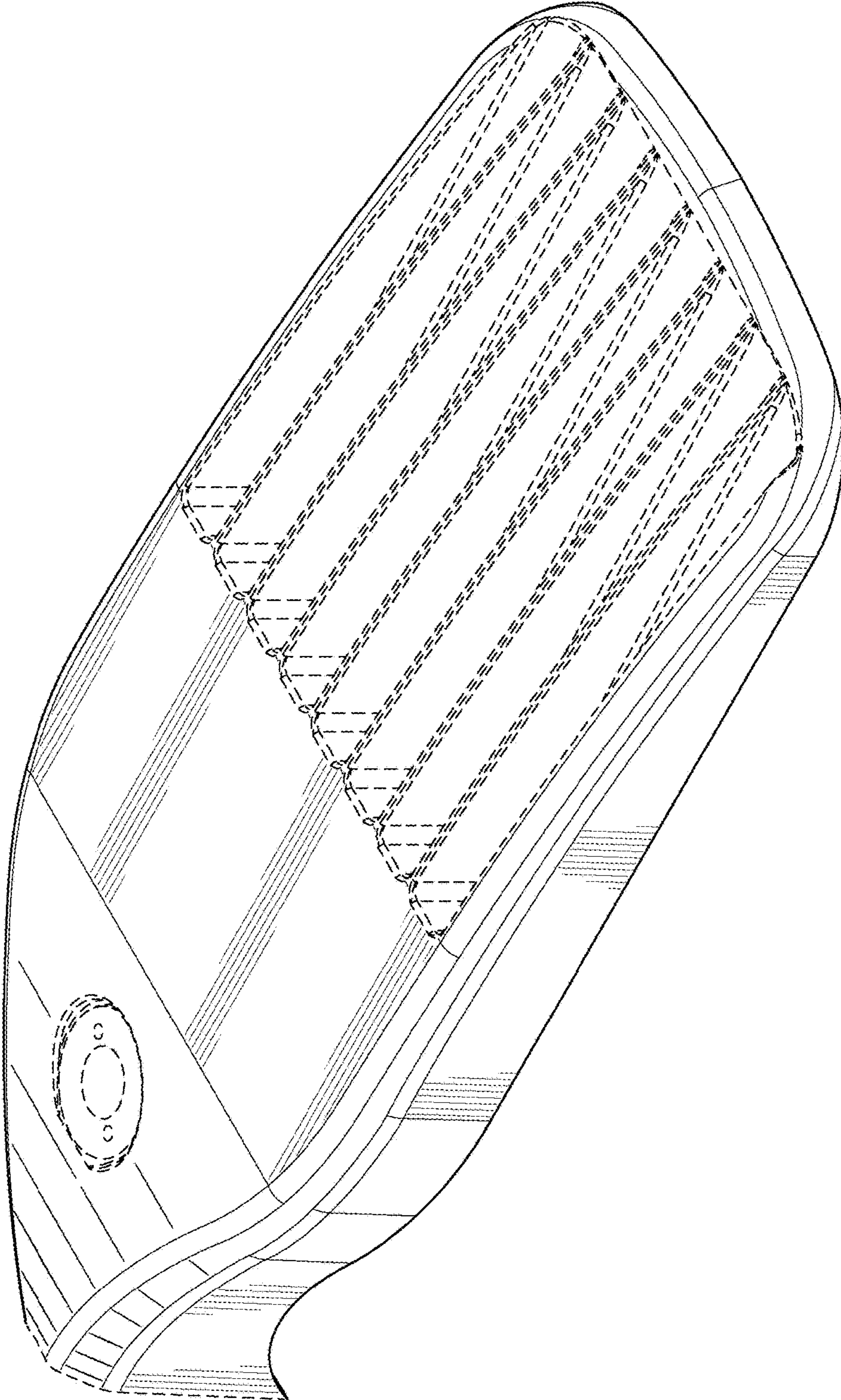


FIG. 2

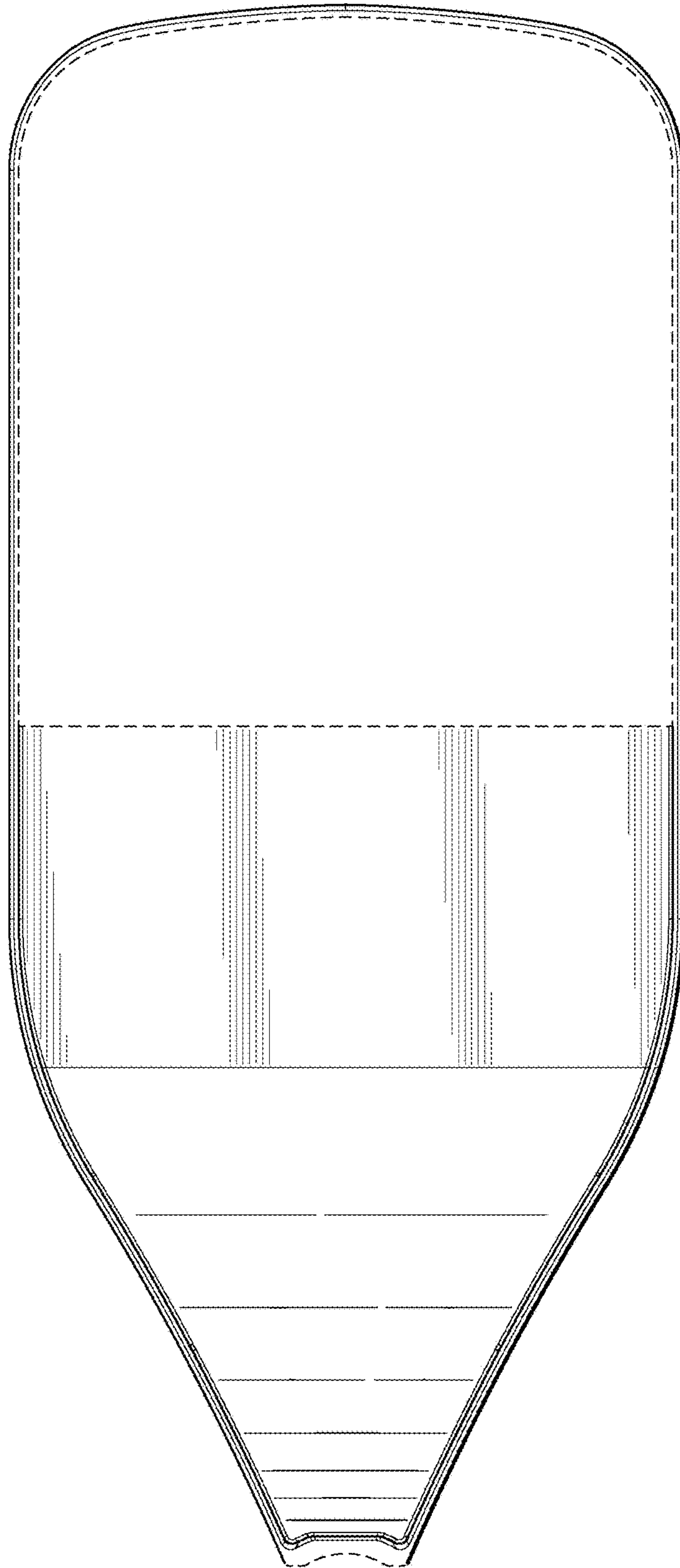


FIG. 3

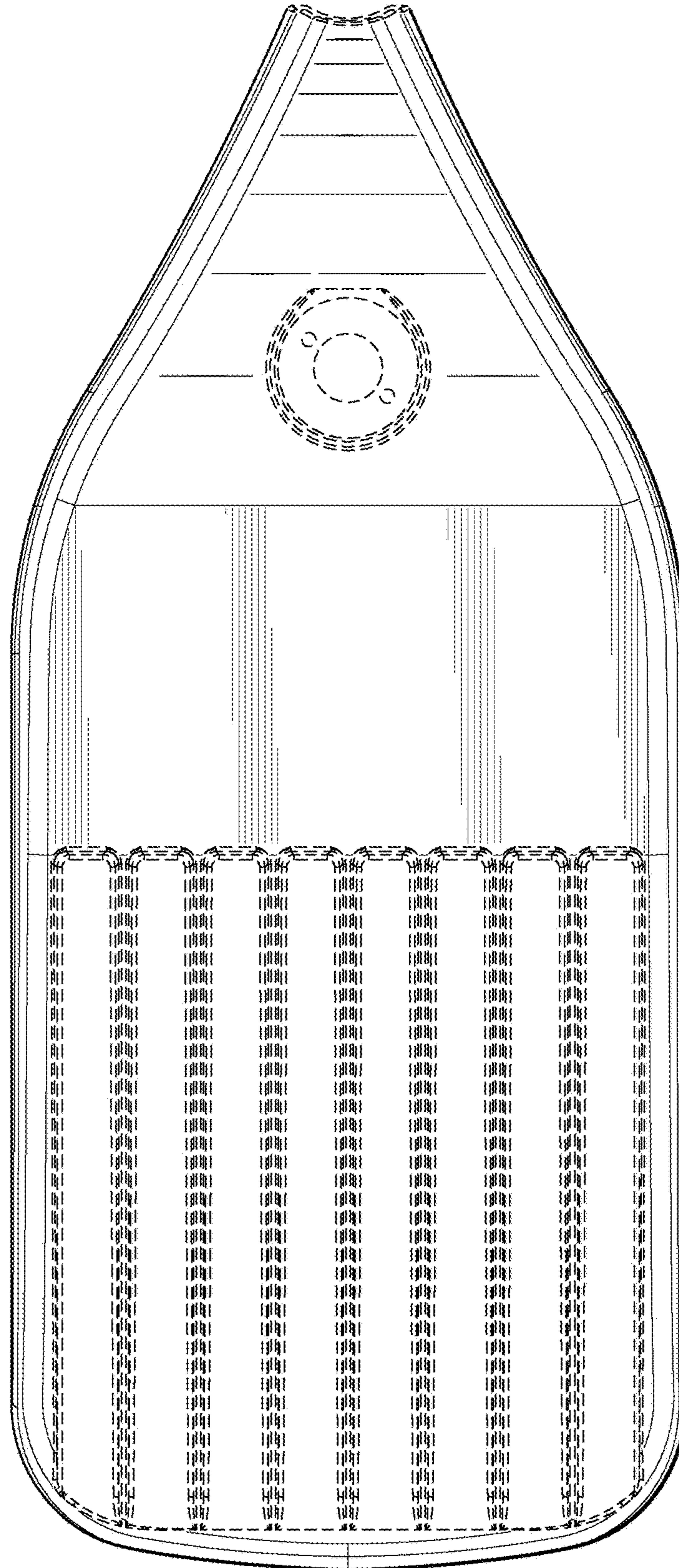


FIG. 4

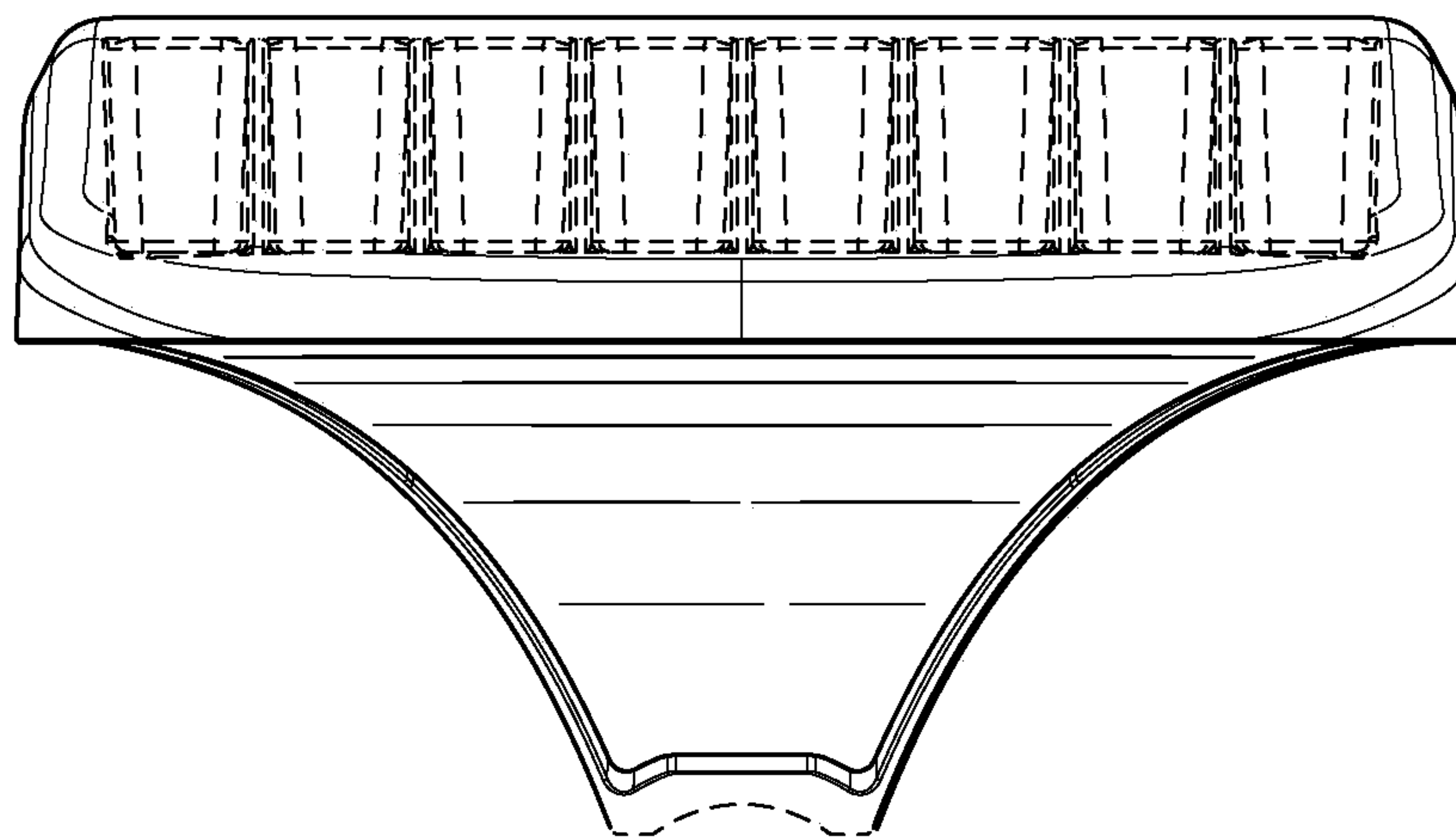


FIG. 5

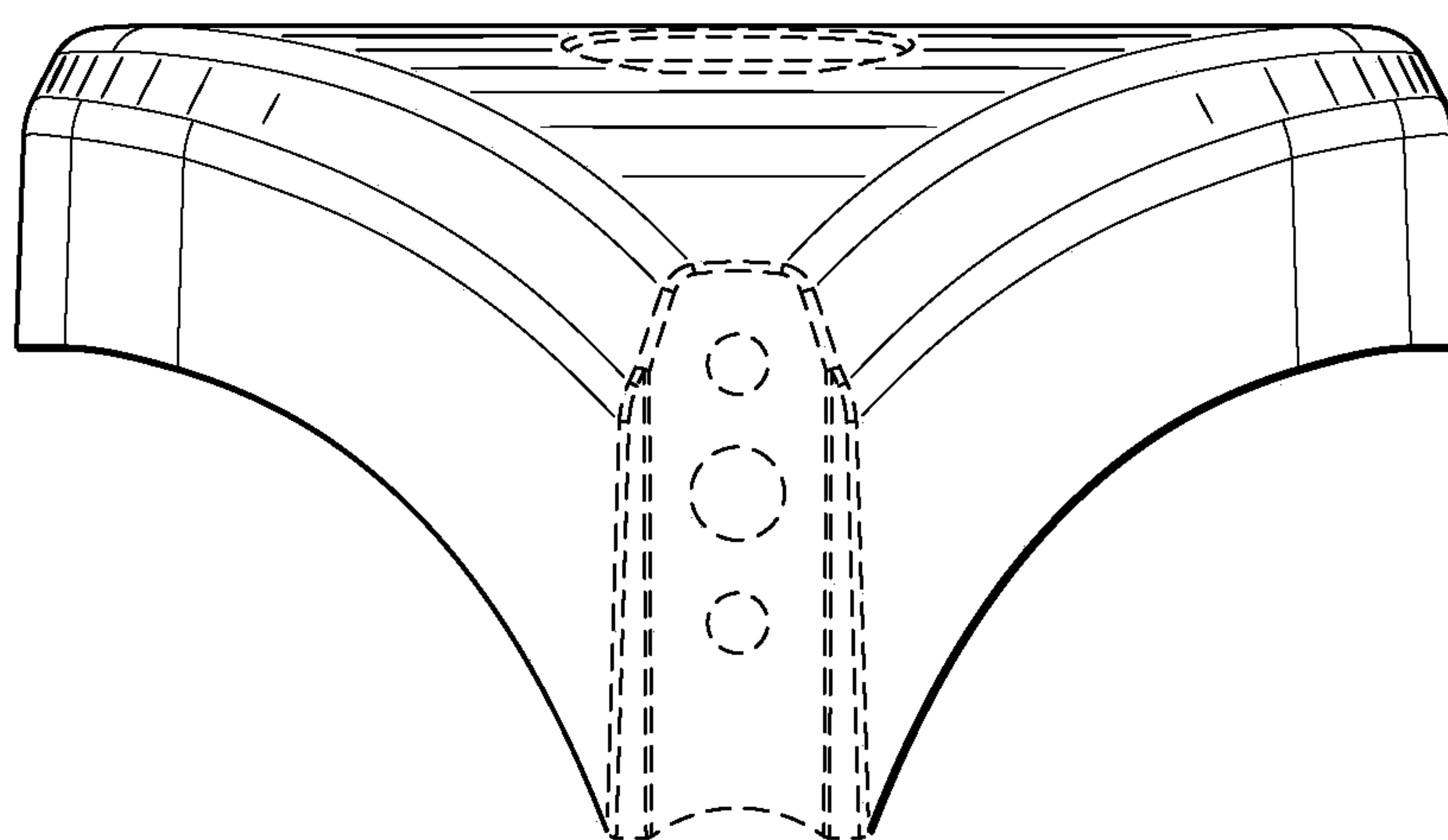


FIG. 6

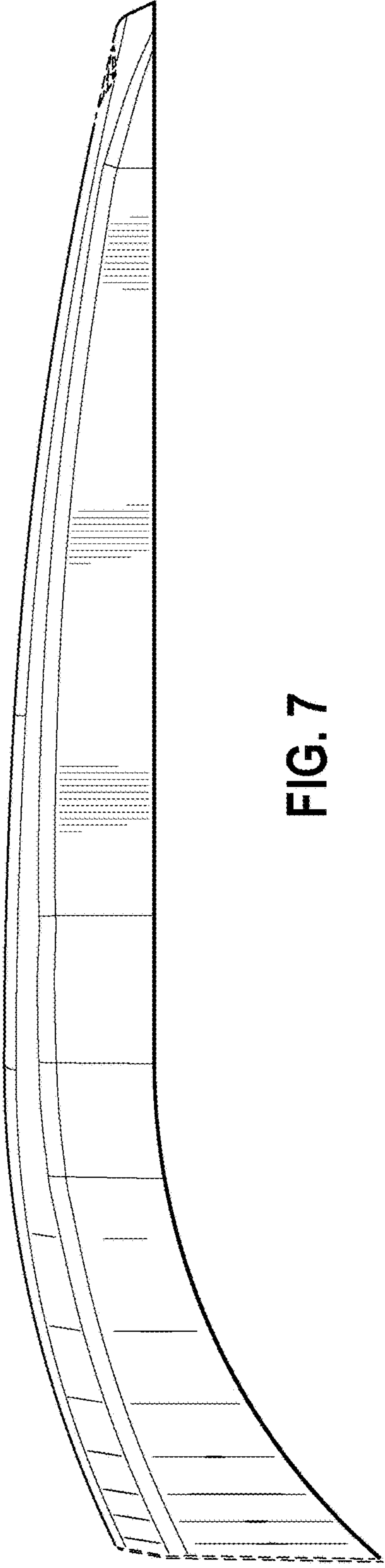


FIG. 7

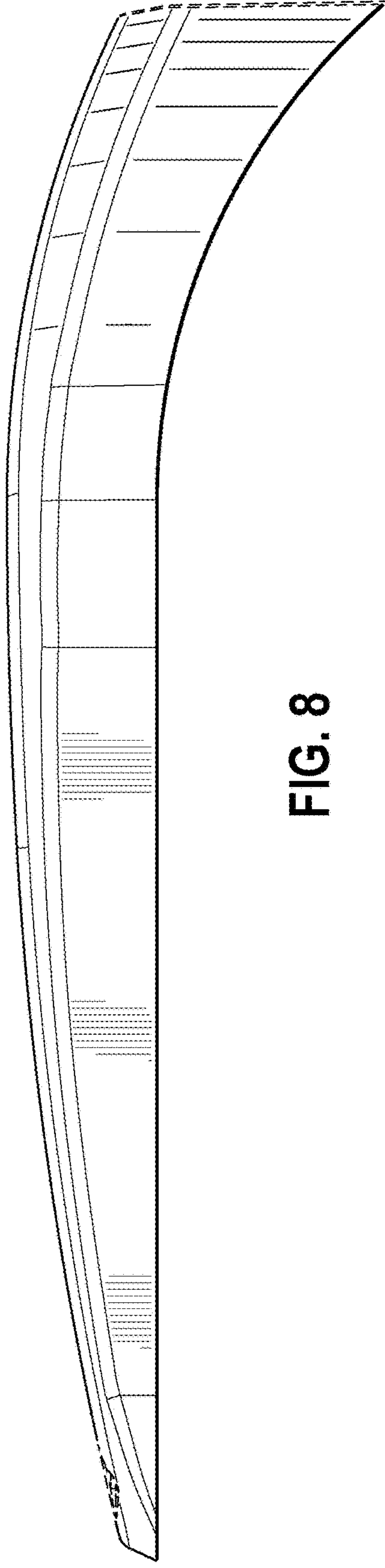


FIG. 8