



US00D781480S

(12) **United States Design Patent**
Zhan

(10) **Patent No.:** **US D781,480 S**
(45) **Date of Patent:** **** Mar. 14, 2017**

(54) **PORTABLE LIGHT**

(71) Applicant: **Shenzhen Everest Lighting Co., Ltd.**,
Shenzhen, Guangdong Province (CN)

(72) Inventor: **Shengbo Zhan**, Shenzhen (CN)

(73) Assignee: **SHENZHEN EVEREST LIGHTING CO., LTD.**, Shenzhen, Guangdong Province (CN)

(**) Term: **15 Years**

(21) Appl. No.: **29/561,910**

(22) Filed: **Apr. 20, 2016**

(30) **Foreign Application Priority Data**

Oct. 28, 2015 (CN) 2015 3 0421478

(51) **LOC (10) Cl.** **26-03**

(52) **U.S. Cl.**
USPC **D26/63**

(58) **Field of Classification Search**
USPC D26/1, 24, 61, 63, 65, 85, 92
CPC F21V 21/14; F21V 15/01; F21V 14/02;
F21V 21/30; F21V 21/00; F21V 14/00;
F21S 8/00; F21S 8/003; F21S 8/043;
F21Y 2105/001

See application file for complete search history.

(56) **References Cited**

U.S. PATENT DOCUMENTS

D375,376 S *	11/1996	Shen	D26/63
D403,455 S *	12/1998	Duennes	D26/63
D436,679 S *	1/2001	Leen	D26/65
D761,473 S *	7/2016	Zhang	D26/63

* cited by examiner

Primary Examiner — Brian N Vinson

(74) *Attorney, Agent, or Firm* — Cheng-Ju Chiang

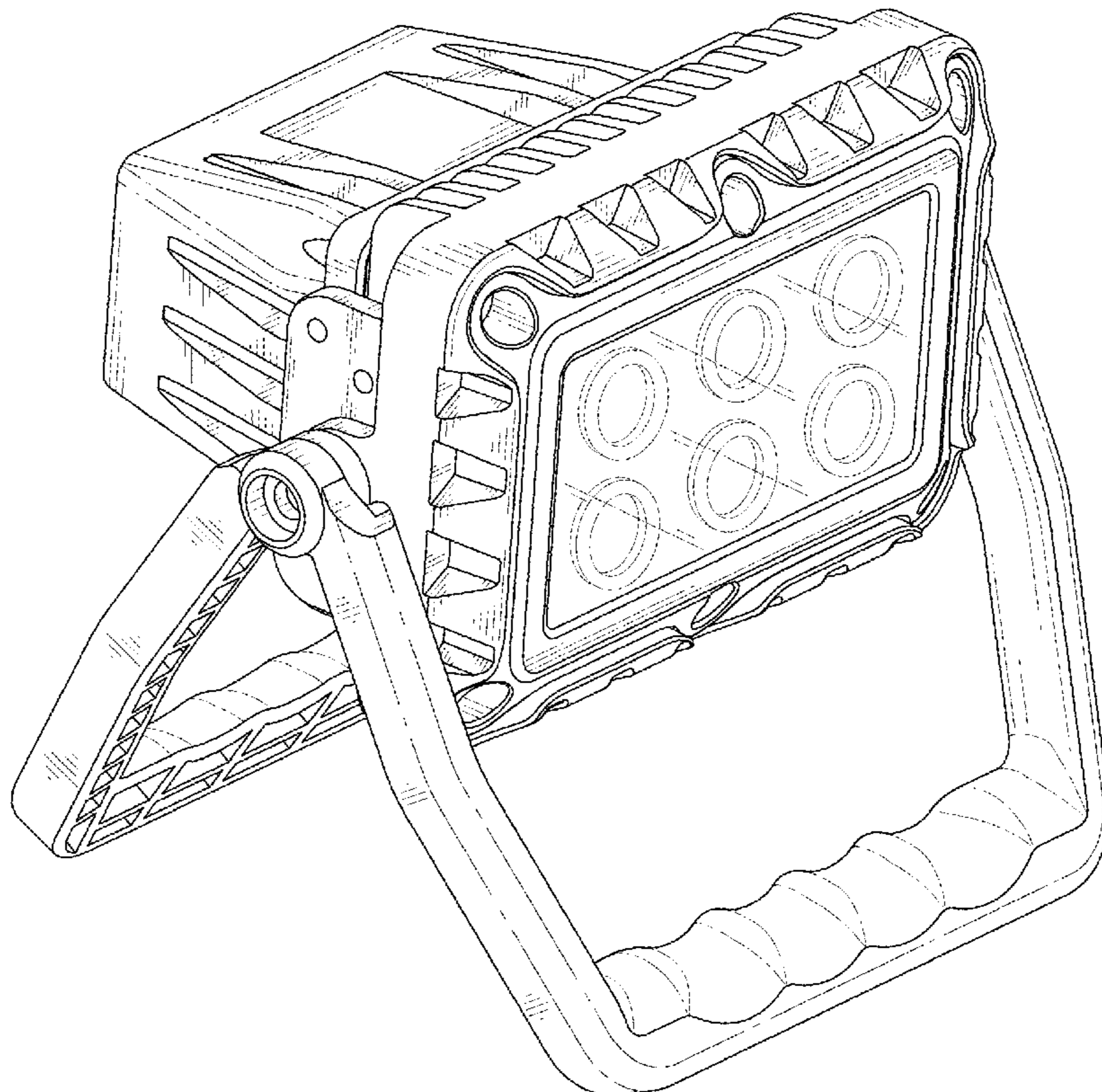
(57) **CLAIM**

The ornamental design for a “portable light,” as shown and described.

DESCRIPTION

FIG. 1 is a front, top and left side perspective view of a “portable light” showing my new design; FIG. 2 is a front elevational view thereof; FIG. 3 is a rear elevational view thereof; FIG. 4 is a left side elevational view thereof; FIG. 5 is a right side elevational view thereof; FIG. 6 is a top plan view thereof; FIG. 7 is a bottom plan view thereof; and, FIG. 8 is a front, top and left side perspective view of the “portable light” with handles thereof unfolded for supporting the portable light.

1 Claim, 8 Drawing Sheets



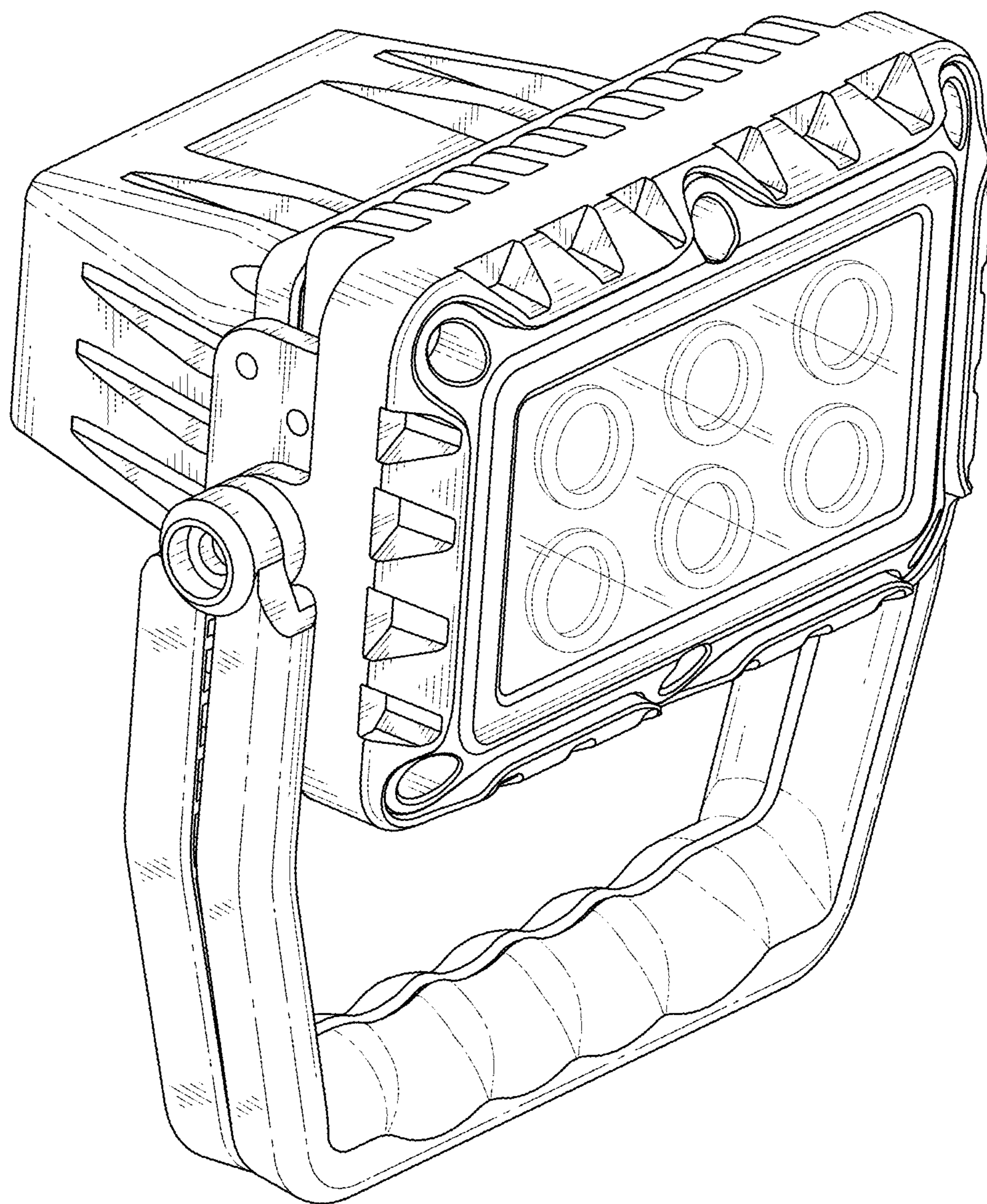


FIG. 1

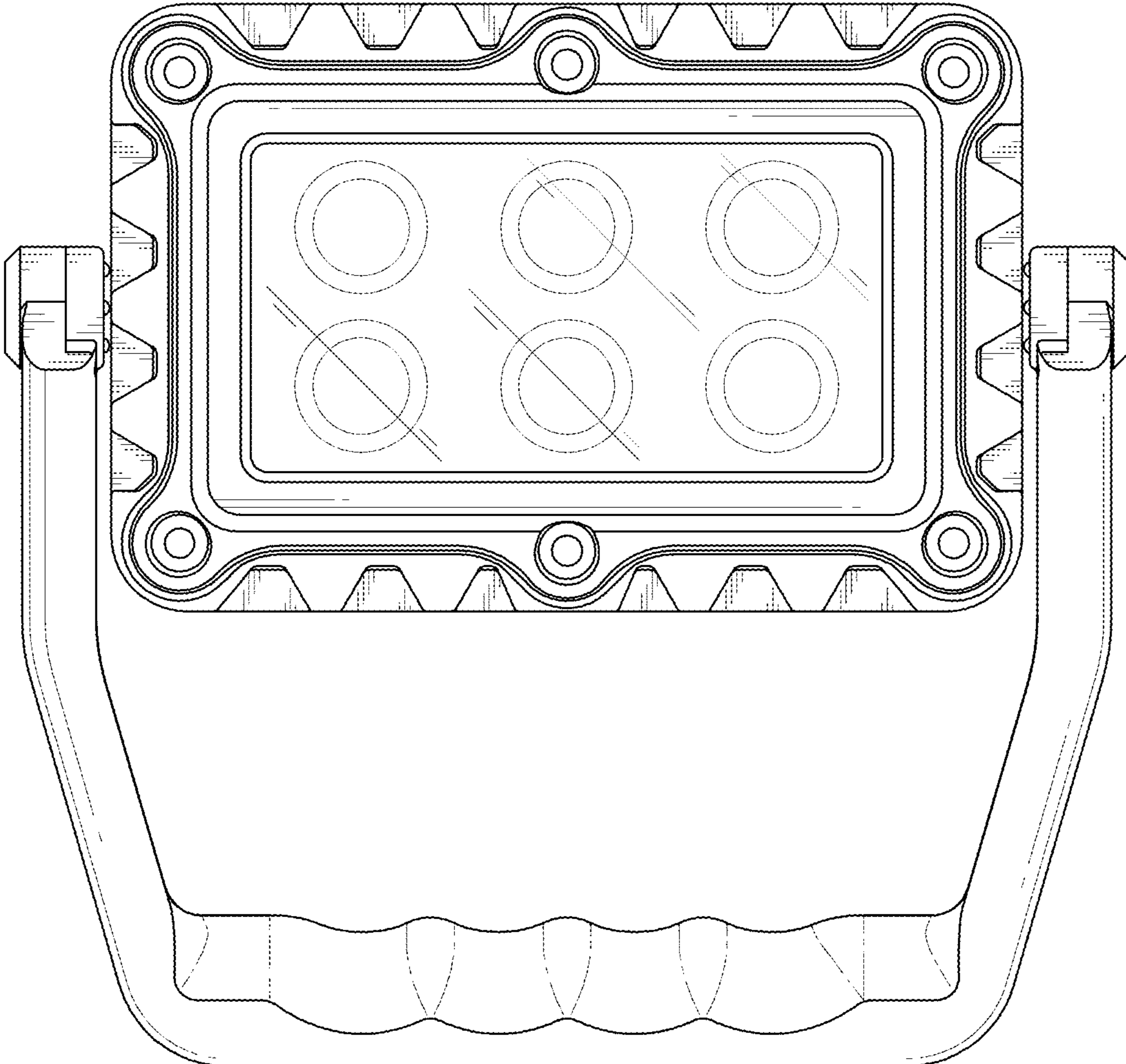


FIG. 2

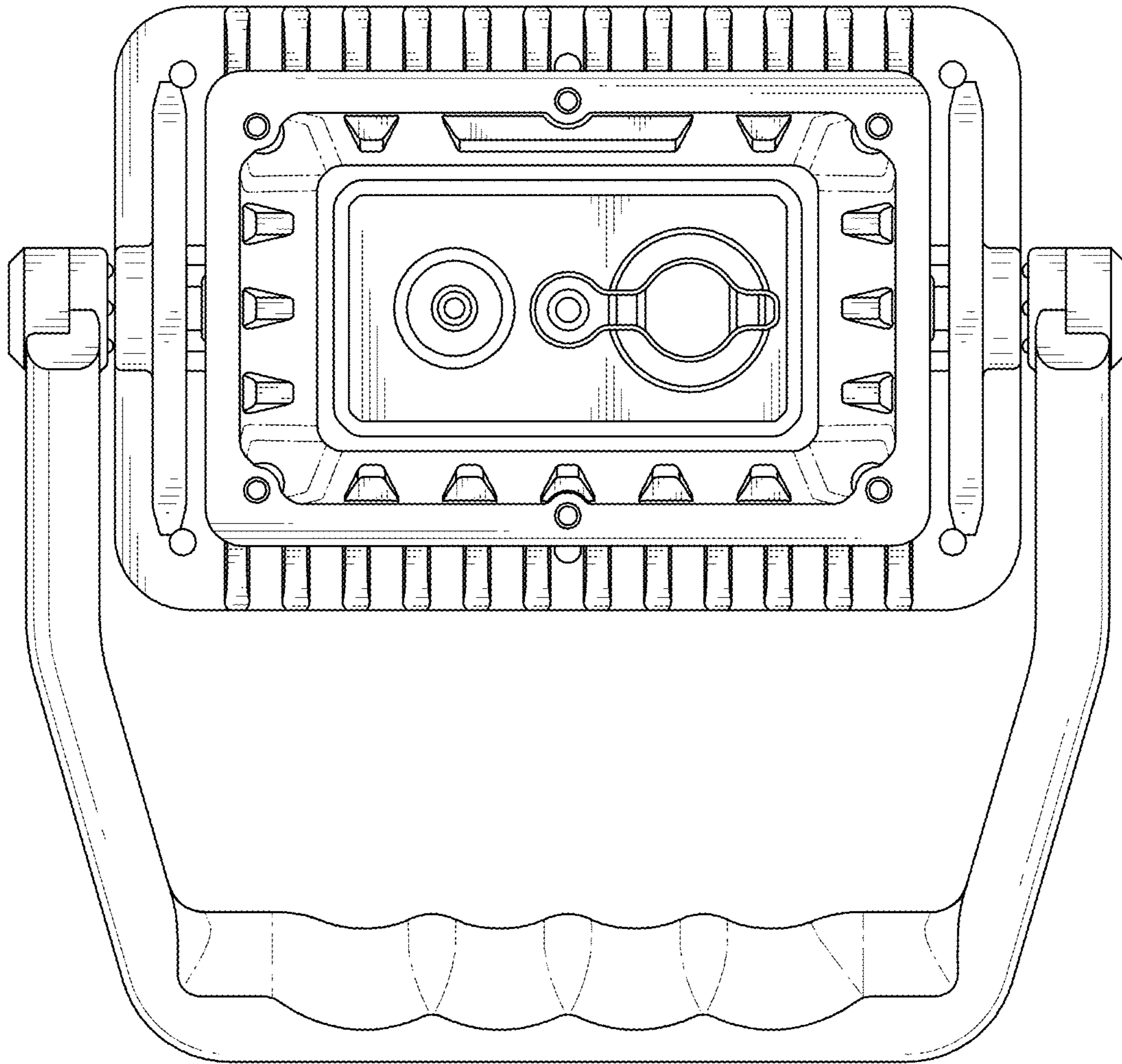


FIG. 3

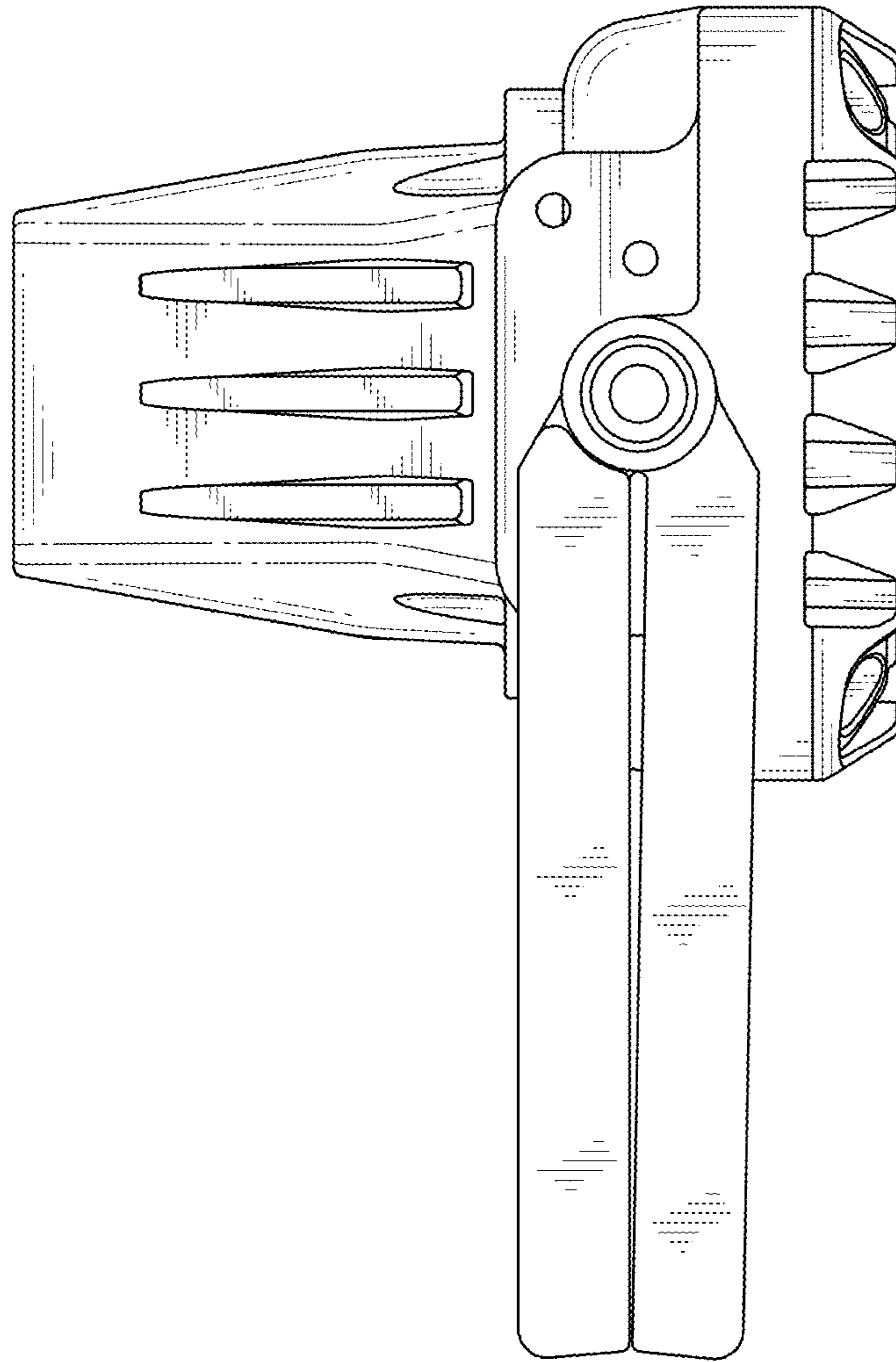


FIG. 4

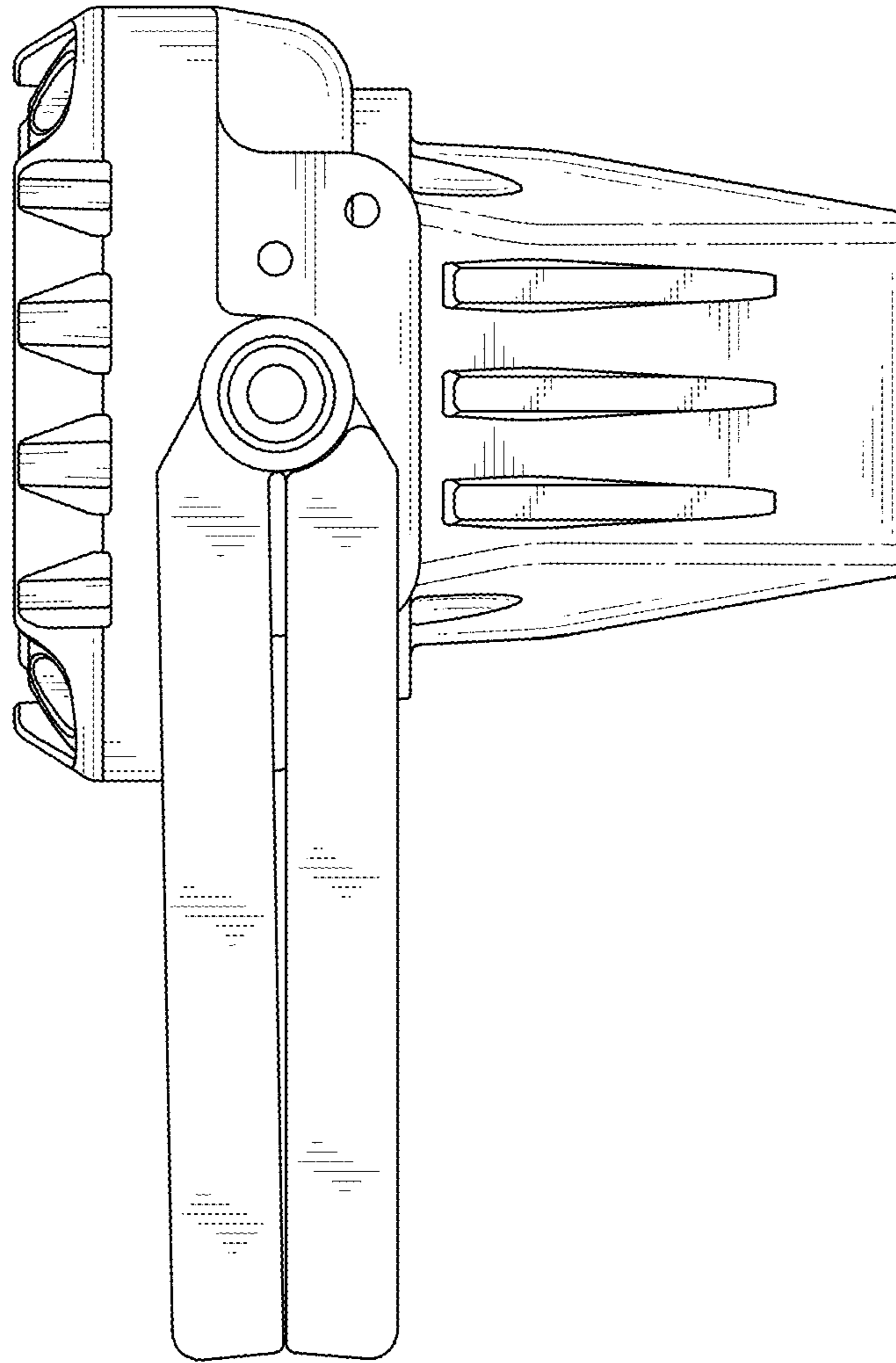


FIG. 5

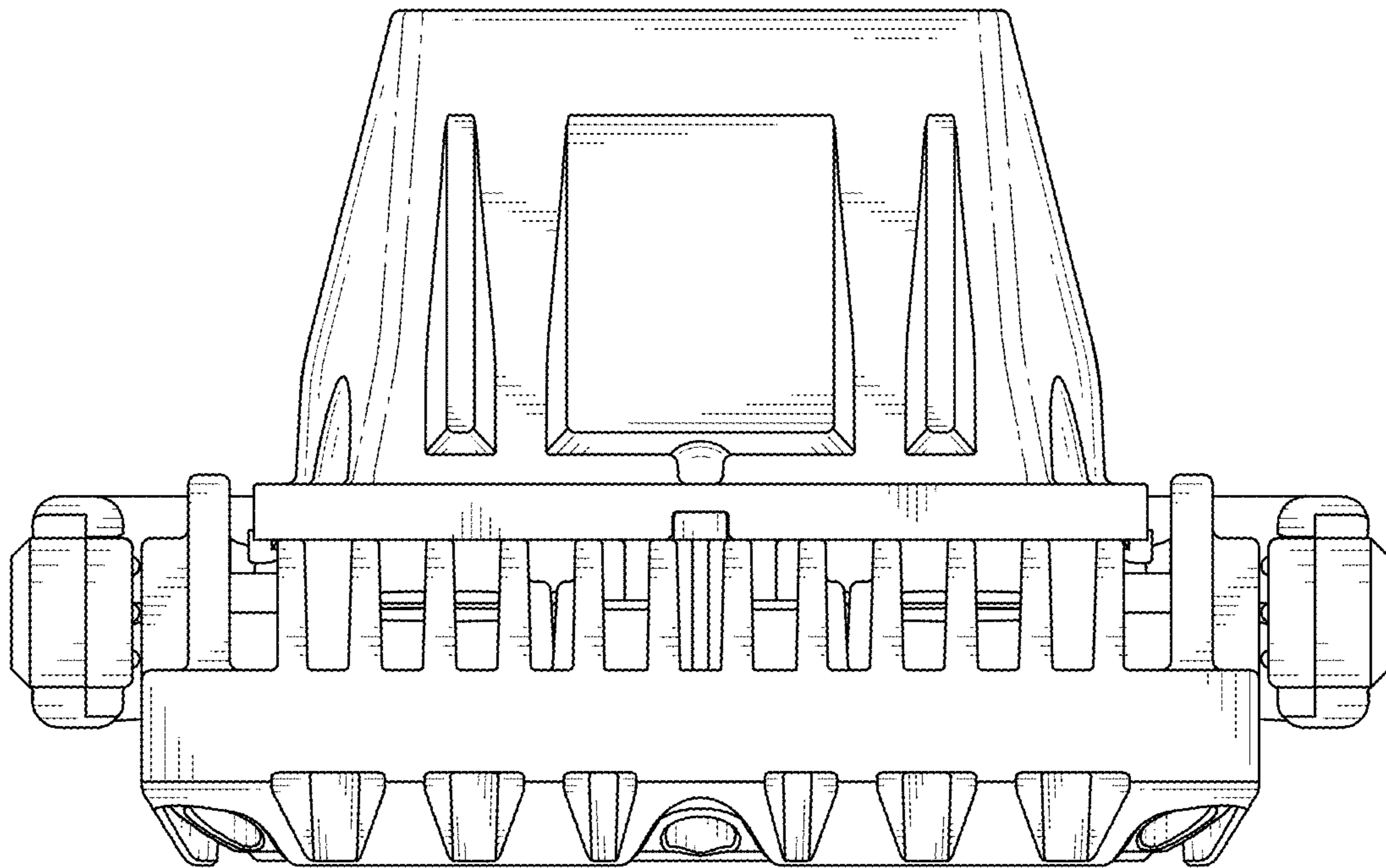


FIG. 6

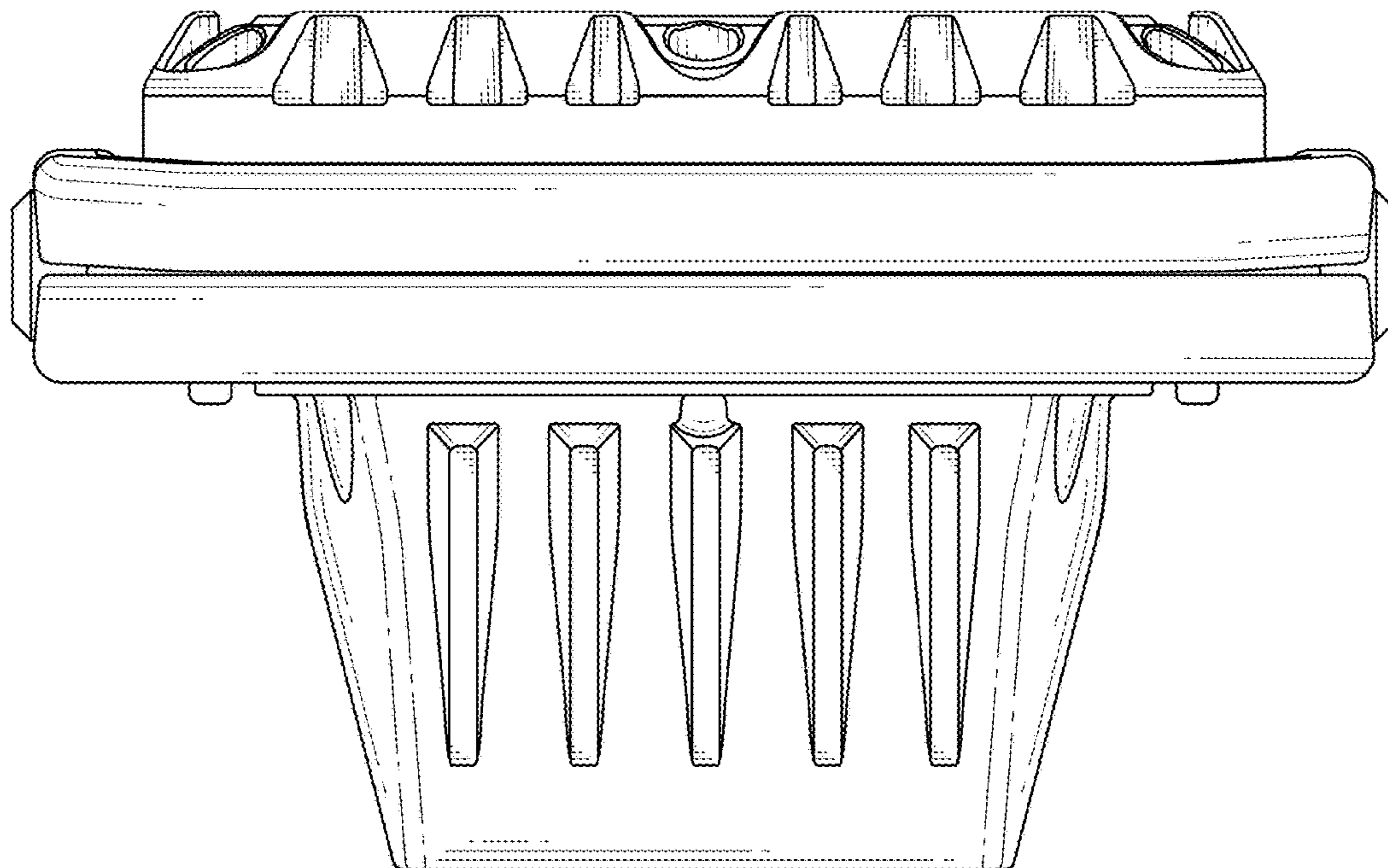


FIG. 7

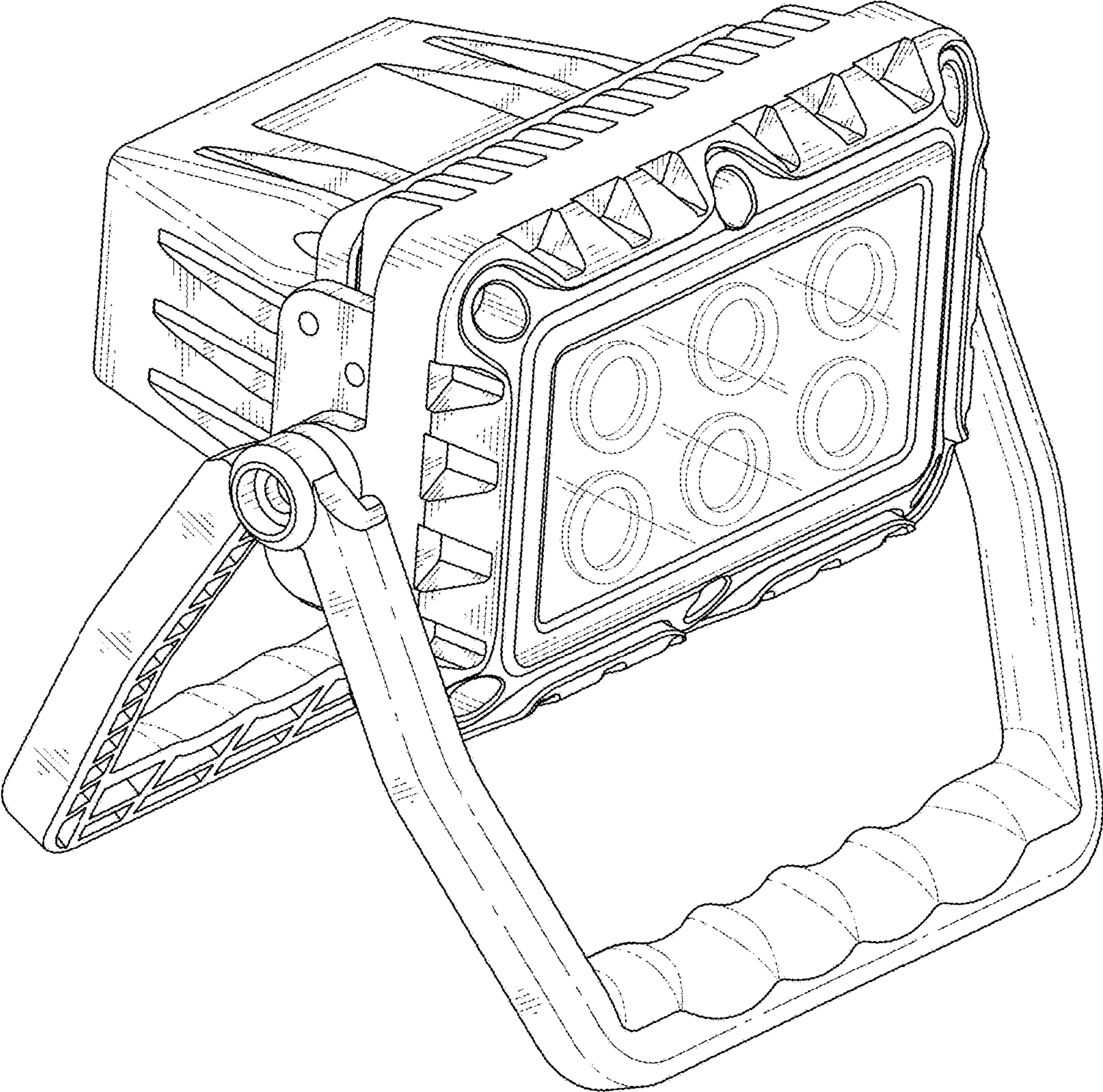


FIG. 8