



US00D781479S

(12) **United States Design Patent** (10) **Patent No.:** **US D781,479 S**
Rieben (45) **Date of Patent:** **** Mar. 14, 2017**

(54) **LED BOOM**

(71) Applicant: **Mosmatic AG**, Necker (CH)
 (72) Inventor: **Patrick Rieben**, Necker (CH)
 (73) Assignee: **MOSMATIC AG**, Necker (CH)
 (**) Term: **15 Years**

(21) Appl. No.: **29/541,047**

(22) Filed: **Sep. 30, 2015**

Related U.S. Application Data

(62) Division of application No. 29/484,414, filed on Mar. 10, 2014, now Pat. No. Des. 773,090.

(30) **Foreign Application Priority Data**

Sep. 10, 2013 (EM) 002305524

(51) **LOC (10) Cl.** **26-03**

(52) **U.S. Cl.**
USPC **D26/63**

(58) **Field of Classification Search**
 USPC D26/1, 24, 61, 63, 65, 85, 92
 CPC F21V 21/14; F21V 15/01; F21V 14/02;
 F21V 21/30; F21V 21/00; F21V 14/00;
 F21S 8/00; F21S 8/003; F21S 8/043;
 F21Y 2105/001

See application file for complete search history.

(56) **References Cited**

U.S. PATENT DOCUMENTS

D495,082 S	8/2004	Marchand
D510,451 S	10/2005	Marchand
D513,082 S	12/2005	Hoshikawa et al.
D623,321 S	9/2010	Levine
D637,333 S	5/2011	Chan
D715,974 S	10/2014	Tunze et al.

Primary Examiner — Brian N Vinson

(74) *Attorney, Agent, or Firm* — Browdy and Neimark, PLLC

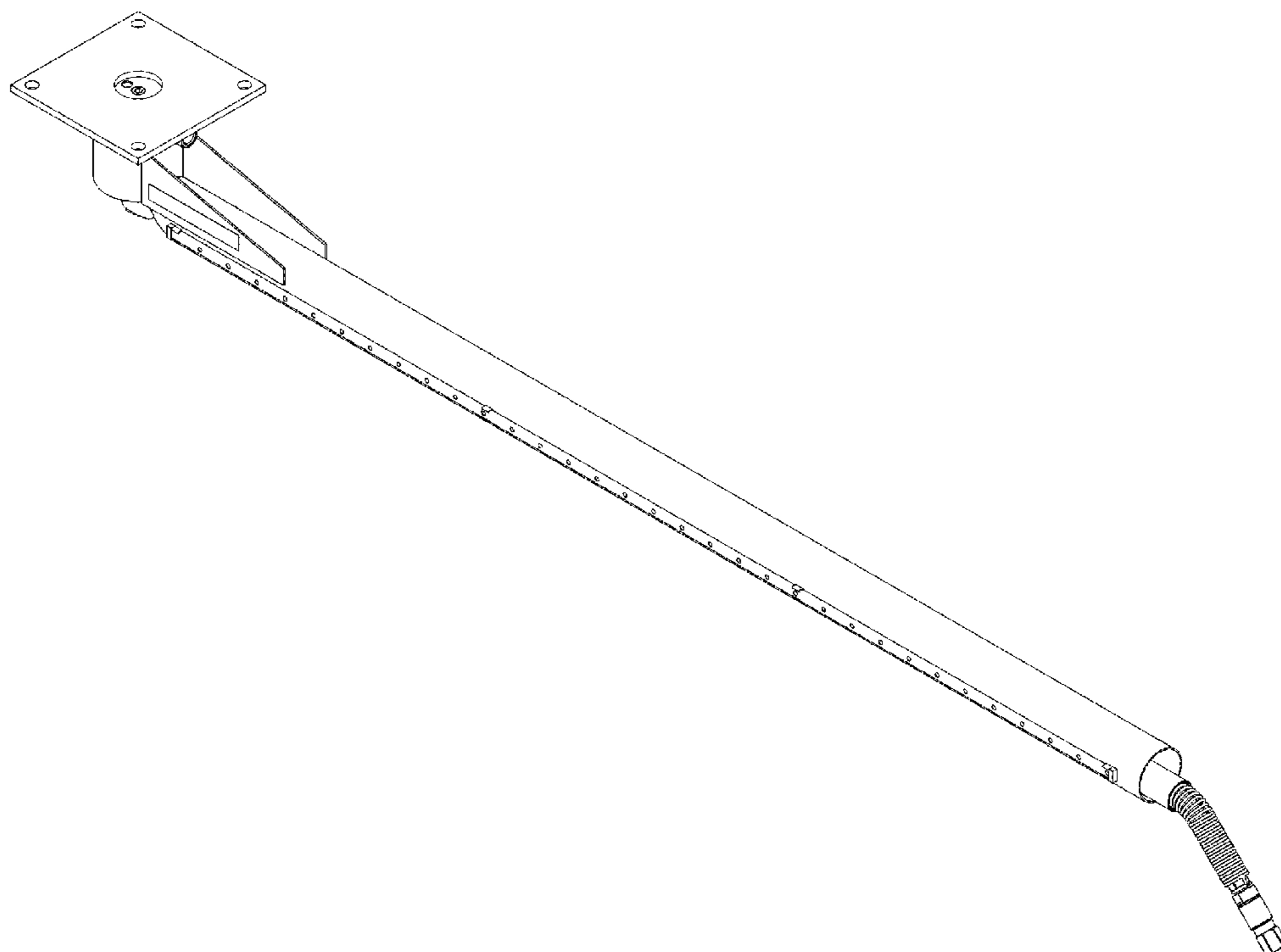
(57) **CLAIM**

The ornamental design for an LED boom, as shown and described.

DESCRIPTION

FIG. 1 is a perspective view of an LED boom according to another embodiment of the present design;
 FIG. 2 is a right side view of FIG. 1;
 FIG. 3 is a left side view of FIG. 2;
 FIG. 4 is a top view of FIG. 3; and,
 FIG. 5 is a bottom view of FIG. 4.
 The broken line disclosure represents portions of the boom which form no part of the claimed design.

1 Claim, 5 Drawing Sheets



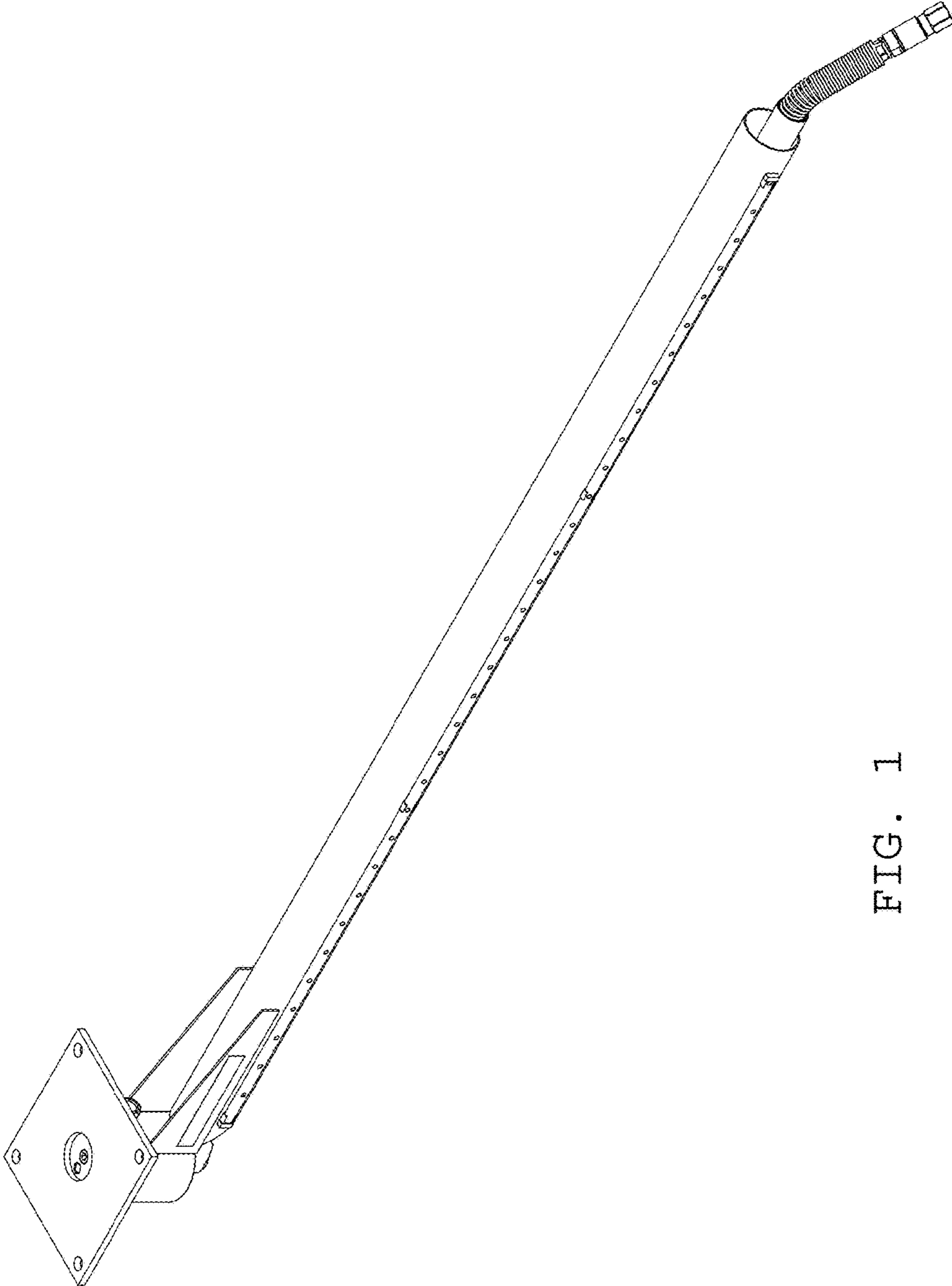


FIG. 1

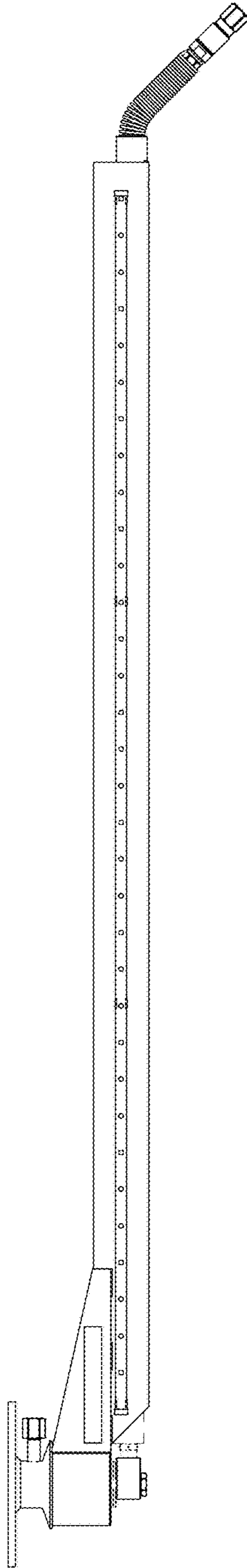


FIG. 2

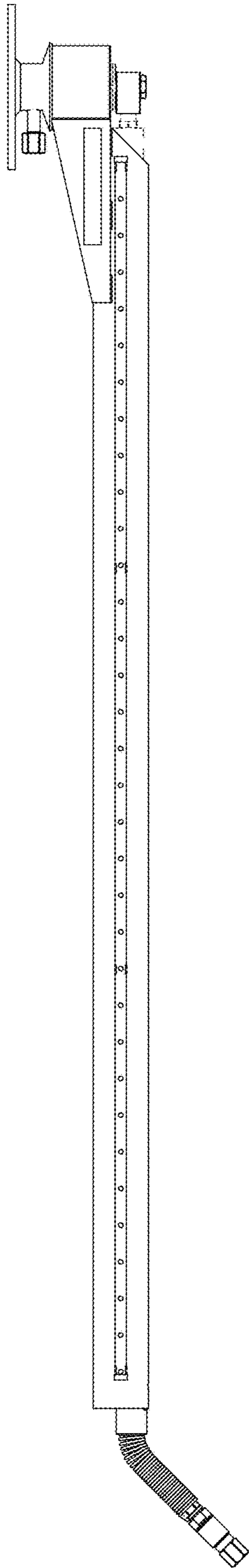


FIG. 3

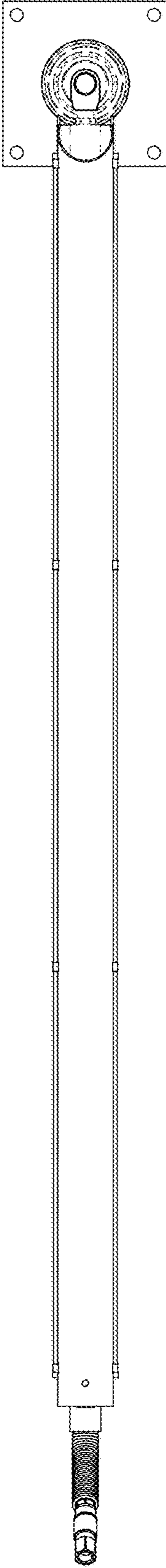


FIG. 4

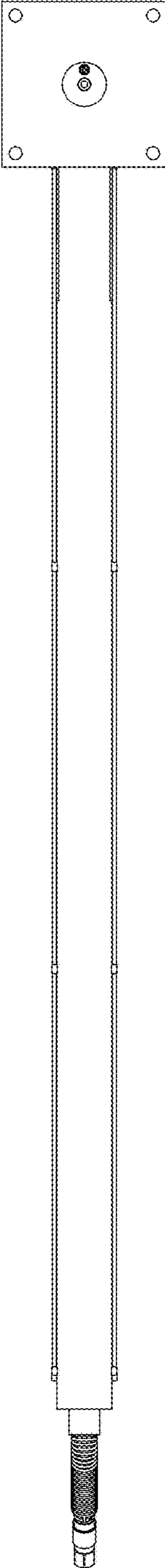


FIG. 5