



US00D781478S

(12) **United States Design Patent**
Smith et al.

(10) **Patent No.:** **US D781,478 S**

(45) **Date of Patent:** **** *Mar. 14, 2017**

(54) **FLOOR LAMP WITH HANGING POT**

(71) Applicant: **Evolution Lighting, LLC**, Miami
Lakes, FL (US)

(72) Inventors: **Jennifer Leigh Smith**, Parkland, FL
(US); **Jose Bernal**, Miami, FL (US);
Ling Wang, Shenzhen (CN); **Marcia
Thompson**, Lexington, NC (US);
Danielle Sosa, Miami Lakes, FL (US);
Grace Elizabeth Bonnelly, Miramar,
FL (US)

(73) Assignee: **Evolution Lighting, LLC**, Miami
Lakes, FL (US)

(*) Notice: This patent is subject to a terminal dis-
claimer.

(**) Term: **15 Years**

(21) Appl. No.: **29/546,295**

(22) Filed: **Nov. 20, 2015**

(51) **LOC (10) Cl.** **26-03**

(52) **U.S. Cl.**
USPC **D26/51; D26/110; D26/105**

(58) **Field of Classification Search**
USPC ... D26/1, 24, 93, 106, 107, 105, 110, 51, 55
CPC F21S 6/00; F21S 6/002; F21S 6/004; F21S
6/006; F21S 8/00; F21S 10/00; F21V
21/02; F21W 2131/30; F21Y 2105/00;
G01N 21/956

See application file for complete search history.

(56) **References Cited**

U.S. PATENT DOCUMENTS

D315,031 S * 2/1991 Berry, Jr. D26/105
D367,126 S * 2/1996 Drucker D26/93

D410,561 S * 6/1999 Stone D26/110
D426,666 S * 6/2000 Hsieh D26/110
D430,693 S * 9/2000 Hsieh D26/110
6,853,942 B2 * 2/2005 Drege G01N 21/956
356/369
D624,679 S * 9/2010 Lutz D26/51
D628,337 S * 11/2010 Sabernig D26/93
D726,953 S * 4/2015 Martin D26/93

* cited by examiner

Primary Examiner — Brian N Vinson

(74) *Attorney, Agent, or Firm* — Greenberg Traurig, LLP

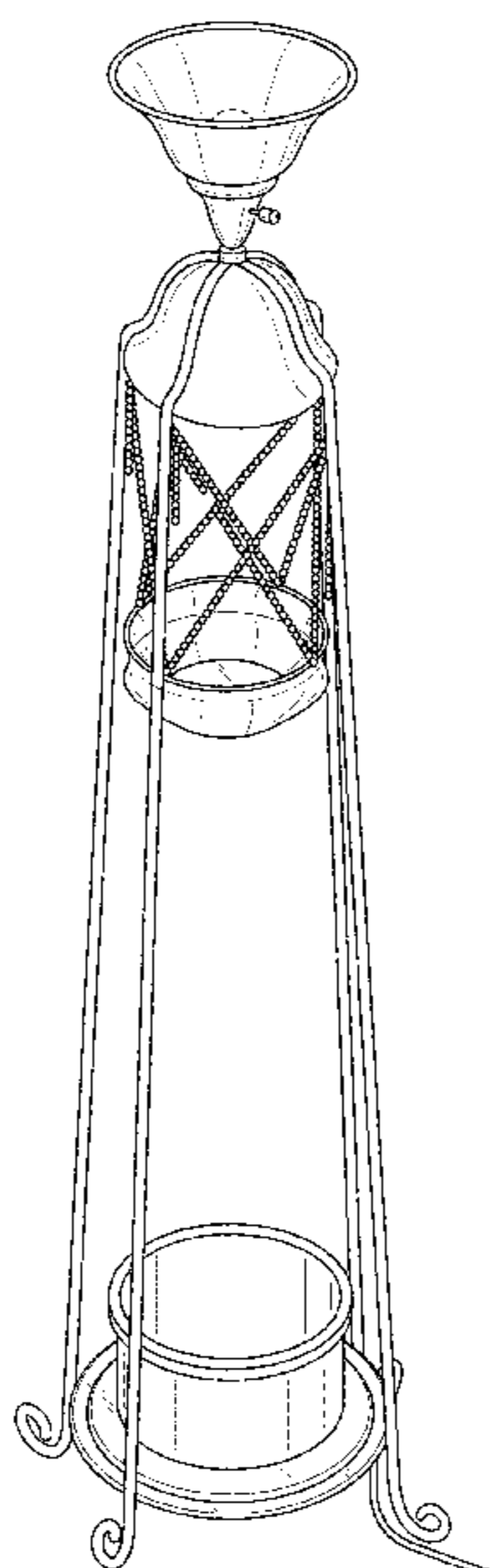
(57) **CLAIM**

The ornamental design for a floor lamp with hanging pot, as
shown and described.

DESCRIPTION

FIG. 1 is a right and rear side perspective view of our floor
lamp with hanging pot showing our new design;
FIG. 2 is a right side elevational view thereof;
FIG. 3 is a left side elevational view thereof;
FIG. 4 is a front elevational view thereof;
FIG. 5 is a rear elevational view thereof;
FIG. 6 is a top plan view thereof;
FIG. 7 is a bottom plan view thereof;
FIG. 8 is a right side elevational view showing our floor
lamp with the hanging pot shown its middle position;
FIG. 9 is a right side elevational view showing our floor
lamp with the hanging pot shown its lowest position; and,
FIG. 10 is a right side elevational view of a second embod-
iment of the floor lamp with the hanging pot showing an
alternative embodiment of the hanging pot; the other views
are duplicative of the views of the first embodiment.

1 Claim, 9 Drawing Sheets



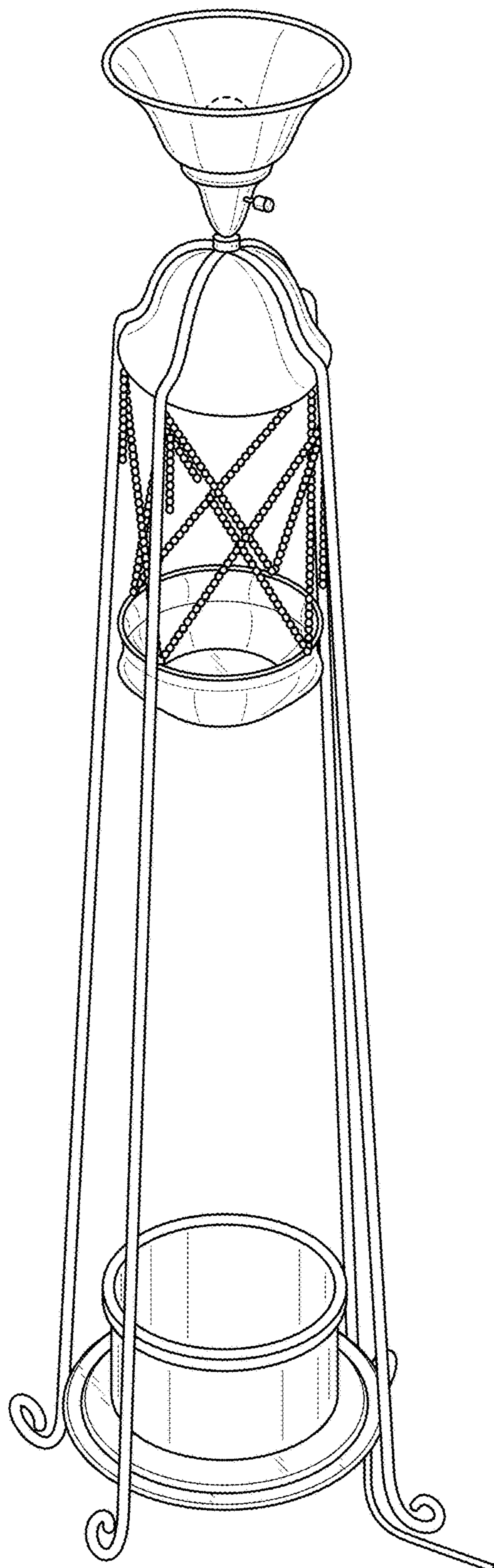


FIG. 1

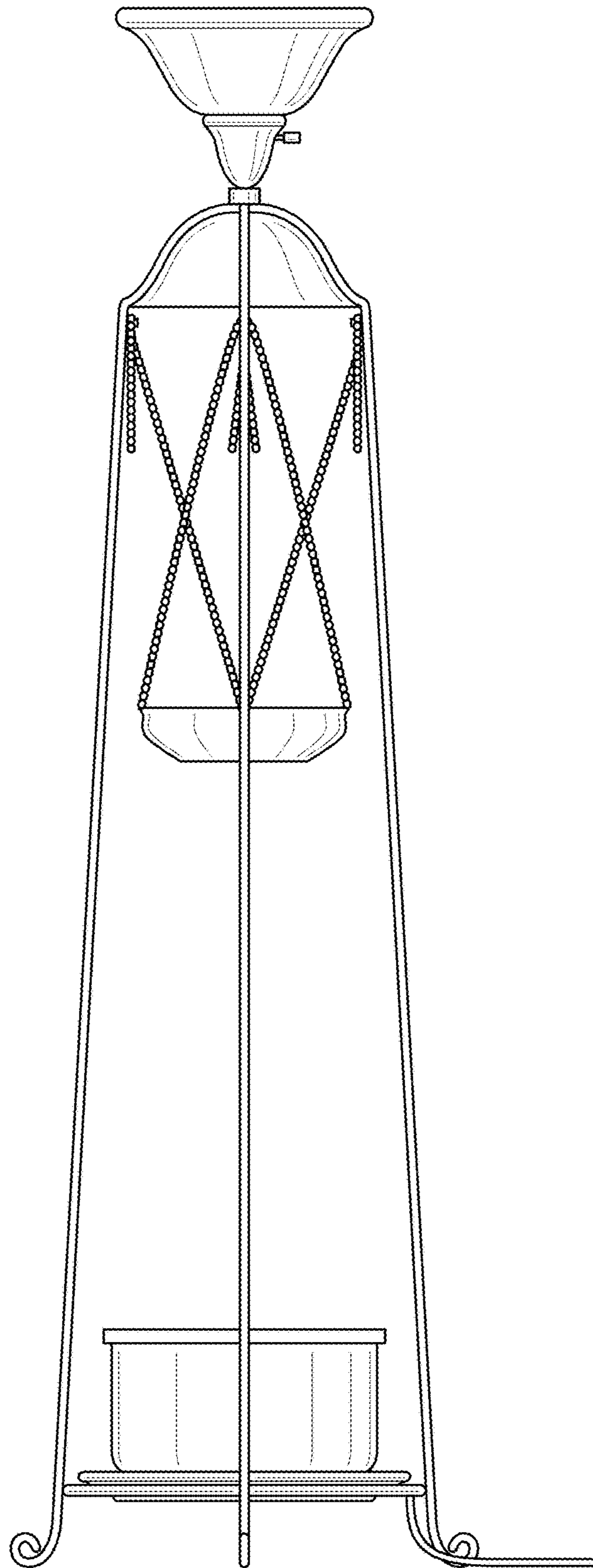


FIG. 2

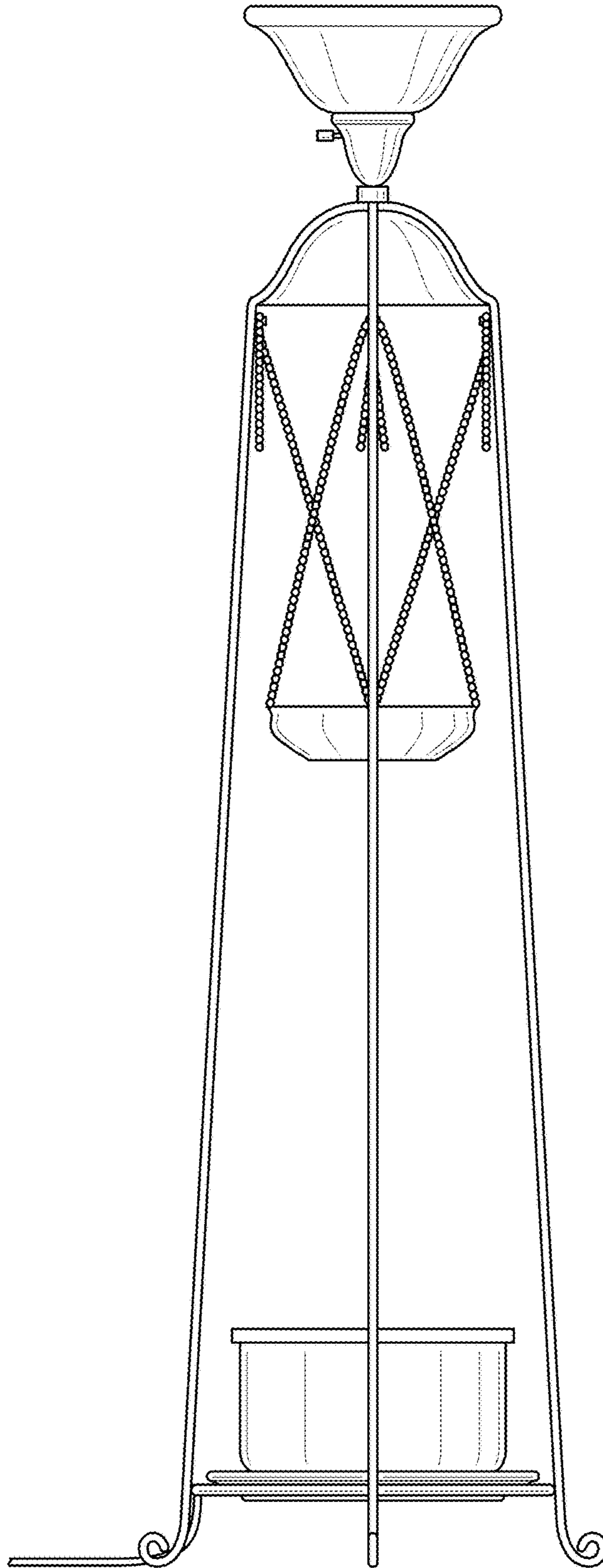


FIG. 3

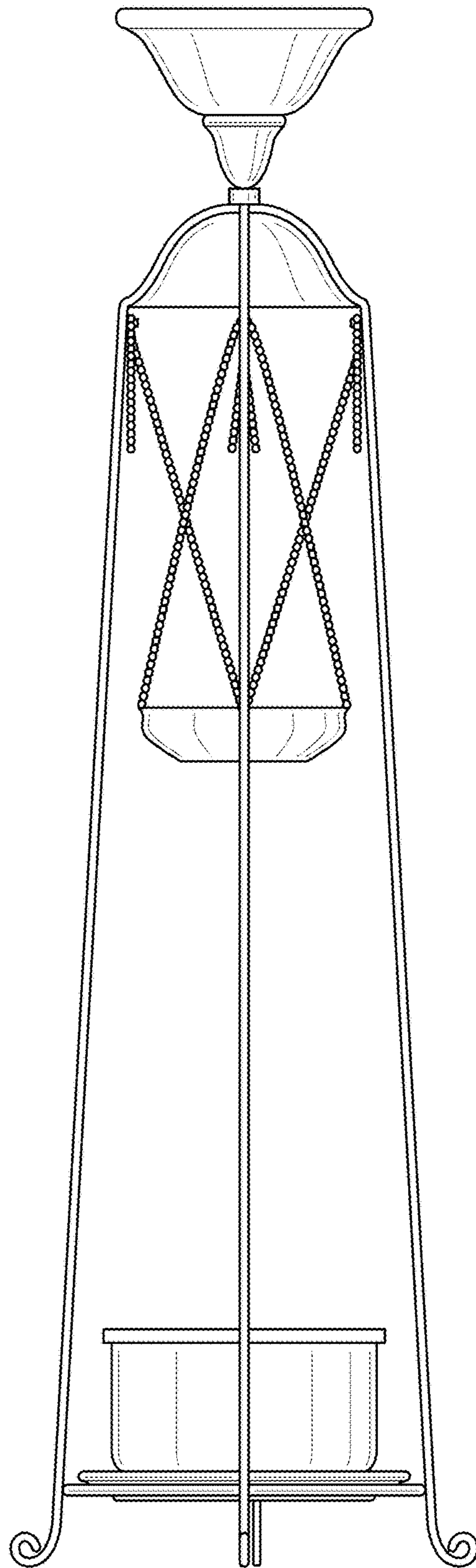


FIG. 4

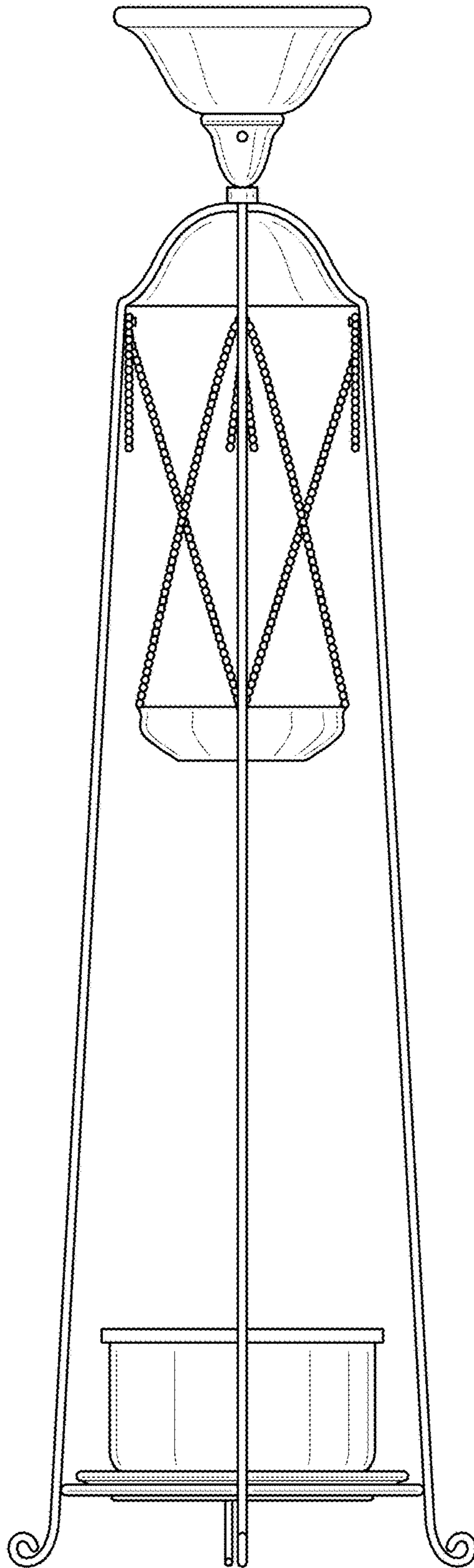


FIG. 5

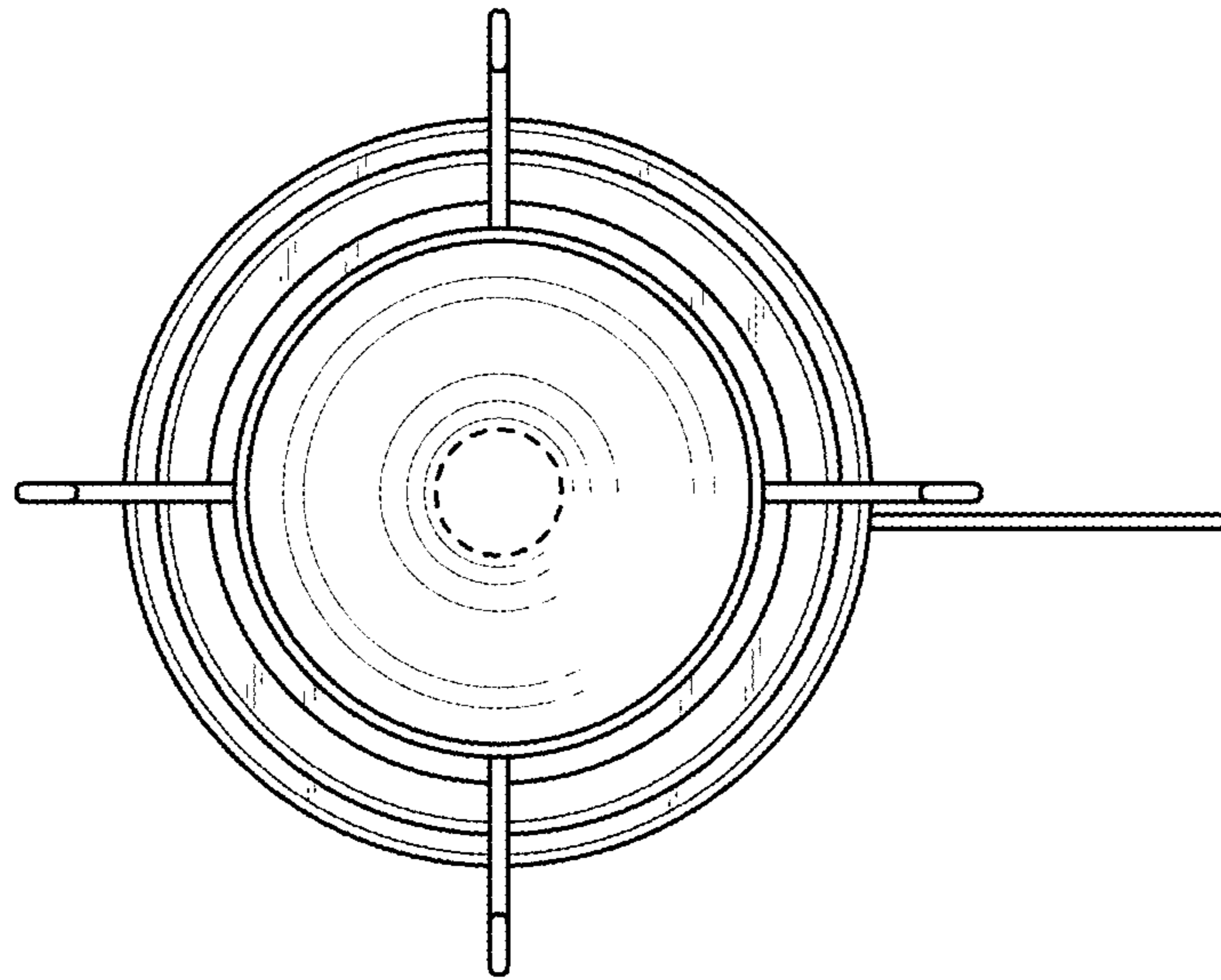


FIG. 6

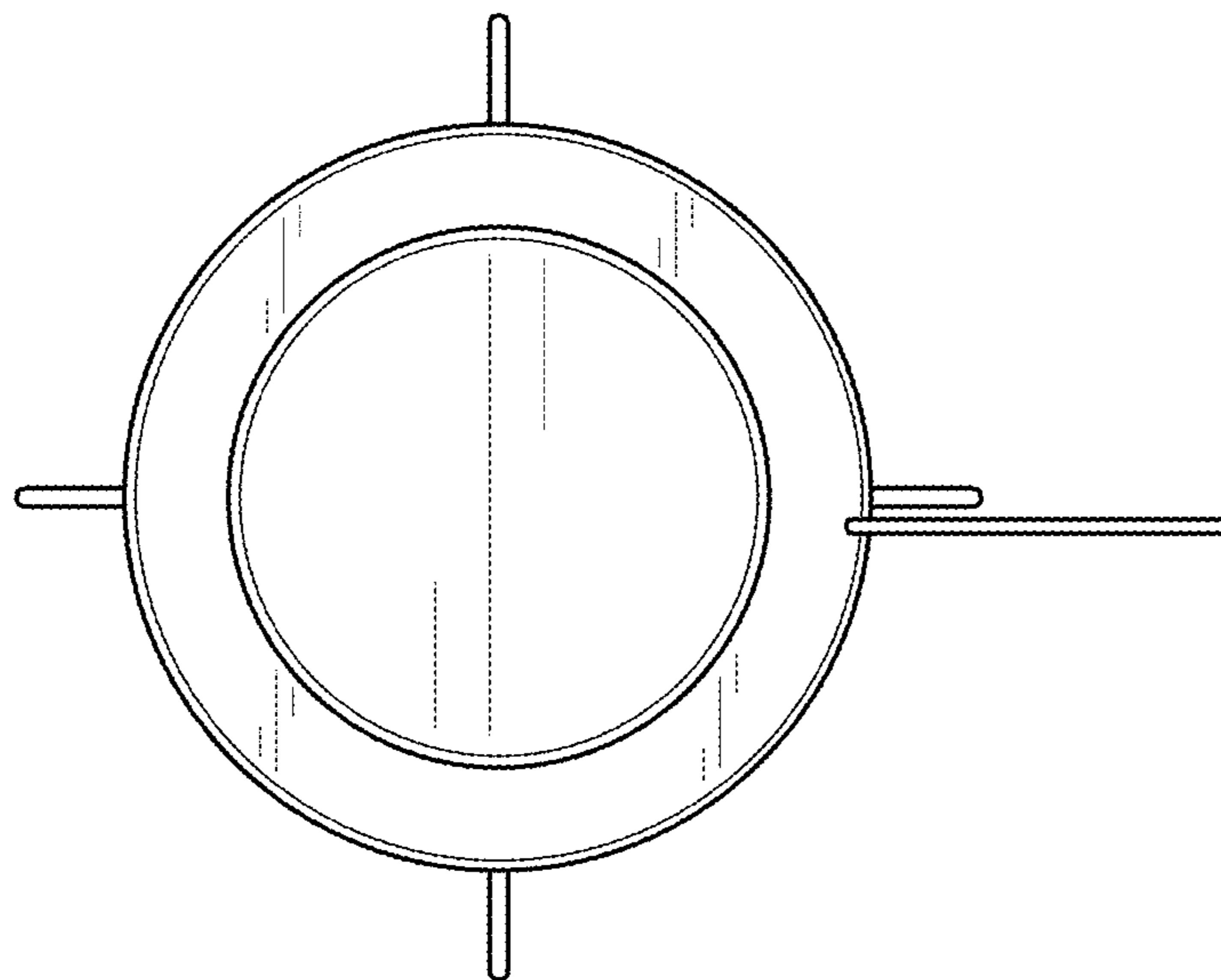


FIG. 7

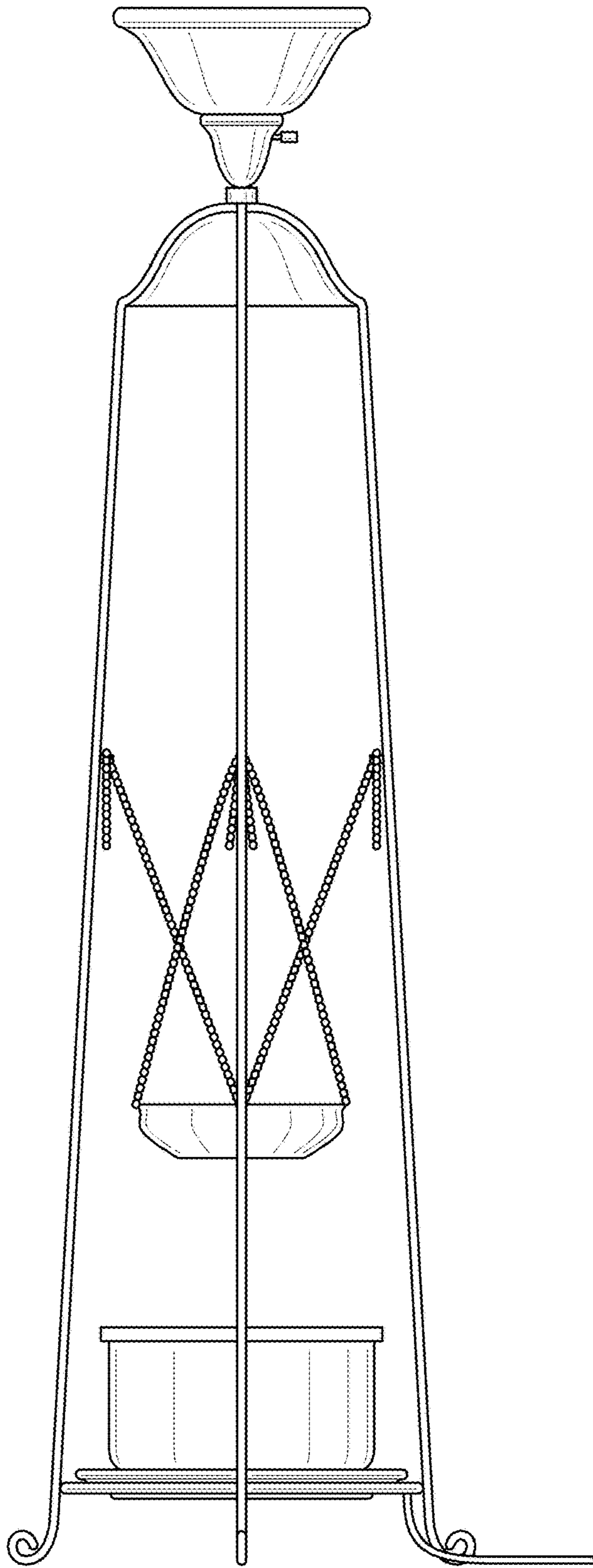


FIG. 8

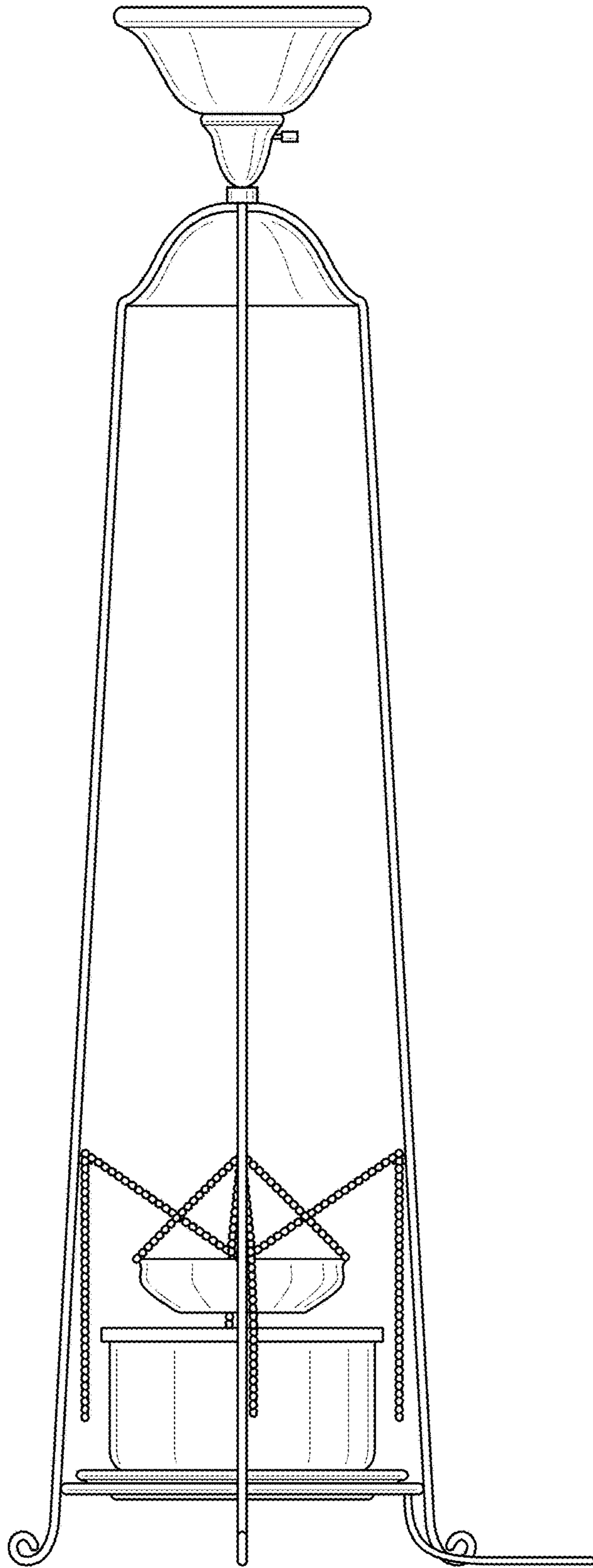


FIG. 9

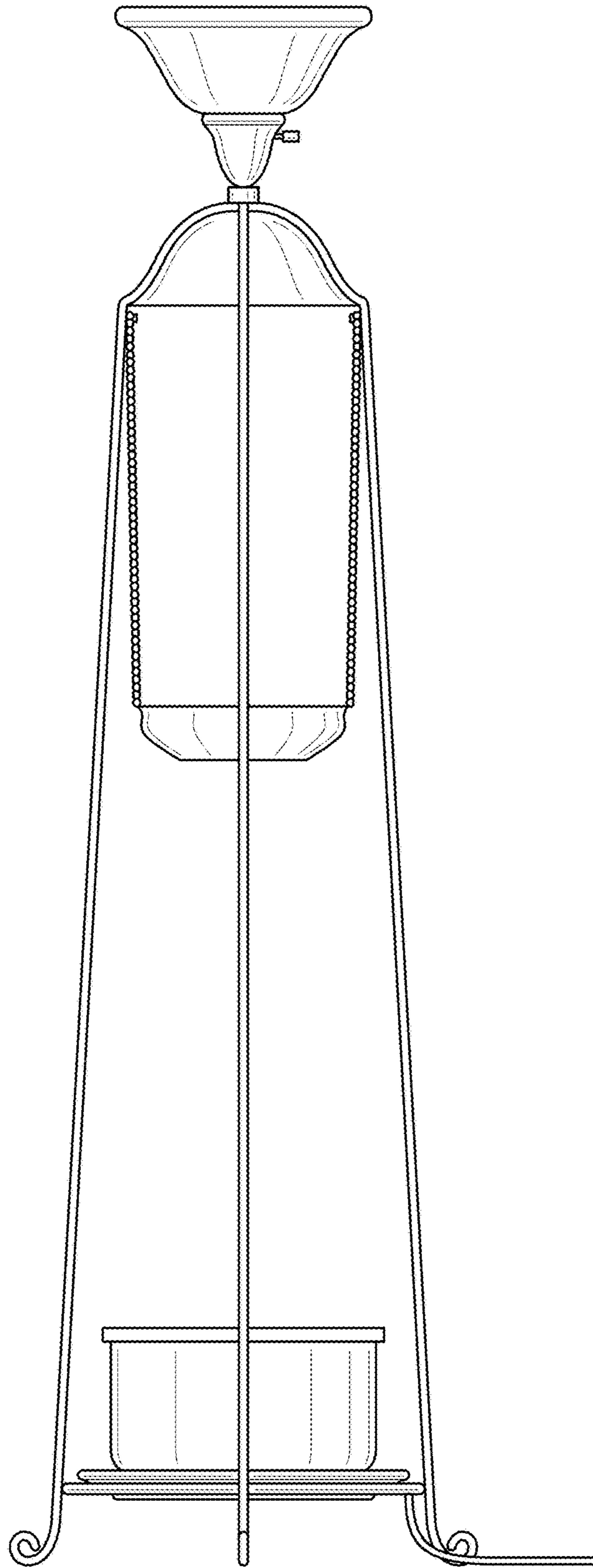


FIG. 10