



US00D781477S

(12) **United States Design Patent**  
**Mehta et al.**

(10) **Patent No.:** **US D781,477 S**  
(45) **Date of Patent:** **\*\* Mar. 14, 2017**

(54) **ILLUMINATOR FOR A MEDICAL SPECULUM**  
(71) Applicant: **ClearSpec, LLC**, Boca Raton, FL (US)  
(72) Inventors: **Navroze Mehta**, Boca Raton, FL (US); **Michael Falk**, Oakland, CA (US)  
(73) Assignee: **ClearSpec, LLC**, Boca Raton, FL (US)  
(\*\*) Term: **14 Years**  
(21) Appl. No.: **29/523,038**

(22) Filed: **Apr. 6, 2015**  
(51) **LOC (10) Cl.** ..... **26-05**  
(52) **U.S. Cl.**  
USPC ..... **D26/51**; D26/38  
(58) **Field of Classification Search**  
USPC ..... D24/133, 135, 137, 186; D26/38, 46, 51  
CPC ..... A61B 1/06; A61B 1/0607; A61B 1/303;  
A61B 1/307; A61B 1/31; A61B 1/32;  
A61B 1/00032; A61B 1/00034; A61B  
1/00103; A61B 1/0661; A61B 1/0669;  
A61B 1/0676; A61B 1/0684; F21L 2/00;  
F21L 4/00; F21L 4/005; F21L 17/00;  
F21L 13/08; F21Y 2101/00; F21V 21/30;  
F21V 21/406; F21W 2131/406; F21W  
2131/407

See application file for complete search history.

(56) **References Cited**

**U.S. PATENT DOCUMENTS**

D188,788 S \* 9/1960 Lamb ..... D24/133  
7,029,439 B2 \* 4/2006 Roberts ..... A61B 1/227  
600/178  
D581,566 S \* 11/2008 Slawson ..... D24/135  
D595,158 S \* 6/2009 Naimi ..... D10/2  
D600,841 S \* 9/2009 Kung ..... D26/46  
D692,559 S \* 10/2013 Scheibel ..... D24/133  
D741,531 S \* 10/2015 Vivenzio ..... D26/38

D753,295 S \* 4/2016 Vivenzio ..... D24/135  
9,314,149 B2 \* 4/2016 Vivenzio ..... A61B 1/303  
D757,937 S \* 5/2016 Tsai ..... D24/135  
D759,868 S \* 6/2016 Vivenzio ..... D26/38  
2007/0230164 A1 \* 10/2007 Vivenzio ..... A61B 1/303  
362/109  
2014/0293590 A1 \* 10/2014 Pathy ..... A61B 90/30  
362/119

**FOREIGN PATENT DOCUMENTS**

CN 301666469 \* 9/2011

**OTHER PUBLICATIONS**

MedSupplier. <URL: <http://www.medsupplier.com/clearspec-reusable-led-speculum-illuminator.aspx>>. Visited Oct. 18, 2016. Speculum Illuminator.\*

\* cited by examiner

*Primary Examiner* — Bridget L Eland  
*Assistant Examiner* — Lauren McVey  
(74) *Attorney, Agent, or Firm* — Cuenot, Forsythe & Kim, LLC; Stanley A. Kim

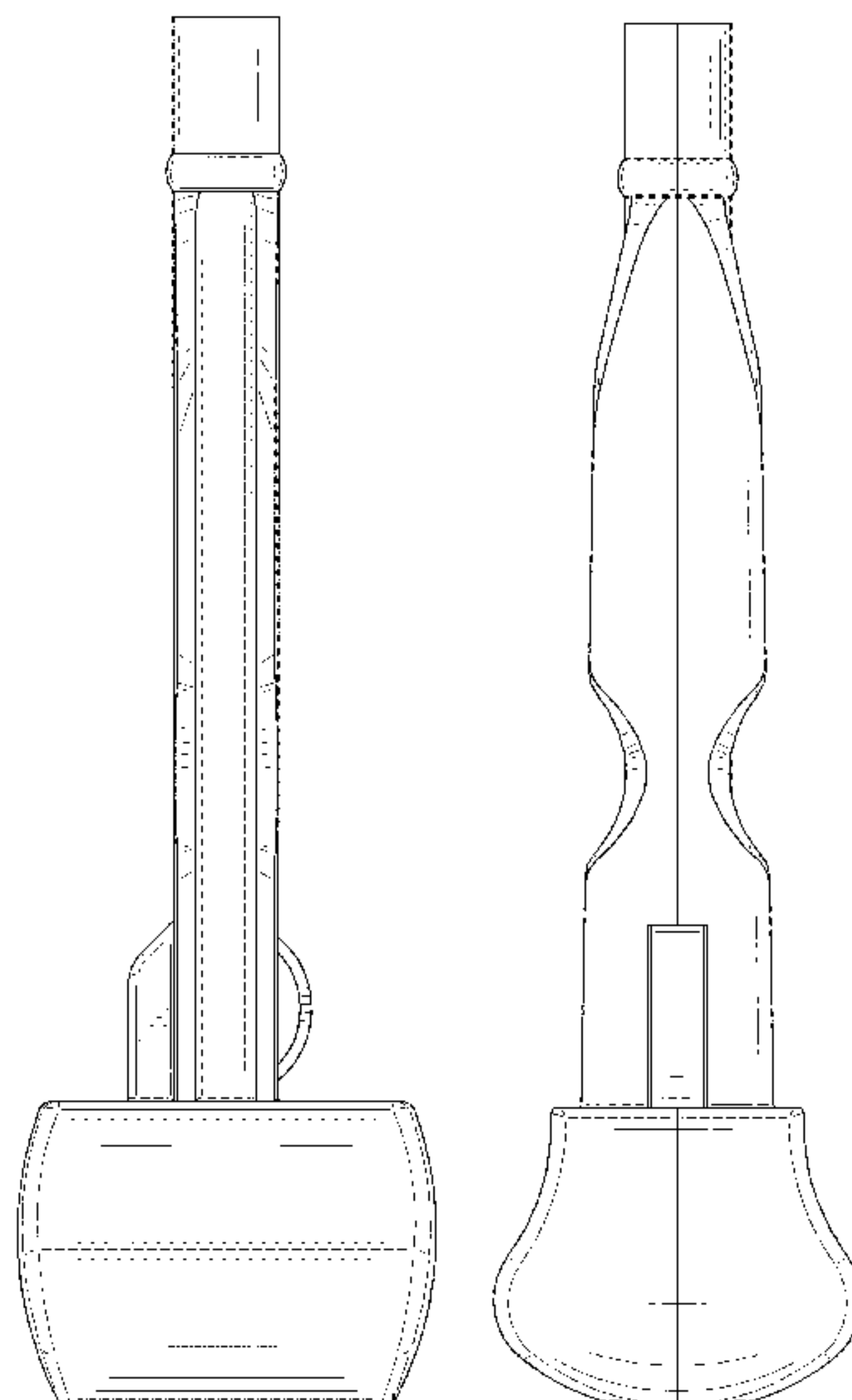
(57) **CLAIM**

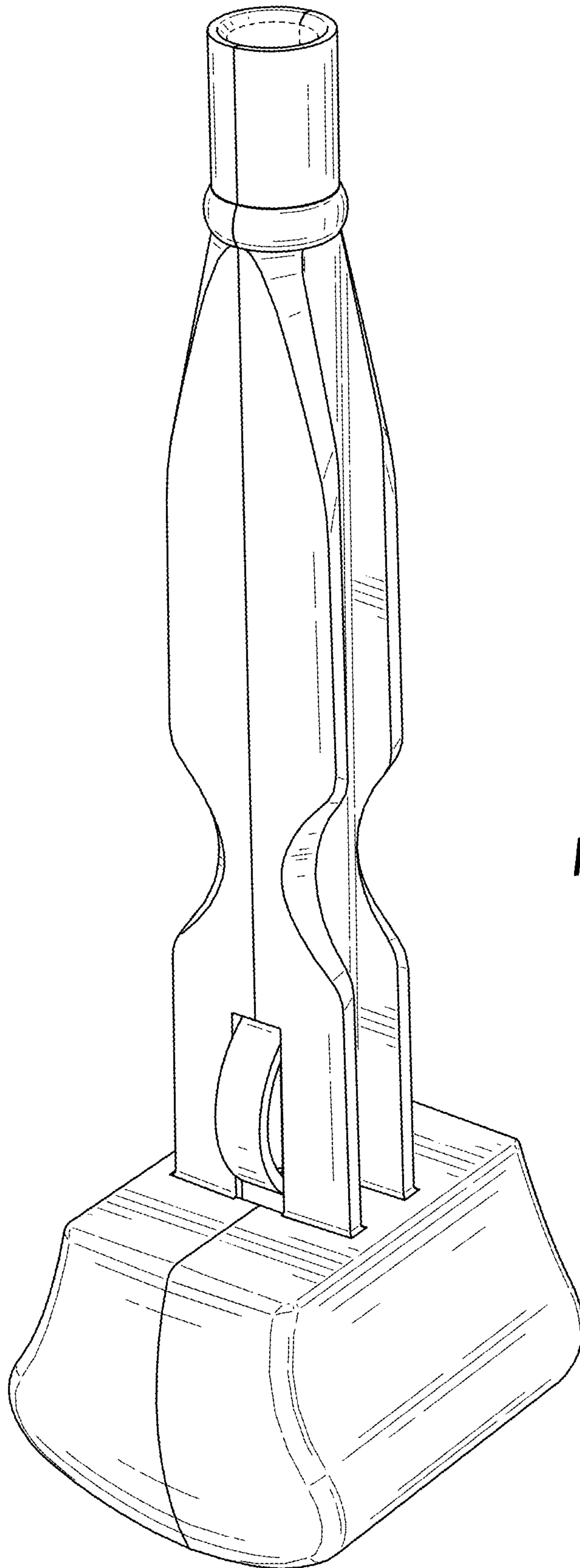
The ornamental design for an illuminator for a medical speculum, as shown and described.

**DESCRIPTION**

FIG. 1 is a perspective view of the illuminator for a medical speculum showing our new design;  
FIG. 2 is a right side view thereof;  
FIG. 3 is a left side view thereof;  
FIG. 4 is a front view thereof;  
FIG. 5 is a back view thereof;  
FIG. 6 is a top view thereof; and,  
FIG. 7 is a bottom view thereof.

**1 Claim, 4 Drawing Sheets**





**FIG. 1**

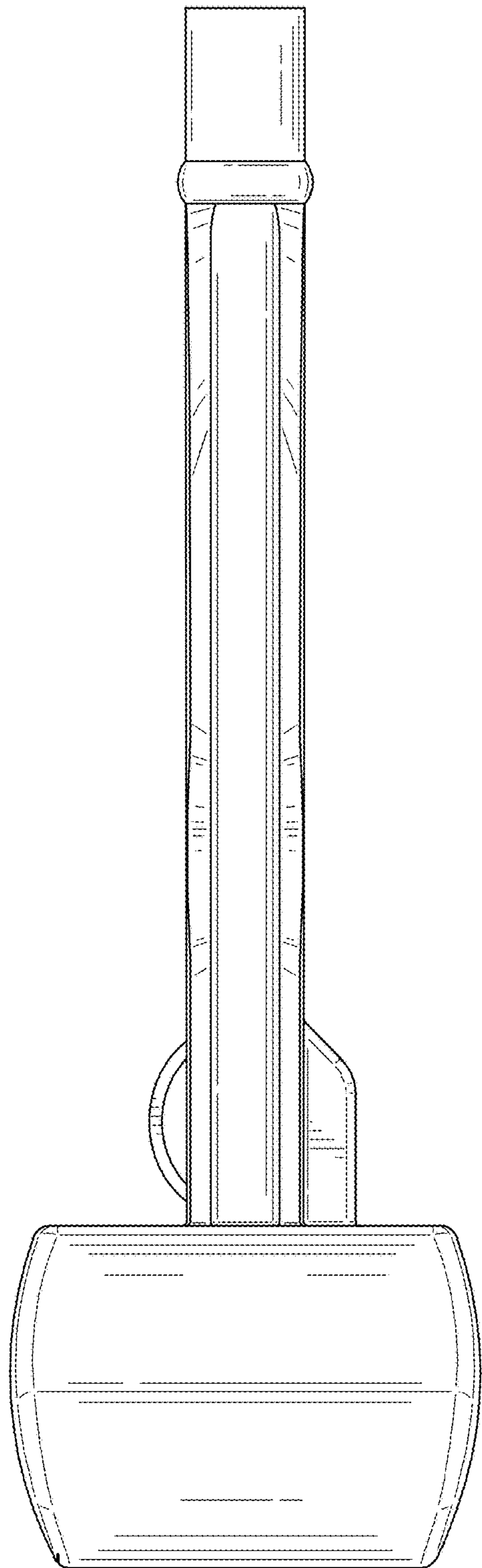


FIG. 2

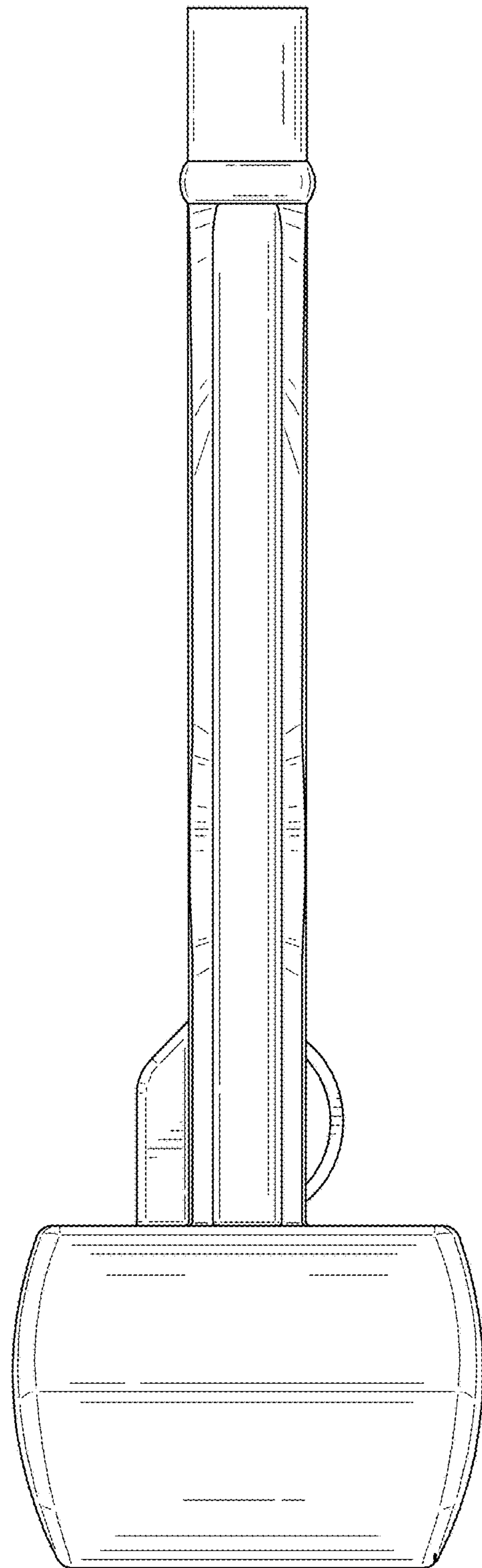
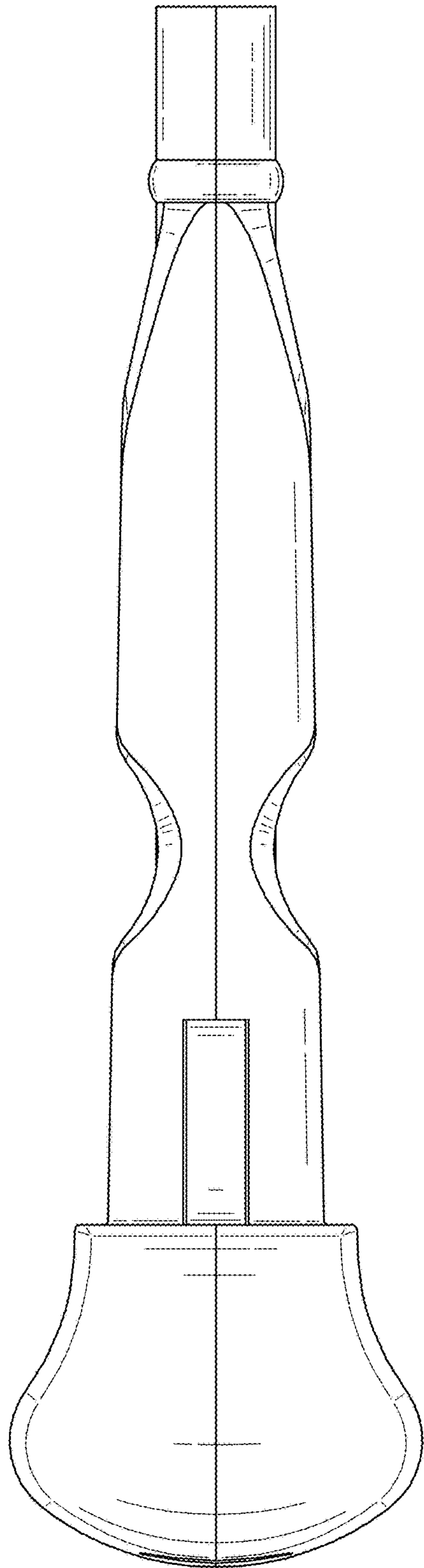
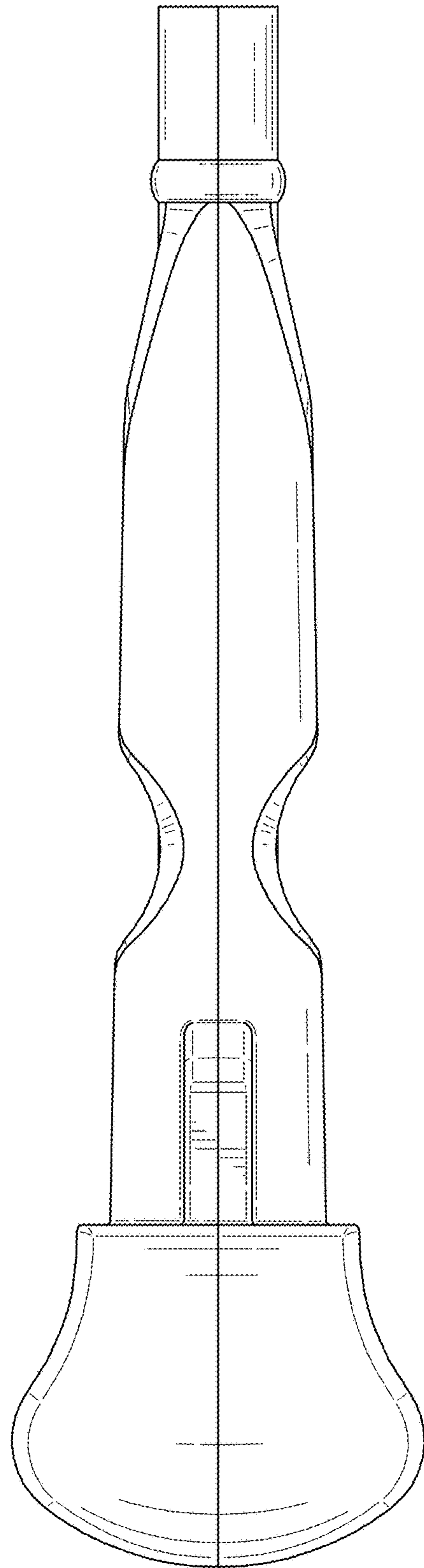


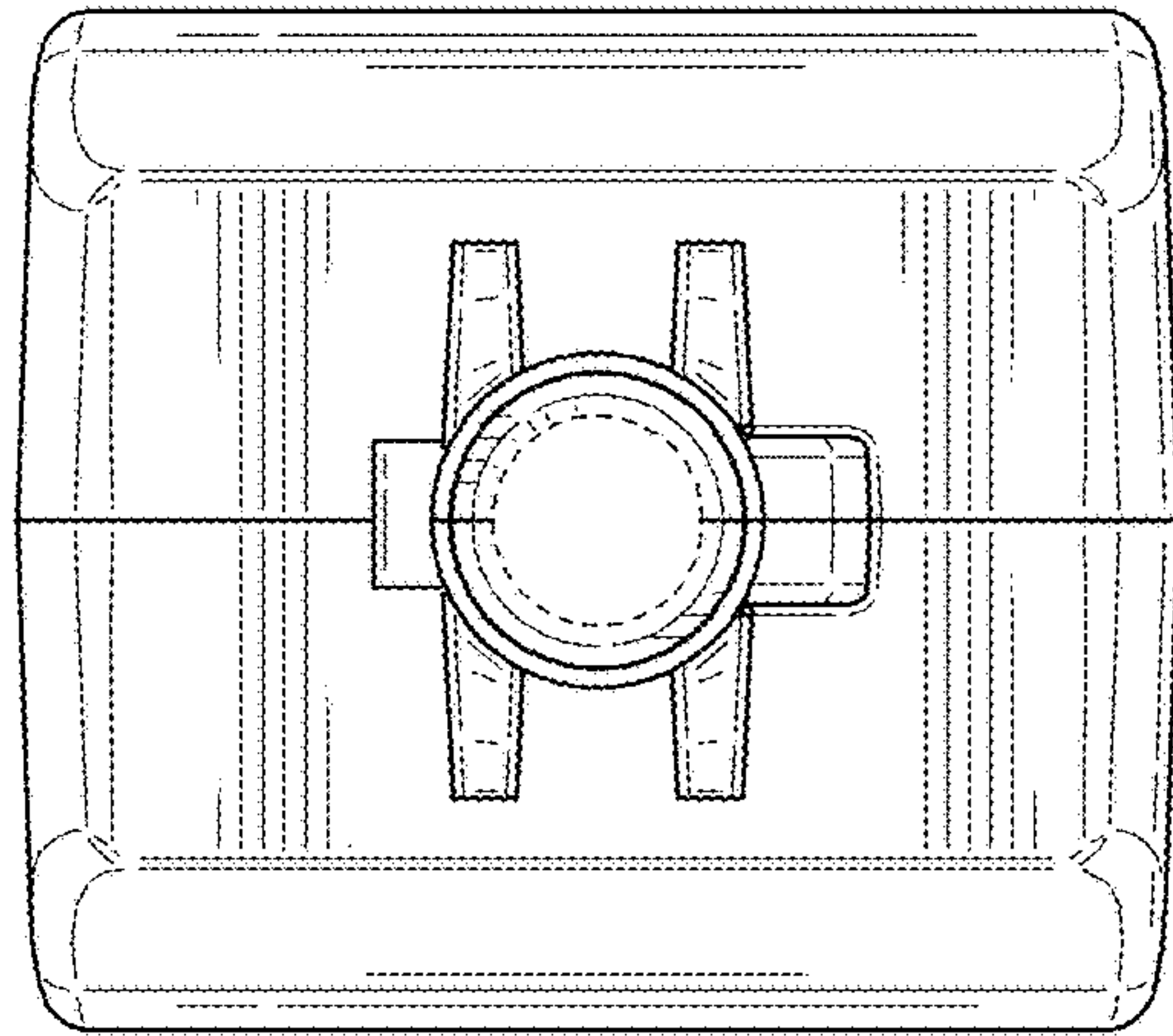
FIG. 3



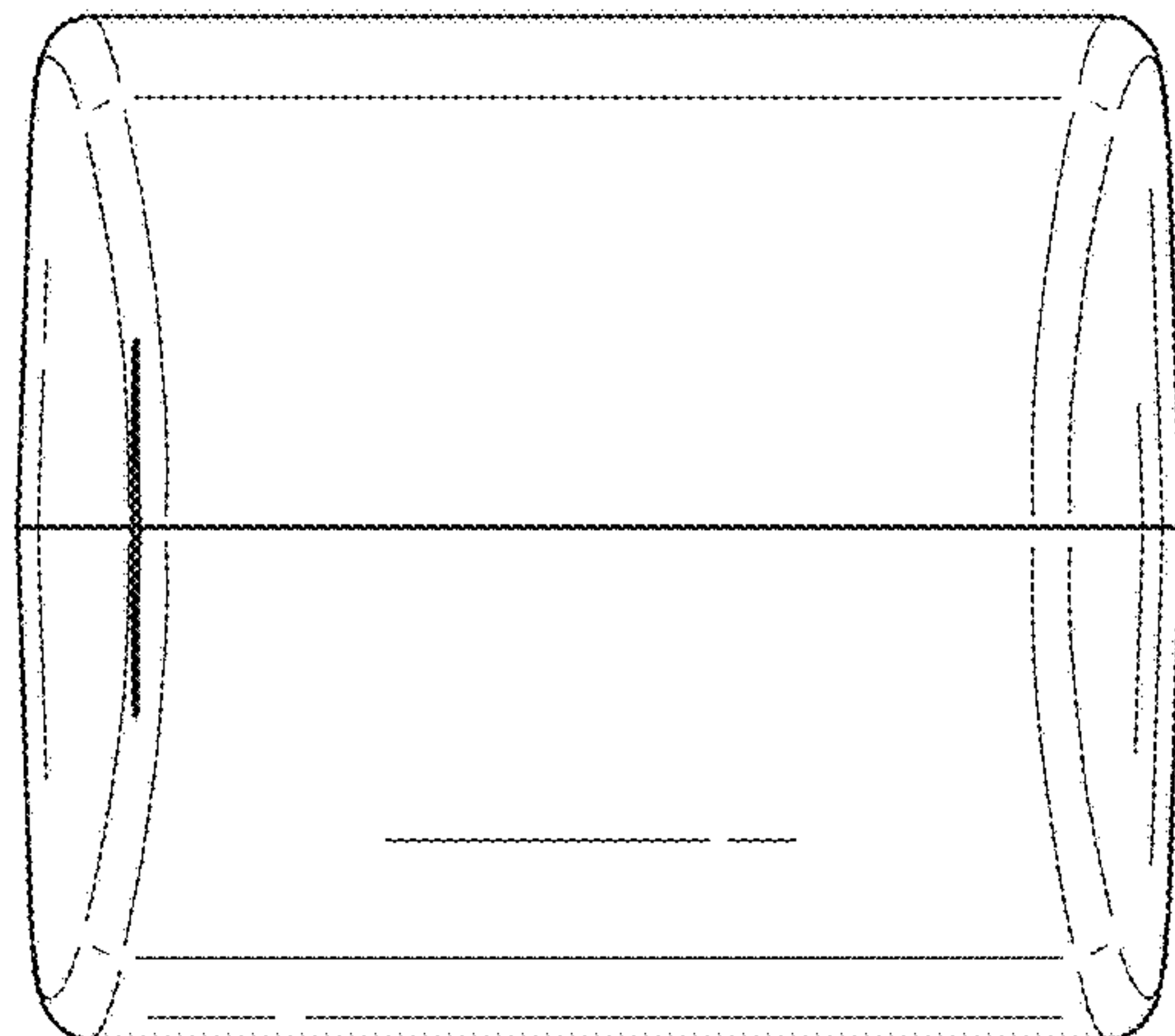
**FIG. 4**



**FIG. 5**



**FIG. 6**



**FIG. 7**