



US00D781475S

(12) **United States Design Patent**
Hart

(10) **Patent No.:** **US D781,475 S**

(45) **Date of Patent:** **** Mar. 14, 2017**

(54) **SKID MOUNTED LIGHT TOWER WITH GENERATOR**

Primary Examiner — Brian N Vinson

(74) *Attorney, Agent, or Firm* — Sander R. Gelsing

(71) Applicant: **HART OILFIELD RENTALS LTD.**,
Rocky Mountain House (CA)

(57) **CLAIM**

The ornamental design for a skid mounted light tower with generator, as shown and described.

(72) Inventor: **Gordon Hart**, Rocky Mountain House
(CA)

DESCRIPTION

(**) Term: **14 Years**

FIGS. 1 and 2 are front perspective views of the embodiment of the skid mounted light tower with generator, showing the light tower in an extended and in a retracted position respectively;

(21) Appl. No.: **29/486,476**

FIGS. 3 and 4 are rear perspective views of the skid mounted light tower with generator, showing the light tower in an extended and in a retracted position respectively;

(22) Filed: **Mar. 31, 2014**

(51) **LOC (10) Cl.** **26-03**

(52) **U.S. Cl.**
USPC **D26/34**

(58) **Field of Classification Search**

USPC D26/1, 24, 34, 63; D13/184, 112, 315;
D25/6

CPC F21S 6/00; F21S 8/00; F21S 8/003; F21S 8/032; F21S 9/00; F21S 9/04; F21V 21/00; F21V 33/00; F21V 5/00; E04H 12/10; H01J 5/48; H01J 5/50; H01J 19/54
See application file for complete search history.

FIGS. 5 and 6 are front views of the skid mounted light tower with generator, showing the light tower in an extended and in a retracted position respectively;

FIGS. 7 and 8 are left side views of the skid mounted light tower with generator, showing the light tower in an extended and in a retracted position respectively;

FIGS. 9 and 10 are rear views of the skid mounted light tower with generator, showing the light tower in an extended and in a retracted position respectively;

FIGS. 11 and 12 are right side views of the skid mounted light tower with generator, showing the light tower in an extended and in a retracted position respectively;

FIG. 13 is a top view of the skid mounted light tower with generator; and,

FIG. 14 is a bottom view of the skid mounted light tower with generator.

The broken lines shown in the drawings form no part of the claimed design.

(56) **References Cited**

U.S. PATENT DOCUMENTS

- 2,237,965 A * 4/1941 Kendrick E04H 12/10
52/651.06
- D731,425 S * 6/2015 Hart D13/112
- D750,812 S * 3/2016 Burnett D26/1
- D763,191 S * 8/2016 Shatek D13/112

* cited by examiner

1 Claim, 14 Drawing Sheets

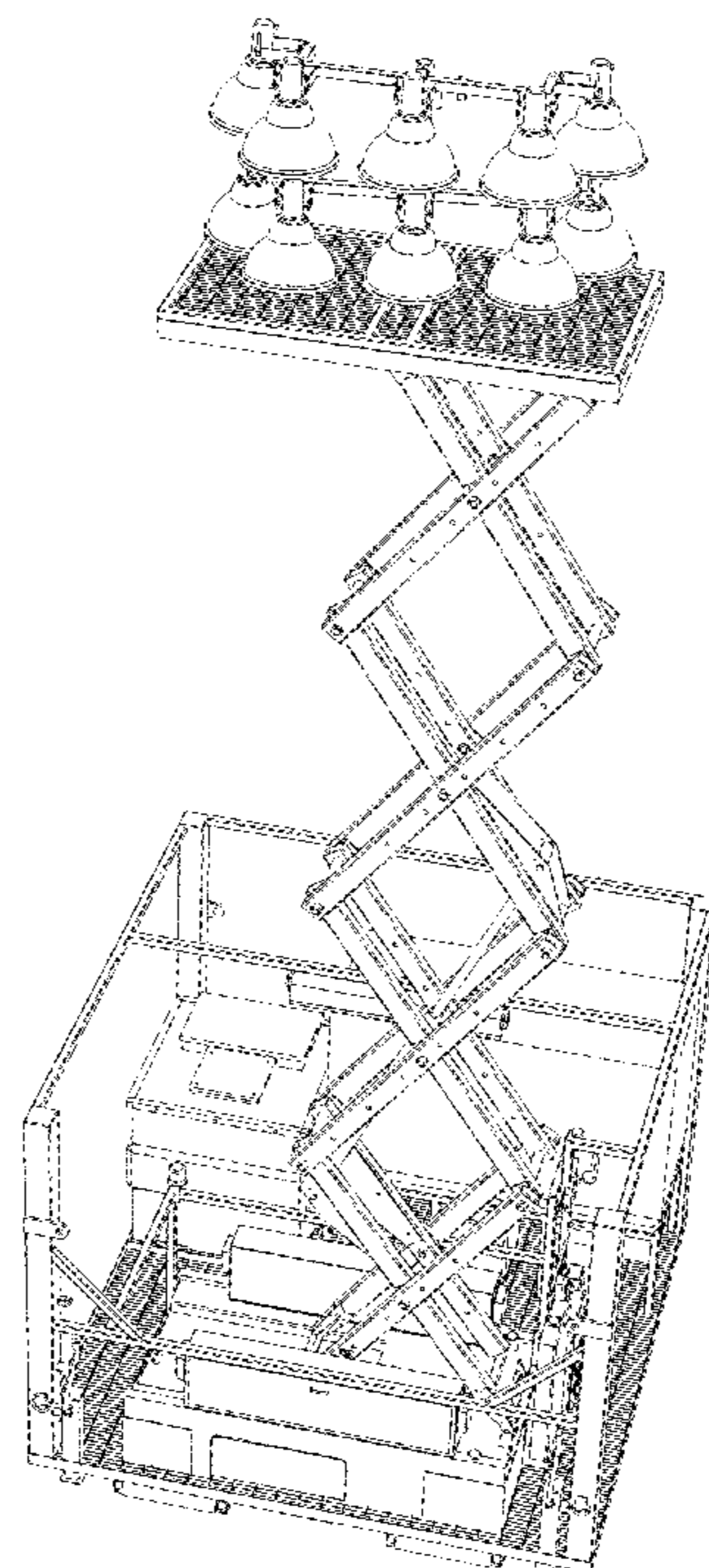


FIG. 1

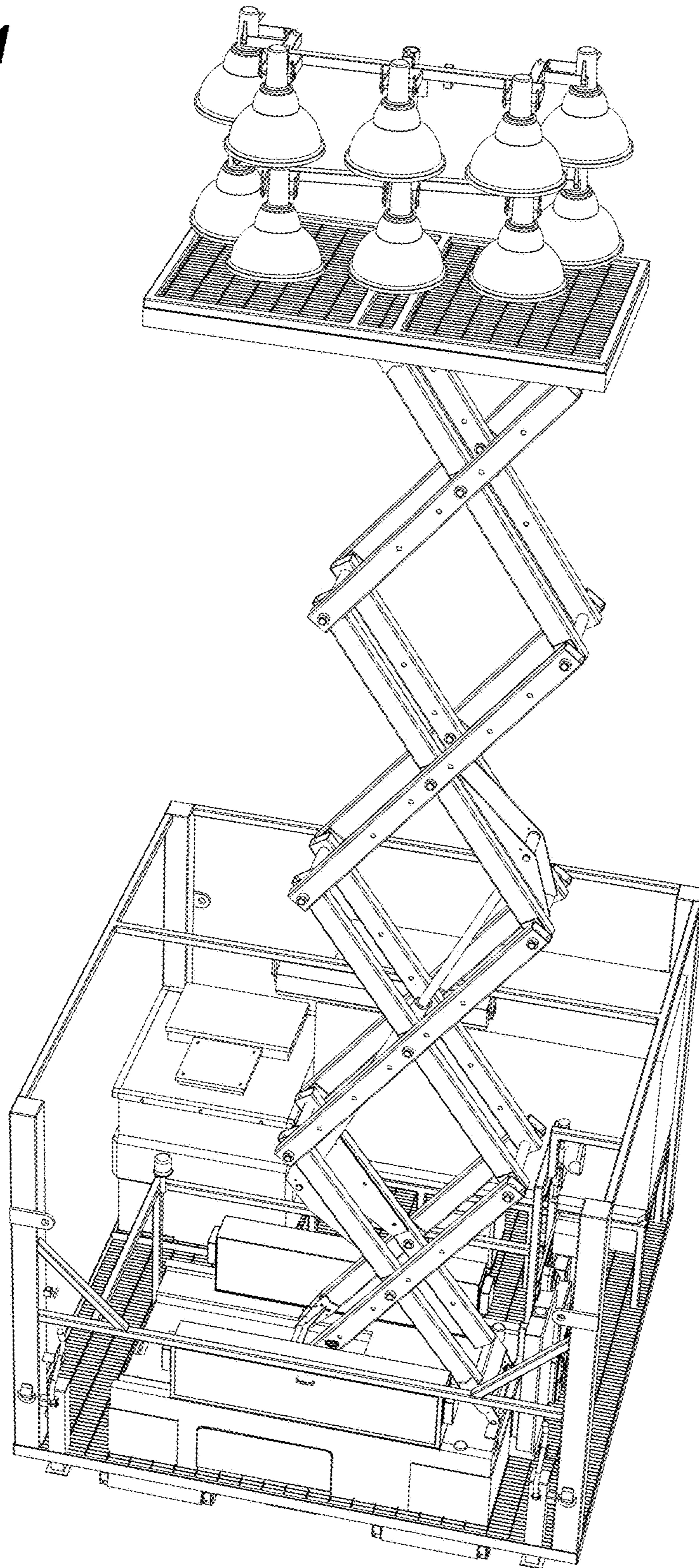


FIG. 2

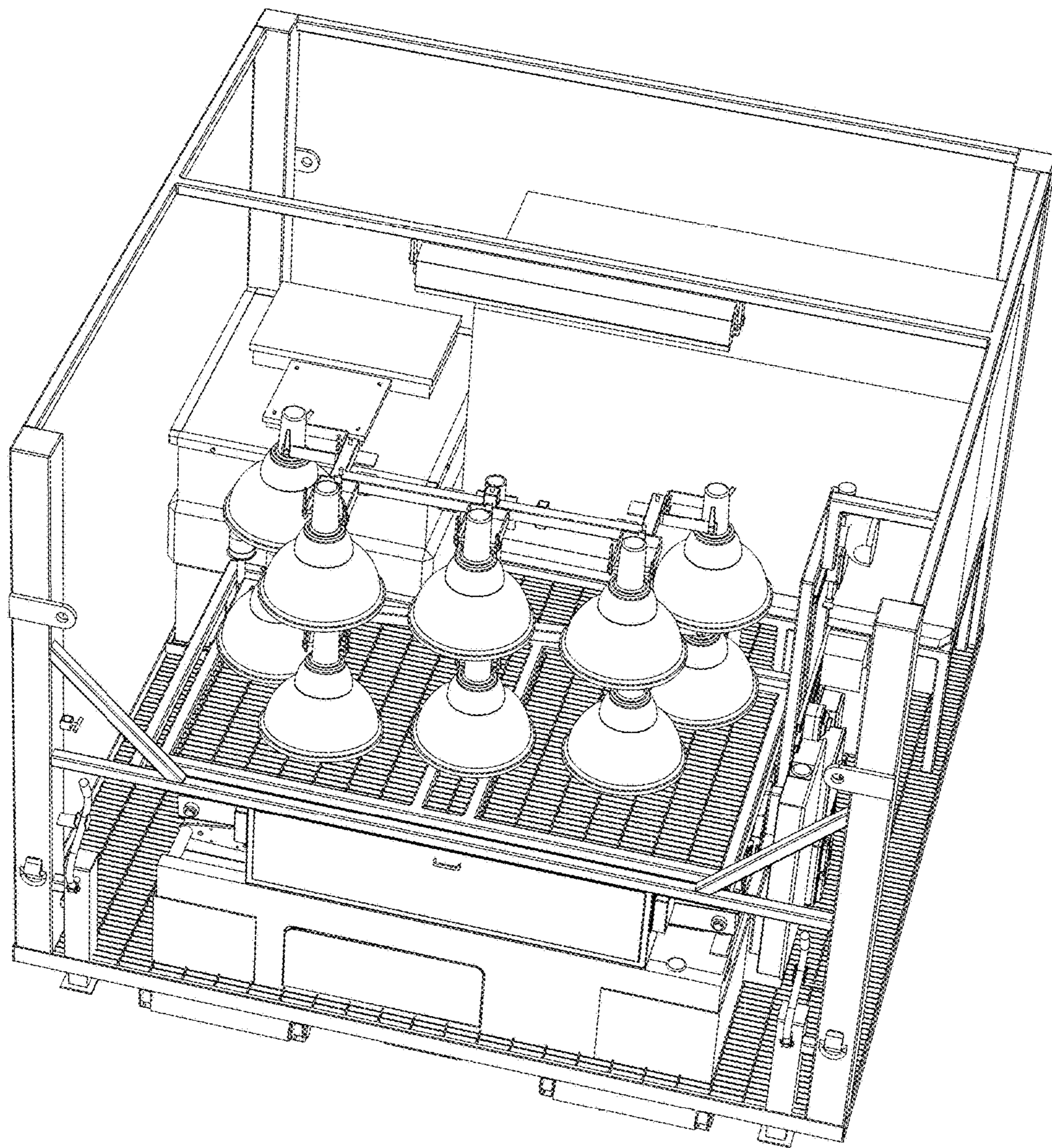


FIG. 3

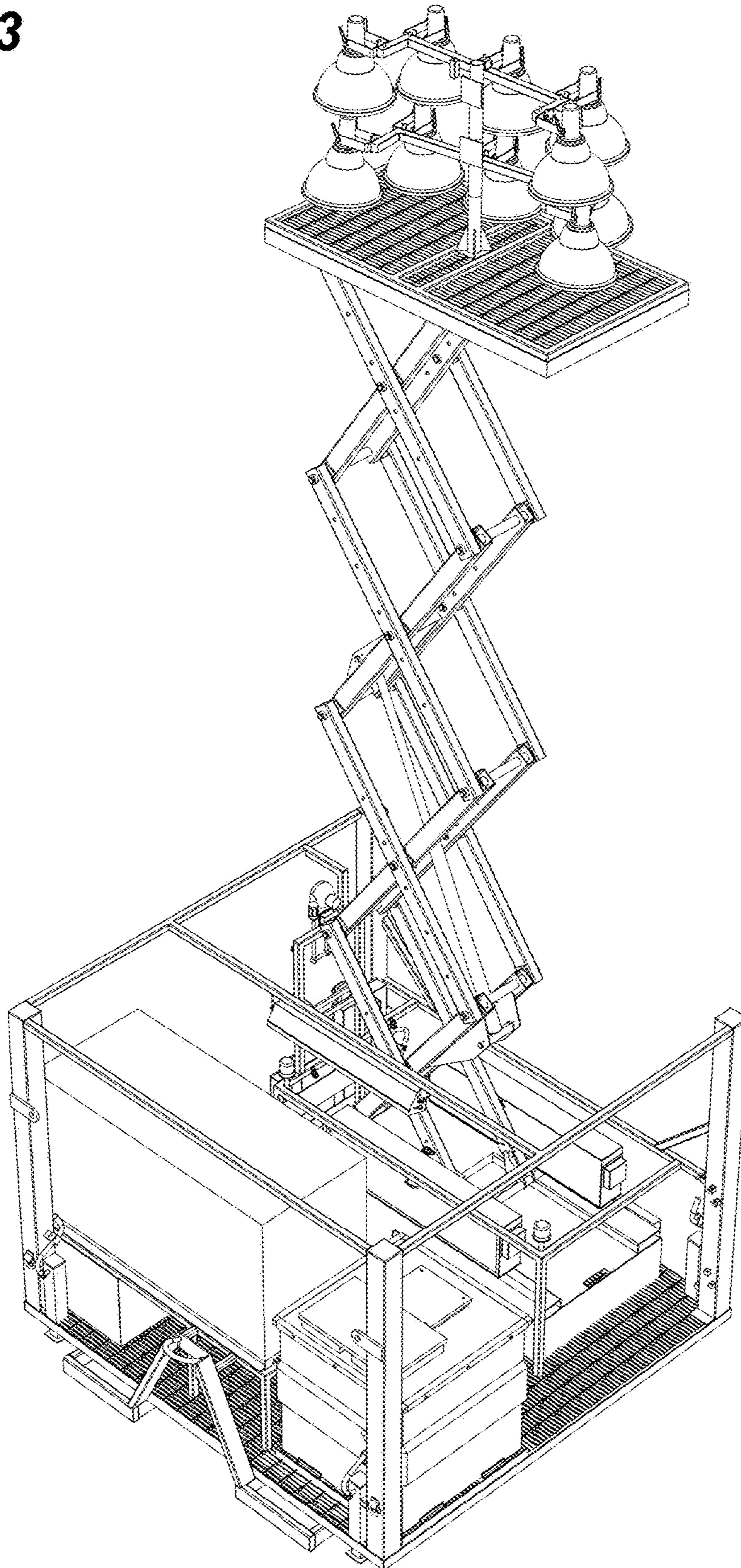


FIG. 4

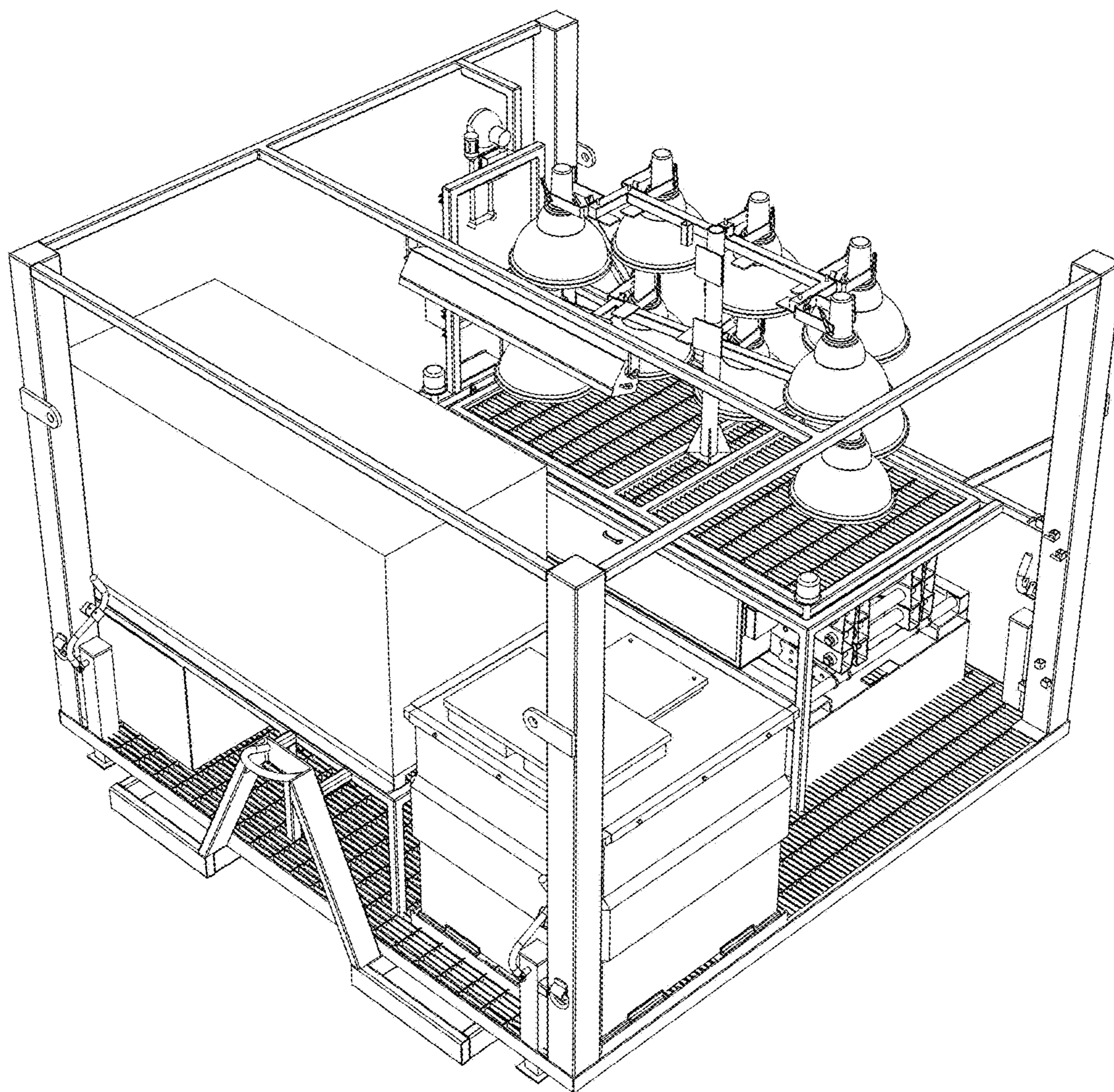


FIG. 5

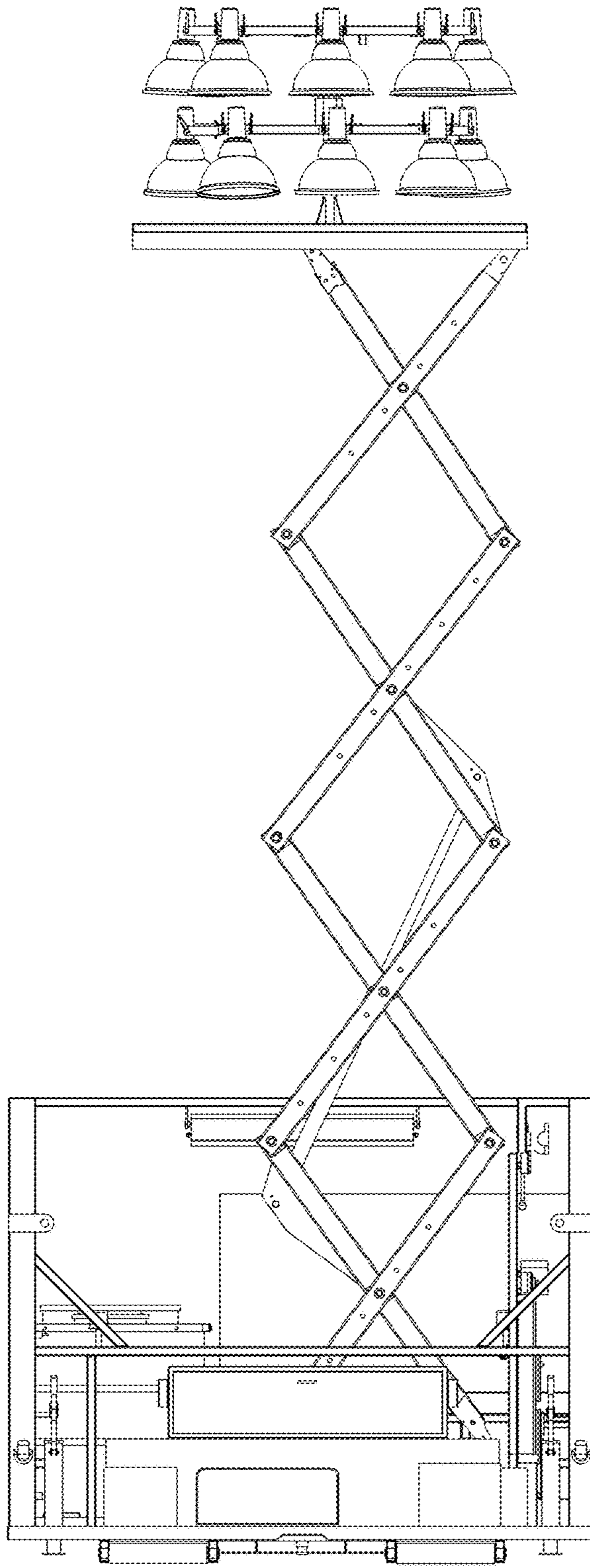


FIG. 6

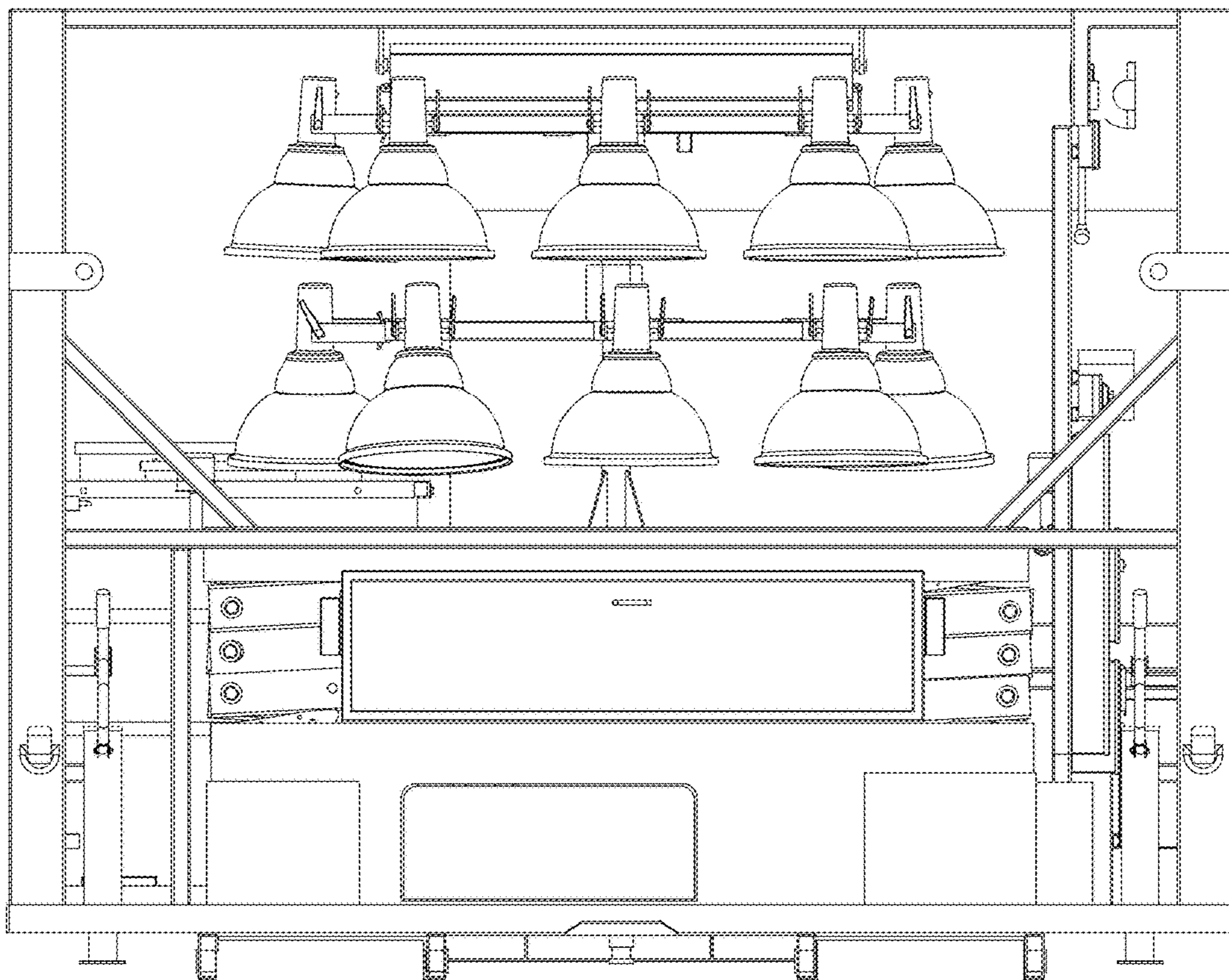


FIG. 7

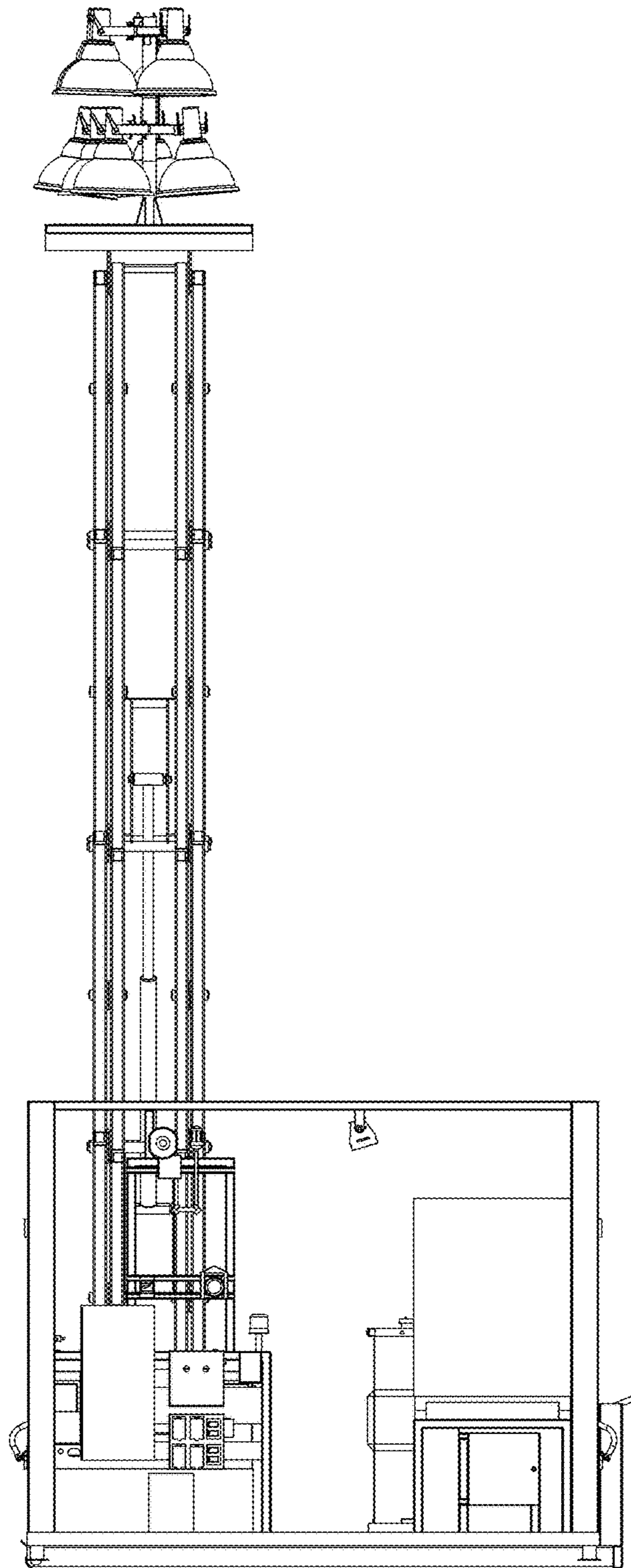


FIG. 8

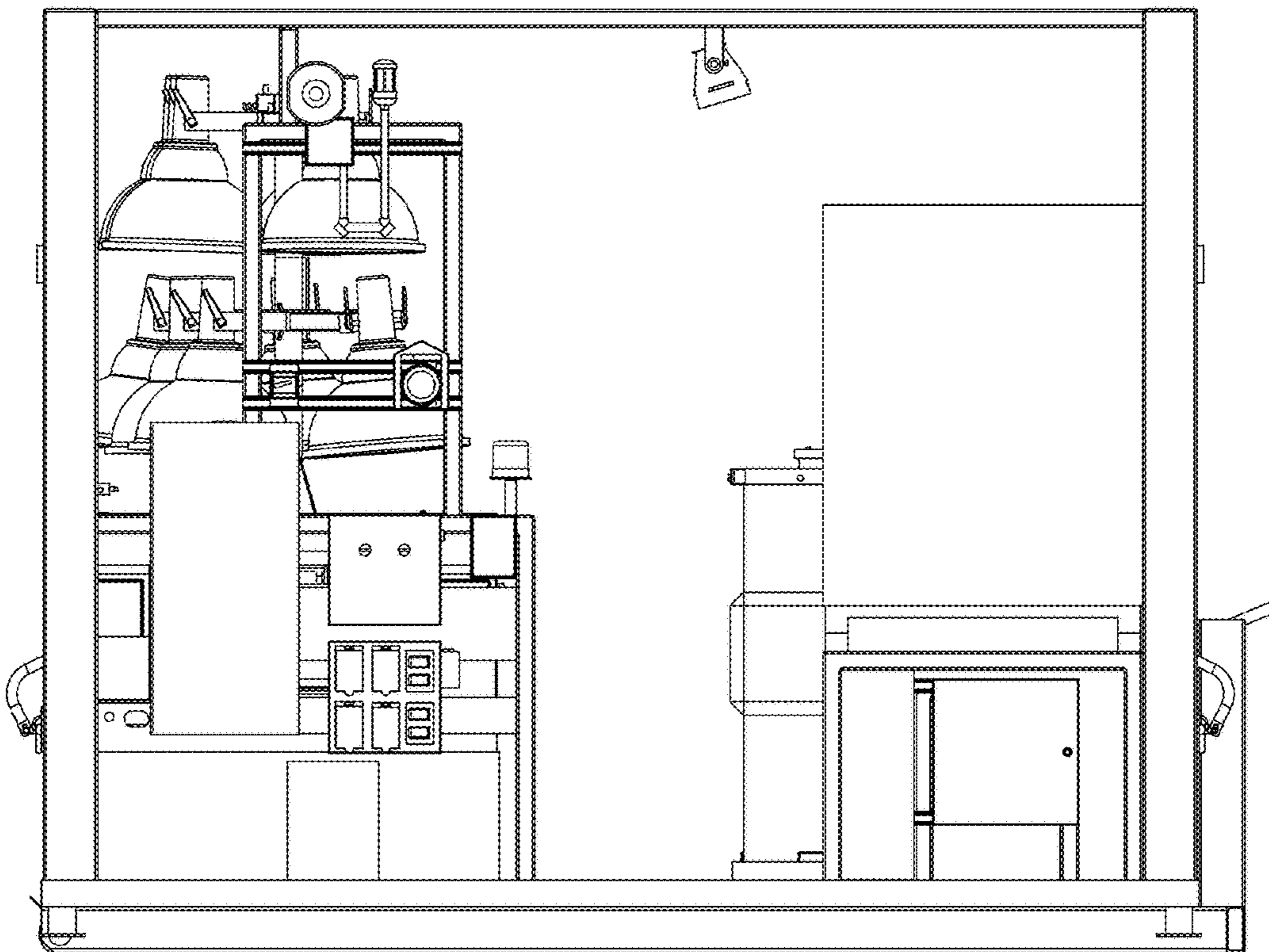


FIG. 9

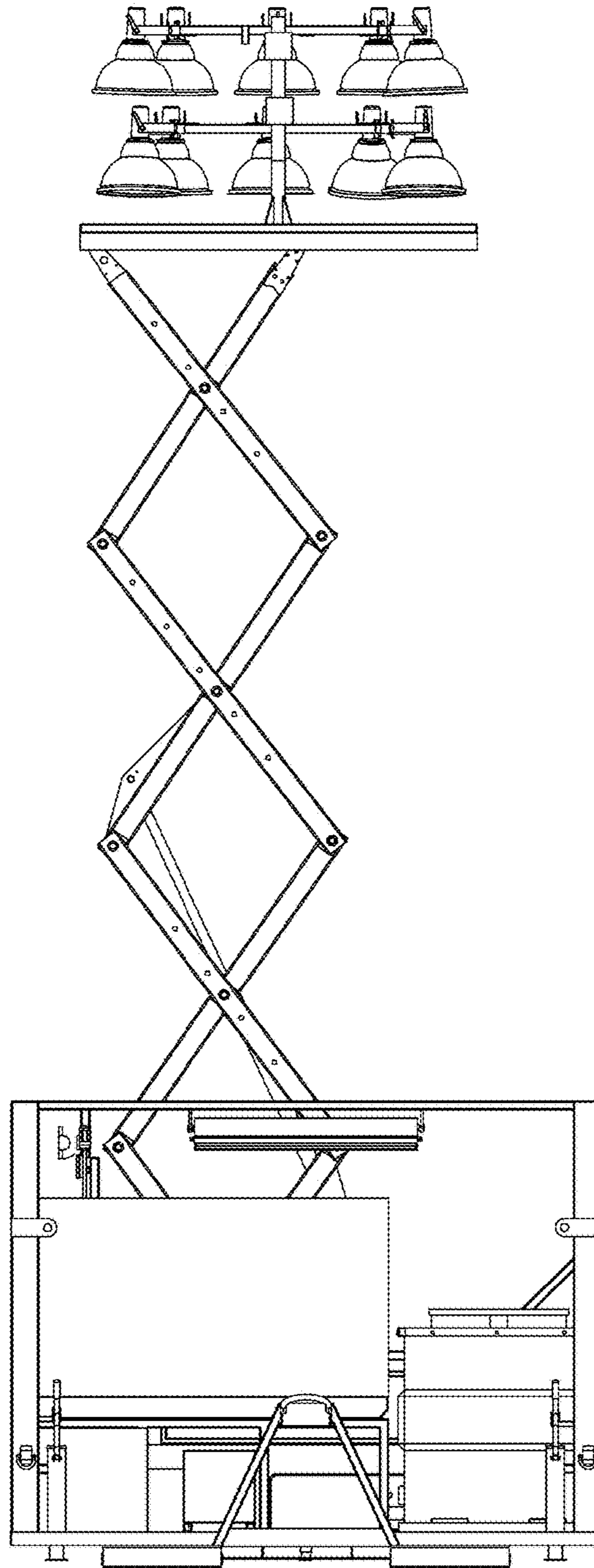


FIG. 10

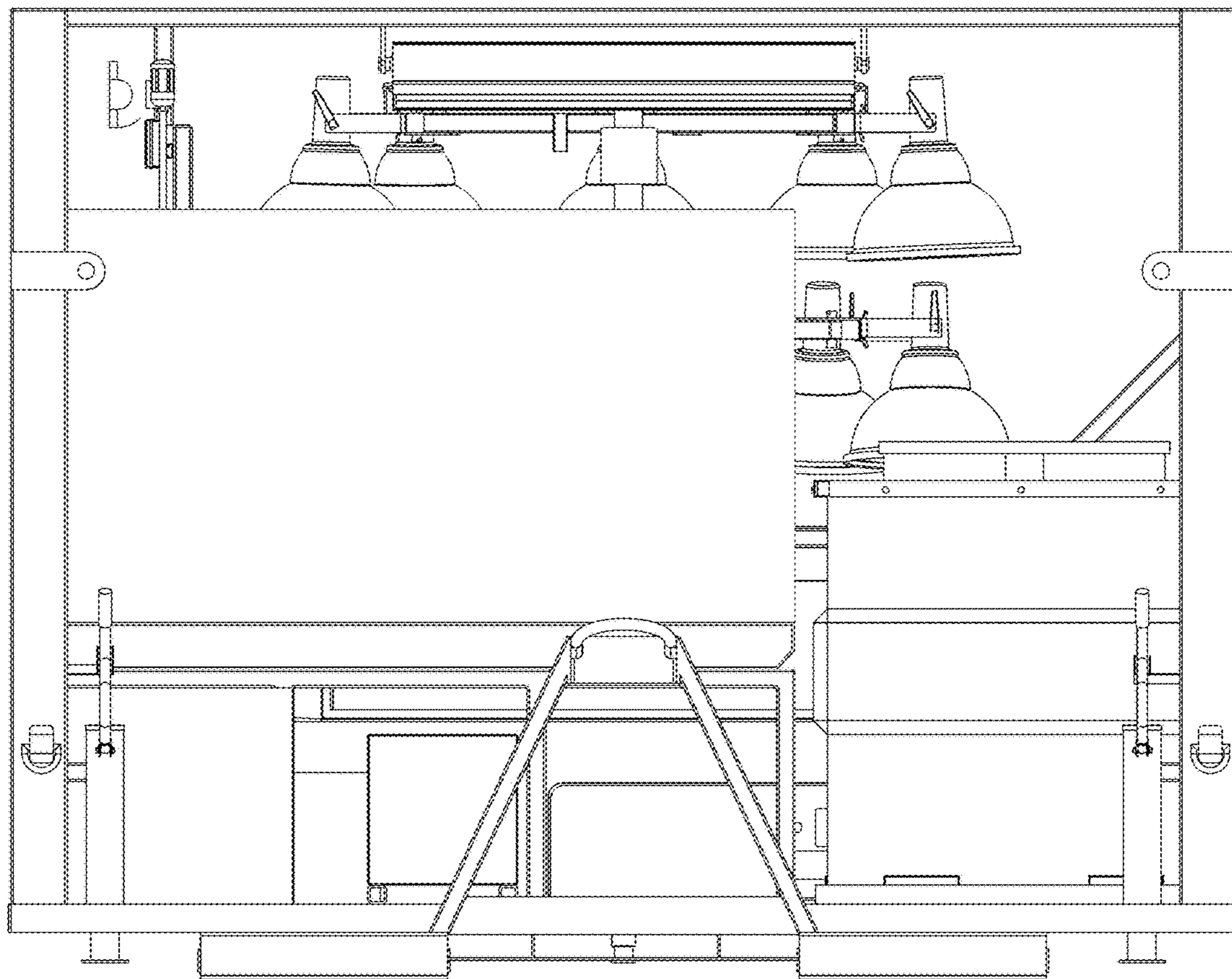


FIG. 11

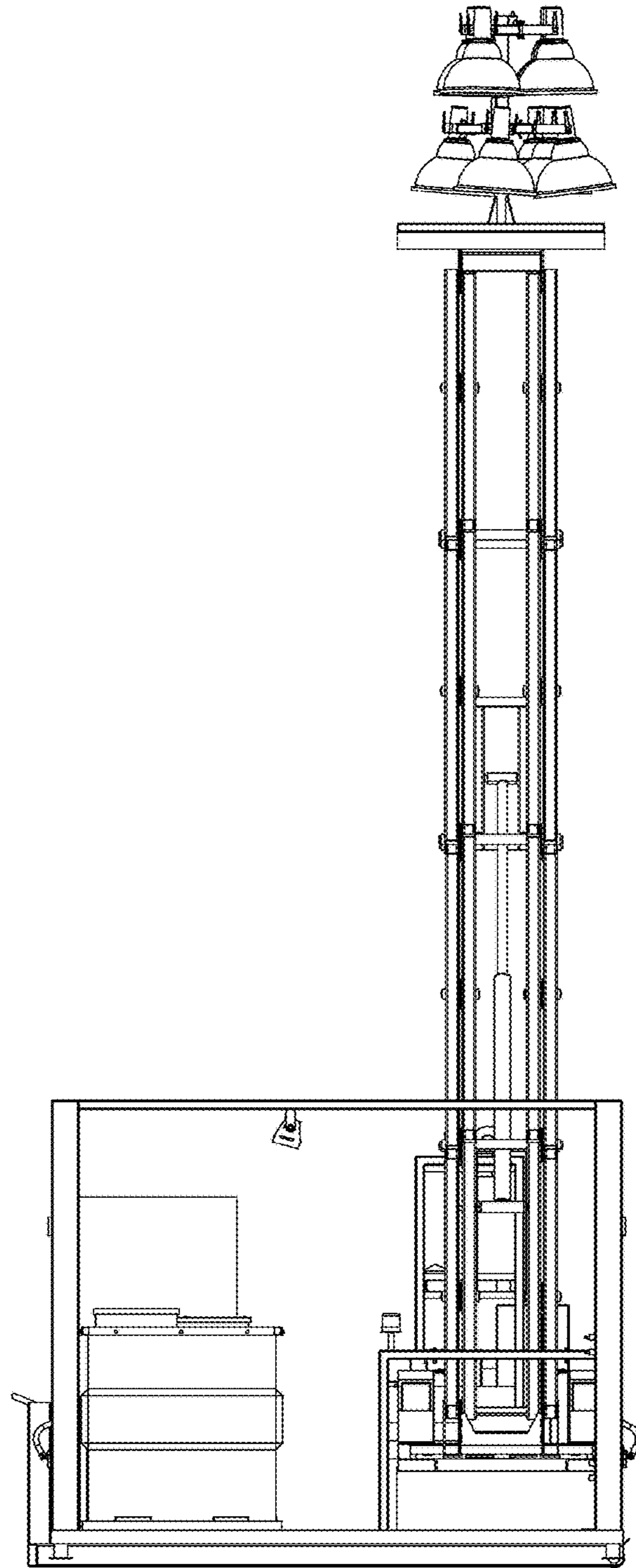


FIG. 12

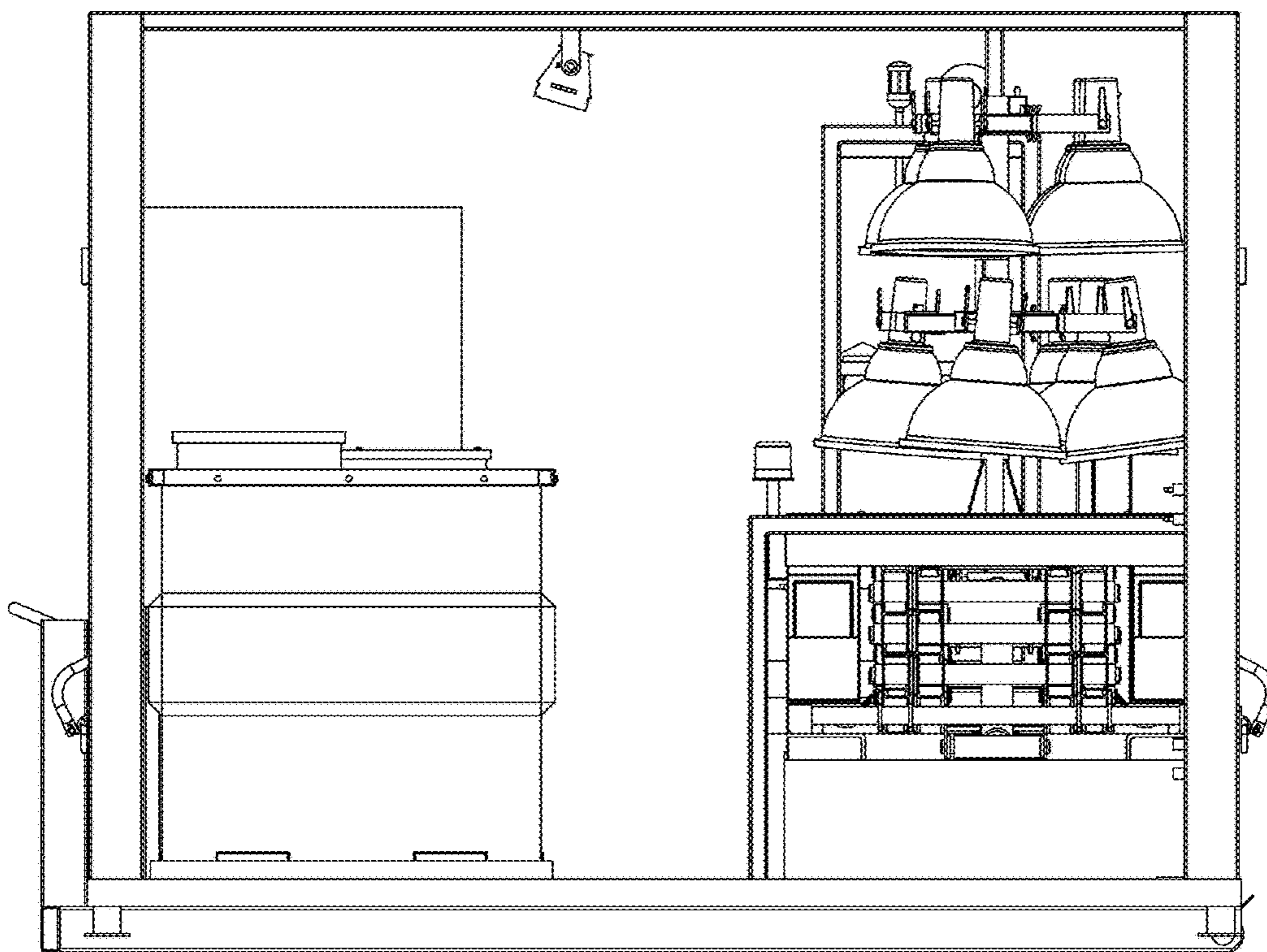


Figure 13

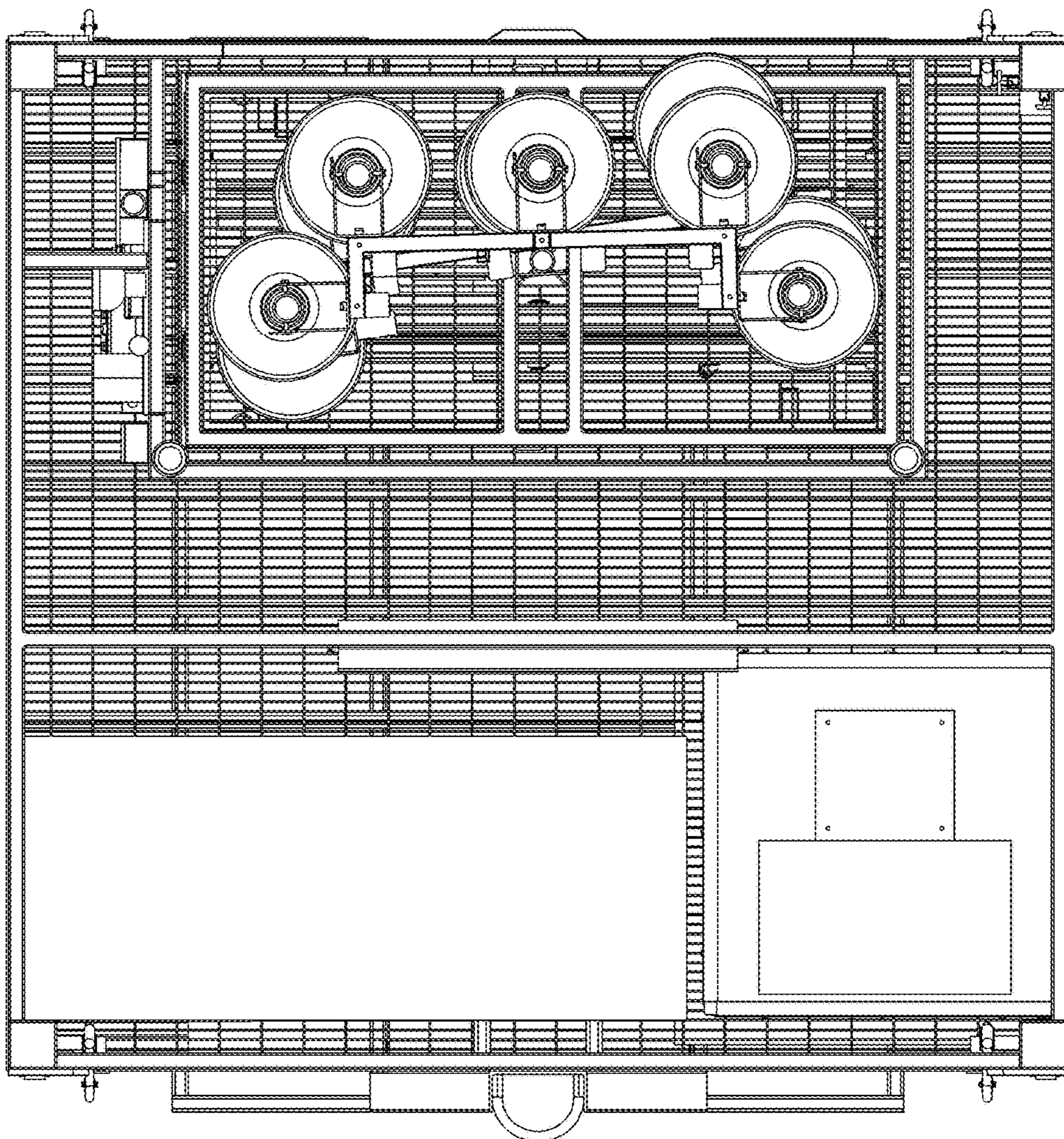


FIG. 14

