



US00D781473S

(12) **United States Design Patent**
Wheel

(10) **Patent No.:** **US D781,473 S**

(45) **Date of Patent:** **** Mar. 14, 2017**

(54) **HEAD LAMP**

(71) Applicant: **Jaguar Land Rover Limited**, Whitley,
Coventry (GB)

(72) Inventor: **Andrew Wheel**, Coventry (GB)

(73) Assignee: **Jaguar Land Rover Limited**, Whitley,
Coventry (GB)

(**) Term: **15 Years**

(21) Appl. No.: **29/567,489**

(22) Filed: **Jun. 9, 2016**

Related U.S. Application Data

(62) Division of application No. 29/527,580, filed on May
20, 2015, now Pat. No. Des. 768,319.

(30) **Foreign Application Priority Data**

Feb. 20, 2015 (EM) 002638171

(51) **LOC (10) Cl.** **28-07**

(52) **U.S. Cl.**
USPC **D26/28**

(58) **Field of Classification Search**

USPC D26/28-36; 362/459-468, 475-478,
362/485-487

CPC F21S 48/00; F21S 48/10; F21S 48/115;
F21S 48/225; F21S 48/1233; F21S
48/1266; F21S 48/1388; F21S 48/2268;
F21V 21/04

See application file for complete search history.

(56) **References Cited**

U.S. PATENT DOCUMENTS

D546,986 S * 7/2007 Platto D26/28
D714,978 S * 10/2014 Lee D26/28

D719,691 S * 12/2014 Nordmann D26/28
D720,872 S * 1/2015 Lim D26/28
D740,979 S * 10/2015 Lee D26/28
D741,522 S * 10/2015 Hanaoka D26/28
D749,759 S * 2/2016 Beaven D26/28
D750,292 S * 2/2016 Platto D26/28
D759,862 S * 6/2016 Shim D26/28
D764,082 S * 8/2016 Frascella D26/28
D767,804 S * 9/2016 Wheel D26/28

(Continued)

Primary Examiner — Angela J Lee

(74) *Attorney, Agent, or Firm* — Wood Herron & Evans
LLP

(57) **CLAIM**

The ornamental design for a head lamp, as shown and
described.

DESCRIPTION

FIG. 1 is a front view of a head lamp for a vehicle according
to the present invention.

FIG. 2 is a rear view of the head lamp shown in FIG. 1.

FIG. 3 is a left side view thereof.

FIG. 4 is a right side view thereof.

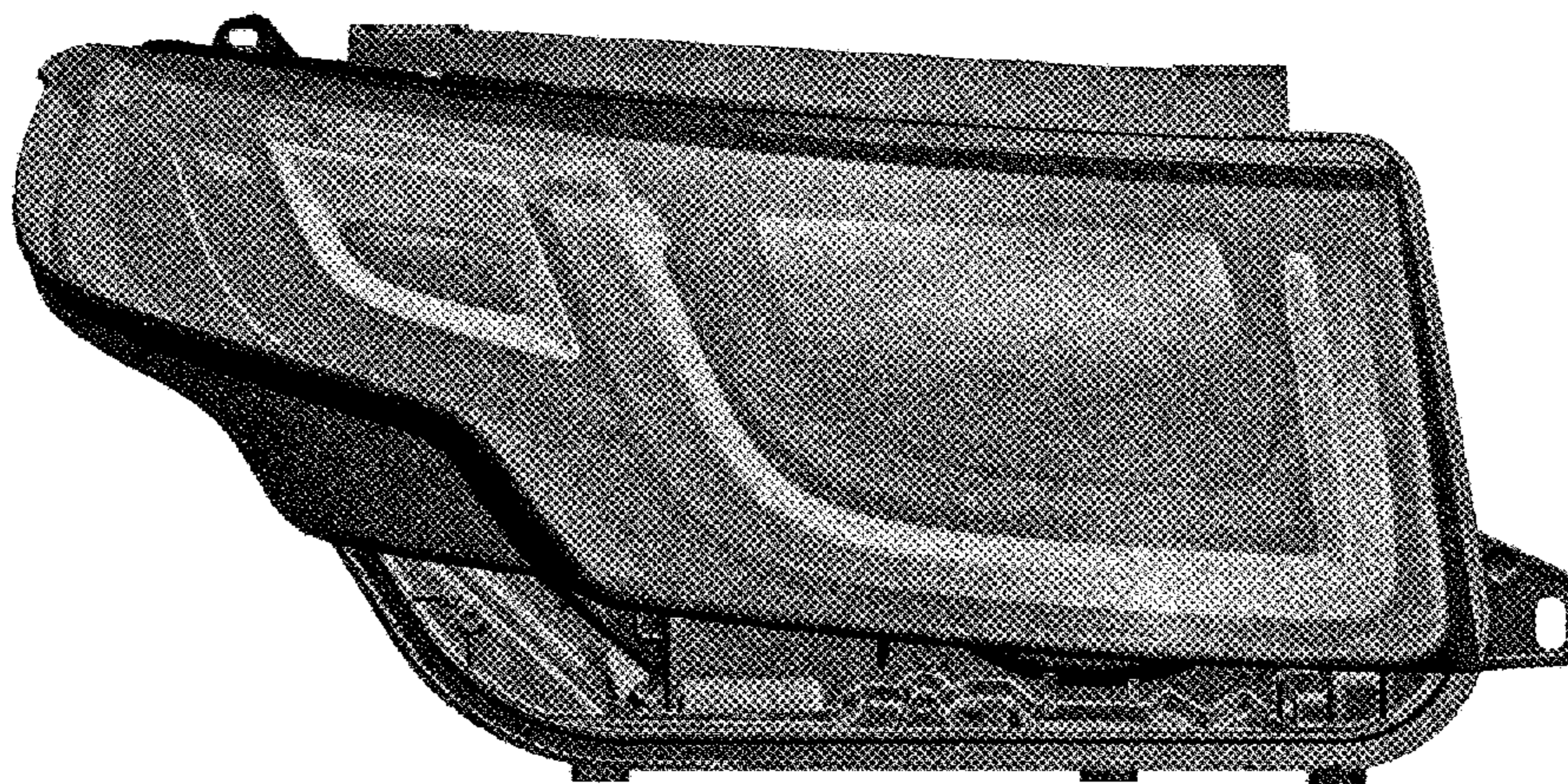
FIG. 5 is a top view thereof.

FIG. 6 is a front three-quarter view thereof.

FIG. 7 is a rear three-quarter view thereof; and,

FIG. 8 is a front three-quarter view of the head lamp shown
in FIG. 1, with the head lamp shown mounted on a vehicle
that is depicted in de-emphasized and halftone portions so as
to illustrate the environmental structure. These portions
form no part of the claimed invention. More particularly, in
FIG. 8, the head lamp of the present invention is shown
within the broken lines, and any elements shown outside of
the broken lines form no part of the claimed invention, but
are instead included to show environmental aspects of the
claimed invention.

1 Claim, 5 Drawing Sheets



(56)

References Cited

U.S. PATENT DOCUMENTS

D768,319 S * 10/2016 Wheel D26/28

* cited by examiner

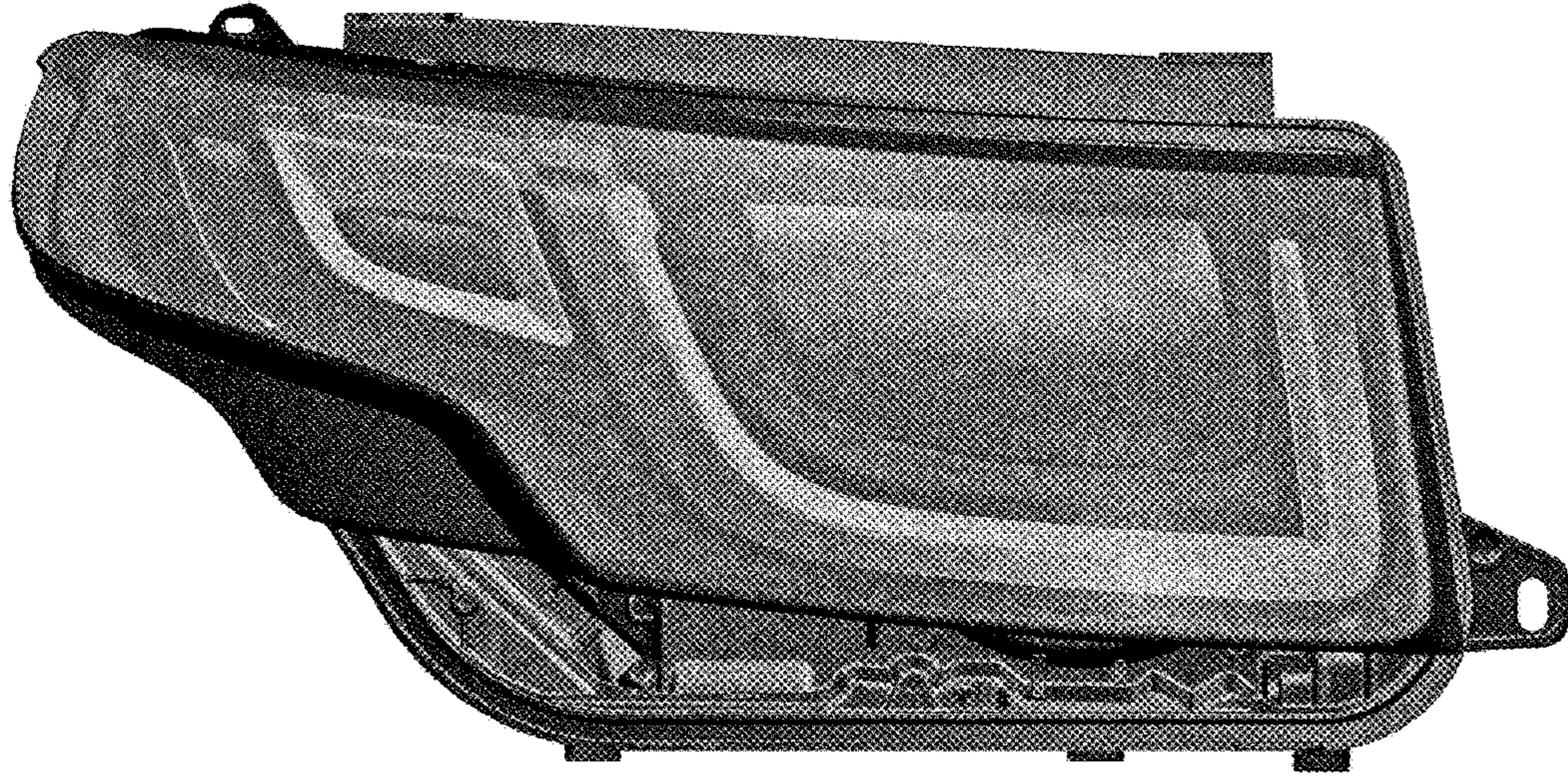


FIG. 1

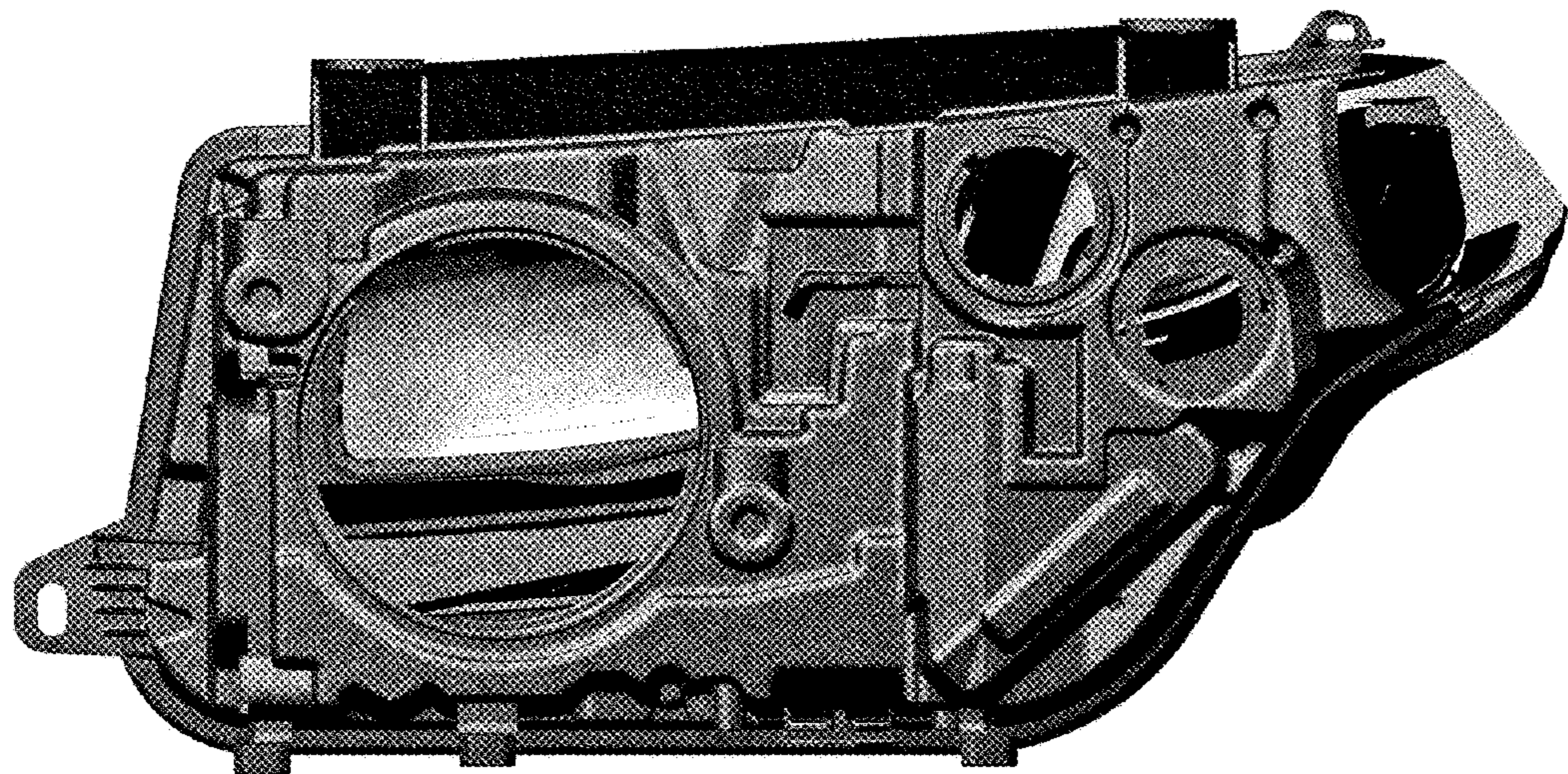


FIG. 2

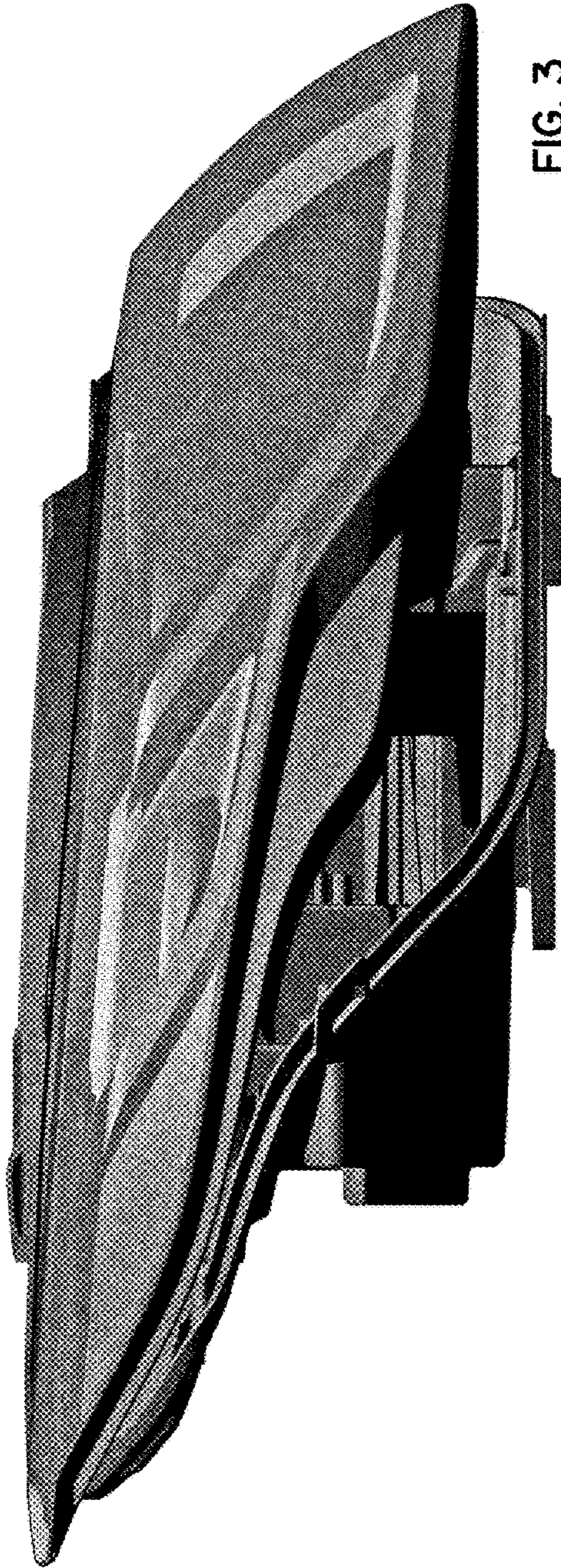


FIG. 3

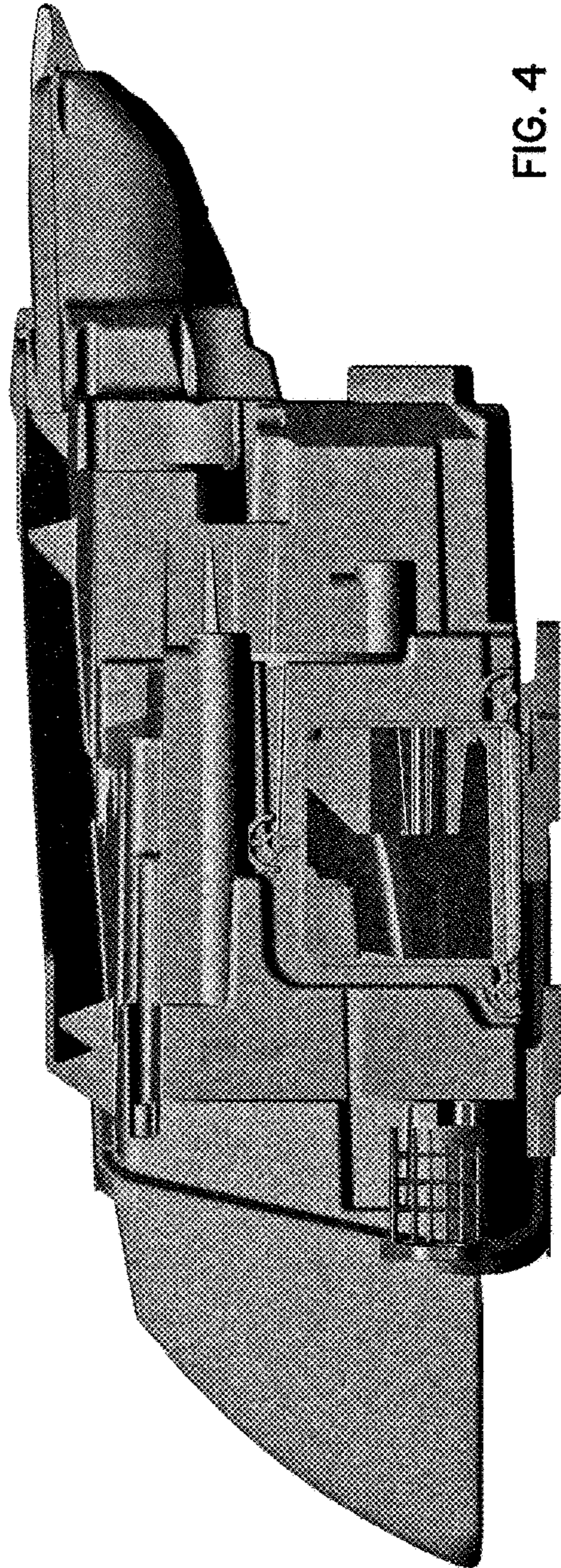


FIG. 4

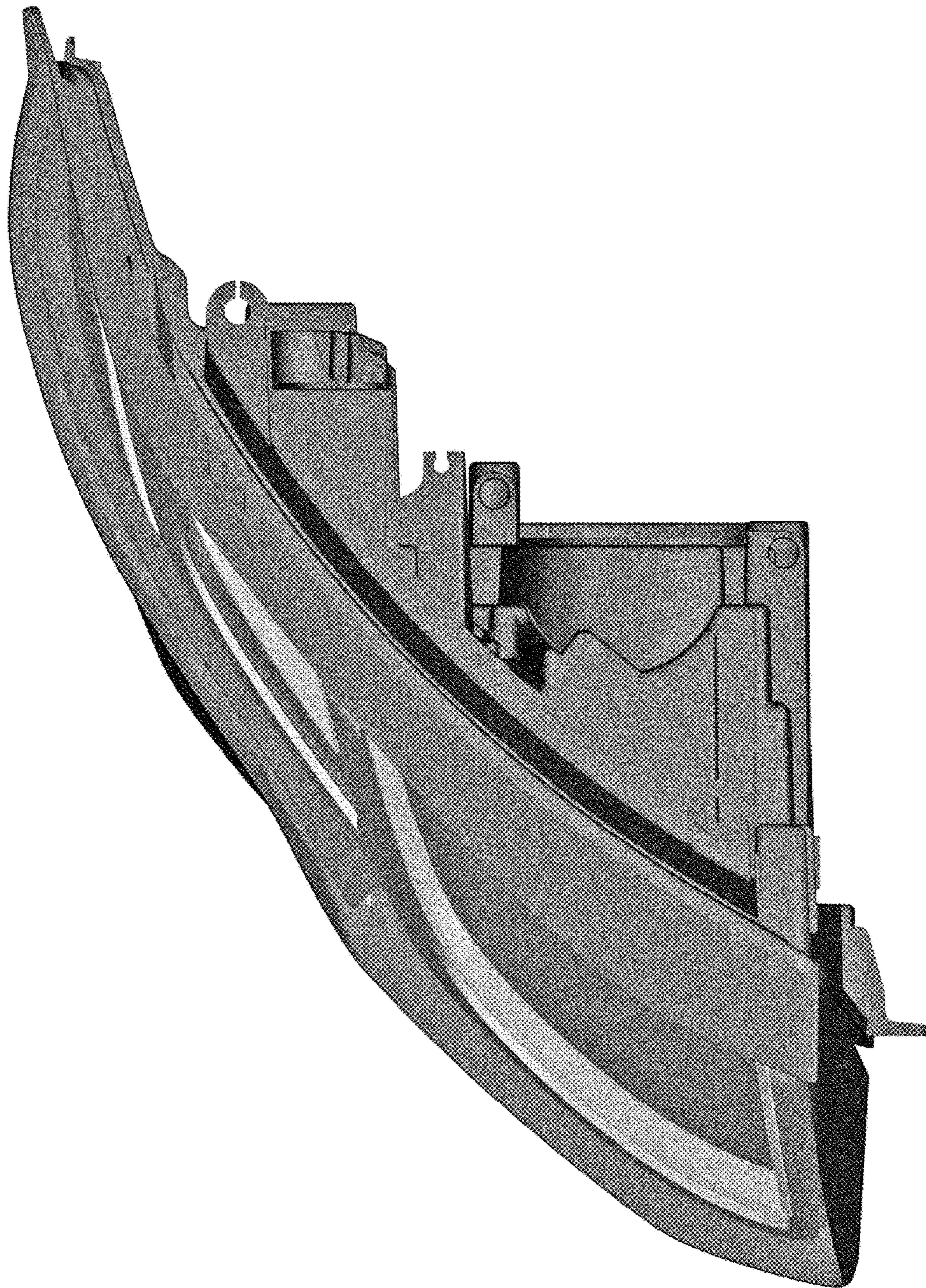


FIG. 5

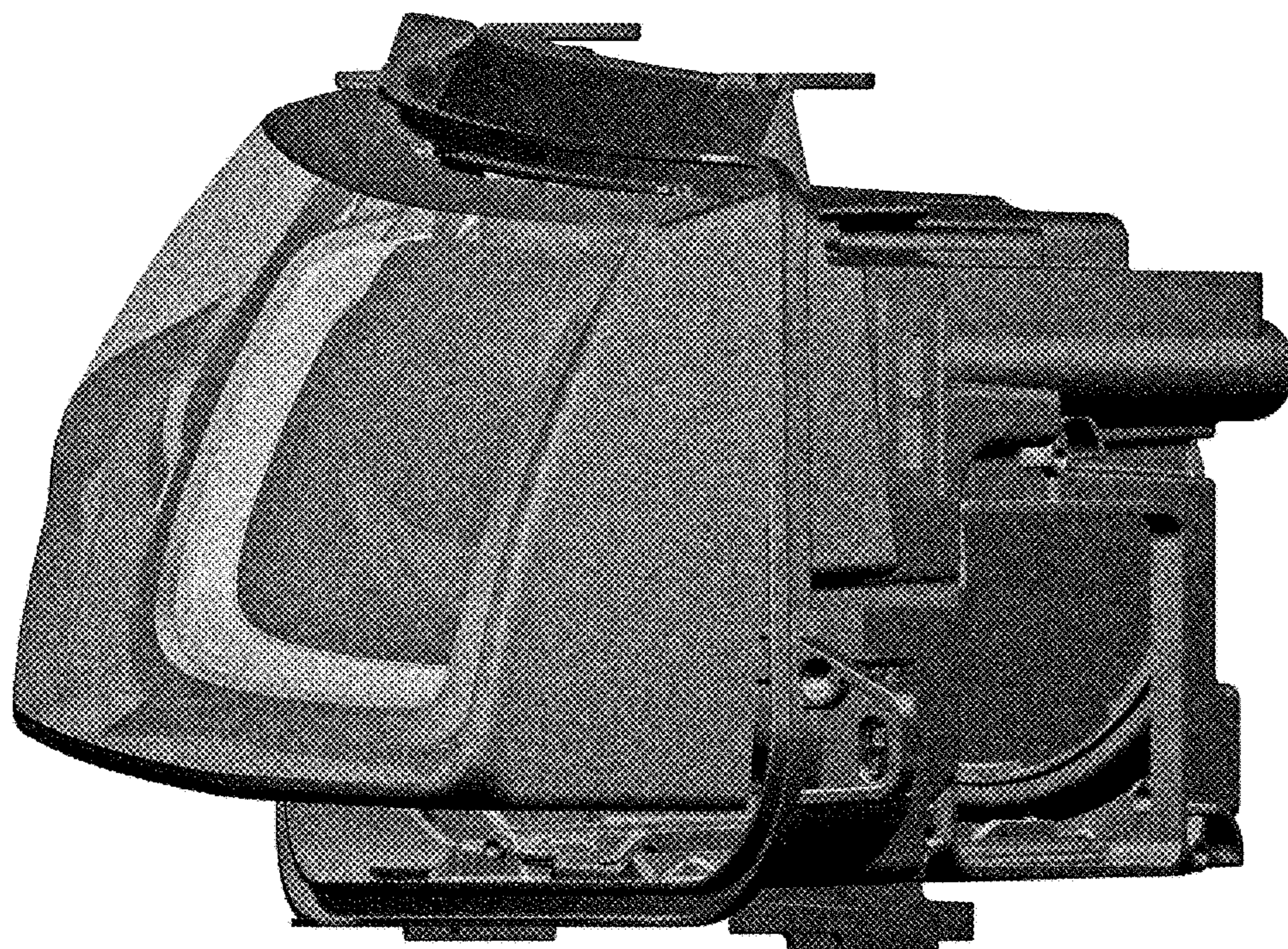


FIG. 6

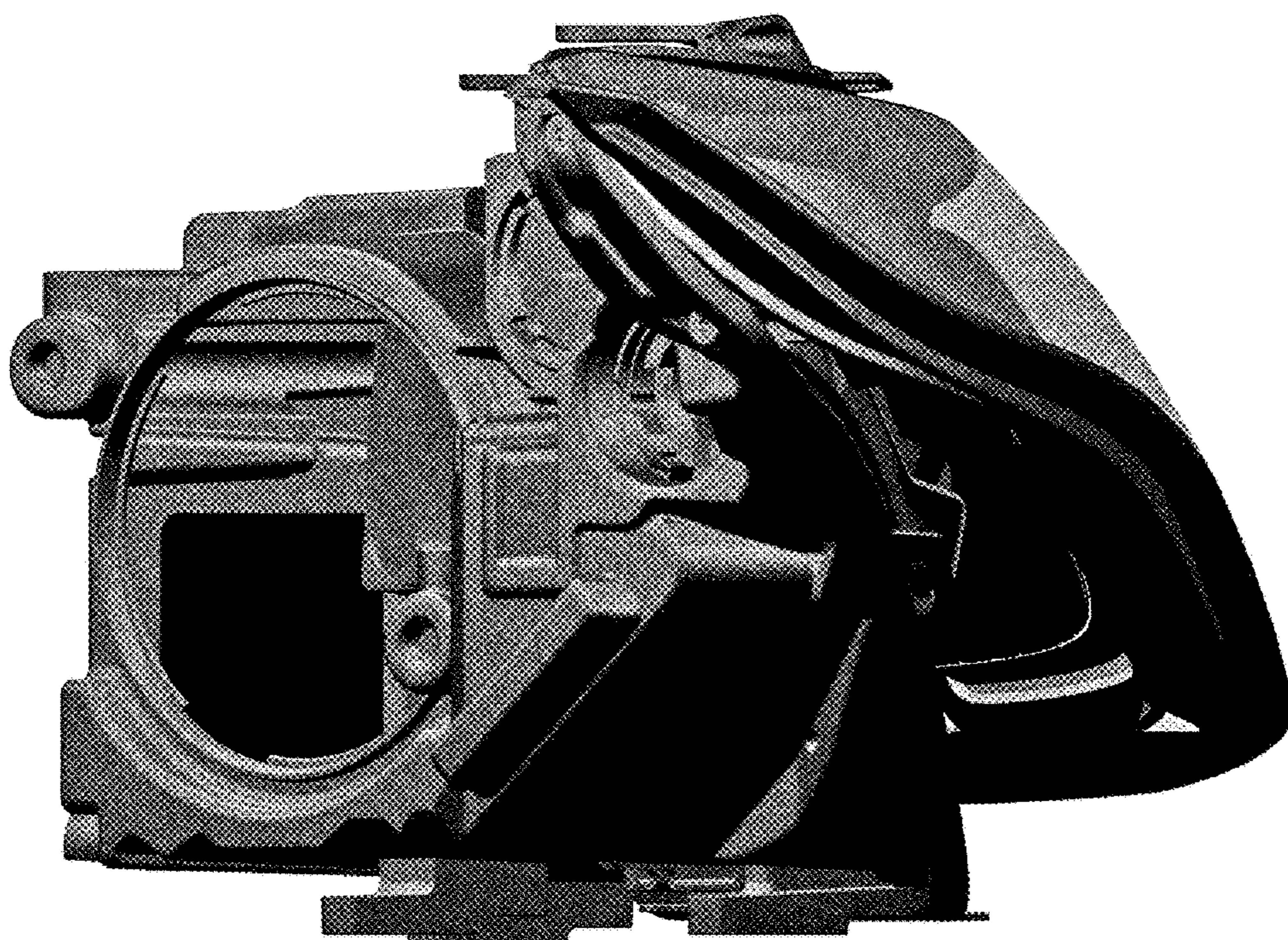


FIG. 7



FIG. 8