



US00D781472S

(12) **United States Design Patent** (10) **Patent No.:** **US D781,472 S**
Hirai (45) **Date of Patent:** **** Mar. 14, 2017**

(54) **FRONT COMBINATION LAMP FOR AN AUTOMOBILE**
(71) Applicant: **Tokiko Hirai**, Nagakute (JP)
(72) Inventor: **Tokiko Hirai**, Nagakute (JP)
(73) Assignee: **Toyota Jidosha Kabushiki Kaisha** (JP)
(**) Term: **15 Years**
(21) Appl. No.: **29/553,357**
(22) Filed: **Feb. 1, 2016**
(51) **LOC (10) Cl.** **26-06**
(52) **U.S. Cl.**
USPC **D26/28**
(58) **Field of Classification Search**
USPC D26/28–36; 362/80–83, 267–269,
362/459–468, 475–478, 485–487
CPC F21S 48/00; F21S 48/10; F21S 48/115;
F21S 48/225; F21S 48/1233; F21S
48/1266; F21S 48/1388; F21S 48/2268;
F21V 21/04
See application file for complete search history.

(56) **References Cited**
U.S. PATENT DOCUMENTS
D528,685 S * 9/2006 Yoshida D26/28
D544,114 S * 6/2007 Ohta D26/28
D560,291 S * 1/2008 Koyama D26/28
D561,358 S * 2/2008 Tachibana D26/28
D597,232 S * 7/2009 Hanaoka D26/28
D726,941 S * 4/2015 Kato D26/28
D728,133 S * 4/2015 Bieling D26/28

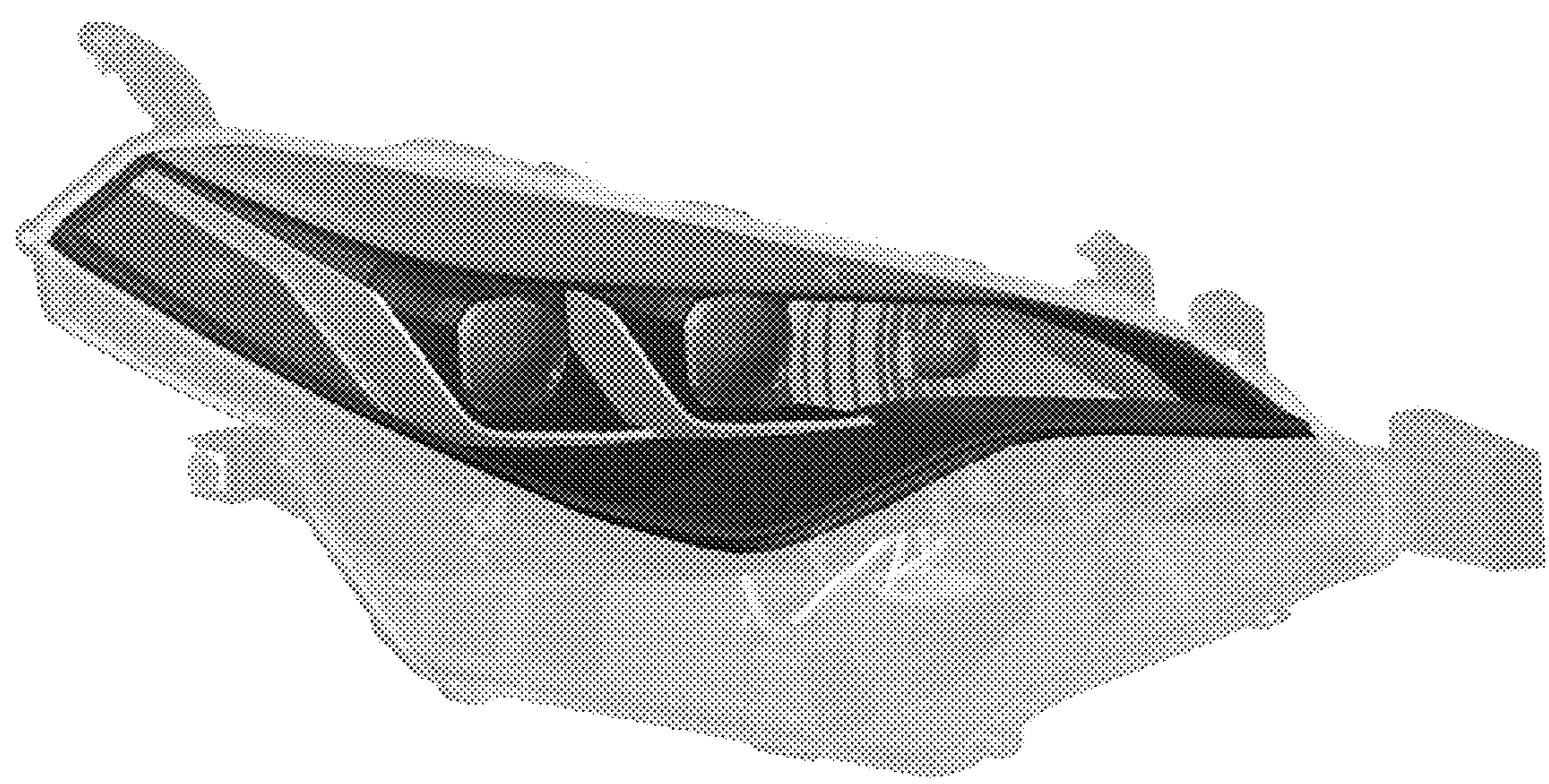
OTHER PUBLICATIONS
Toyota, Toyota Corolla (2014), netcarshow.com <<http://www.netcarshow.com/toyota/2014-corolla/>>, available at least as early as May 7, 2015.
Renault, Renault Clio (2013), netcarshow.com <<http://www.netcarshow.com/renault/2013-clio/>>, available at least as early as May 7, 2015.
Audi, Audi TTS Roadster (2015), netcarshow.com <http://www.netcarshow.com/audi/2015-tts_roadster/>, available at least as early as May 7, 2015.

* cited by examiner
Primary Examiner — Marcus Jackson
(74) *Attorney, Agent, or Firm* — Saidman DesignLaw Group, LLC

(57) **CLAIM**
The ornamental design for a front combination lamp for an automobile, as shown and described.

DESCRIPTION
FIG. 1 is a perspective view of a front combination lamp for an automobile showing my new design;
FIG. 2 is a front view thereof;
FIG. 3 is a rear view thereof;
FIG. 4 is a top view thereof;
FIG. 5 is a bottom view thereof;
FIG. 6 is a left side view thereof; and,
FIG. 7 is a right side view thereof.
The claimed design is indicated by the relatively dark portions in the figures. The relatively light portions form no part of the claimed design.

1 Claim, 5 Drawing Sheets



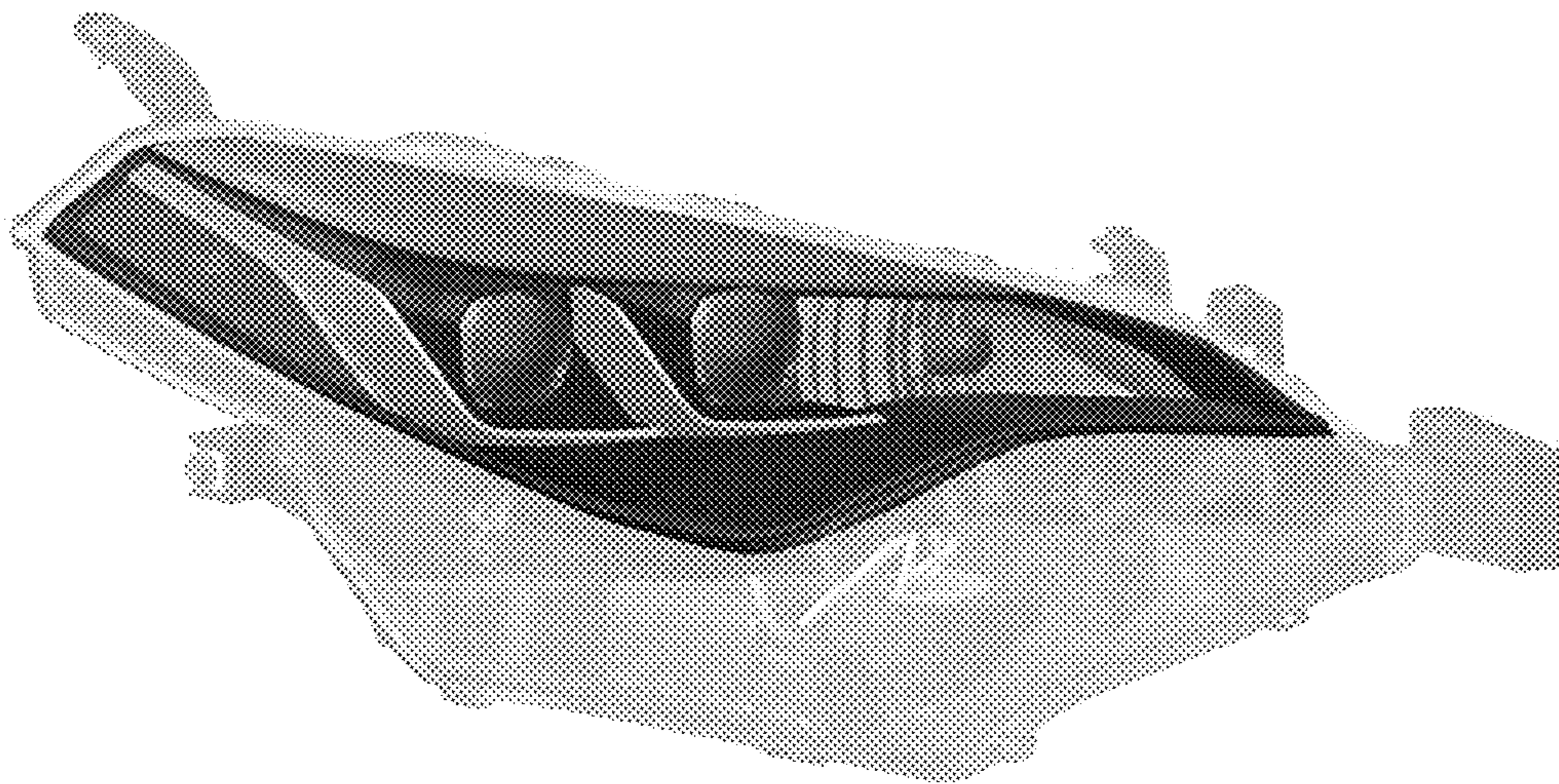


Fig. 1

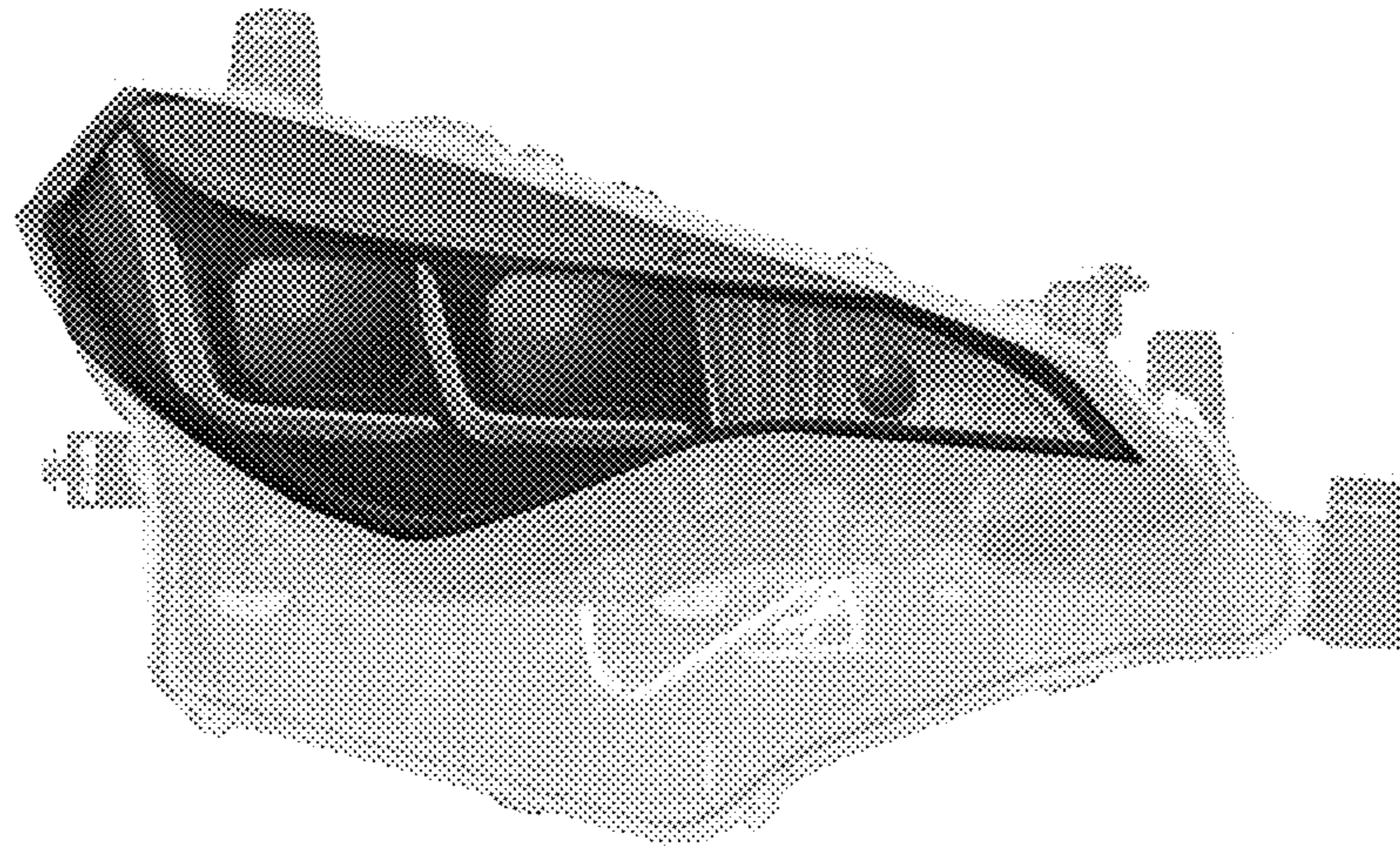


Fig. 2

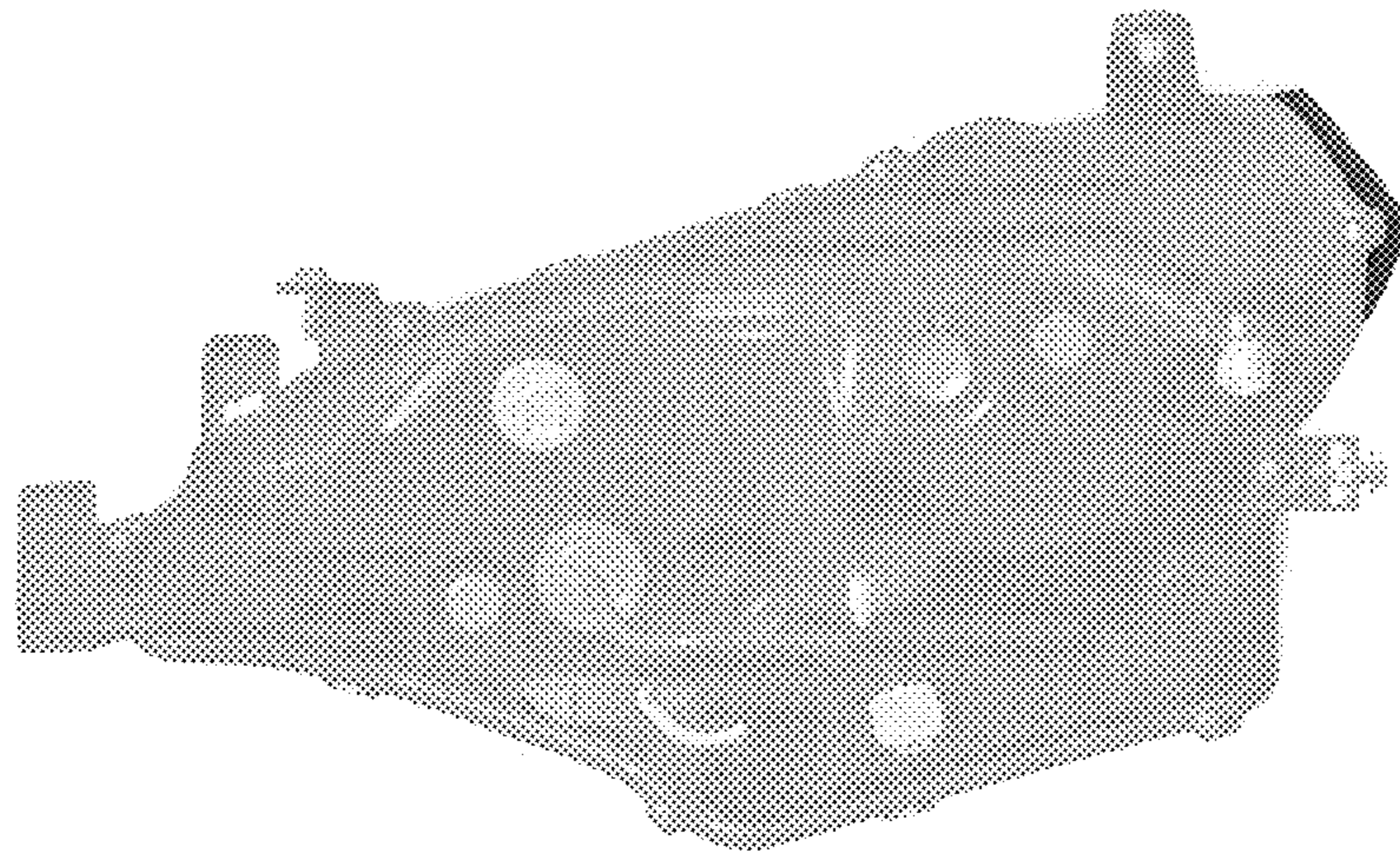


Fig. 3

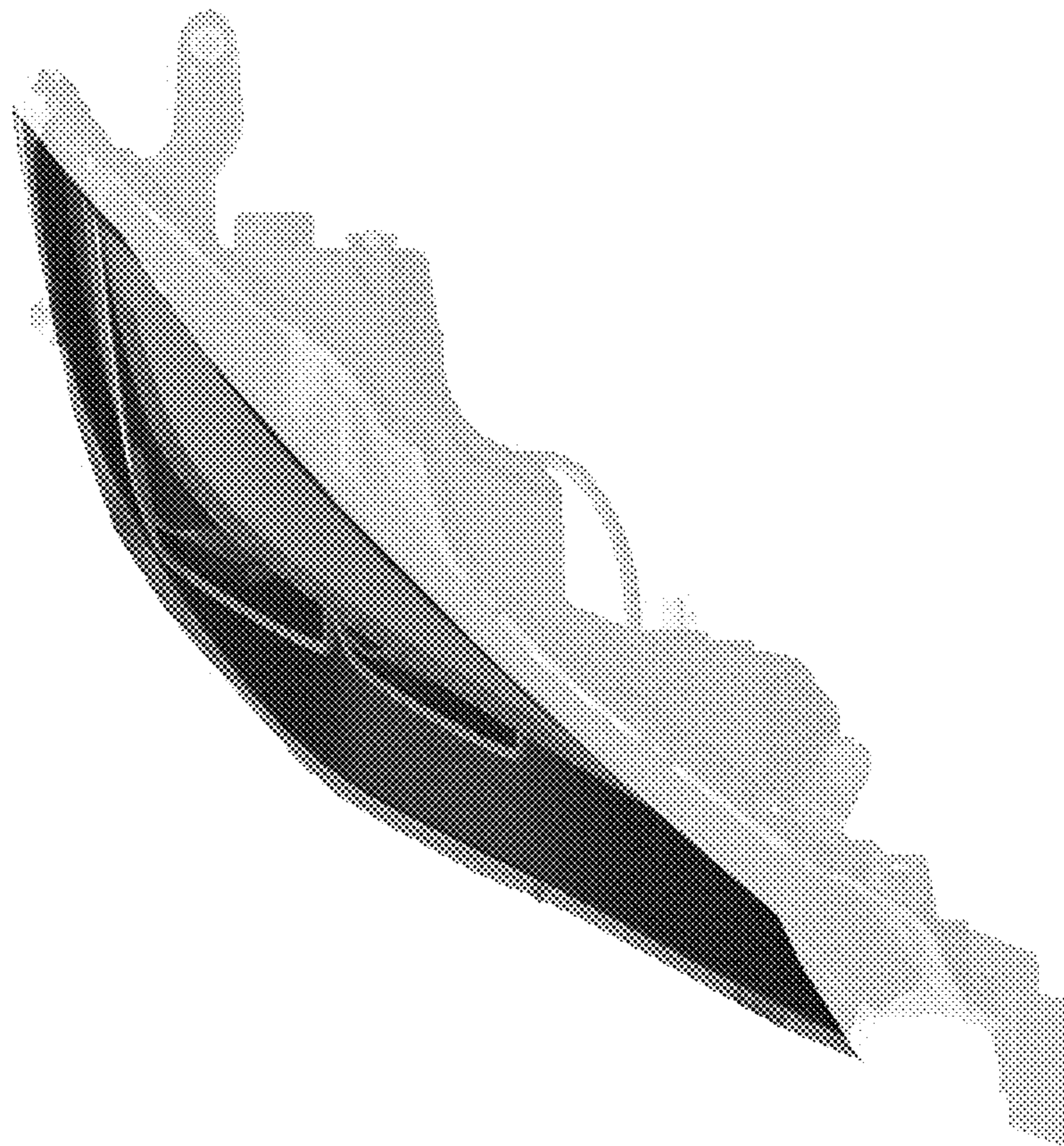


Fig. 4

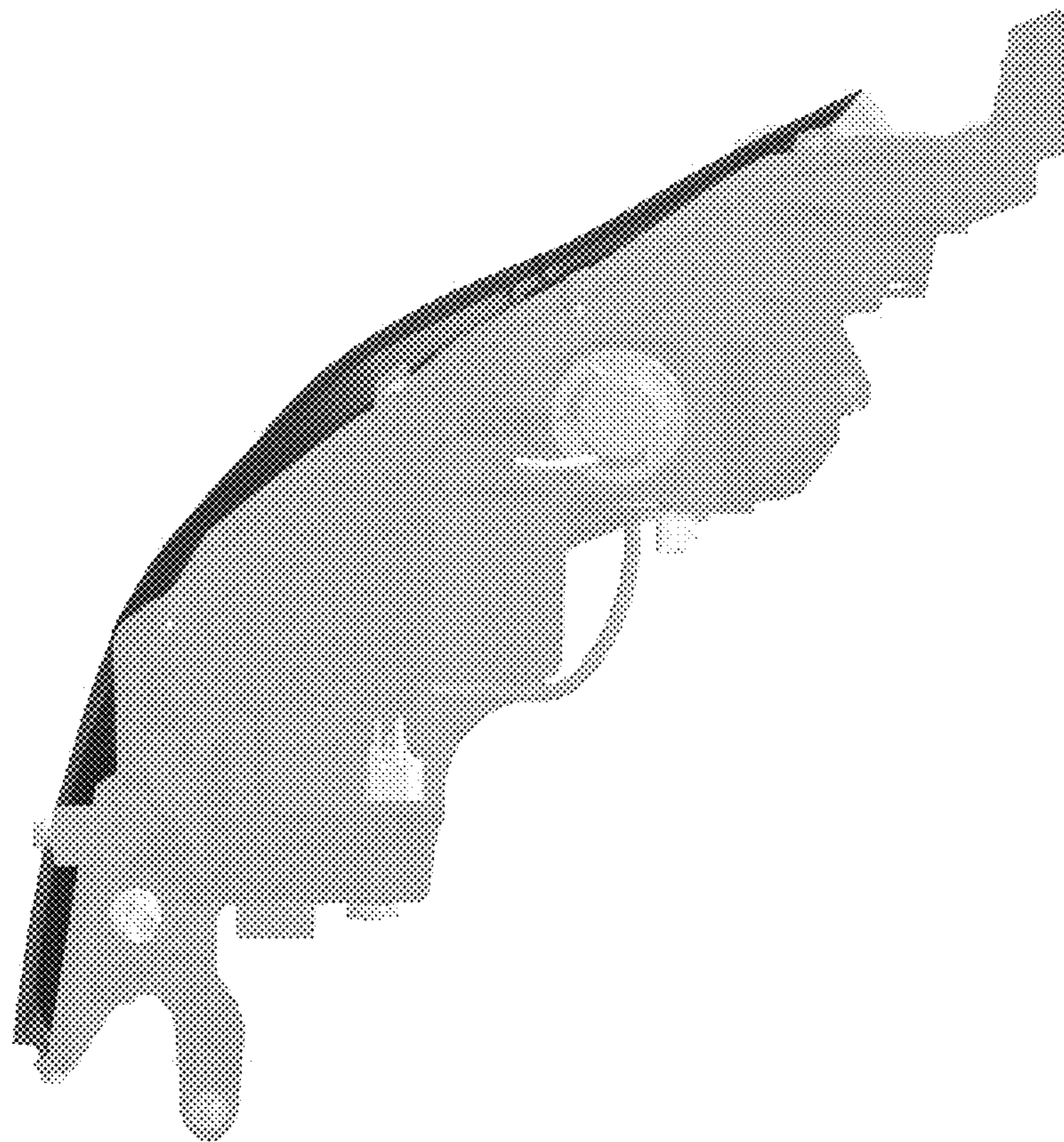


Fig. 5

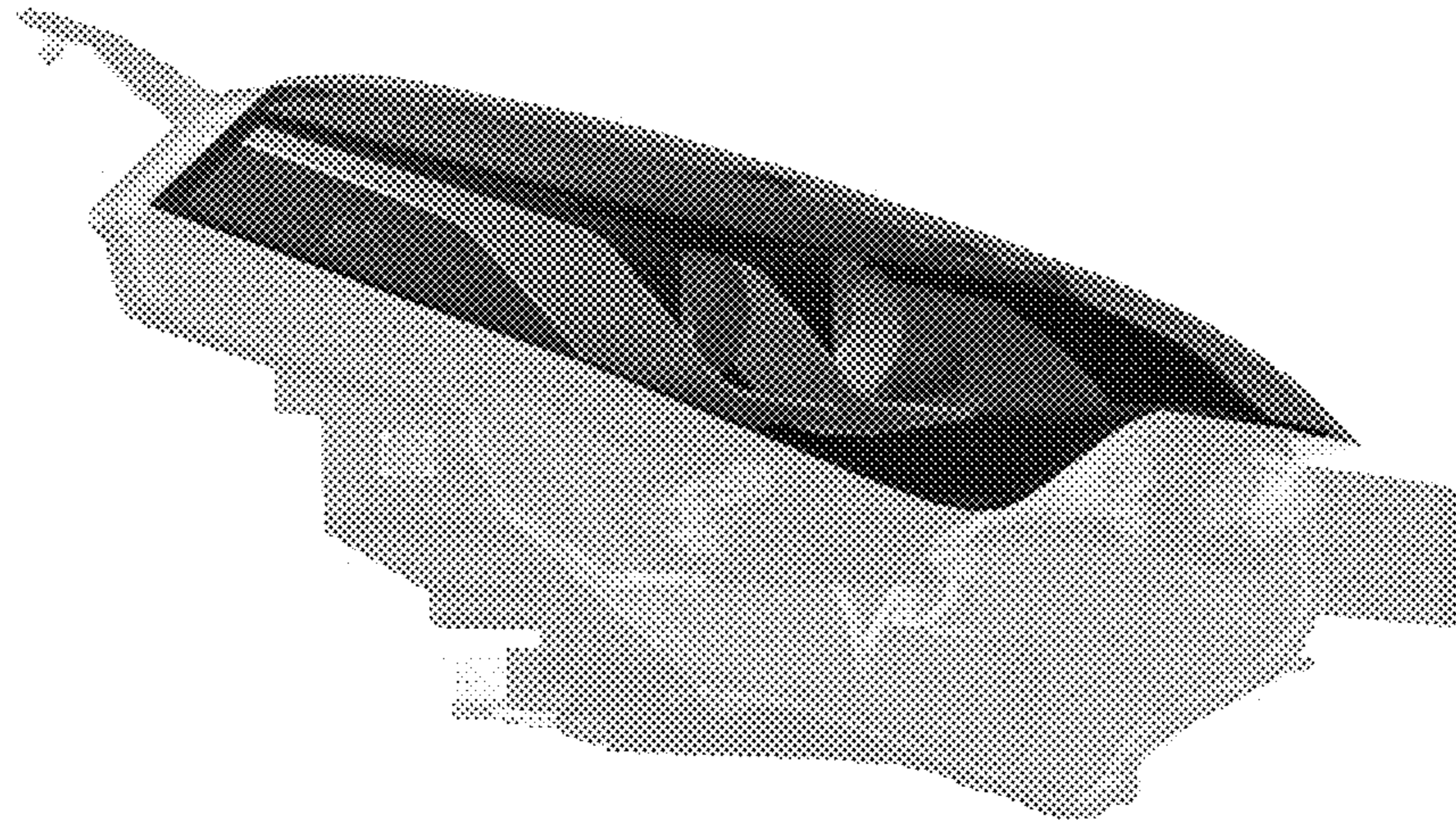


Fig. 6

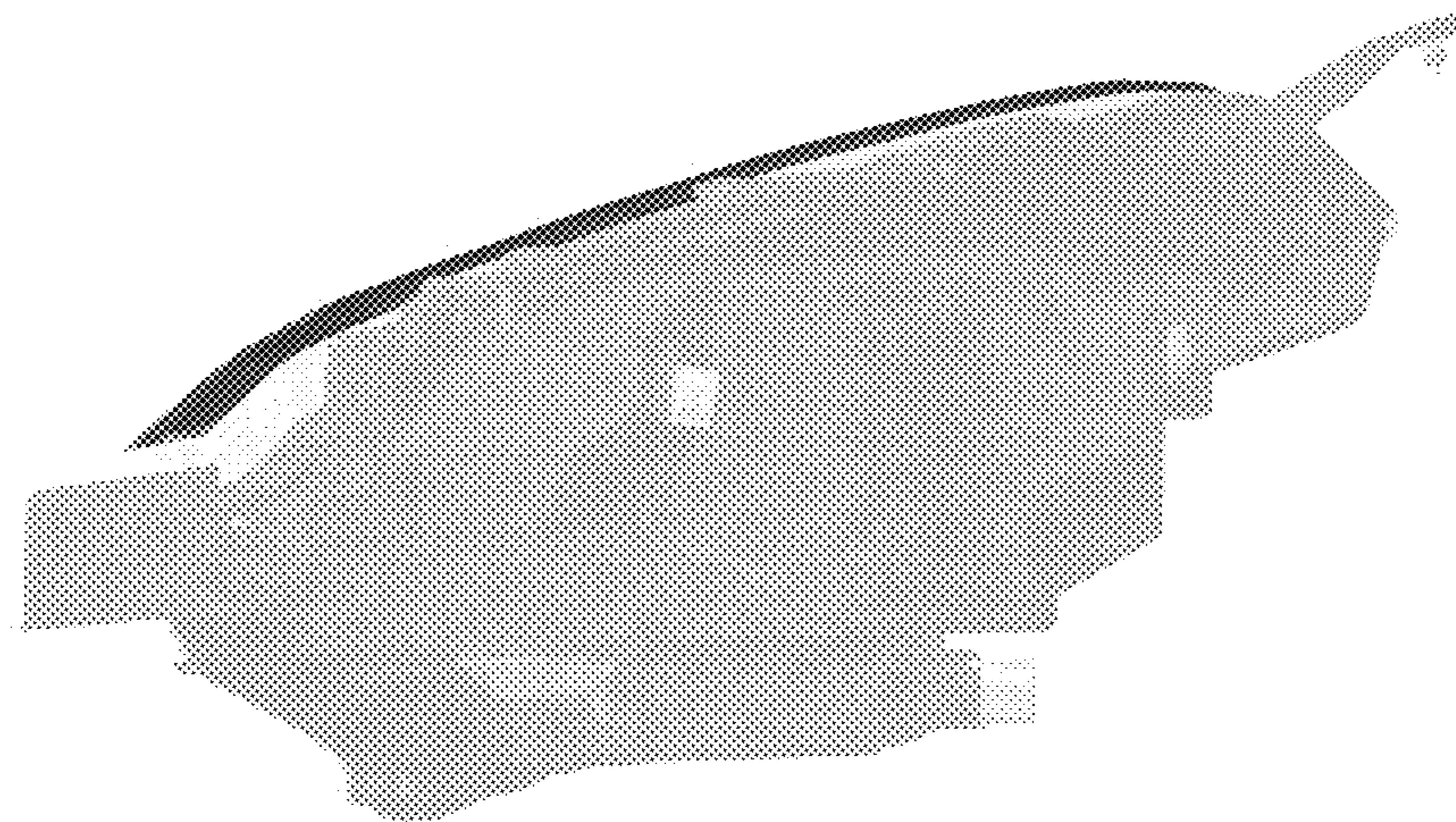


Fig. 7