



US00D781470S

(12) **United States Design Patent**  
**Hsieh et al.**

(10) **Patent No.:** **US D781,470 S**  
(45) **Date of Patent:** **\*\* Mar. 14, 2017**

(54) **LOW-PROFILE AQUARIUM LIGHT WITH VENTILATING SLOTS**

**DESCRIPTION**

(71) Applicants: **Yen-Ta Hsieh**, Kaohsiung (TW);  
**Shu-Hui Chang**, Kaohsiung (TW);  
**Cheng-Ting Yen**, Tainan (TW);  
**Jui-Hung Cheng**, Kaohsiung (TW)

FIG. 1 is a front perspective view of the low-profile aquarium light with ventilating slots, showing the top surface of the light. The dashed lines illustrate unclaimed structure.

(72) Inventors: **Yen-Ta Hsieh**, Kaohsiung (TW);  
**Shu-Hui Chang**, Kaohsiung (TW);  
**Cheng-Ting Yen**, Tainan (TW);  
**Jui-Hung Cheng**, Kaohsiung (TW)

FIG. 2 is a rear perspective view thereof, also showing the top surface of the light. The dashed lines illustrate unclaimed structure.

(73) Assignee: **DiCon Fiberoptics, Inc.**, Richmond, CA (US)

FIG. 3 is a rear perspective view thereof, showing the bottom surface of the light. The dashed lines illustrate unclaimed structure.

(\*\*) Term: **15 Years**

FIG. 4 is a front perspective view thereof, also showing the bottom surface of the light. The dashed lines illustrate unclaimed structure.

(21) Appl. No.: **29/549,447**

FIG. 5 is a top view thereof. The dashed lines illustrate unclaimed structure.

(22) Filed: **Dec. 22, 2015**

FIG. 6 is a front view thereof.

(51) **LOC (10) Cl.** ..... **26-01**

FIG. 7 is a rear view thereof. The dashed circle on the left side of the figure illustrates unclaimed structure.

(52) **U.S. Cl.**  
USPC ..... **D26/24; D26/51**

FIG. 8 is a bottom view thereof. The dashed lines illustrate unclaimed structure; and,

(58) **Field of Classification Search**  
USPC ..... D26/1, 24, 51

FIGS. 9 and 10 are side views thereof. The dashed lines in both figures illustrate unclaimed structure.

(Continued)

The broken or dashed lines in FIGS. 1-5 and FIGS. 7-10 illustrate unclaimed structure. For information purposes, the first unclaimed structure, as shown in FIGS. 1-5 and FIGS. 7-8, represents the strain-relief boot of the power cord for the light, which is attached to the rear surface of the light. (Note that in FIG. 7, this unclaimed structure is represented by a simple dashed circle.) Also, FIGS. 1-4 and FIGS. 9-10 show additional unclaimed structure on the sides or ends of the light, representing mounting holes for a pair of mounting brackets (the brackets themselves are not shown). This unclaimed structure is shown most clearly in the side views of the light, FIGS. 9 and 10.

(56) **References Cited**

**U.S. PATENT DOCUMENTS**

D690,839 S \* 10/2013 Wang ..... D26/24  
D690,845 S \* 10/2013 Wang ..... D26/24

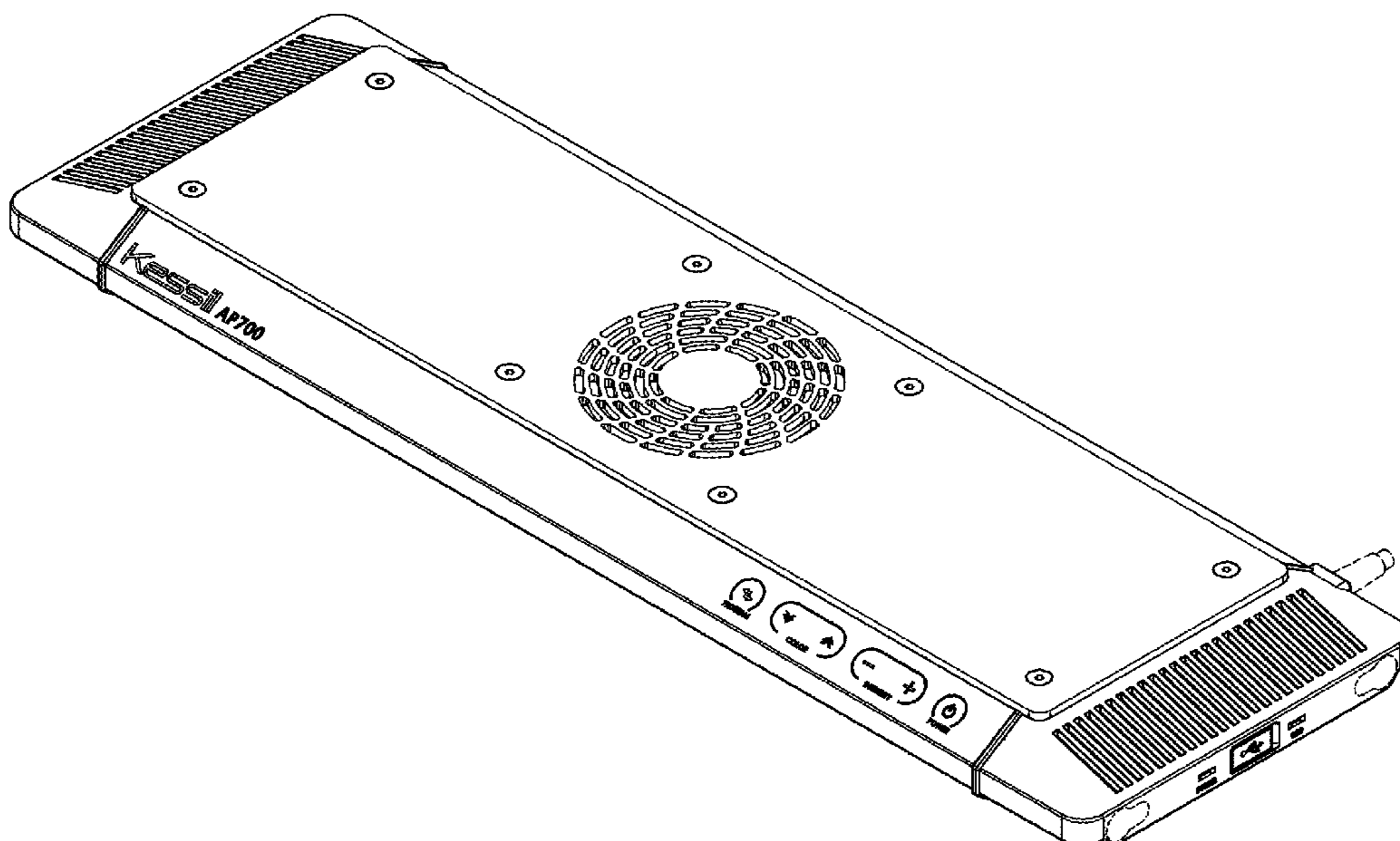
(Continued)

*Primary Examiner* — Brian N Vinson

(57) **CLAIM**

The ornamental design for a low-profile aquarium light with ventilating slots, as shown and described.

**1 Claim, 7 Drawing Sheets**



(58) **Field of Classification Search**

CPC .. F21S 8/00; F21V 21/00; F21V 33/00; F21V  
33/008; F21W 2121/00; F21W 2131/30  
See application file for complete search history.

(56) **References Cited**

U.S. PATENT DOCUMENTS

D690,846 S \* 10/2013 Wang ..... D26/24  
D690,847 S \* 10/2013 Wang ..... D26/24

\* cited by examiner

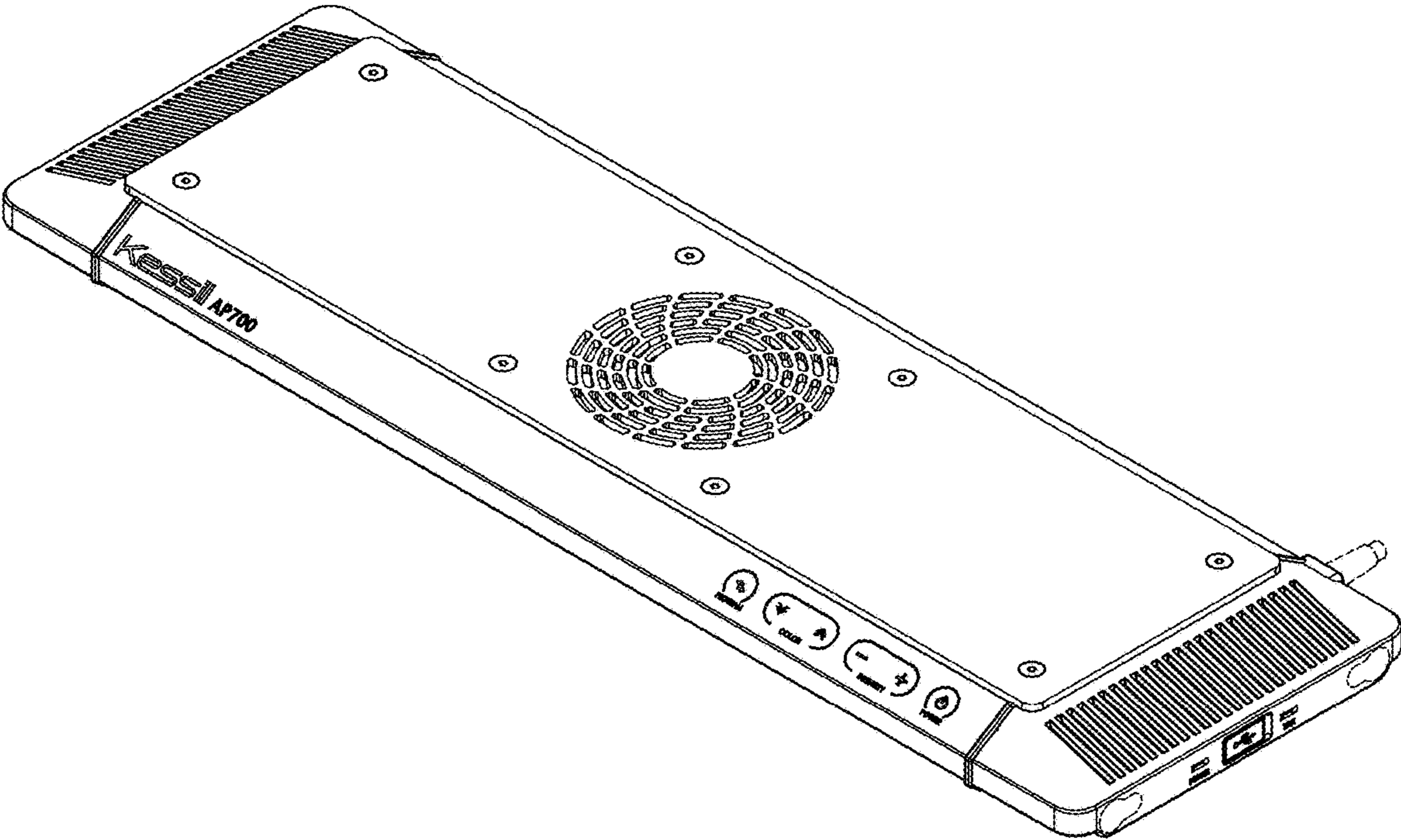


FIG. 1

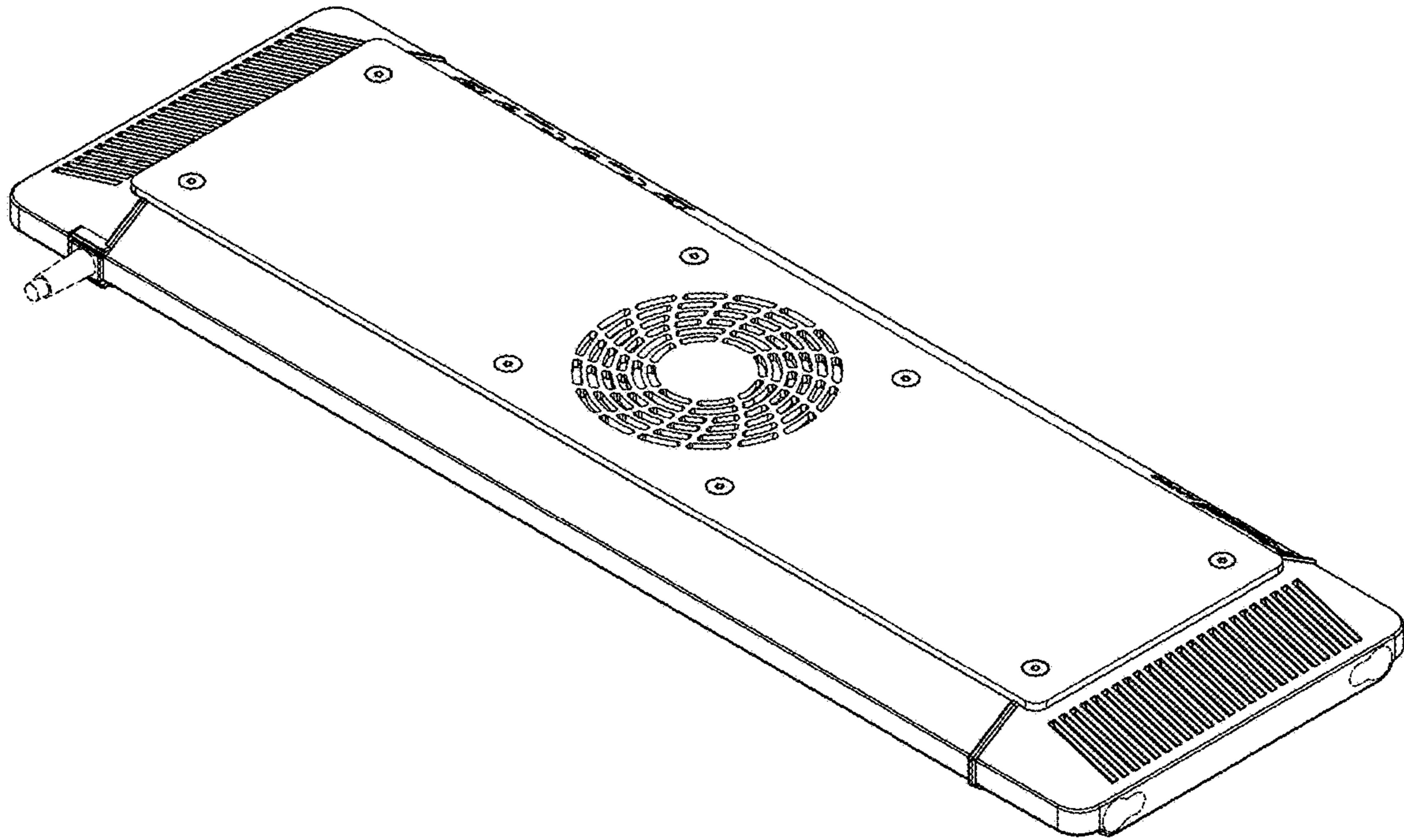


FIG. 2



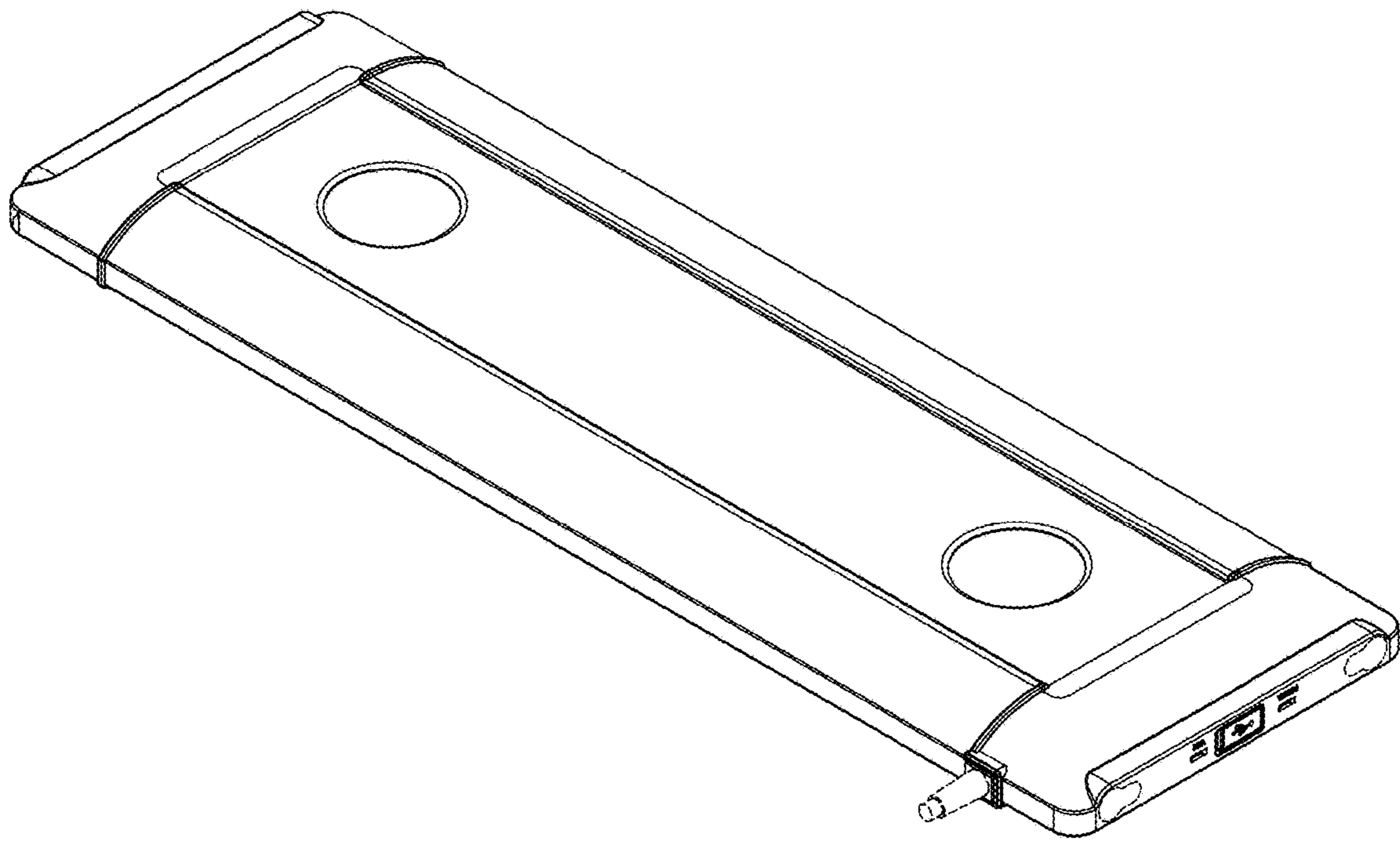


FIG. 3

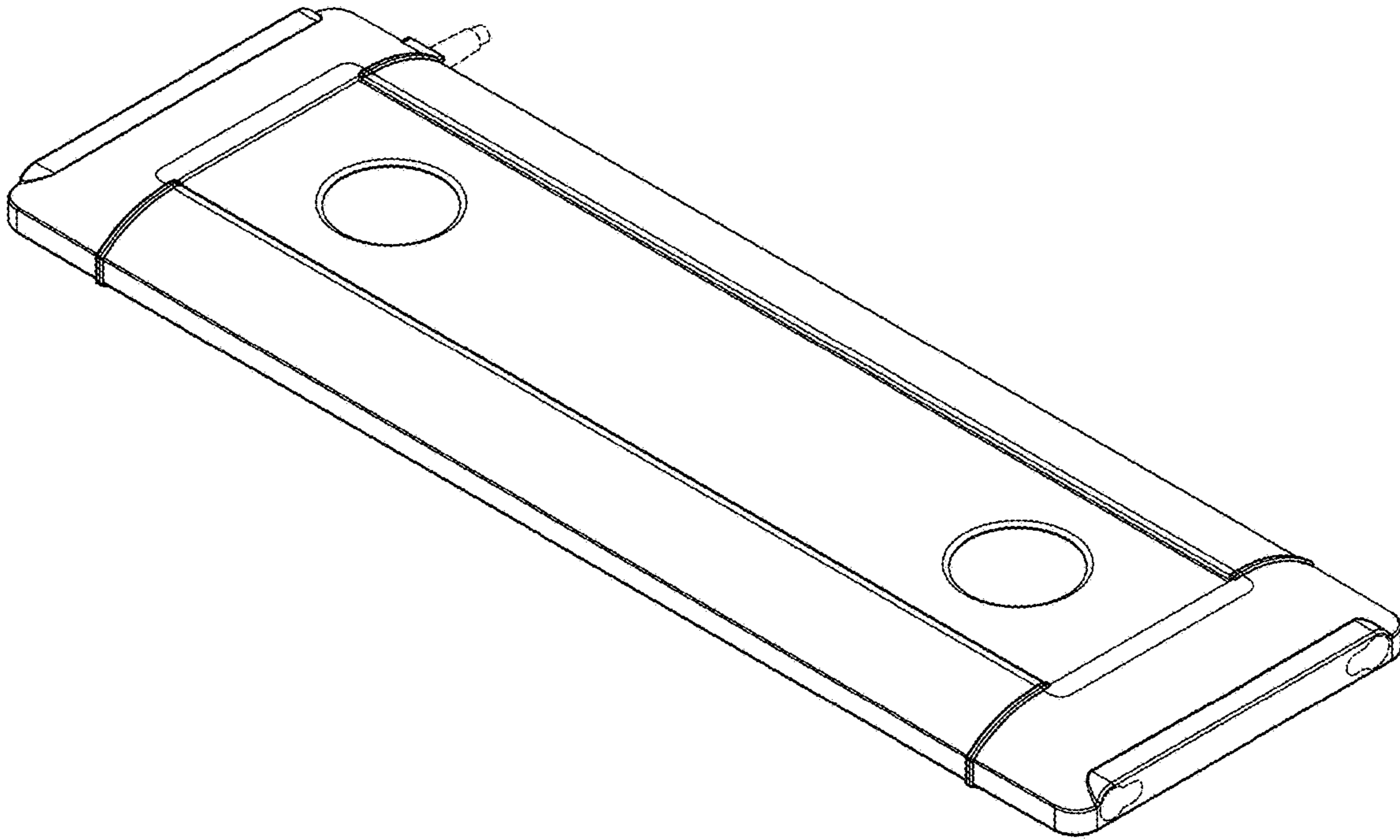


FIG. 4

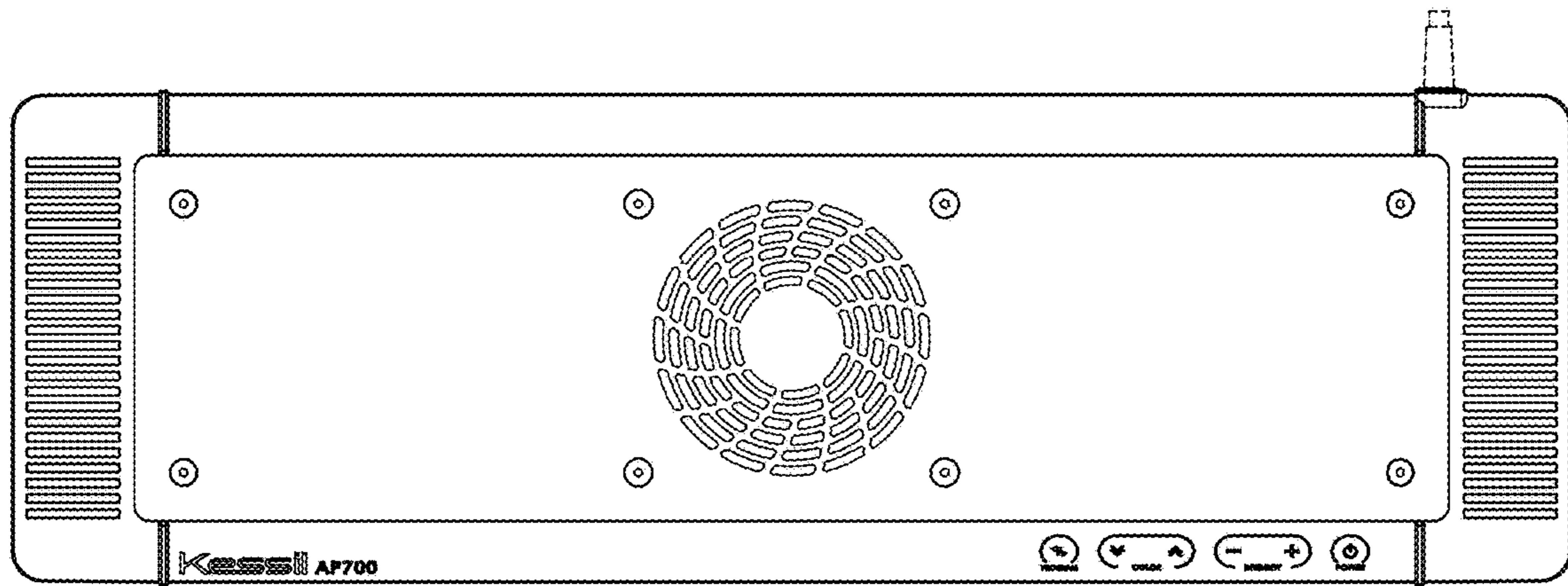


FIG. 5



FIG. 6



FIG. 7

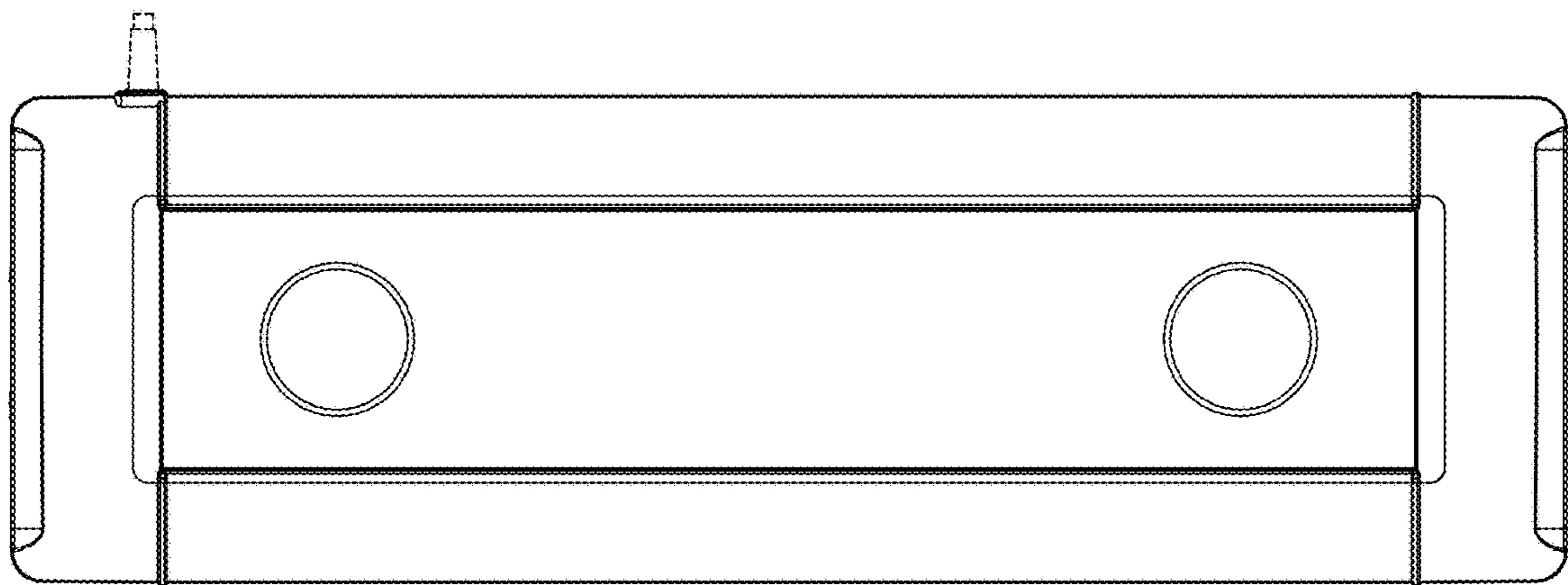


FIG. 8



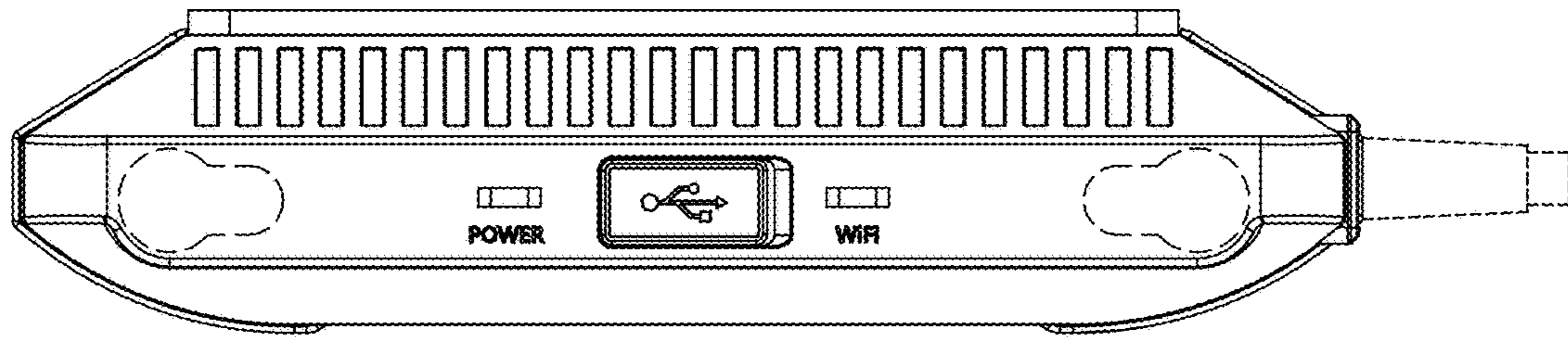


FIG. 9

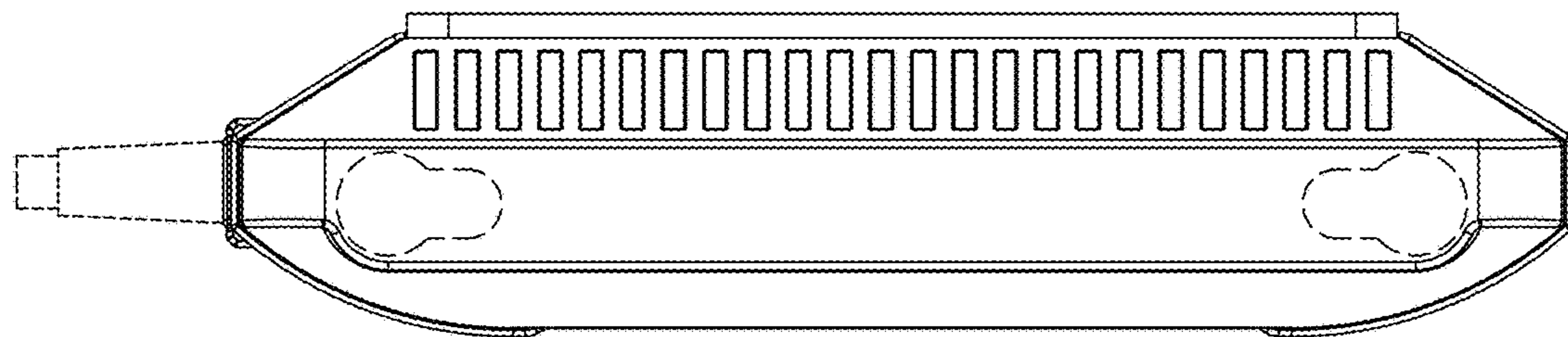


FIG. 10